



US00D438035S

(12) **United States Design Patent**
Skalka

(10) **Patent No.:** **US D438,035 S**

(45) **Date of Patent:** **** Feb. 27, 2001**

(54) **MODULAR CHAIR COMPONENT**

(75) **Inventor:** **Gerald P. Skalka, Potomac, MD (US)**

(73) **Assignee:** **Victor Stanley, Inc., Dunkirk, MD (US)**

(**) **Term:** **14 Years**

(21) **Appl. No.:** **29/099,046**

(22) **Filed:** **Jan. 12, 1999**

(51) **LOC (7) Cl.** **06-01**

(52) **U.S. Cl.** **D6/500**

(58) **Field of Search** D6/334, 366, 368,
D6/369, 370, 374, 376, 379, 380, 381,
500, 501, 502; 297/452.46, 452.63, 232

(56) **References Cited**

U.S. PATENT DOCUMENTS

D. 185,164	5/1959	Molla .	
D. 185,540	6/1959	Everly .	
D. 216,115	11/1969	Suzuki .	
D. 224,634	* 8/1972	Kohl et al.	D6/358
D. 225,946	1/1973	Morrison et al. .	
D. 229,591	12/1973	Trail et al. .	
D. 233,964	12/1974	Morrison et al. .	
D. 247,597	3/1978	Glaser .	
D. 264,151	5/1982	Sauls et al. .	
D. 296,628	7/1988	Glass .	
D. 314,677	2/1991	Hanna .	
D. 327,586	7/1992	Skalka .	
D. 341,267	11/1993	Caldwell .	
D. 345,869	4/1994	Grosfillex .	
D. 376,271	12/1996	Skalka .	
D. 381,536	* 7/1997	Kane	D6/500
D. 383,615	9/1997	Skalka .	

D. 383,627	* 9/1997	Kane	D6/500
D. 384,512	10/1997	Skalka .	
D. 385,442	* 10/1997	Kane	D6/500
D. 386,012	11/1997	Skalka .	
D. 386,333	* 11/1997	Kane	D6/500
D. 407,570	* 4/1999	Frauenberger	D6/368
5,083,838	* 1/1992	Maxwell, Jr.	297/323

* cited by examiner

Primary Examiner—Doris V. Coles

Assistant Examiner—Mimosa De

(74) *Attorney, Agent, or Firm*—Jacobson, Price, Holman & Stern, PLLC

(57) **CLAIM**

The ornamental design for a modular chair component, as shown and described.

DESCRIPTION

FIG. 1 is a perspective view of a modular chair component showing a first embodiment of my new design.

FIG. 2 is a cross-sectional view of the modular chair component of FIG. 1, taken along line 2—2 of FIG. 1.

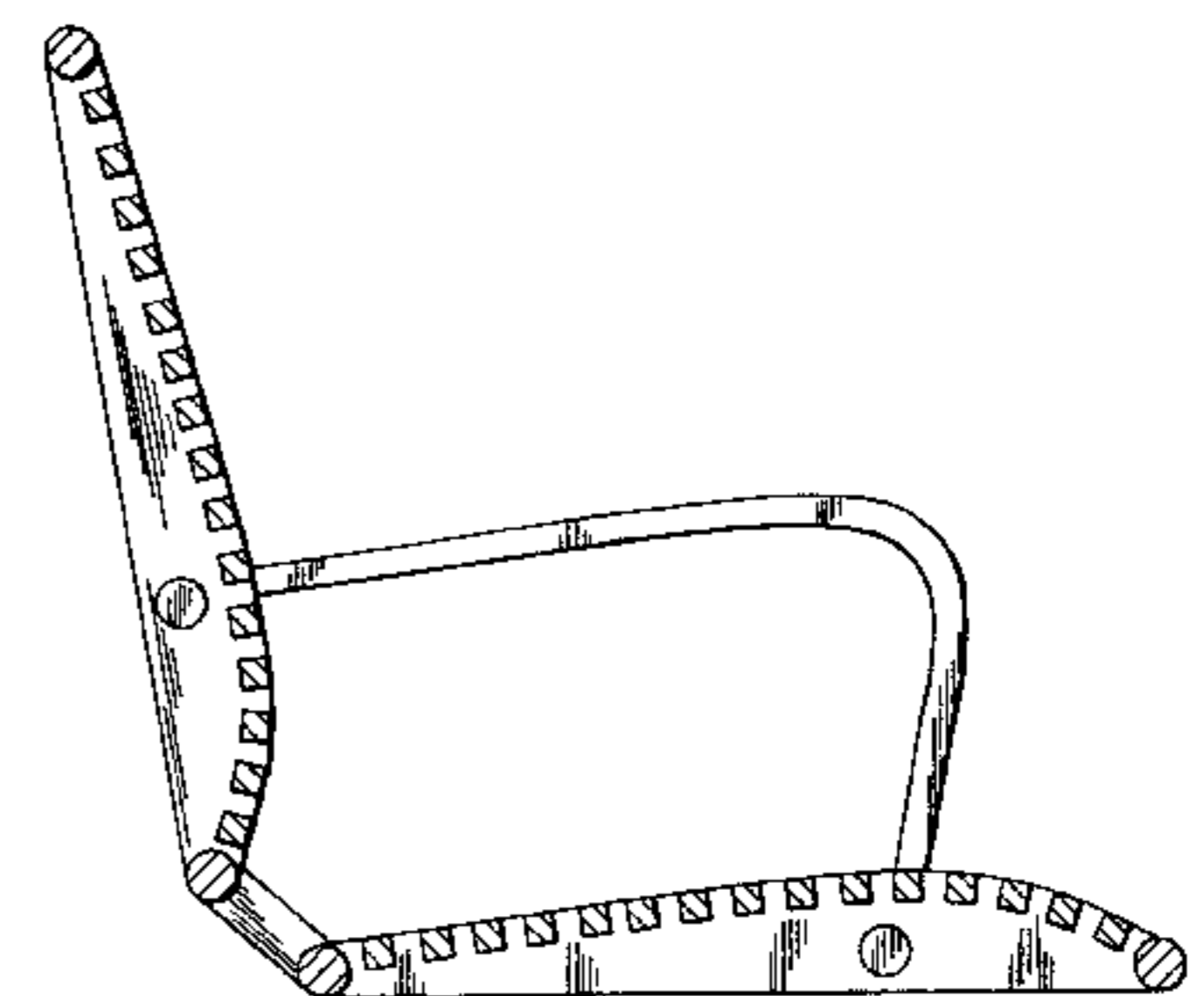
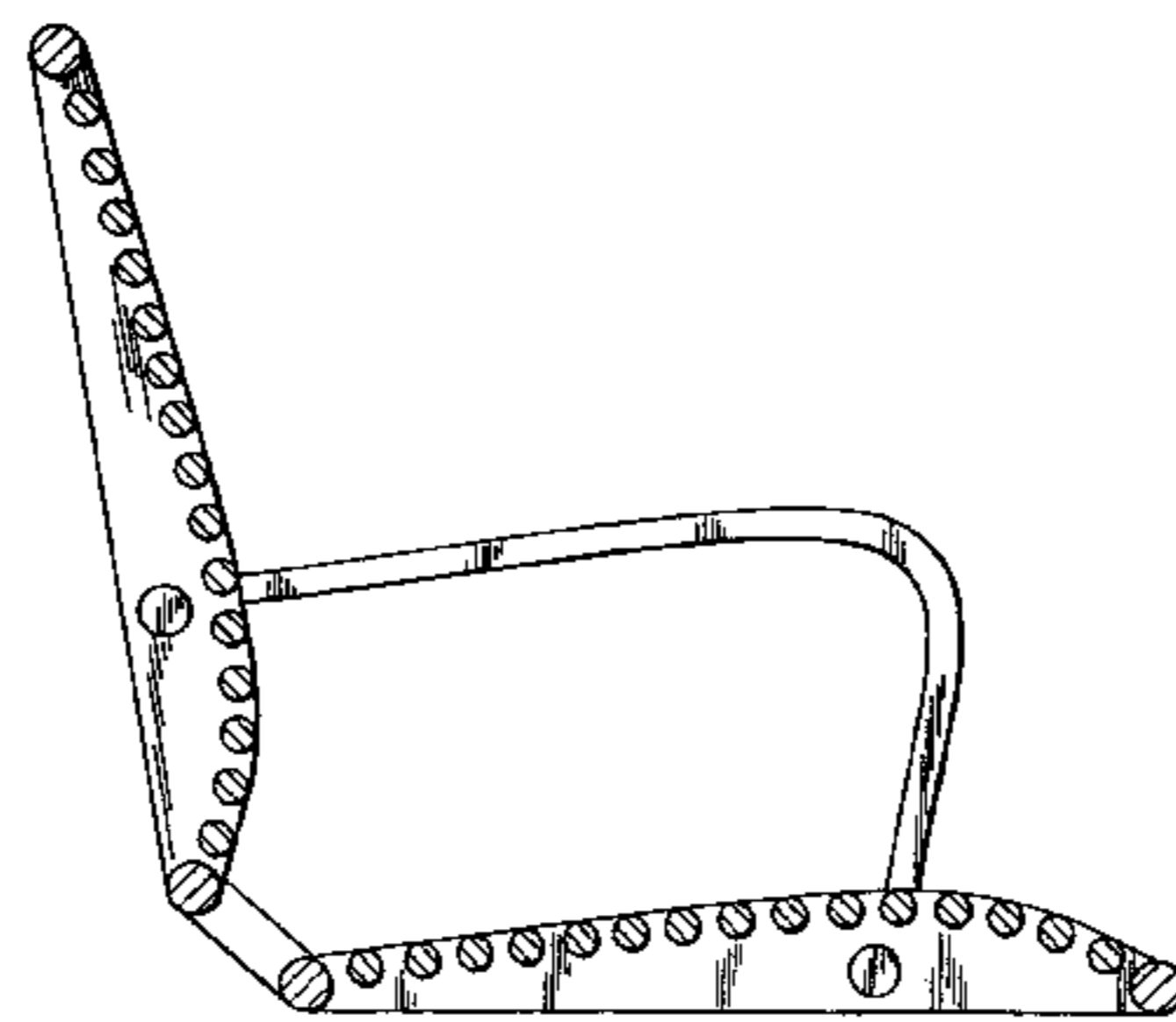
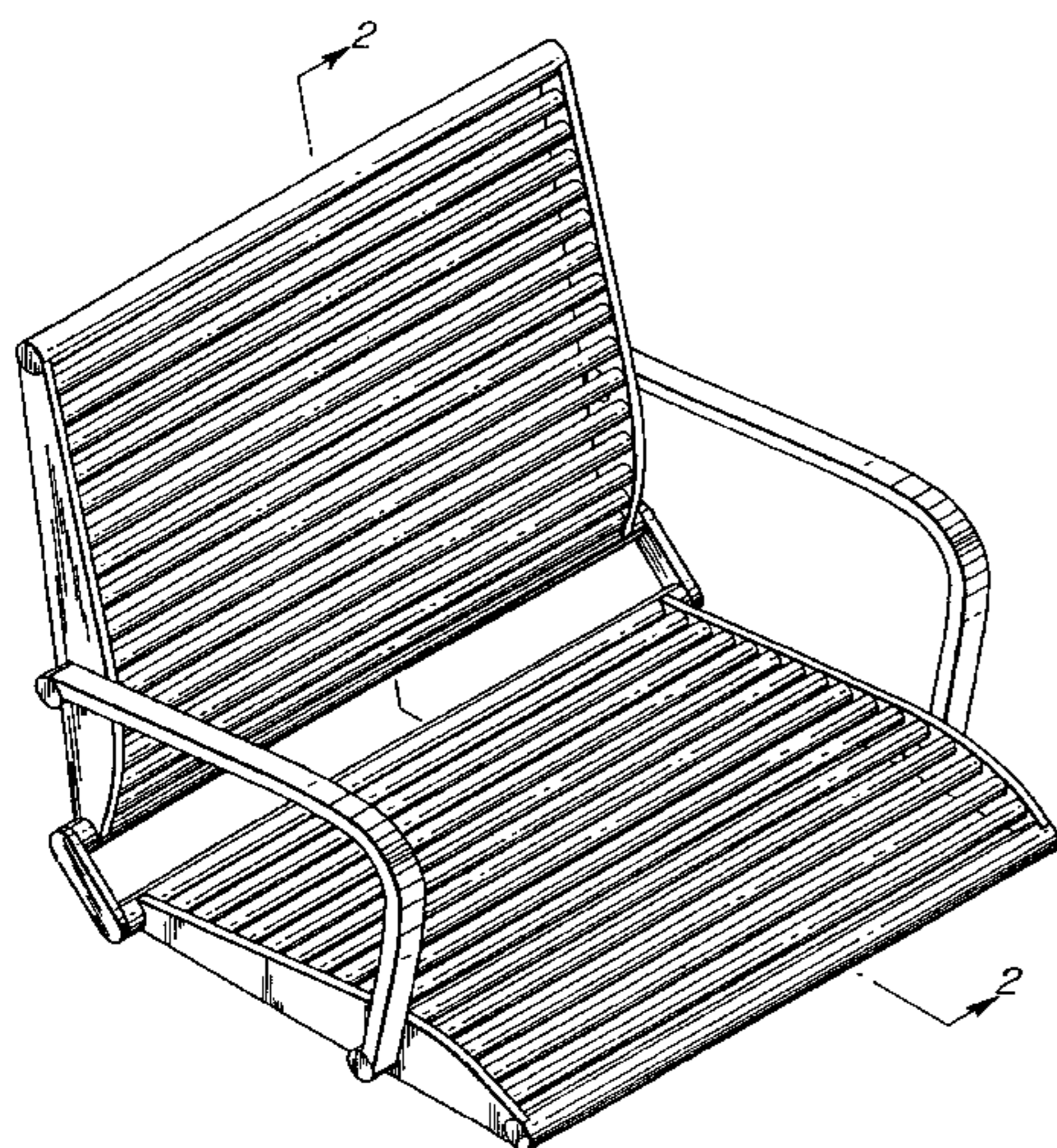
FIG. 3 is a front elevational view of the modular chair component of FIG. 1.

FIG. 4 is a right side elevational view of the modular chair component of FIG. 1, the left side view being a mirror image thereof.

FIG. 5 is a perspective view of a modular chair component showing a second embodiment of my new design, in which the frame is identical to the frame of the embodiment of FIG. 1, but the filler supported by the frame is different; and,

FIG. 6 is a cross-sectional view of the modular chair component of FIG. 5, taken along line 6—6 of FIG. 5.

1 Claim, 3 Drawing Sheets



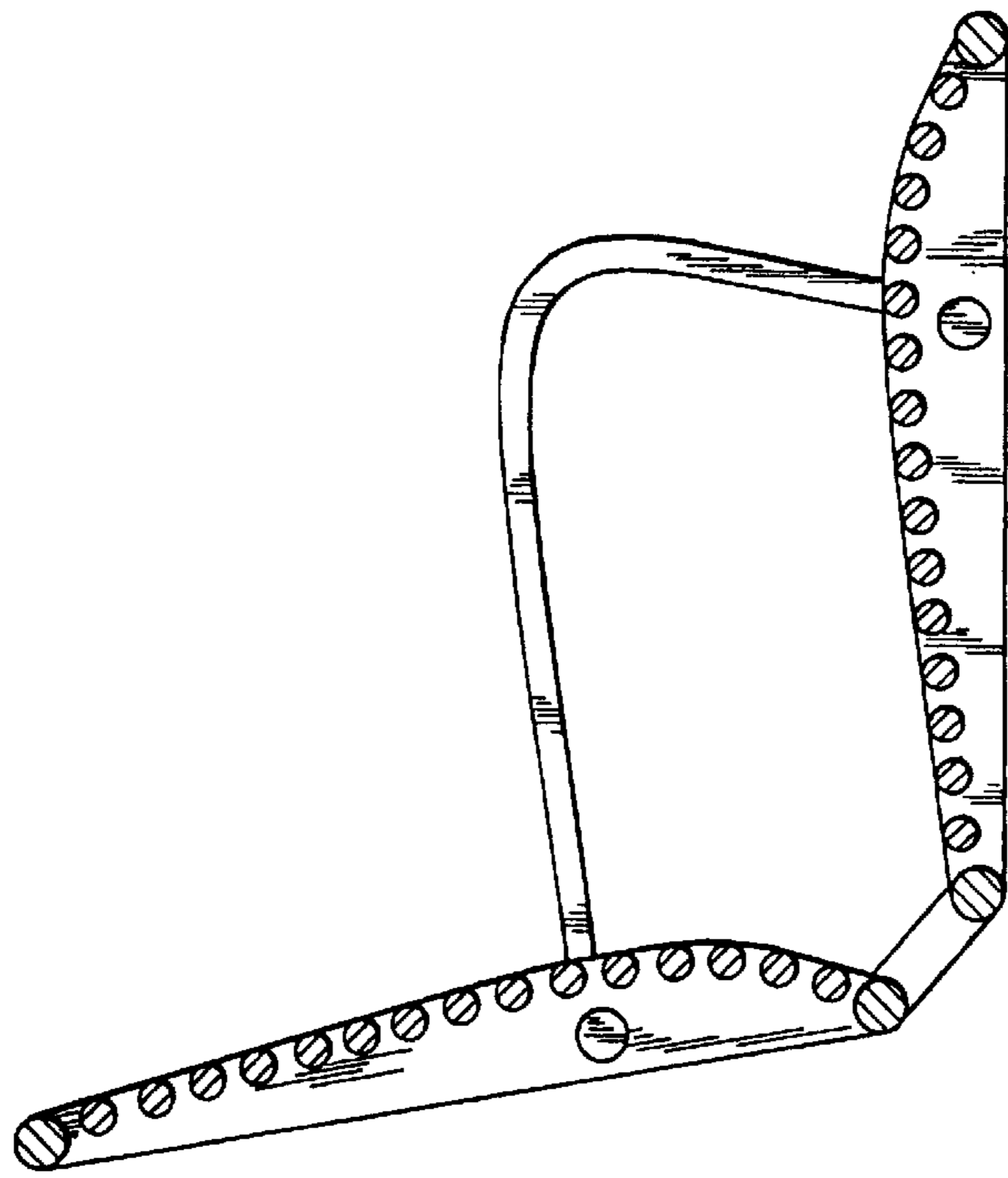


FIG. 2

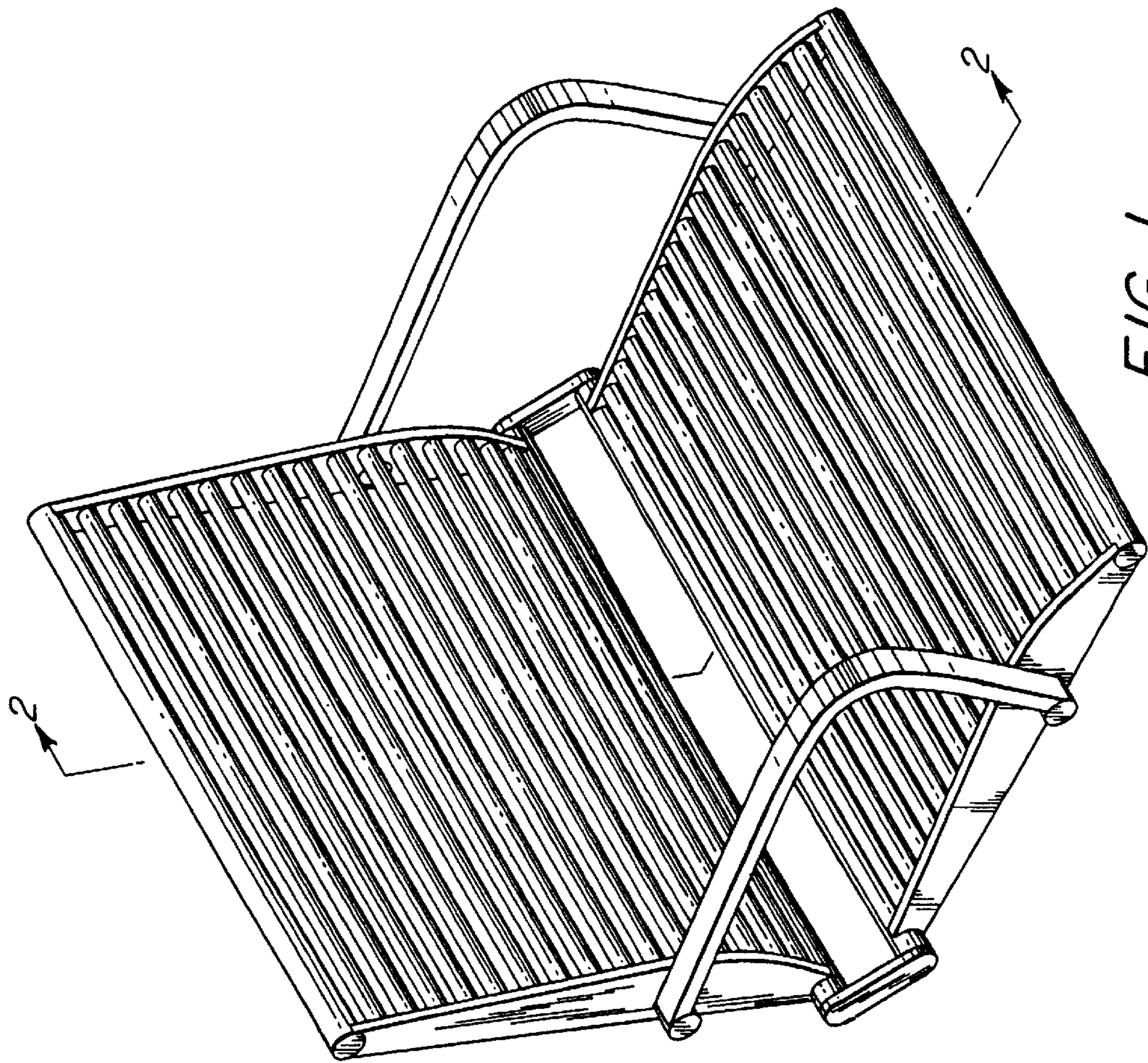


FIG. 1

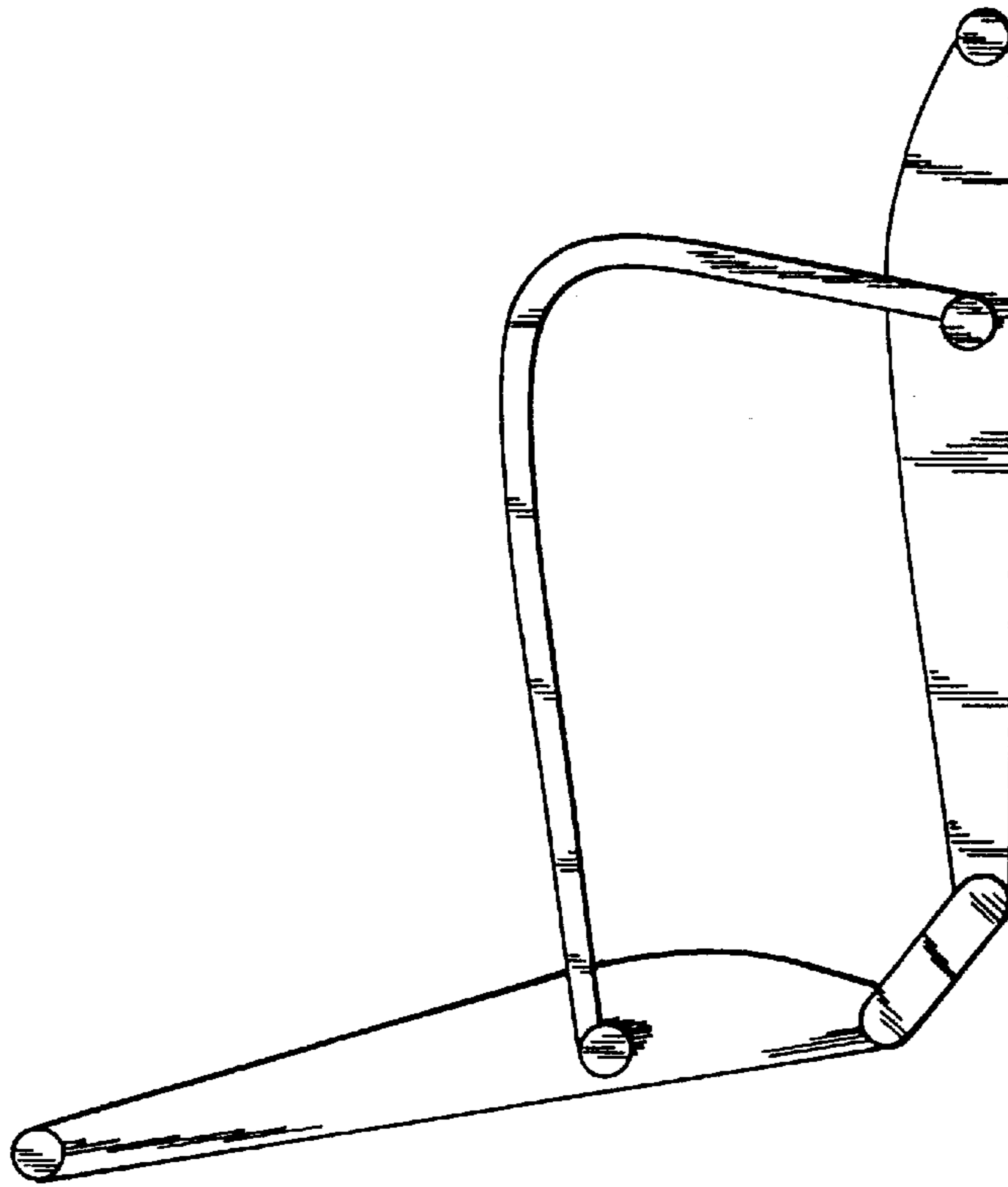


FIG. 4

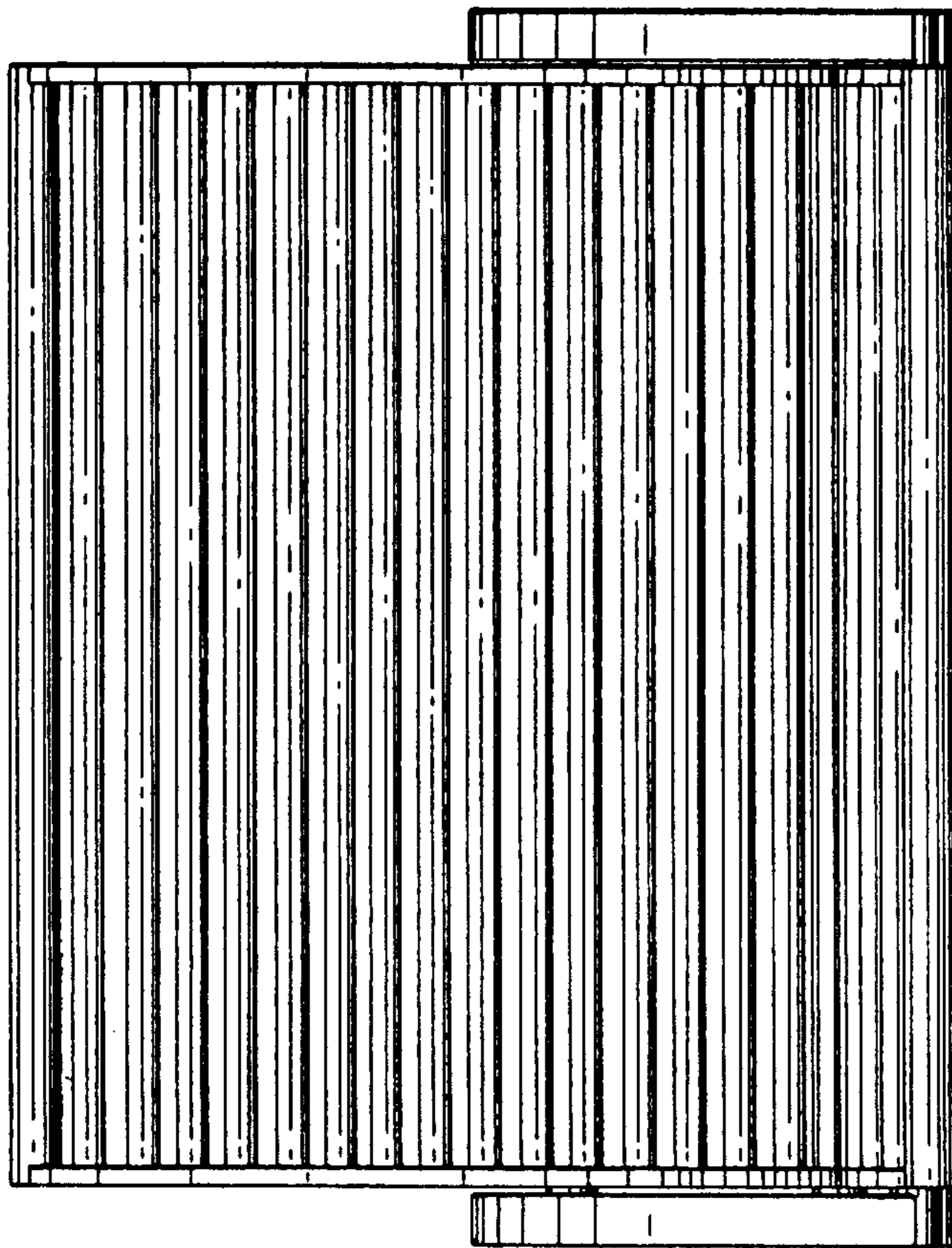


FIG. 3

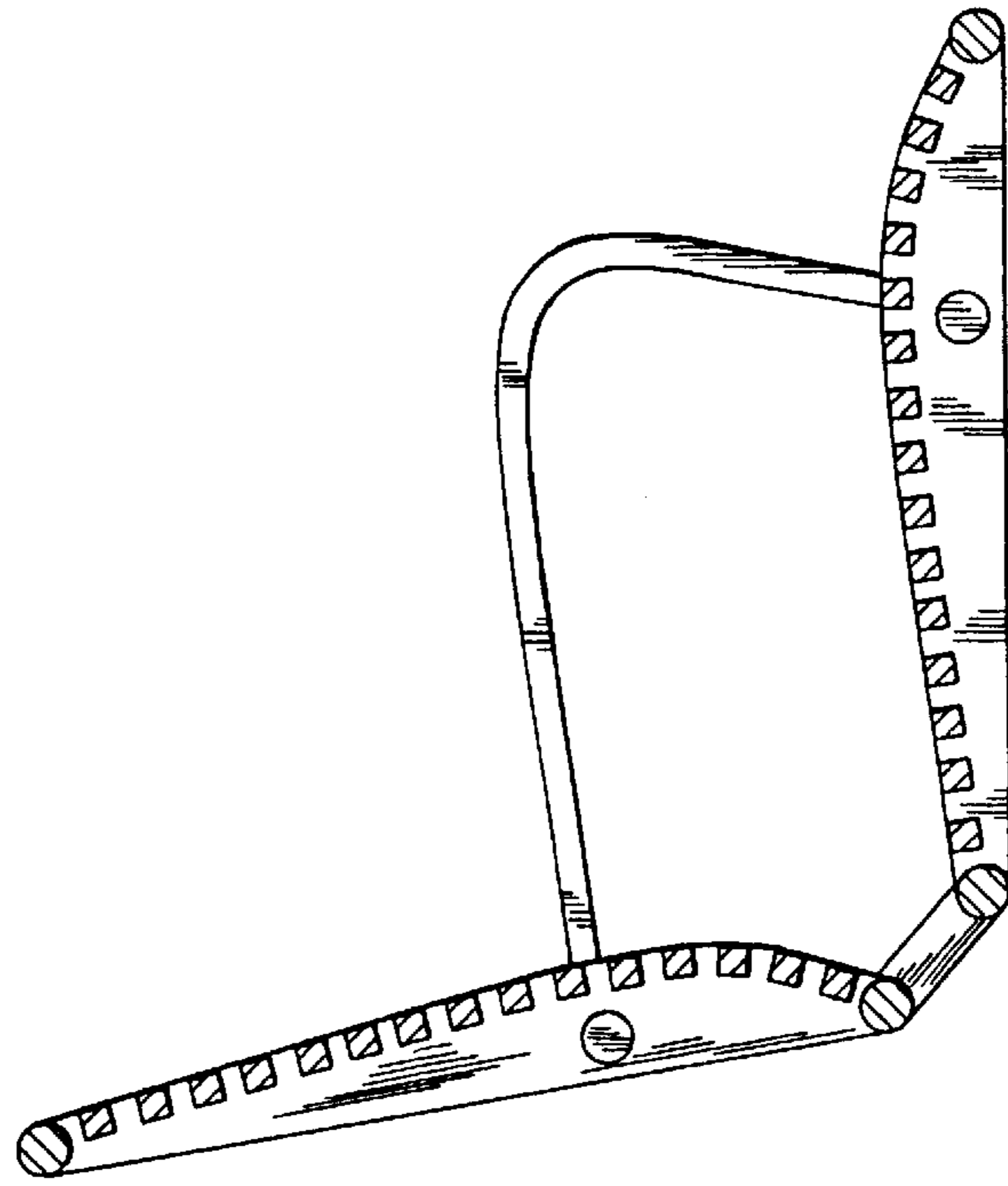


FIG. 6

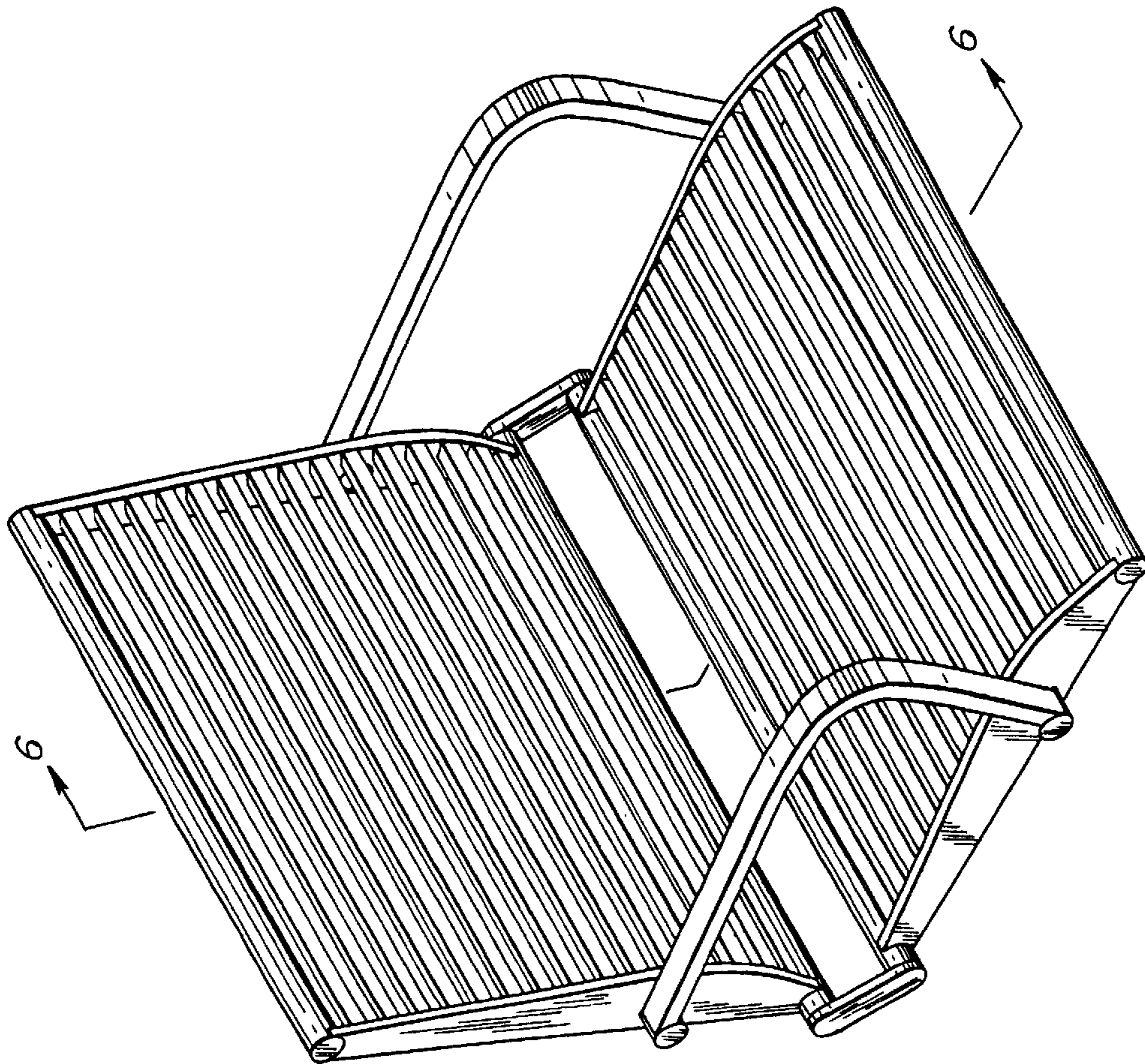


FIG. 5