



US00D438029S

(12) **United States Design Patent**
Brey et al.

(10) **Patent No.:** **US D438,029 S**

(45) **Date of Patent:** **** Feb. 27, 2001**

(54) **MEALTIME LAP TRAY**

(76) Inventors: **Amy M. Brey**, Box 273, Eskridge, KS
(US) 66423; **Cyndi R. Fruits**, Rte. 1,
Box 158, Eskridge, KS (US) 66413

(**) Term: **14 Years**

(21) Appl. No.: **29/112,615**

(22) Filed: **Oct. 20, 1999**

(51) **LOC (7) Cl.** **06-06**

(52) **U.S. Cl.** **D6/406.3; D7/553.5; D7/553.2**

(58) **Field of Search** D6/406.3, 406.4,
D6/406.5, 406.6, 511; D7/553.4, 553.3,
553.2, 553.5, 545; D12/416; D19/92; 108/43,
44; 297/148; 100/42

(56) **References Cited**

U.S. PATENT DOCUMENTS

D. 282,218	*	1/1986	Catelli	D21/522
D. 288,513	*	3/1987	Shelly	D7/555
D. 359,862	*	7/1995	Rousch	D6/406.6
D. 405,621	*	2/1999	Myers	D6/406.2
2,039,922		5/1936	Neats et al.		
3,361,091		1/1968	Inman		
4,765,583		8/1988	Tenner		

4,795,210	1/1989	Milat	.
5,209,370	5/1993	Pickett et al.	.
5,460,102	10/1995	Pasmanick	.
5,520,119	5/1996	Eisenberg	.
5,850,956	12/1998	Hayward, Jr.	.
5,862,933	1/1999	Neville	.

* cited by examiner

Primary Examiner—M. N. Pandozzi

(74) *Attorney, Agent, or Firm*—Shughart Thomson & Kilroy P.C.

(57) **CLAIM**

The ornamental design for a mealtime lap tray, as shown and described.

DESCRIPTION

FIG. 1 is an upper, front, right side perspective view of a mealtime lap tray with a pair of attachment straps thereof in their open positions, and showing my new design.

FIG. 2 is a top plan view thereof.

FIG. 3 is a front elevational view thereof.

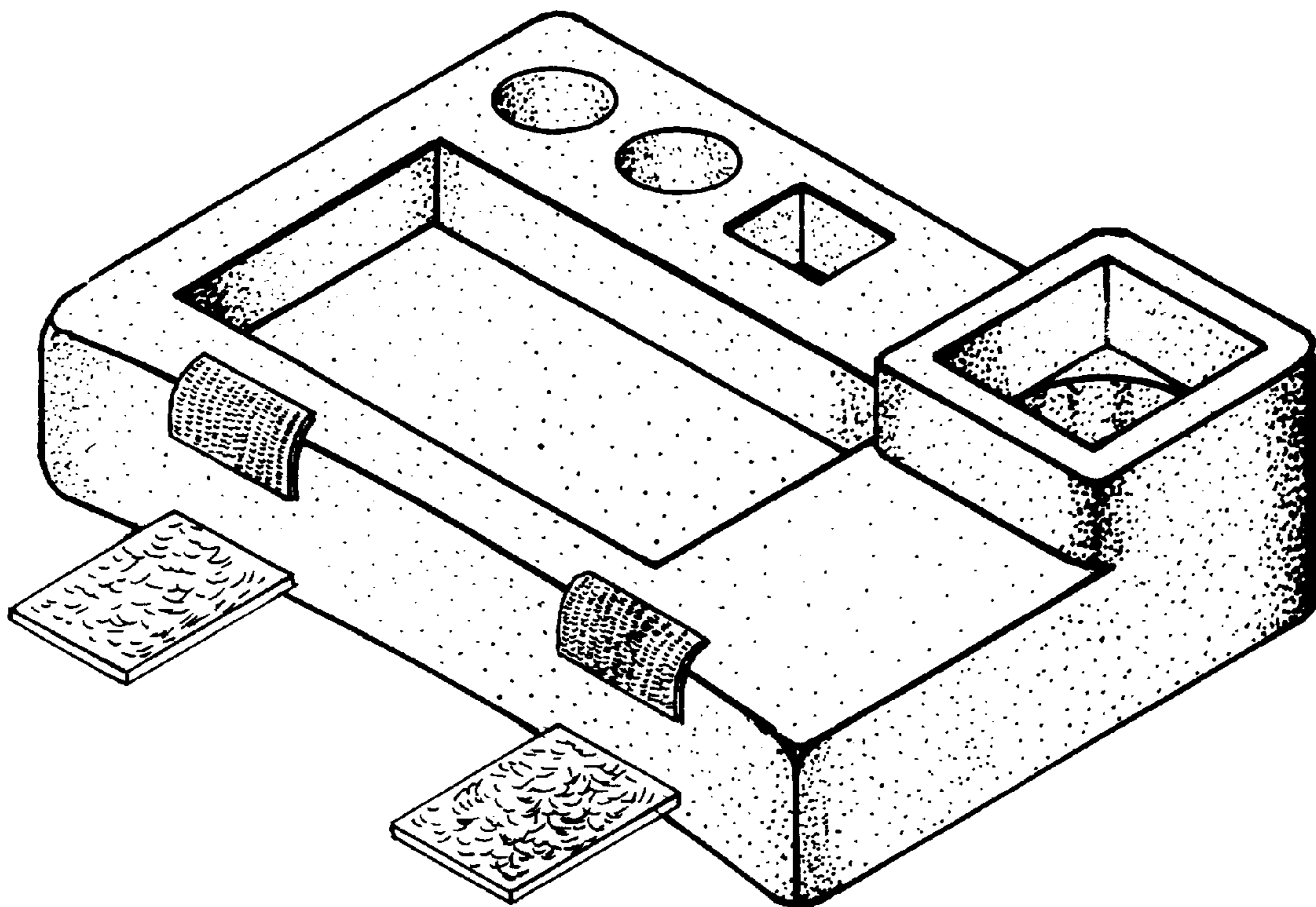
FIG. 4 is a left side elevational view thereof.

FIG. 5 is a bottom plan view thereof.

FIG. 6 is a rear elevational view thereof; and,

FIG. 7 is a right side elevational view thereof.

1 Claim, 2 Drawing Sheets



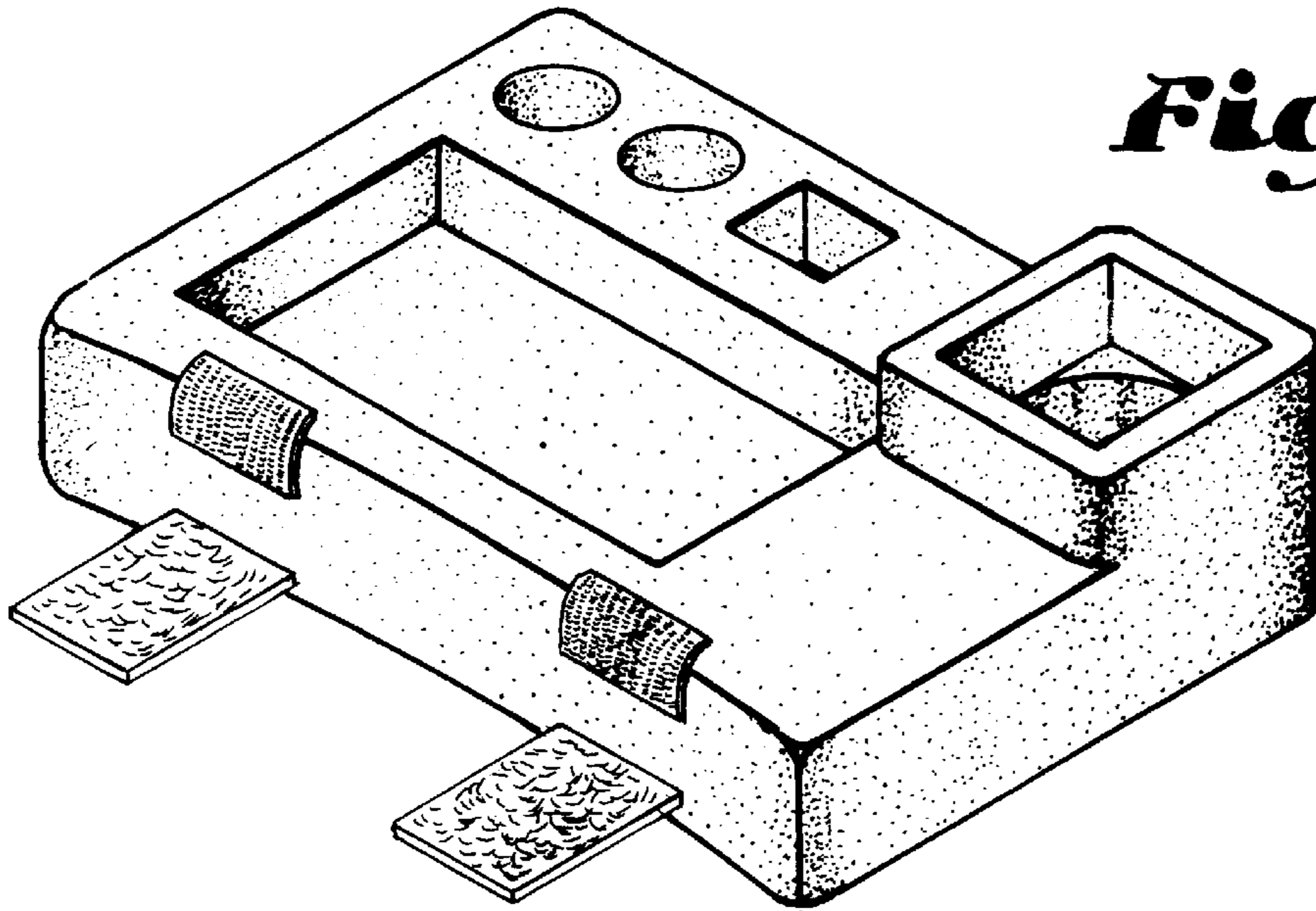


Fig. 1.

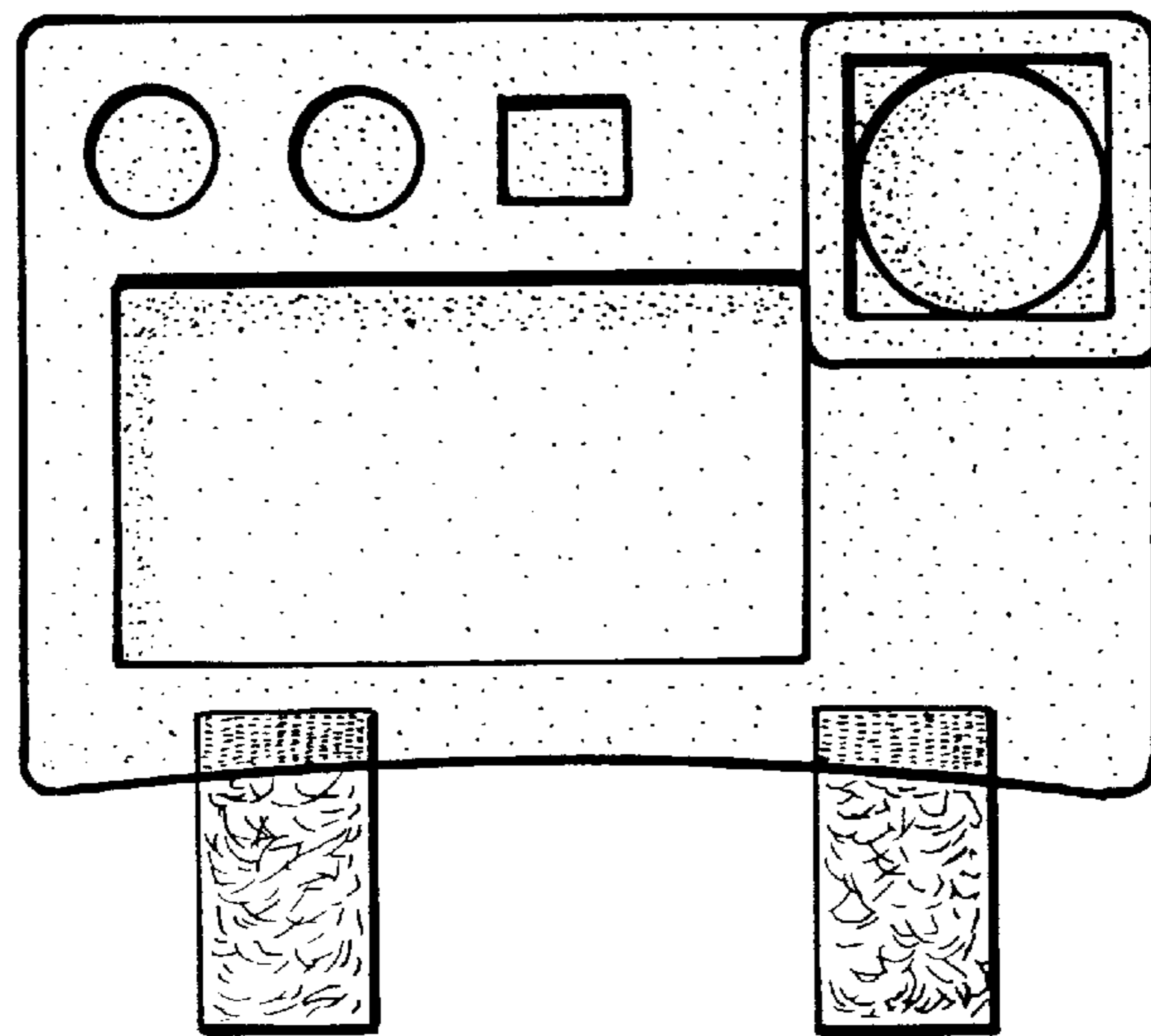


Fig. 2.

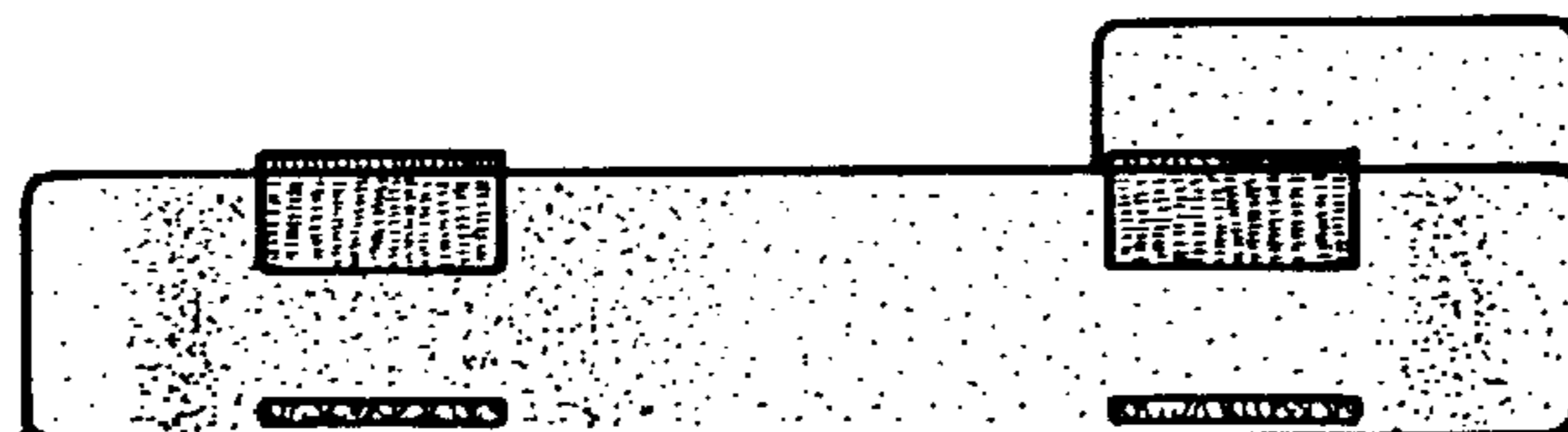


Fig. 3.

Fig. 4.

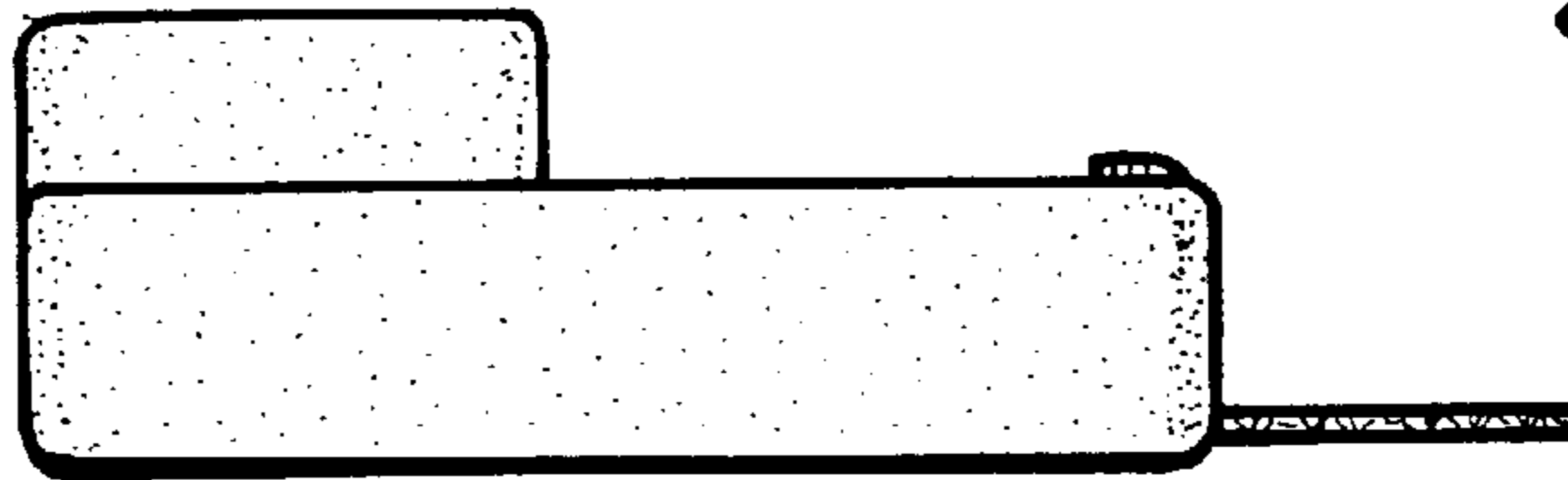


Fig. 5.

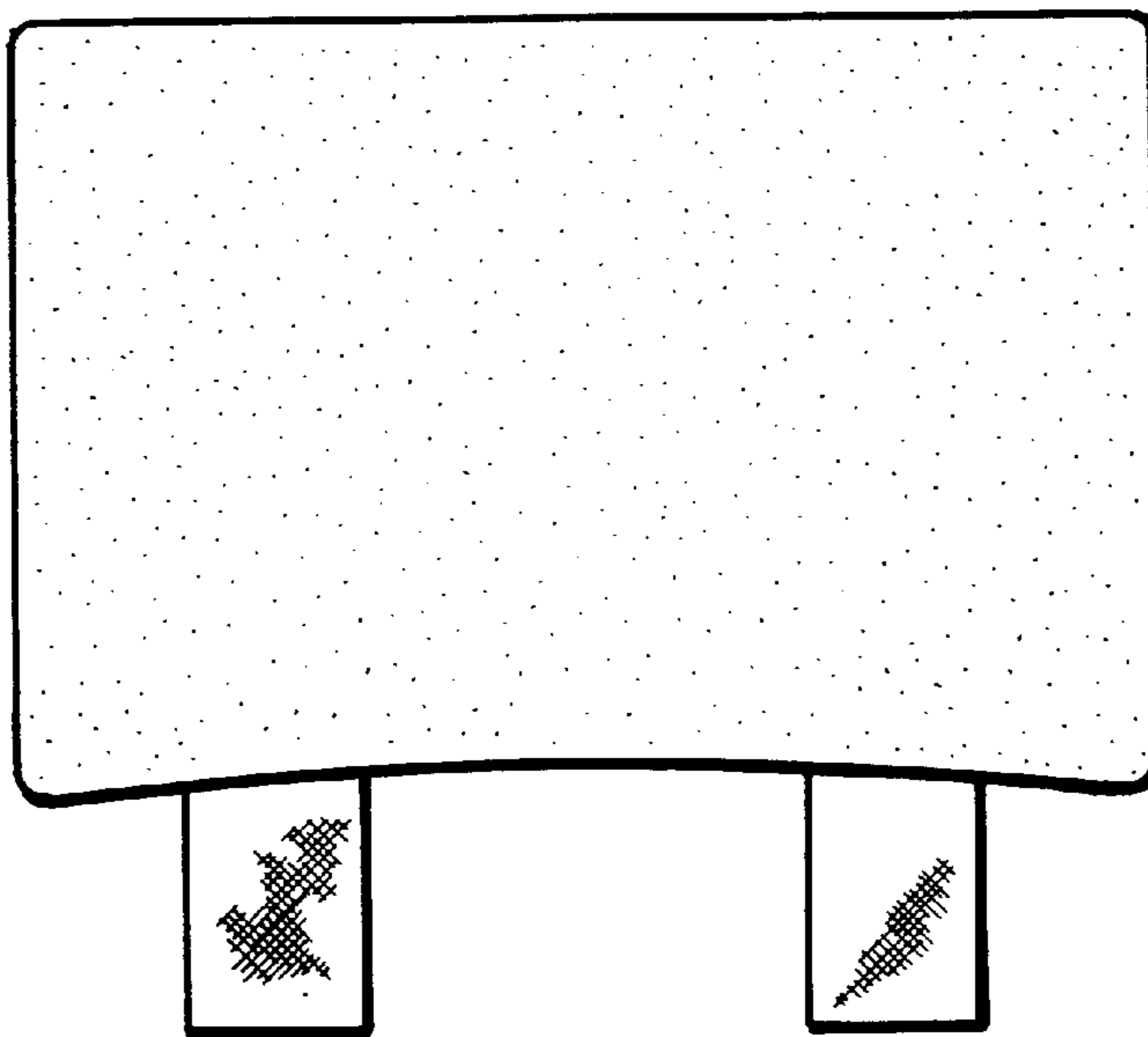


Fig. 6.

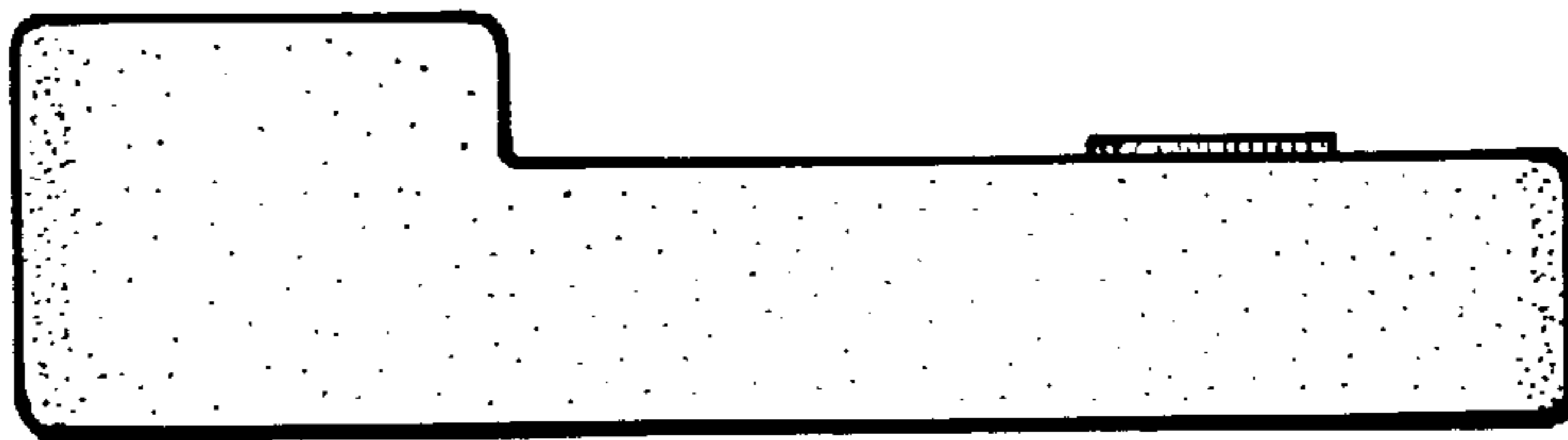


Fig. 7.

