



US00D438018S

(12) **United States Design Patent**
Choi

(10) **Patent No.:** **US D438,018 S**

(45) **Date of Patent:** **** Feb. 27, 2001**

(54) **PHOTO FRAME**

(75) **Inventor:** **Fu Tong Choi, Kwai Chung (HK)**

(73) **Assignee:** **Kwok Keung Metal Works Limited,**
New Territories (HK)

(**) **Term:** **14 Years**

(21) **Appl. No.:** **29/116,419**

(22) **Filed:** **Jan. 4, 2000**

(51) **LOC (7) Cl.** **06-03**

(52) **U.S. Cl.** **D6/300; D6/310; D6/313**

(58) **Field of Search** **D6/300-314; 40/711,**
40/714-716, 722, 739, 743, 746, 749, 765,
768, 769, 780, 790, 798

(56) **References Cited**

U.S. PATENT DOCUMENTS

D. 82,410	*	11/1930	Attinger	D6/300
D. 311,999	*	11/1990	Ho	D6/308
D. 346,907	*	5/1994	Howell	D6/310
1,441,071	*	1/1923	Edmonds	40/746

OTHER PUBLICATIONS

Exposures, May 1995, p. 28, #1 frames at lower left.*

* cited by examiner

Primary Examiner—Janice E. Seeger

(74) *Attorney, Agent, or Firm*—Leydig, Voit & Mayer, Ltd

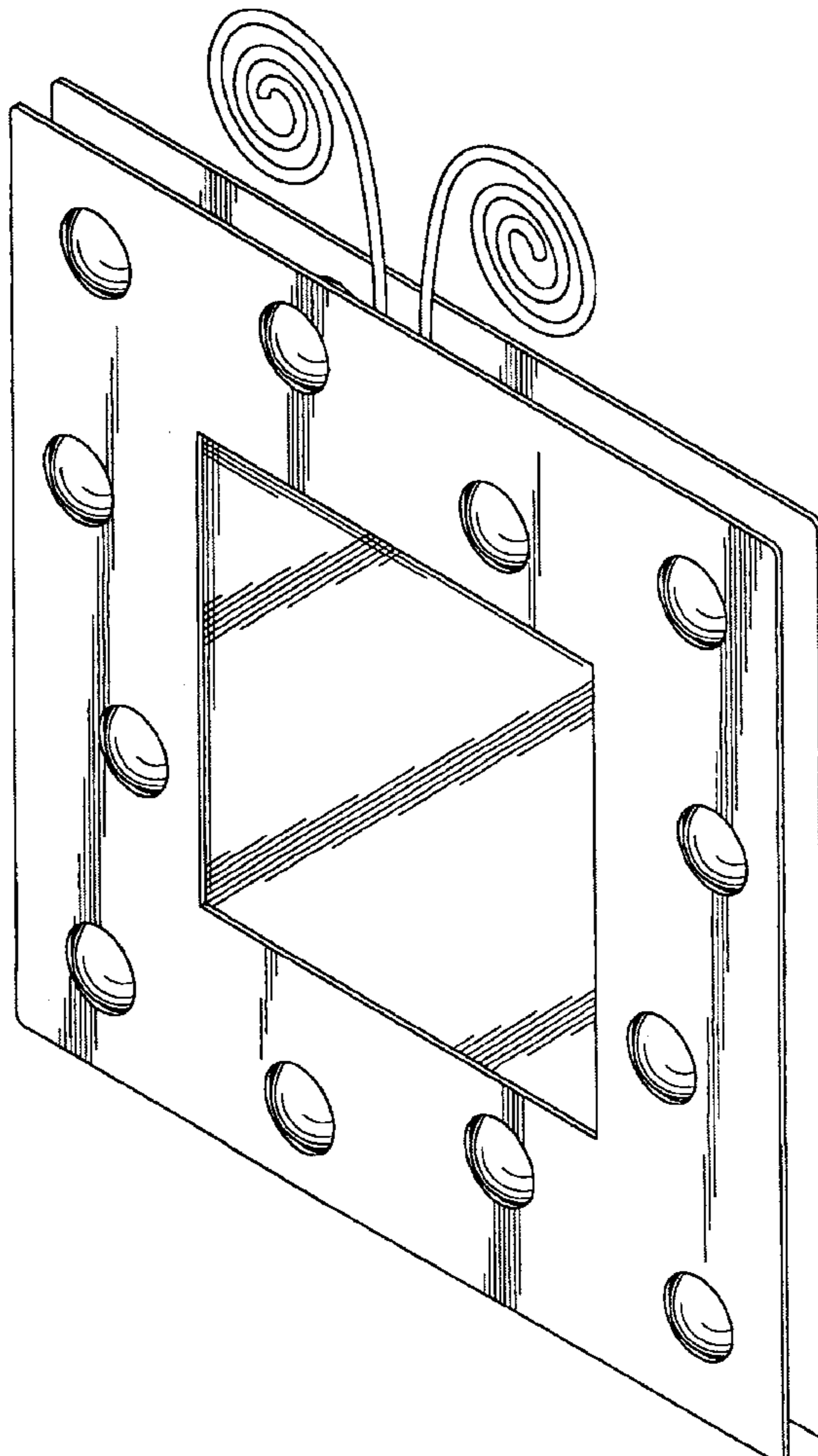
(57) **CLAIM**

The ornamental design for a photo frame, as shown and described.

DESCRIPTION

FIG. 1 is a front, right side and top perspective view of a photo frame showing my new design;
FIG. 2 is a front elevational view thereof;
FIG. 3 is a left side elevational view thereof;
FIG. 4 is a top plan view thereof;
FIG. 5 is a rear elevational view thereof;
FIG. 6 is a right side elevational view thereof; and,
FIG. 7 is a bottom plan view thereof.

1 Claim, 3 Drawing Sheets



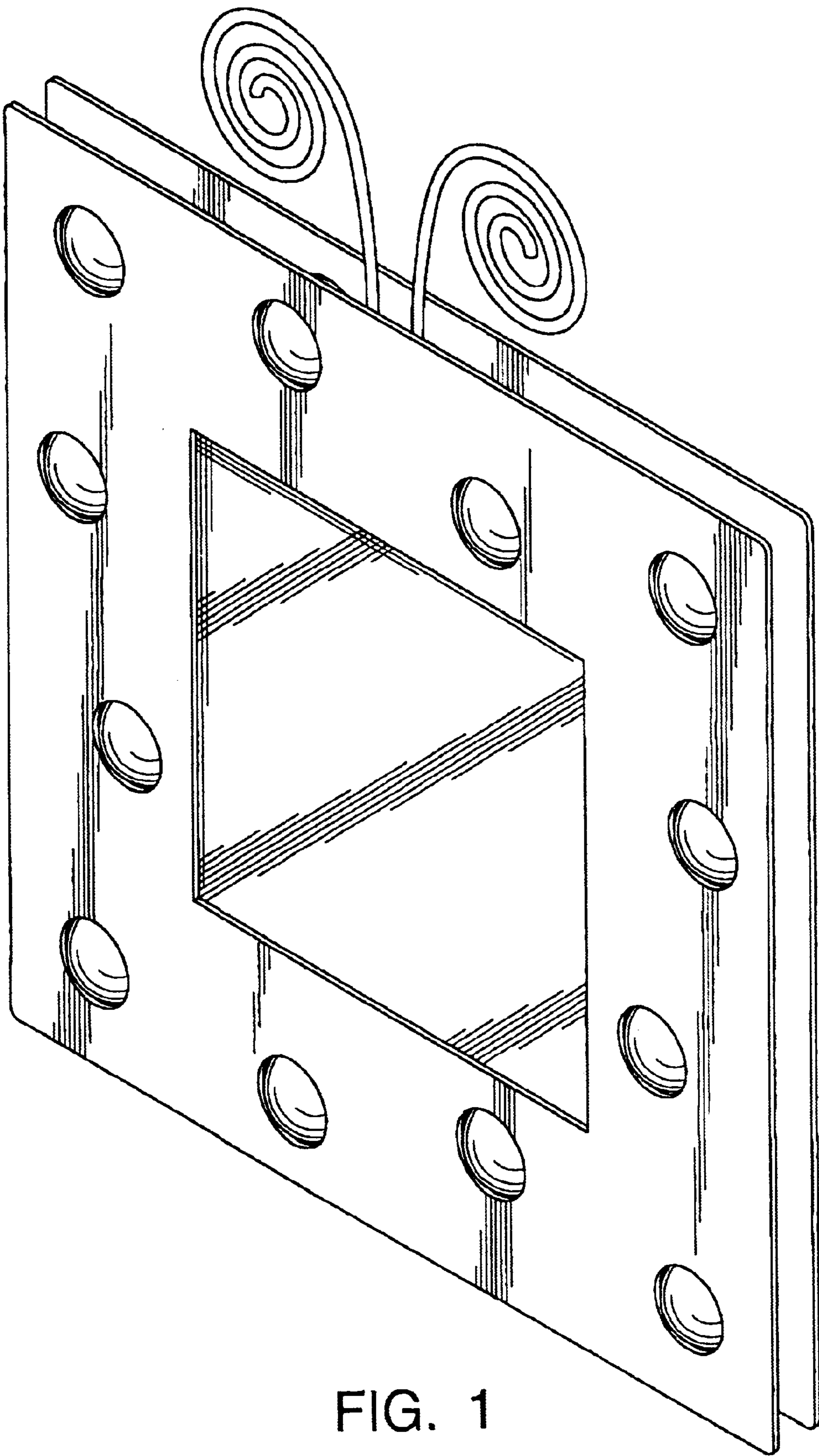


FIG. 1

FIG. 4

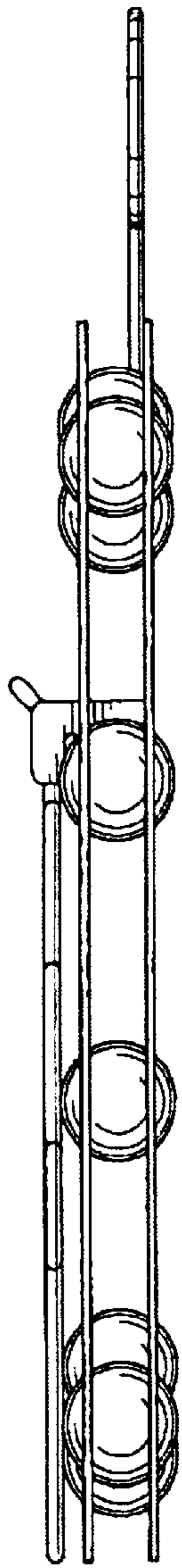
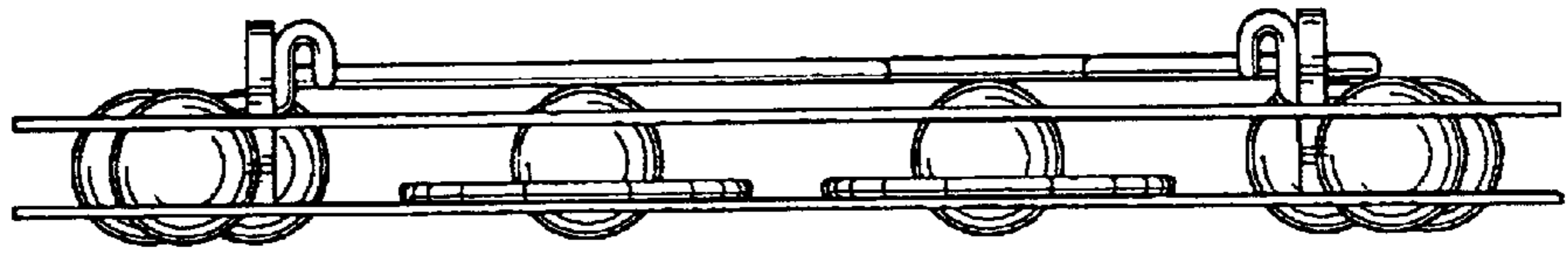


FIG. 3

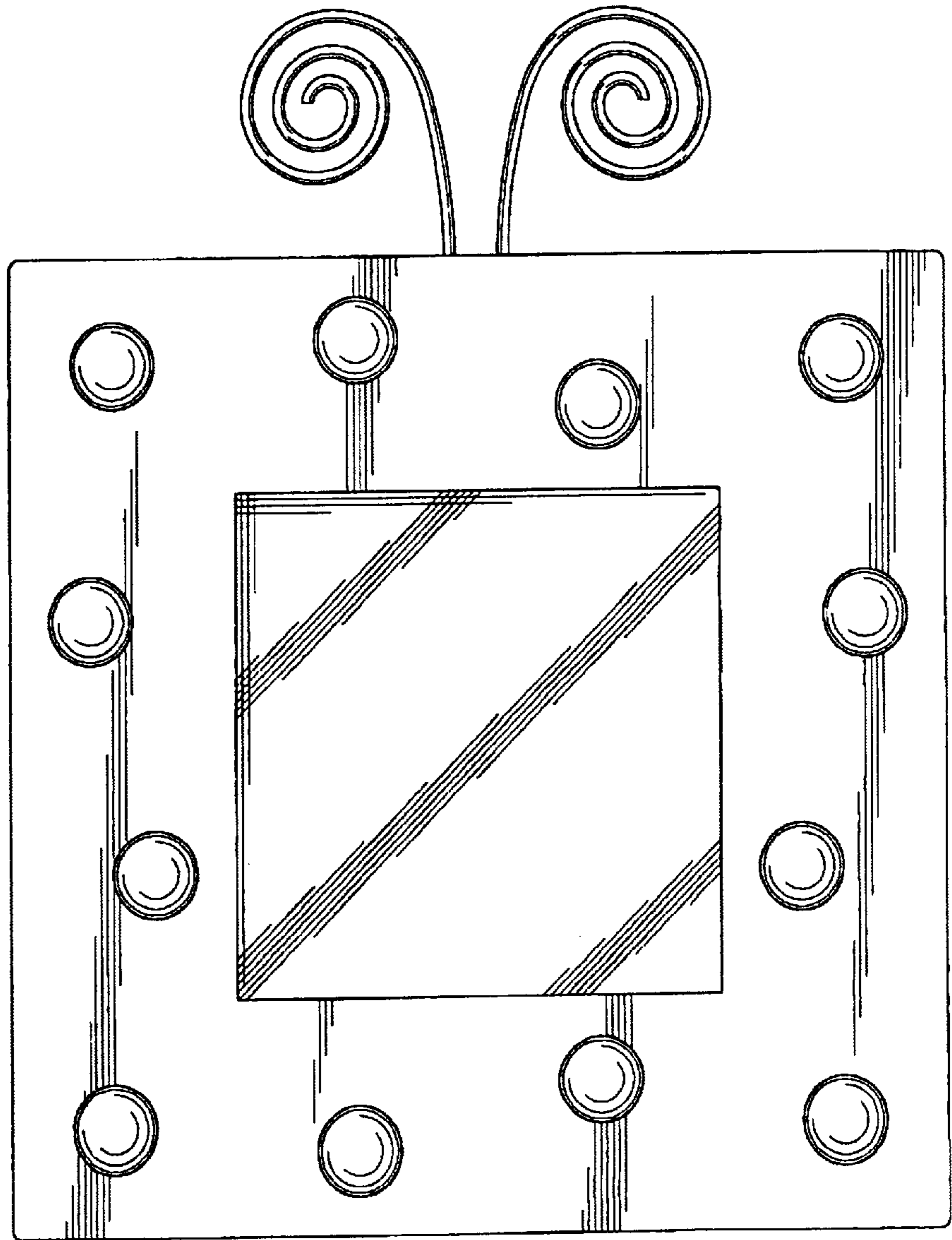


FIG. 2

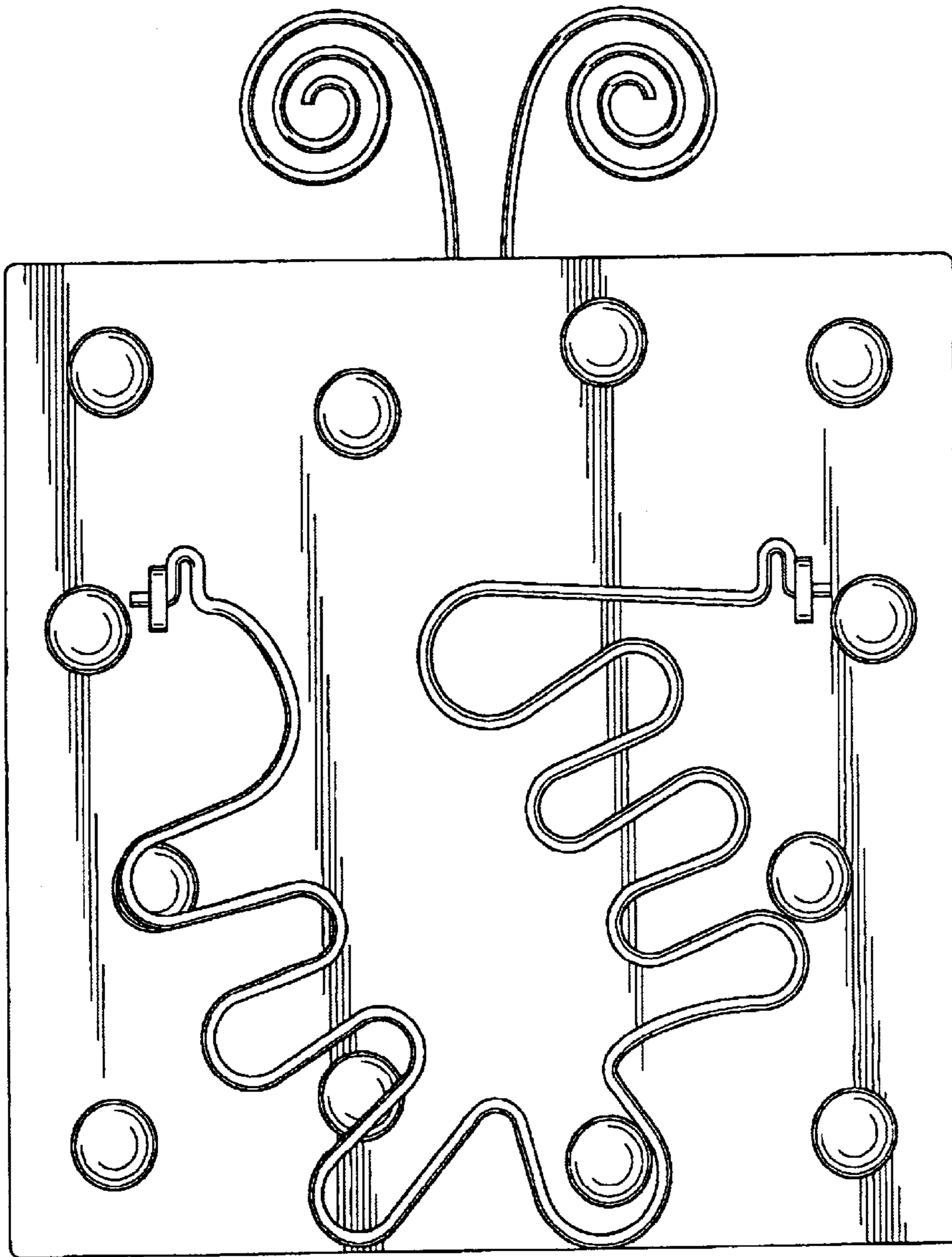


FIG. 5

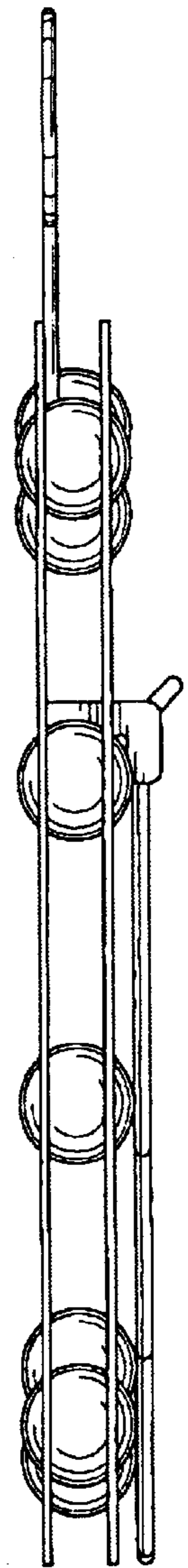


FIG. 6

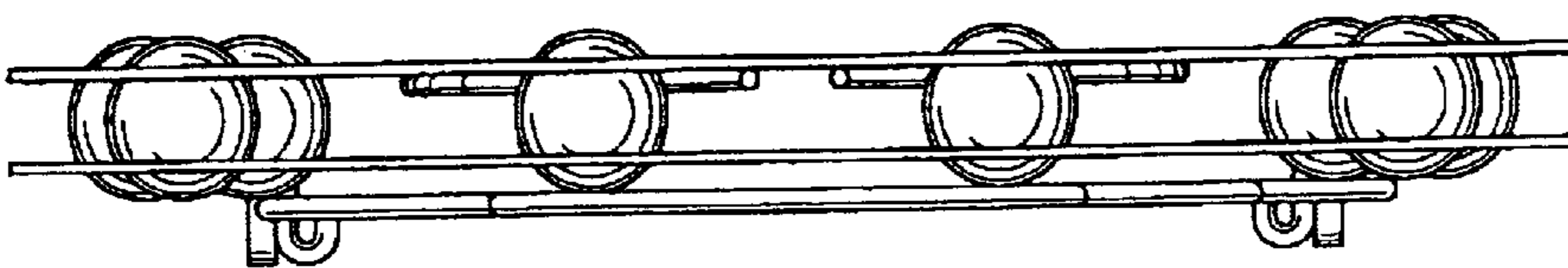


FIG. 7