



US00D438013S

(12) **United States Design Patent** (10) **Patent No.:** **US D438,013 S**
Hay (45) **Date of Patent:** **** Feb. 27, 2001**

(54) **HAND-HELD CLEANING DEVICE**

OTHER PUBLICATIONS

(75) Inventor: **Donald Hay**, Wanchai (HK)
(73) Assignee: **Hayco Manufacturing Ltd.** (HK)
(**) Term: **14 Years**

Home Trends, 'Mr. Scubby' cleaning brush—Item No. L024, p. 63, © 1996.*

* cited by examiner

(21) Appl. No.: **29/117,016**
(22) Filed: **Jan. 14, 2000**

Primary Examiner—Alan P. Douglas
Assistant Examiner—Lavone Tabor
(74) *Attorney, Agent, or Firm*—Reese Taylor

(51) **LOC (7) Cl.** **04-01**
(52) **U.S. Cl.** **D4/114; D4/121; D4/127**
(58) **Field of Search** **D4/100, 102, 114, D4/121, 127, 130; D32/45, 52; 15/104.92, 159.1, 160, 186–187; 401/136, 137, 192, 268, 270–271, 273–275, 279, 282, 284, 286, 288, 290**

(57) **CLAIM**

I claim the ornamental design for a hand-held cleaning device, as shown and described.

DESCRIPTION

FIG. 1 is a perspective view of a hand-held cleaning device showing my design;
FIG. 2 is a perspective view therefor with the cap removed;
FIG. 3 is a top view thereof;
FIG. 4 is a bottom view thereof;
FIG. 5 is a side view thereof; and,
FIG. 6 is another side view thereof.

(56) **References Cited**

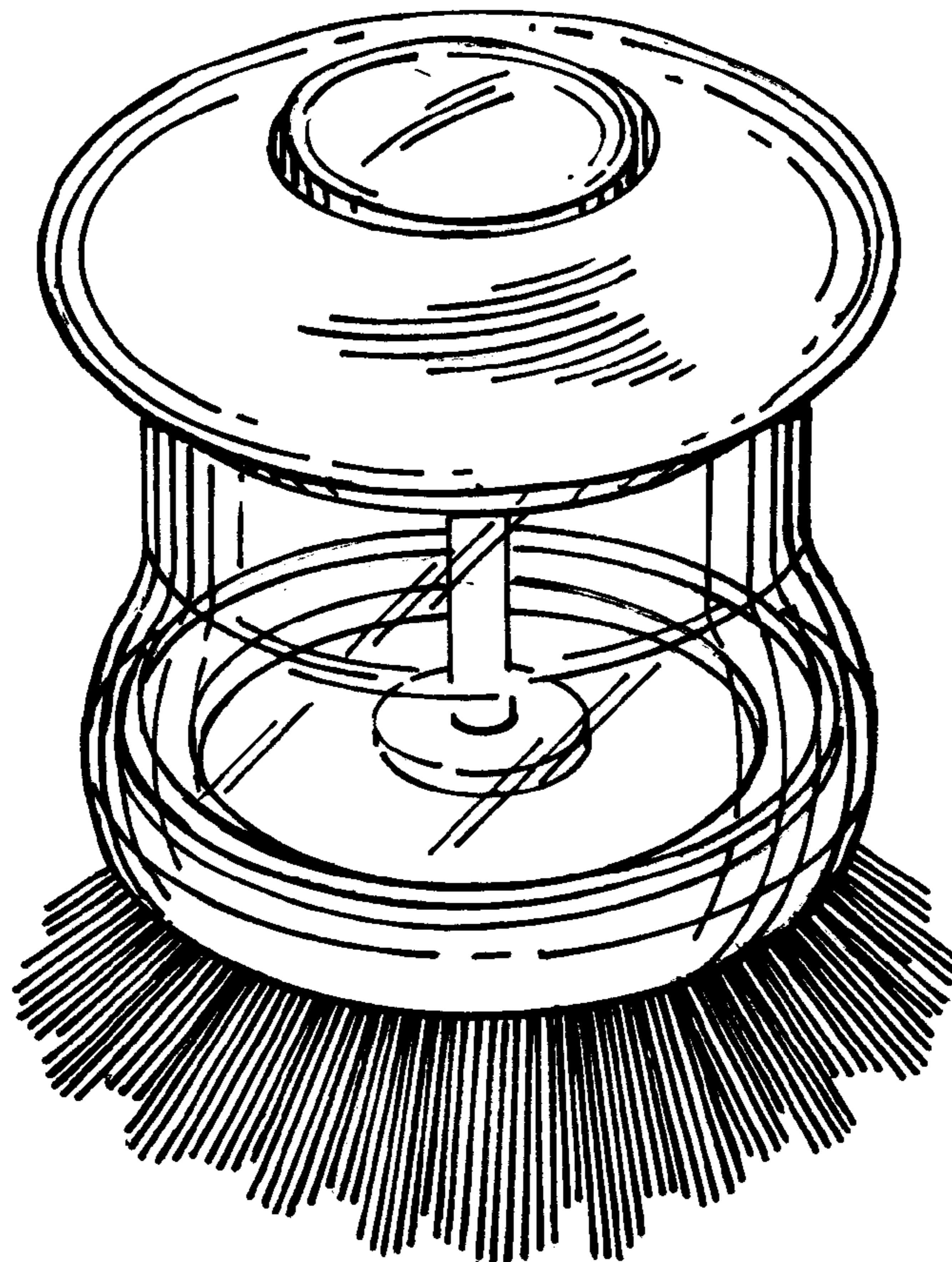
U.S. PATENT DOCUMENTS

D. 201,428 * 6/1965 Kellis D4/114
D. 307,216 * 4/1990 Yuen D4/102
D. 326,778 * 6/1992 Vetter D4/114

FOREIGN PATENT DOCUMENTS

2232075 * 5/1990 (GB) .

1 Claim, 3 Drawing Sheets



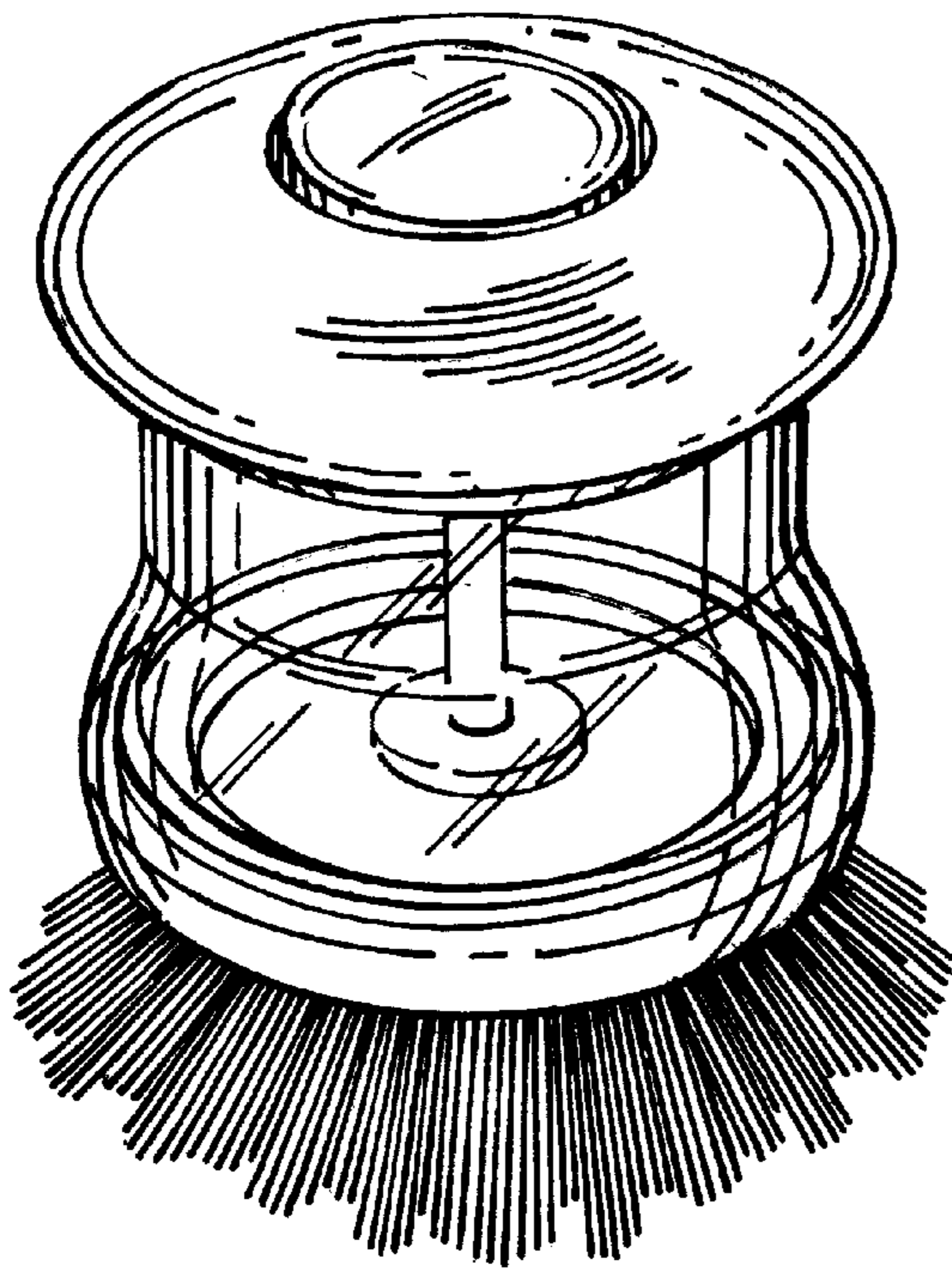
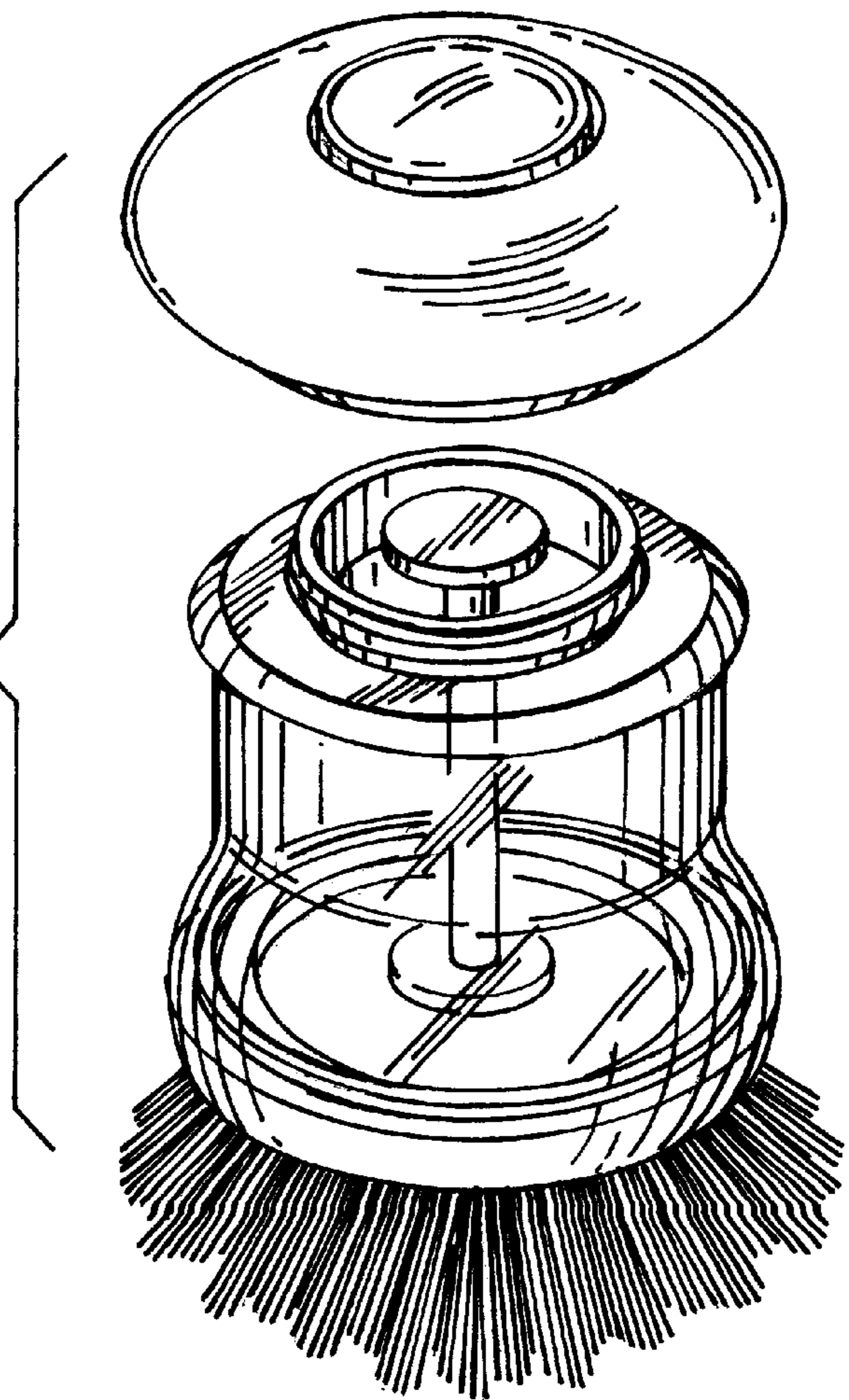


FIG. 1

FIG. 2



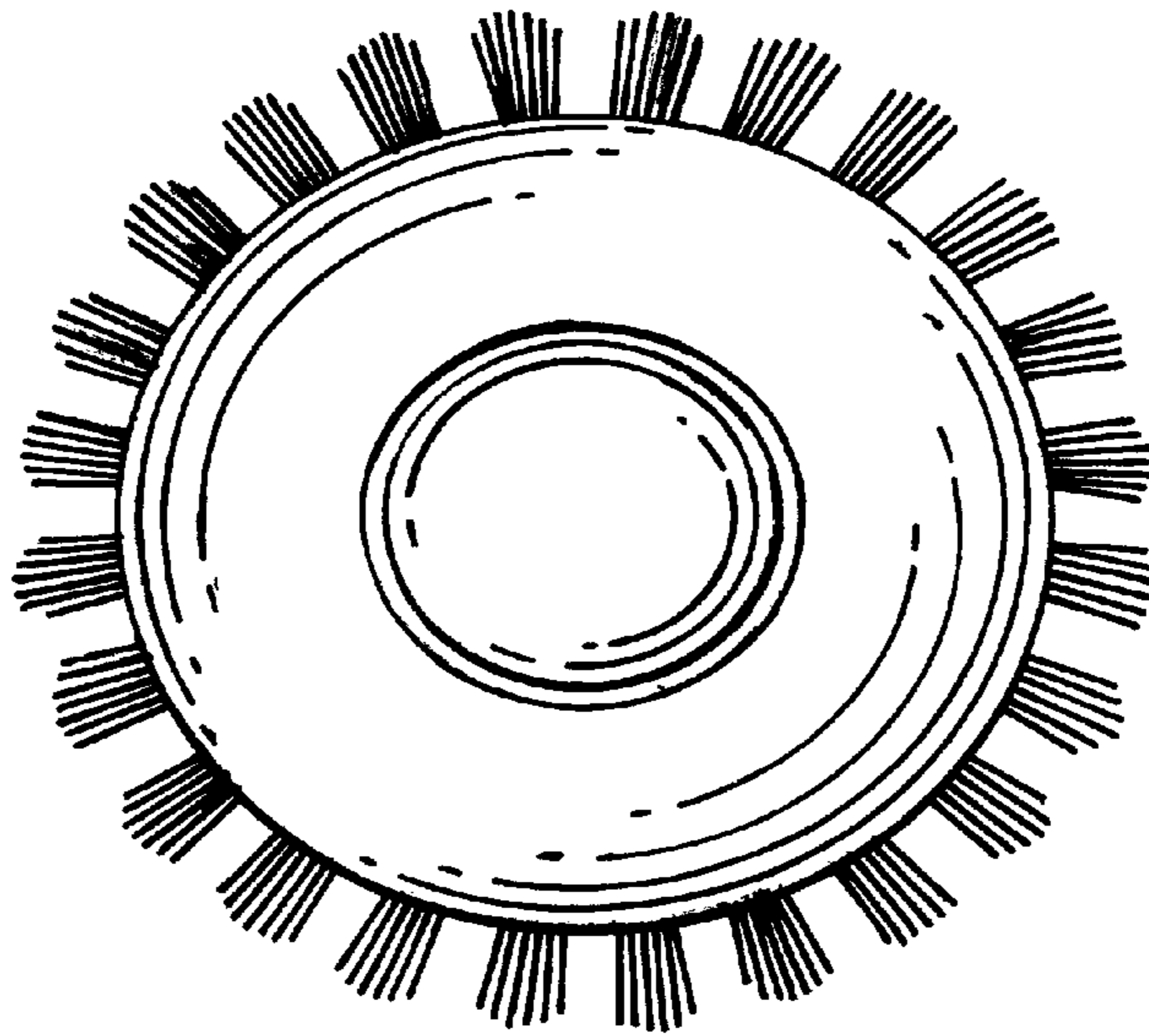


FIG. 3

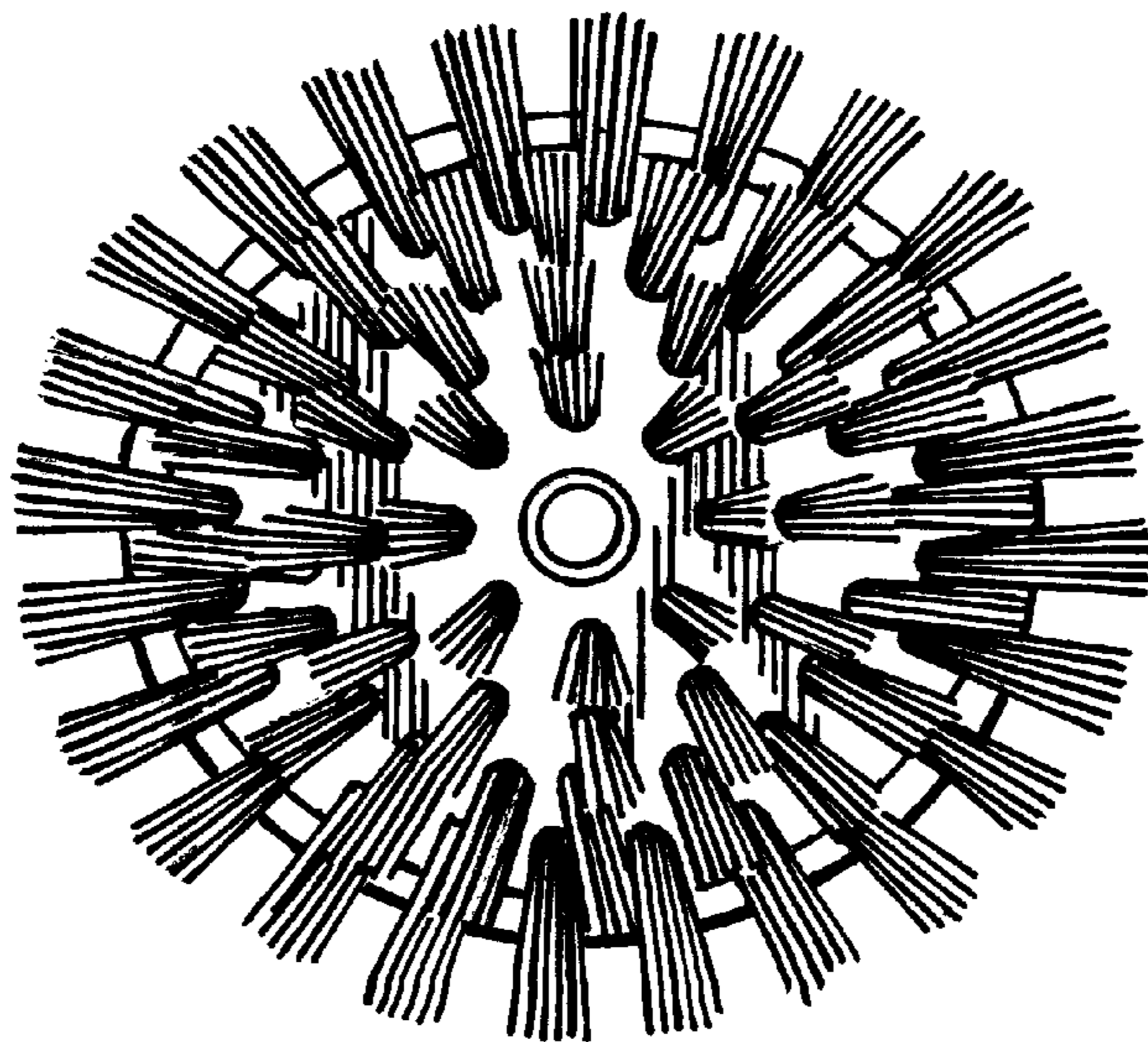


FIG. 4

FIG. 5

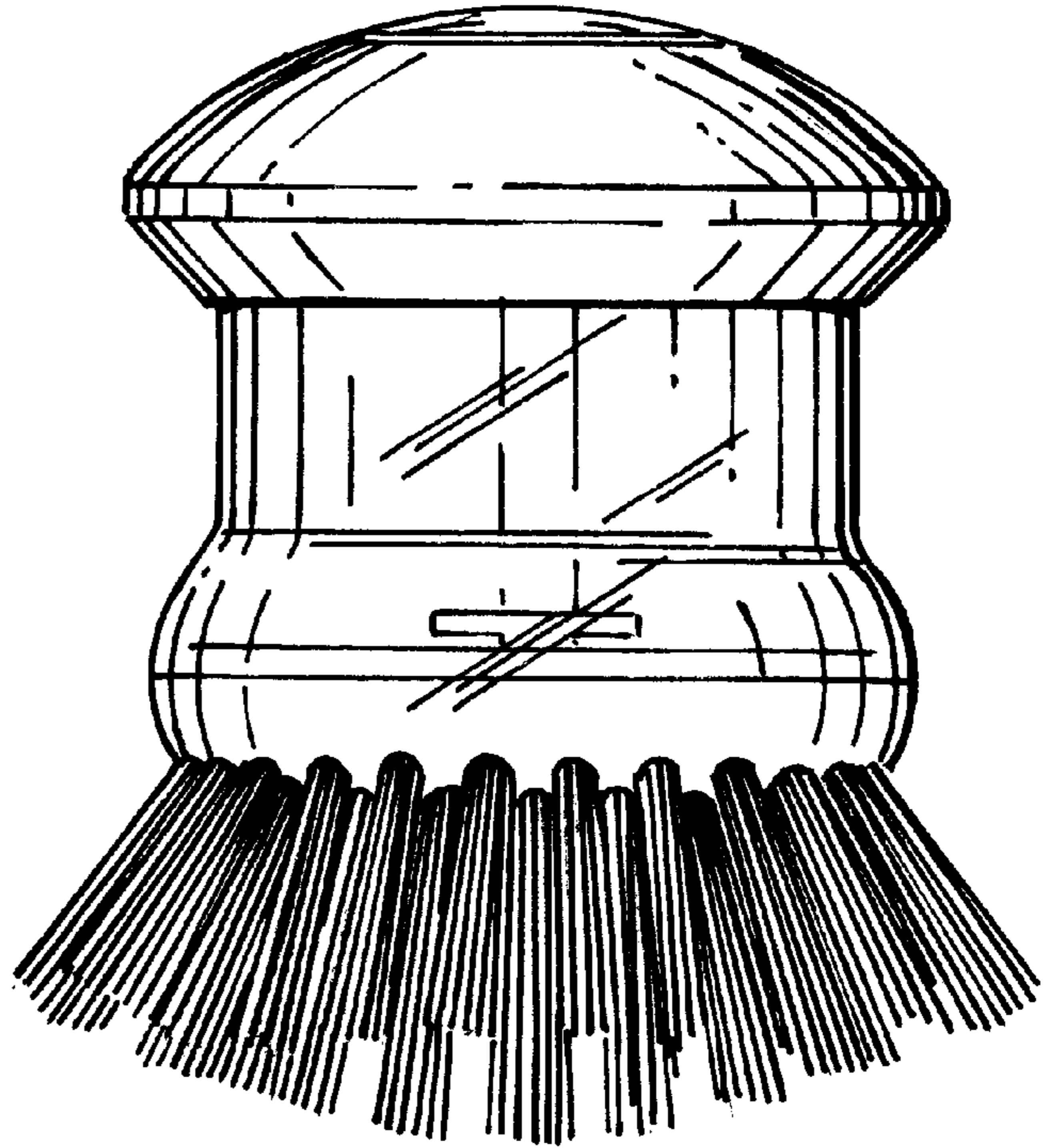


FIG. 6

