



US00D438011S

(12) **United States Design Patent**
Shick

(10) **Patent No.:** **US D438,011 S**

(45) **Date of Patent:** **** Feb. 27, 2001**

(54) **THREE WHEEL LUGGAGE BASE PLATE**

(75) Inventor: **Lawrence A. Shick**, Boca Raton, FL
(US)

(73) Assignee: **Lifestyle International, Inc.**, Secaucas,
NJ (US)

(**) Term: **14 Years**

(21) Appl. No.: **29/112,505**

(22) Filed: **Oct. 18, 1999**

(51) **LOC (7) Cl.** **03-99**

(52) **U.S. Cl.** **D3/318**

(58) **Field of Search** D3/318, 321, 322,
D3/279, 272, 273, 282; 190/18 A, 24, 37;
248/346.11; 186/27; D21/500; D34/12,
14, 23, 24, 27

(56) **References Cited**

U.S. PATENT DOCUMENTS

D. 370,997	*	6/1996	Hsieh	D3/318
D. 384,206		9/1997	Wang	D3/321
D. 414,933	*	10/1999	Yu	D3/282
3,717,228	*	2/1973	Blair	190/18 A X
5,048,649		9/1991	Carpenter et al.	190/18 A
5,253,739	*	10/1993	King	190/18 A
5,291,976	*	3/1994	Ku	190/18 A

5,498,010	*	3/1996	Stube	190/18 A
5,575,362	*	11/1996	Franklin et al.	190/18 A X
5,645,146		7/1997	Bieber et al.	190/18 A
5,653,319	*	8/1997	Wang	190/18 A X
5,863,061		1/1999	Ziegler et al.	280/642
5,903,956		5/1999	Theising	16/19
6,062,357	*	5/2000	Bogert	190/18 A

* cited by examiner

Primary Examiner—Louis S. Zarfaz

Assistant Examiner—Robert A. Delehanty

(74) *Attorney, Agent, or Firm*—Darby & Darby

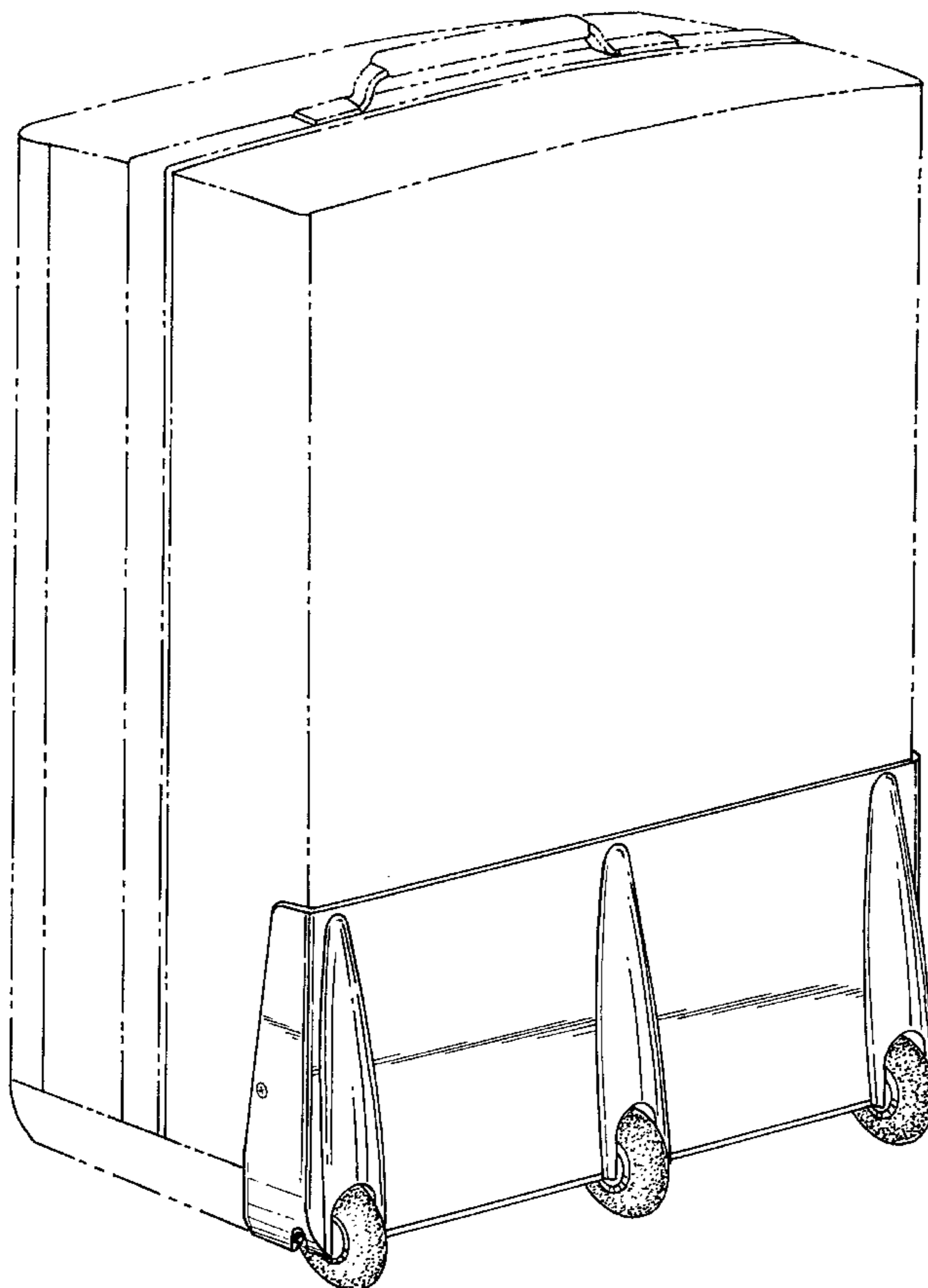
(57) **CLAIM**

The ornamental design for a three wheel luggage base plate, as shown and described.

DESCRIPTION

FIG. 1 is a perspective view of a three wheel luggage base plate according to my new design; FIG. 2 is a front elevational view thereof; FIG. 3 is a right side elevational view with the left side being a mirror image thereof; FIG. 4 is a top plan view thereof; and, FIG. 5 is a bottom plan view thereof. The broken line showing of luggage is for illustrative purposes only and forms no part of the claimed design.

1 Claim, 4 Drawing Sheets



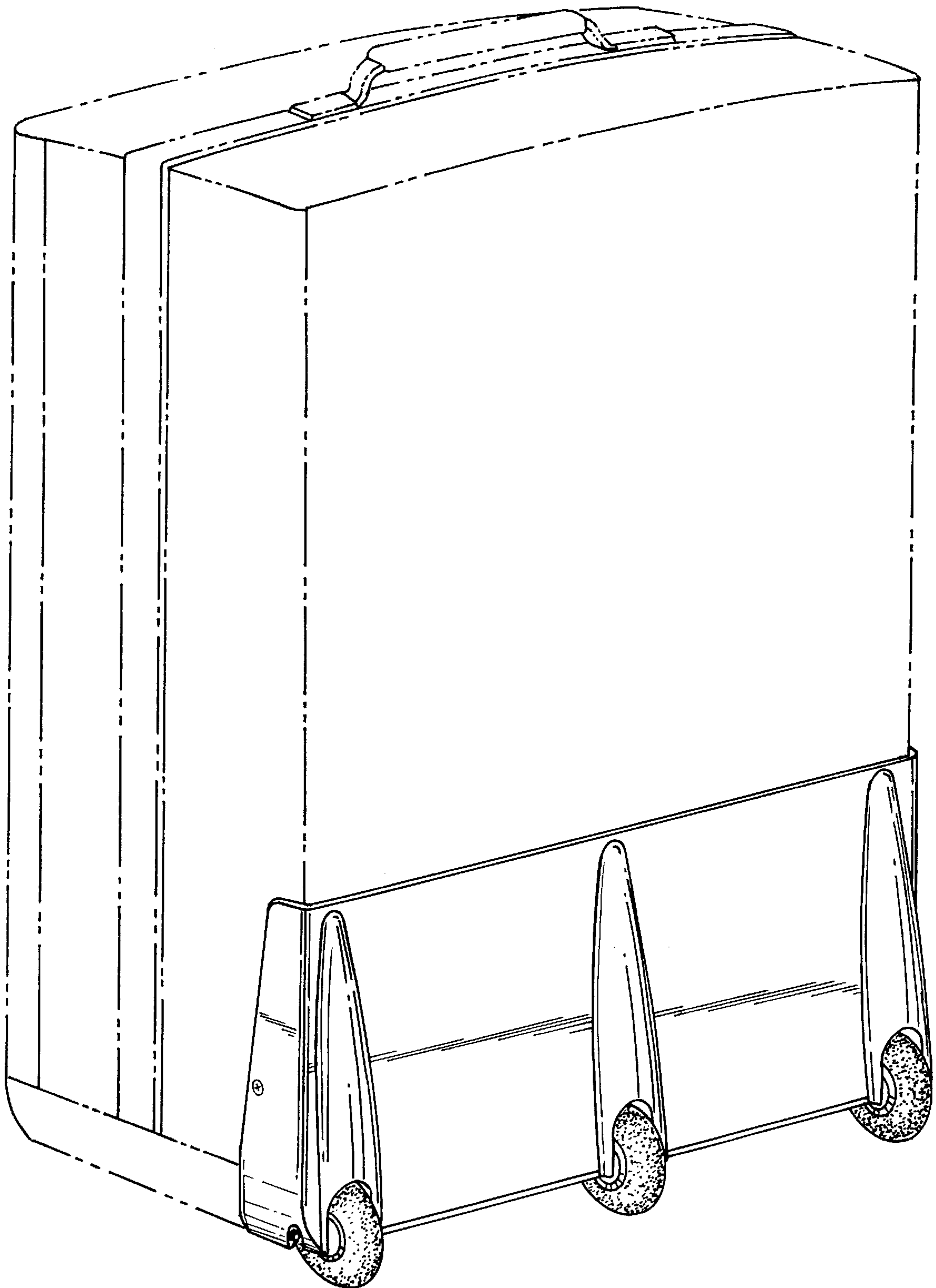


Fig. 1

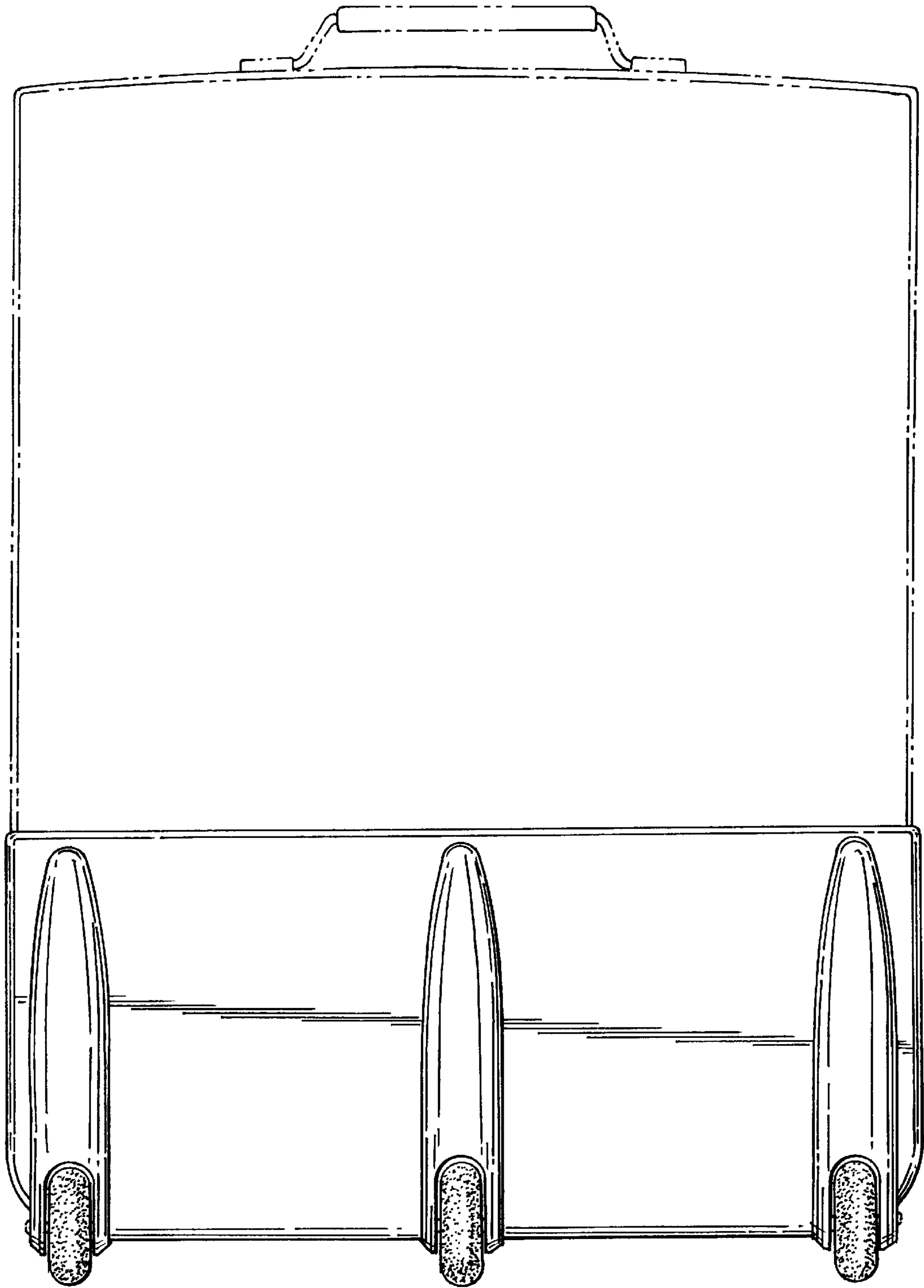


Fig. 2

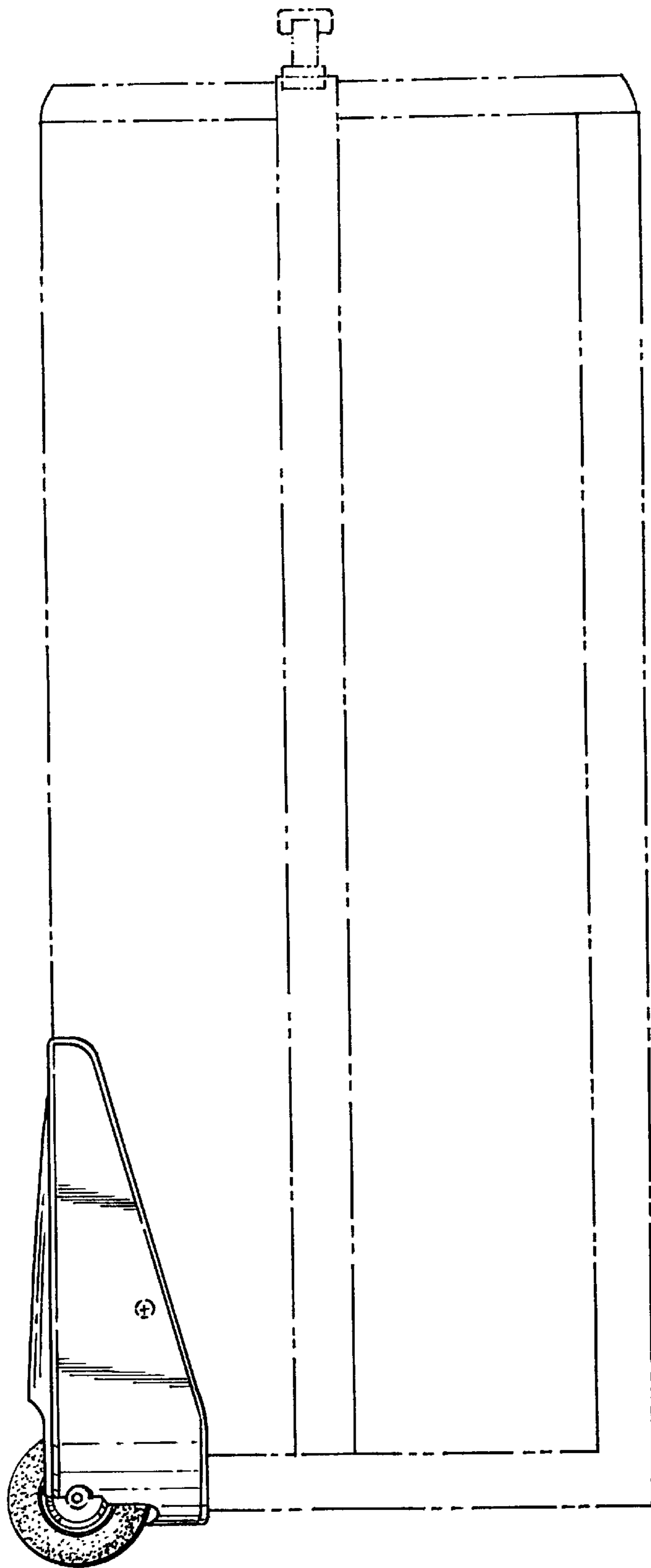


Fig. 3

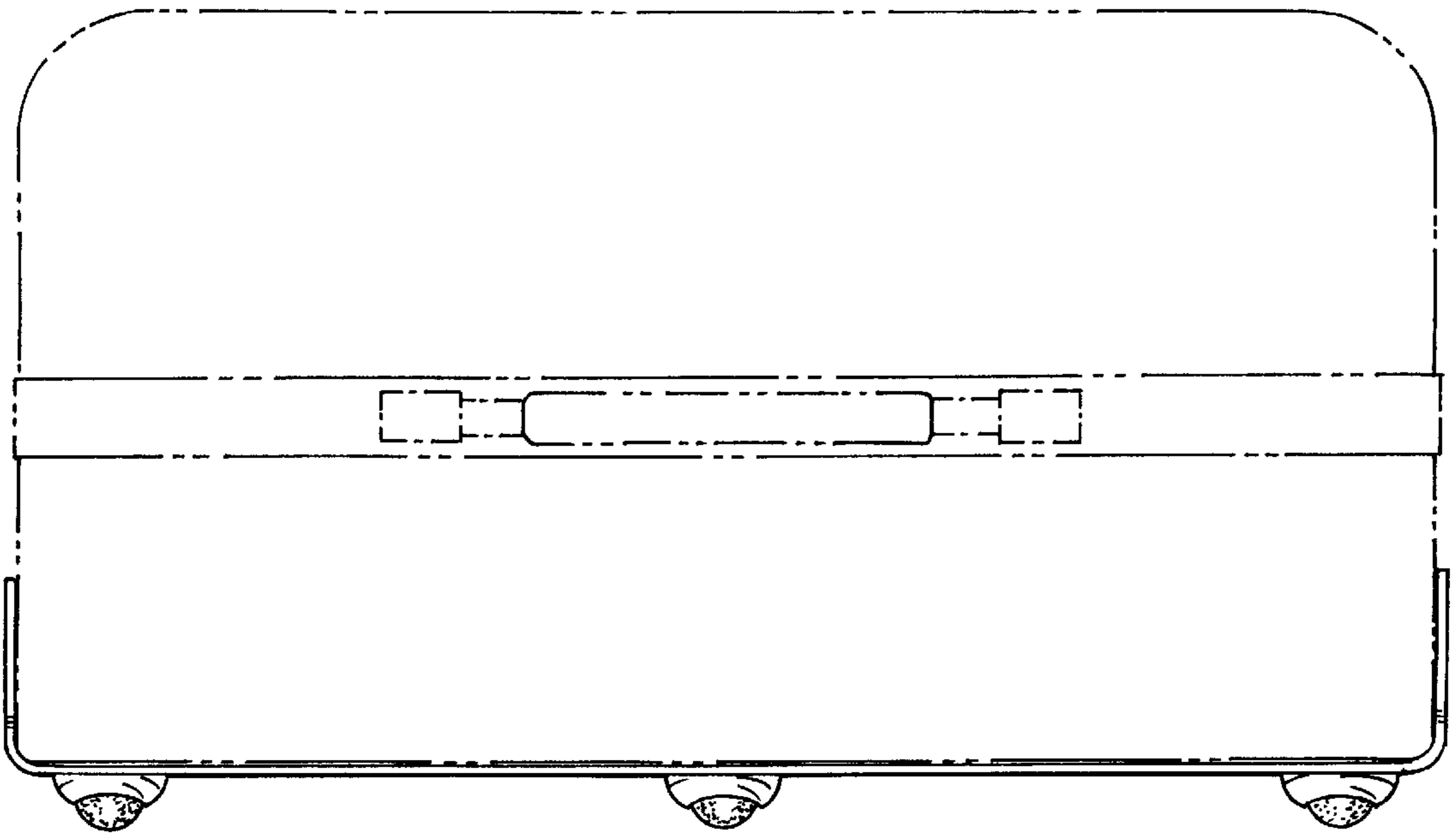


Fig. 4

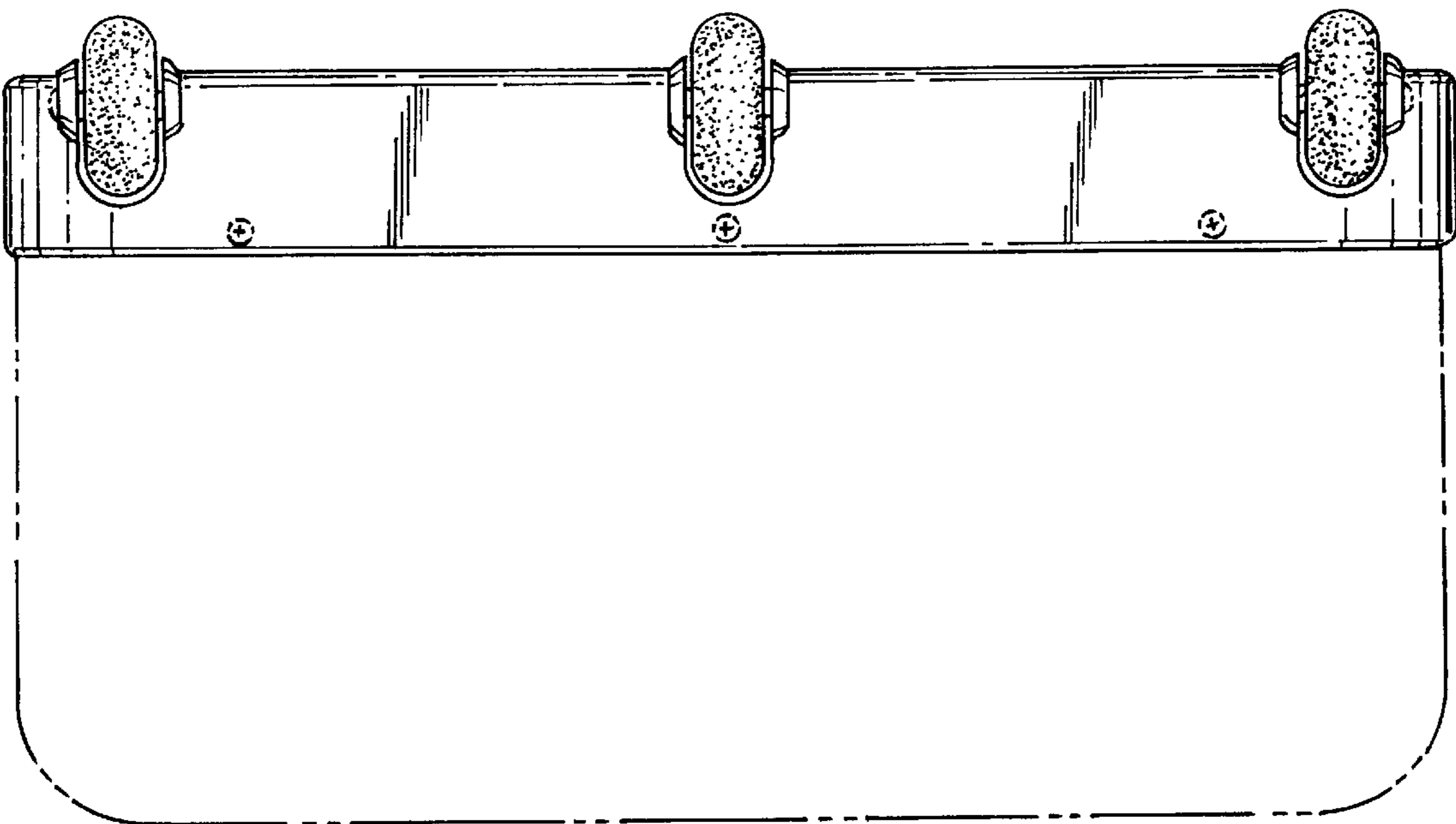


Fig. 5