



US00D438005S

(12) **United States Design Patent**
Tiramani et al.

(10) **Patent No.:** **US D438,005 S**

(45) **Date of Patent:** **** Feb. 27, 2001**

(54) **HARD-SIDED LUGGAGE ARTICLE**

D. 422,409 * 4/2000 Klenner et al. D3/279

D. 425,301 * 5/2000 Sagol D3/279

D. 428,698 * 8/2000 Cheng D3/279

(75) Inventors: **Paolo M. B. Tiramani; John A. Bozak**, both of Greenwich; **Chester Fudge**, Middleton; **Soohyun Ham**, Stamford, all of CT (US)

* cited by examiner

Primary Examiner—Philip S. Hyder

(73) Assignee: **500 Group, Inc.**, Greenwich, CT (US)

(74) *Attorney, Agent, or Firm*—David V. Radack; Eckert Seamans Cherin & Mellott, LLC

(**) Term: **14 Years**

(57) **CLAIM**

(21) Appl. No.: **29/125,803**

The ornamental design for a hard-sided luggage article, as shown and described.

(22) Filed: **Jun. 30, 2000**

DESCRIPTION

(51) **LOC (7) Cl.** **03-01**

FIG. 1 is a front perspective view of a hard-sided luggage article showing our design;

(52) **U.S. Cl.** **D3/279; D3/273**

FIG. 2 is a right side elevational view thereof;

(58) **Field of Search** D3/273, 276, 279,

D3/272; 190/18 A, 100, 110, 111, 112,

113, 114, 115

FIG. 3 is a left side elevational view thereof;

FIG. 4 is a top plan view thereof;

FIG. 5 is a bottom plan view thereof;

(56) **References Cited**

U.S. PATENT DOCUMENTS

D. 375,199 * 11/1996 Stokes et al. D3/279

D. 383,603 * 9/1997 Pedlar D3/279

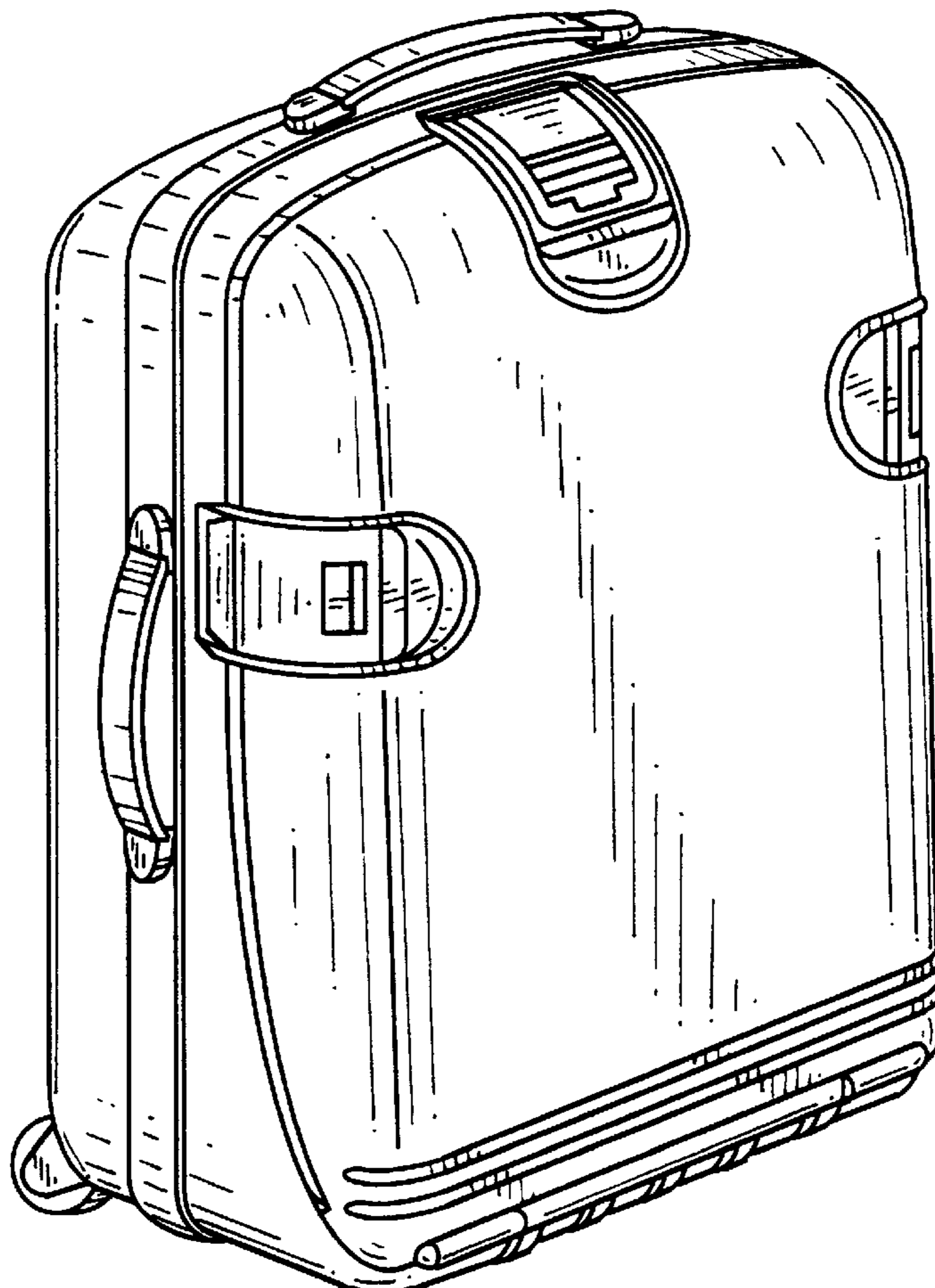
D. 383,905 * 9/1997 Stokes et al. D3/279

FIG. 6 is a front elevational view thereof; and

FIG. 7 is a back elevational view thereof; and,

FIG. 8 is a perspective view thereof showing the lid being opened.

1 Claim, 5 Drawing Sheets



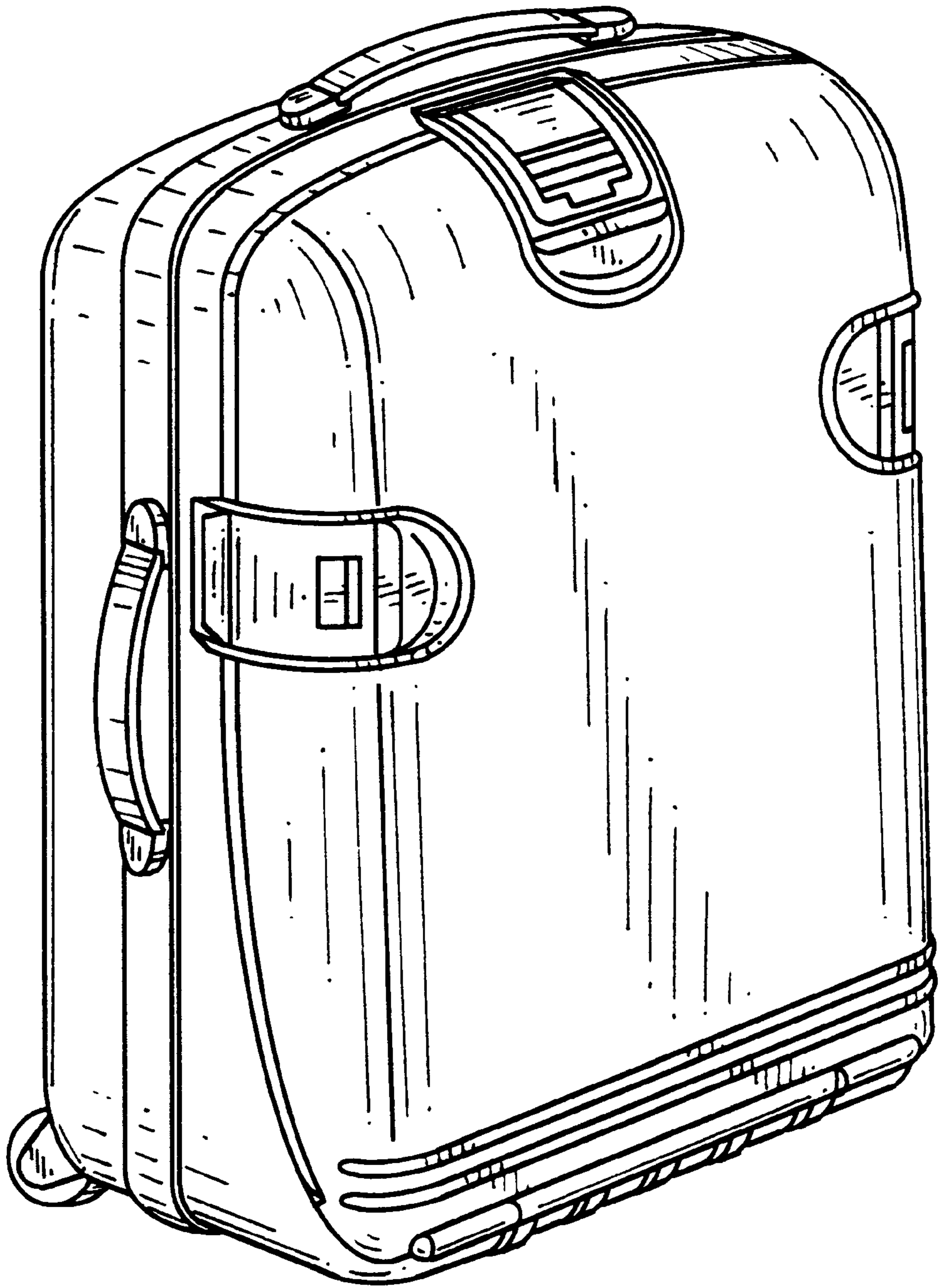


FIG. 1

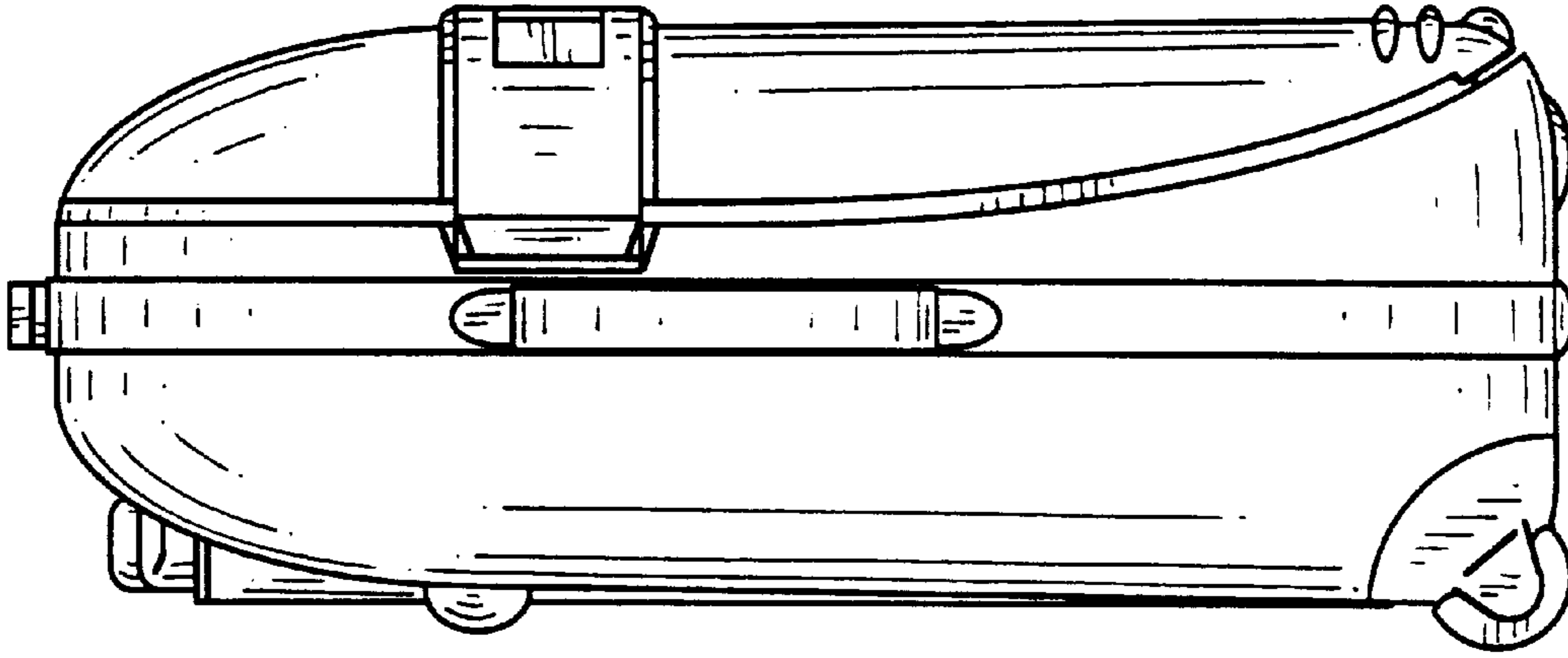


FIG. 3

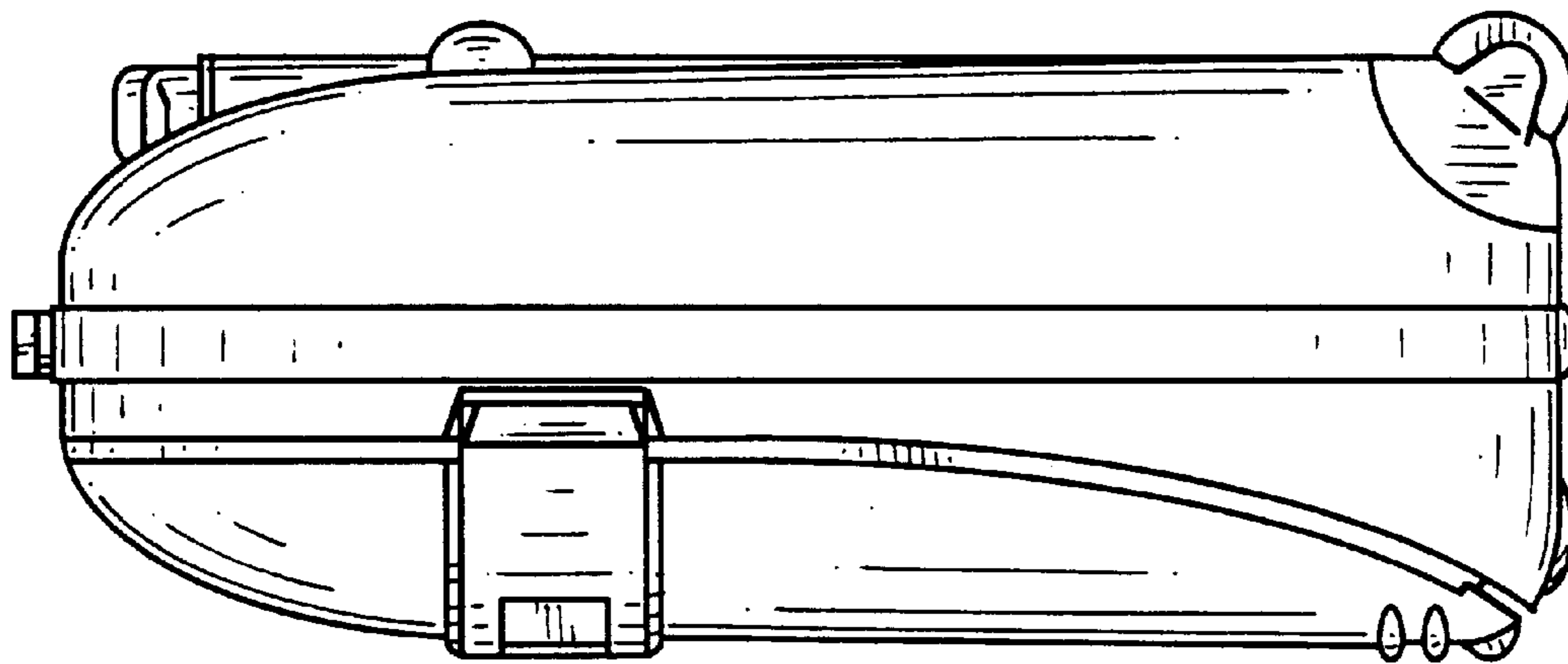


FIG. 2

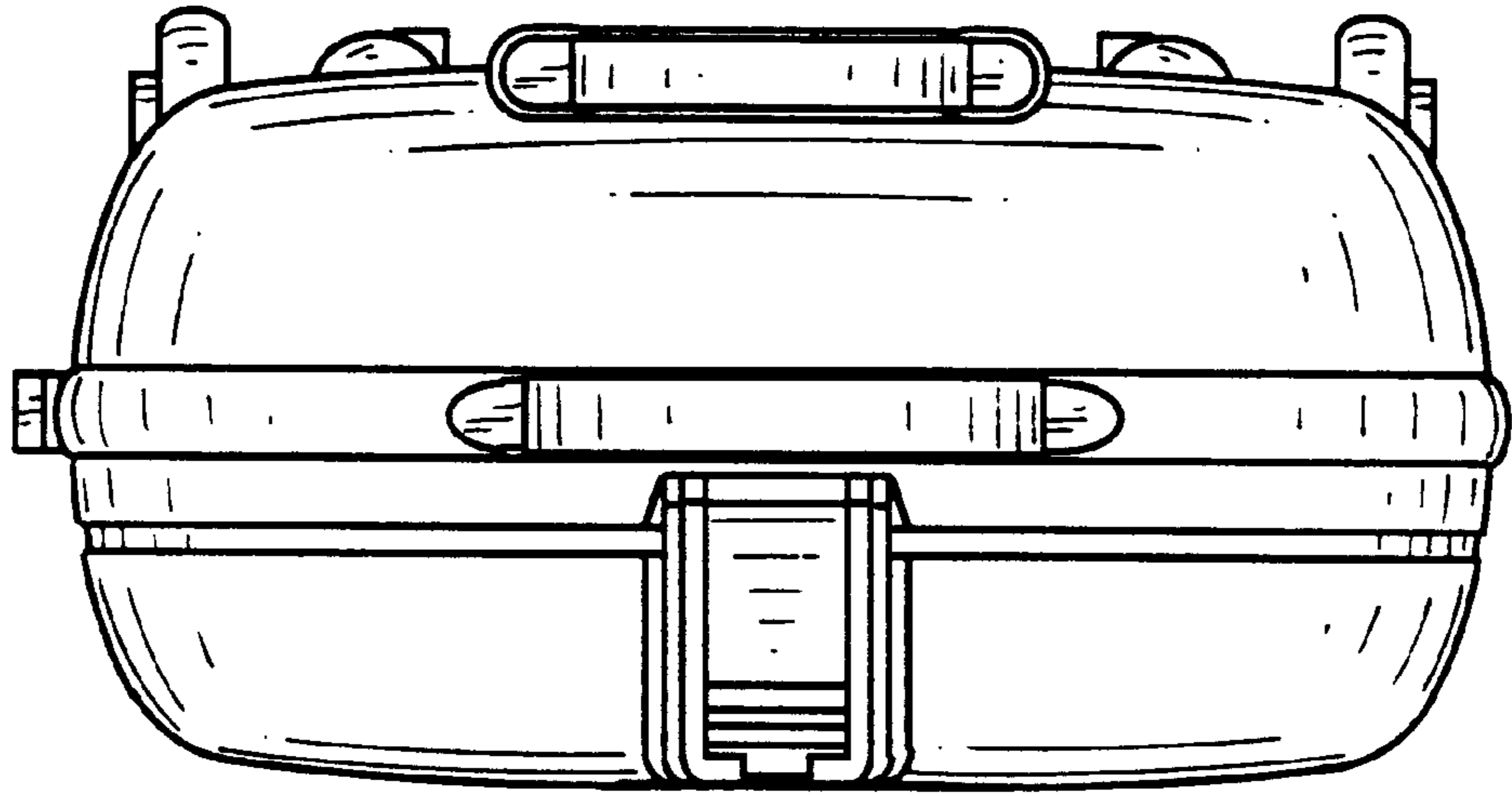


FIG. 4

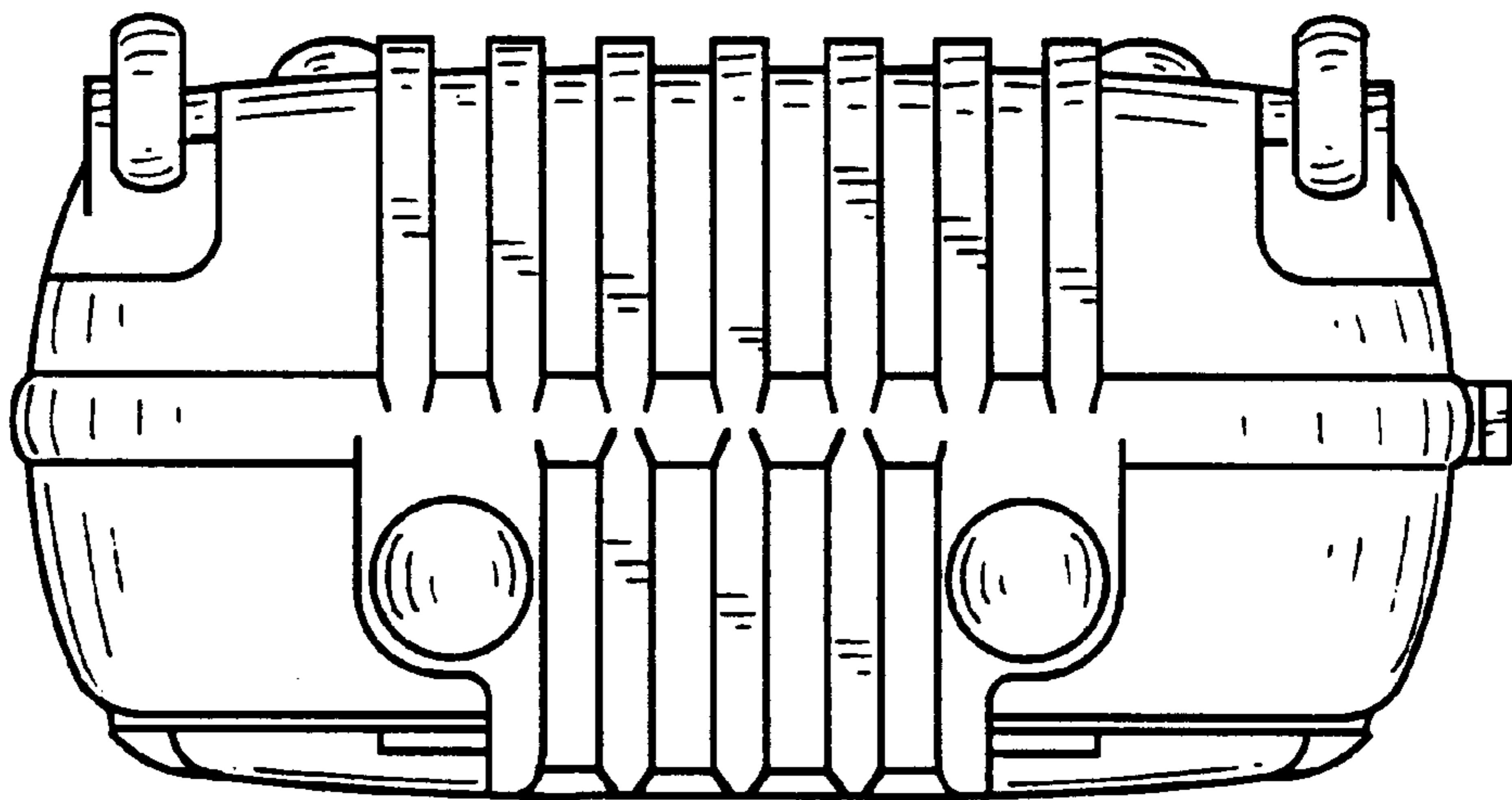


FIG. 5

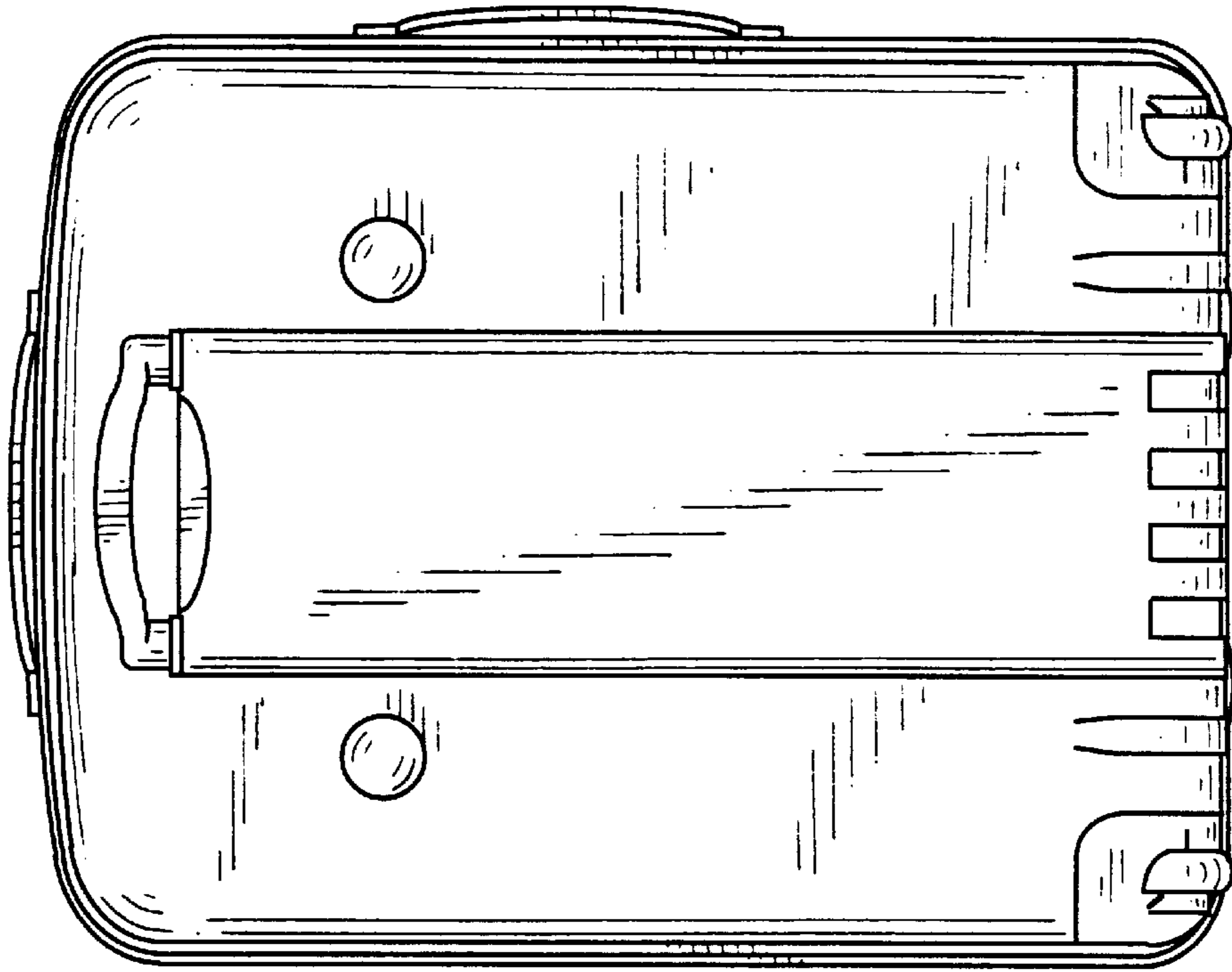


FIG. 7

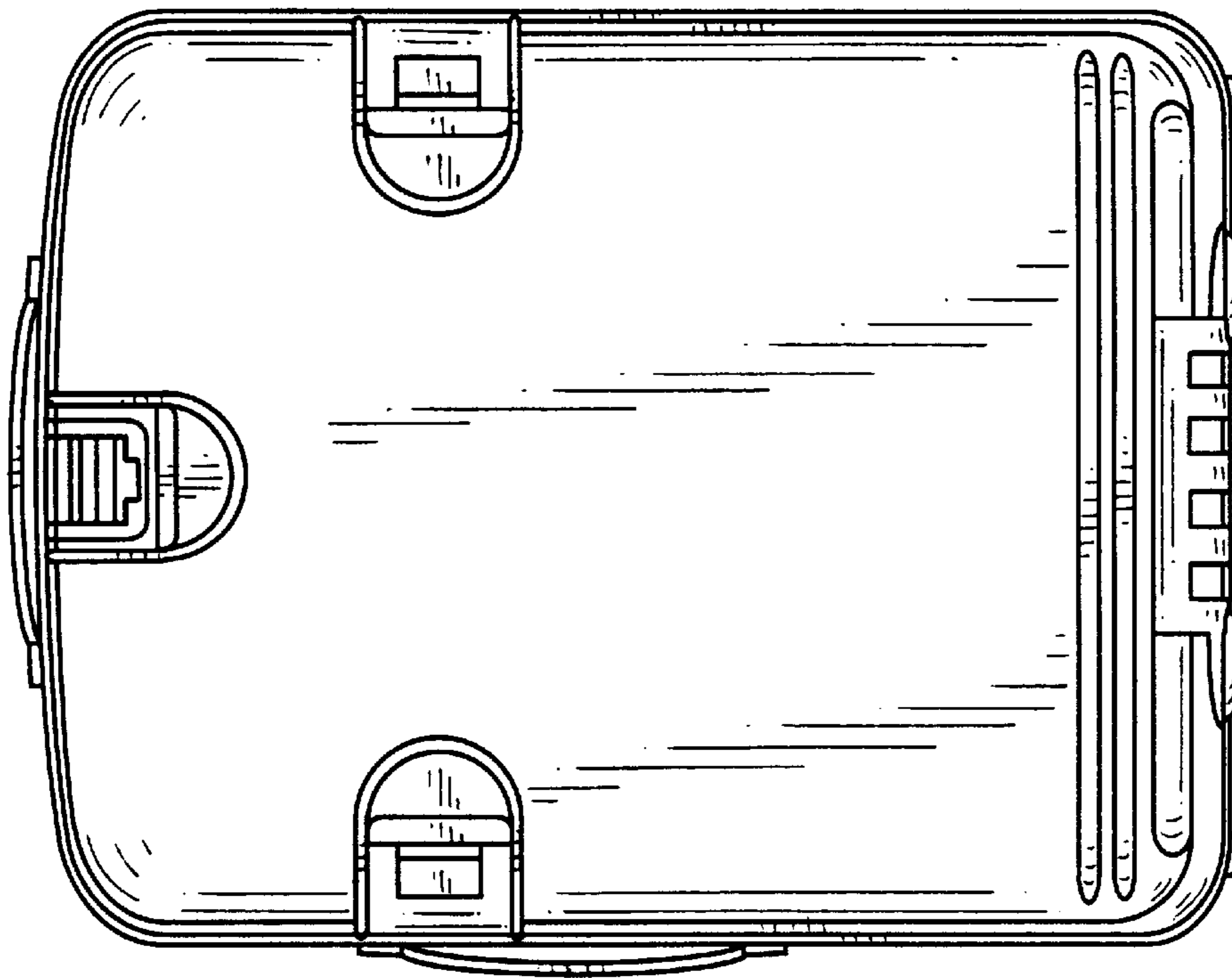


FIG. 6

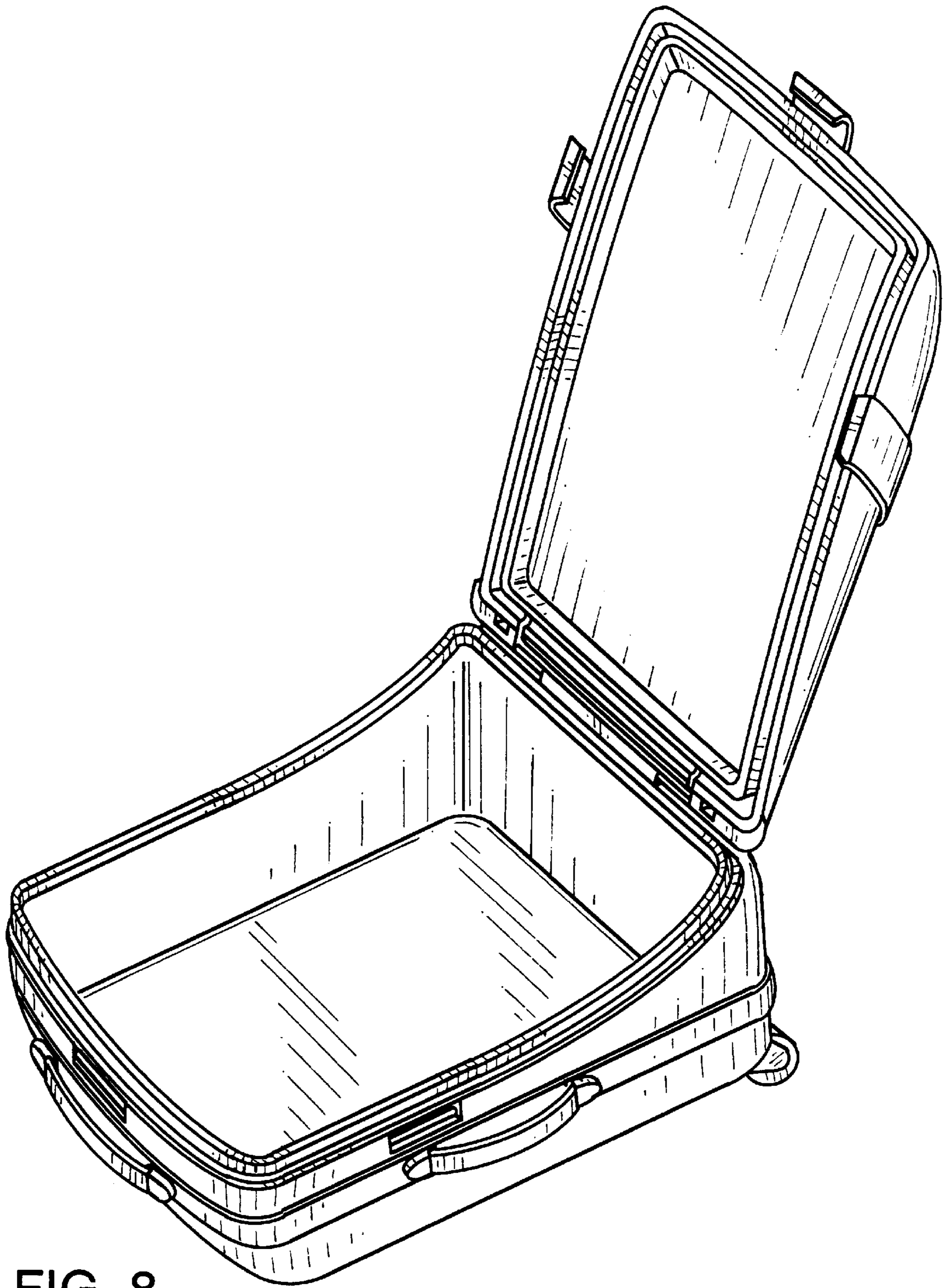


FIG. 8