



US00D438004S

(12) **United States Design Patent**
Watson et al.

(10) **Patent No.:** **US D438,004 S**

(45) **Date of Patent:** **** Feb. 27, 2001**

(54) **VACUUM RESEALABLE DISPLAY AND STORAGE CASE**

D. 419,767 * 2/2000 Richardson et al. D3/279
D. 419,768 * 2/2000 Richardson et al. D3/294
D. 420,796 * 2/2000 Haddock et al. D3/279

(76) Inventors: **Roy Watson**, 58 May St., Fairfield, CT (US) 06432; **Timothy D. Armstrong**, 9812 Emerson Ave. South, Bloomington, MN (US) 55431

* cited by examiner

Primary Examiner—Philip S. Hyder

(74) *Attorney, Agent, or Firm*—Clayton R. Johnson

(**) Term: **14 Years**

(57) **CLAIM**

(21) Appl. No.: **29/126,815**

The ornamental design for a vacuum resealable display and storage case, as shown and described.

(22) Filed: **Jul. 26, 2000**

DESCRIPTION

(51) **LOC (7) Cl.** **03-01**

(52) **U.S. Cl.** **D3/276; D3/273**

(58) **Field of Search** D3/269, 272, 273, D3/274, 276, 279, 282, 294, 900, 905; 190/18 A, 100, 110, 111, 112, 113

FIG. 1 is top perspective view of the vacuum resealable display and storage case of our new design, in a closed condition;

FIG. 2 is a front elevation view thereof;

FIG. 3 is top view thereof;

FIG. 4 is a back view thereof;

FIG. 5 is a bottom view thereof;

FIG. 6 is an end view thereof;

FIG. 7 is a view of the opposite end thereof;

FIG. 8 is a back perspective view of the vacuum resealable display case in a display condition; and,

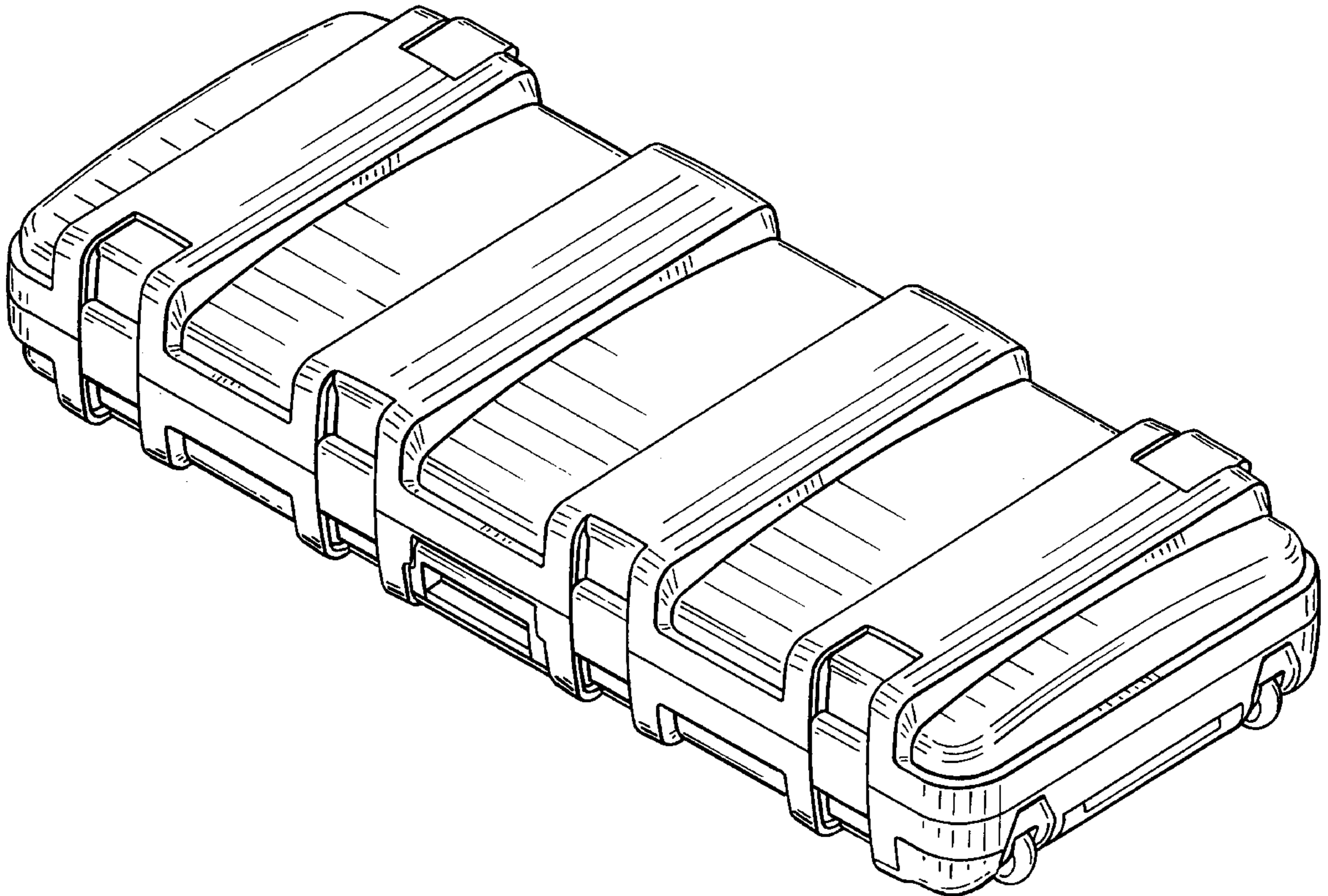
FIG. 9 is top perspective view of the vacuum resealable display case in an open condition.

(56) **References Cited**

U.S. PATENT DOCUMENTS

- D. 294,080 * 2/1988 Golia et al. D3/272
- D. 335,030 * 4/1993 Alfonso D3/279
- D. 339,227 * 9/1993 Fritze et al. D3/279
- D. 360,527 * 7/1995 Corney et al. D3/279
- D. 374,772 * 10/1996 Hotaling et al. D3/279
- D. 407,899 * 4/1999 Oakes et al. D3/279
- D. 411,662 * 6/1999 Carter D3/279

1 Claim, 6 Drawing Sheets



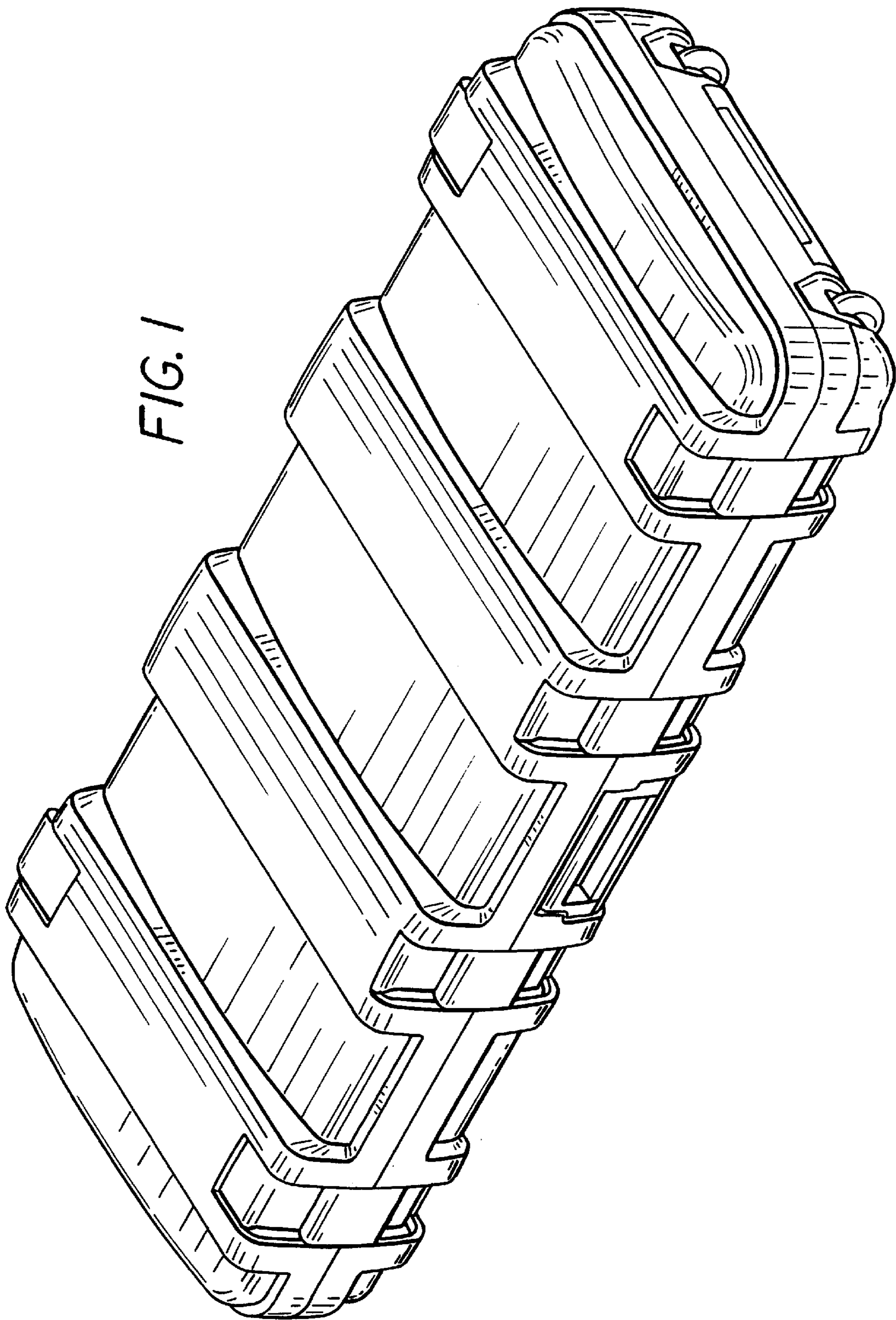


FIG. 2

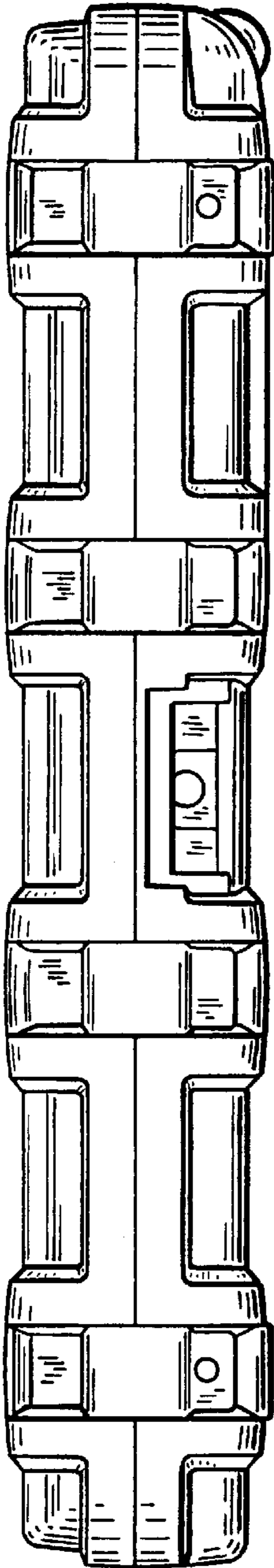


FIG. 3

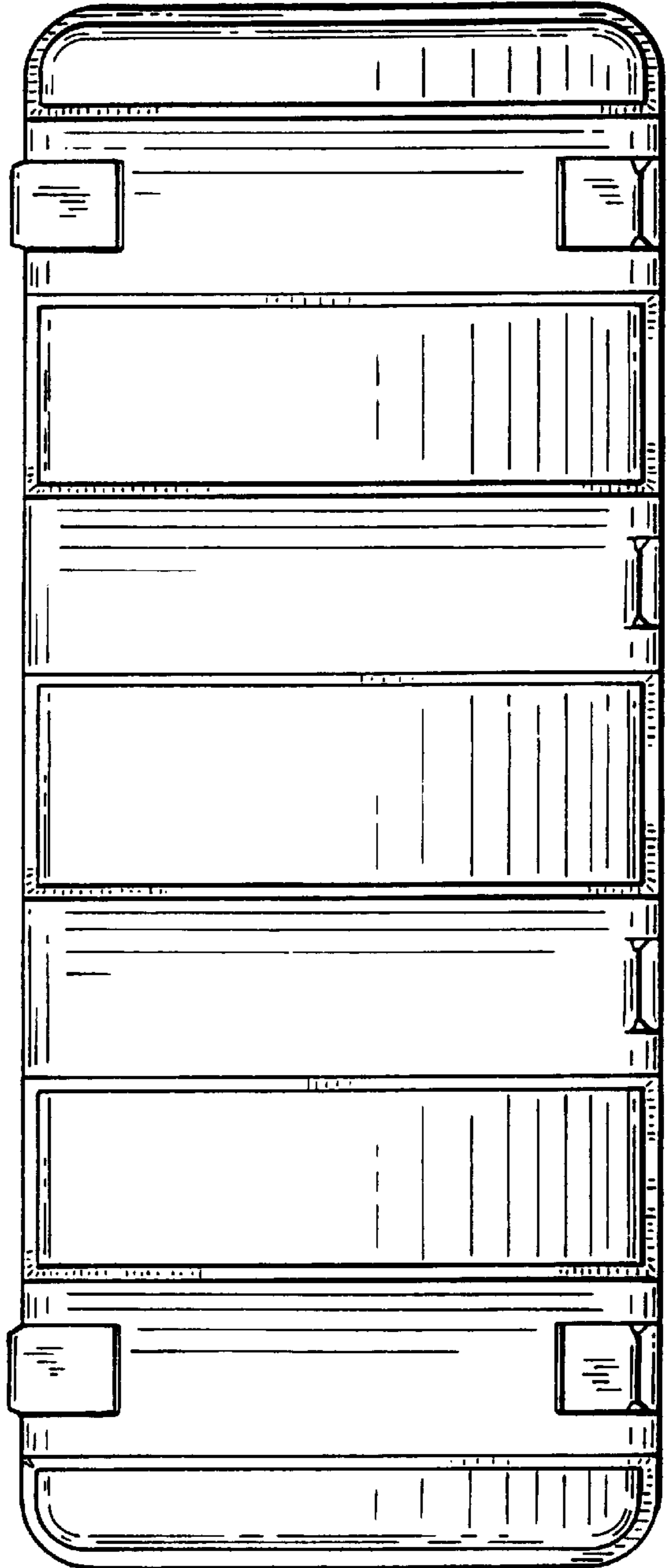


FIG. 4

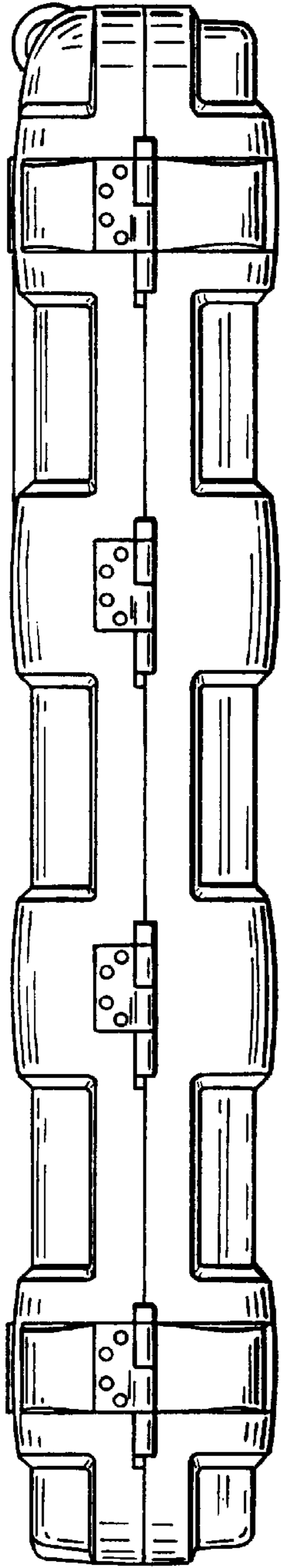


FIG. 5

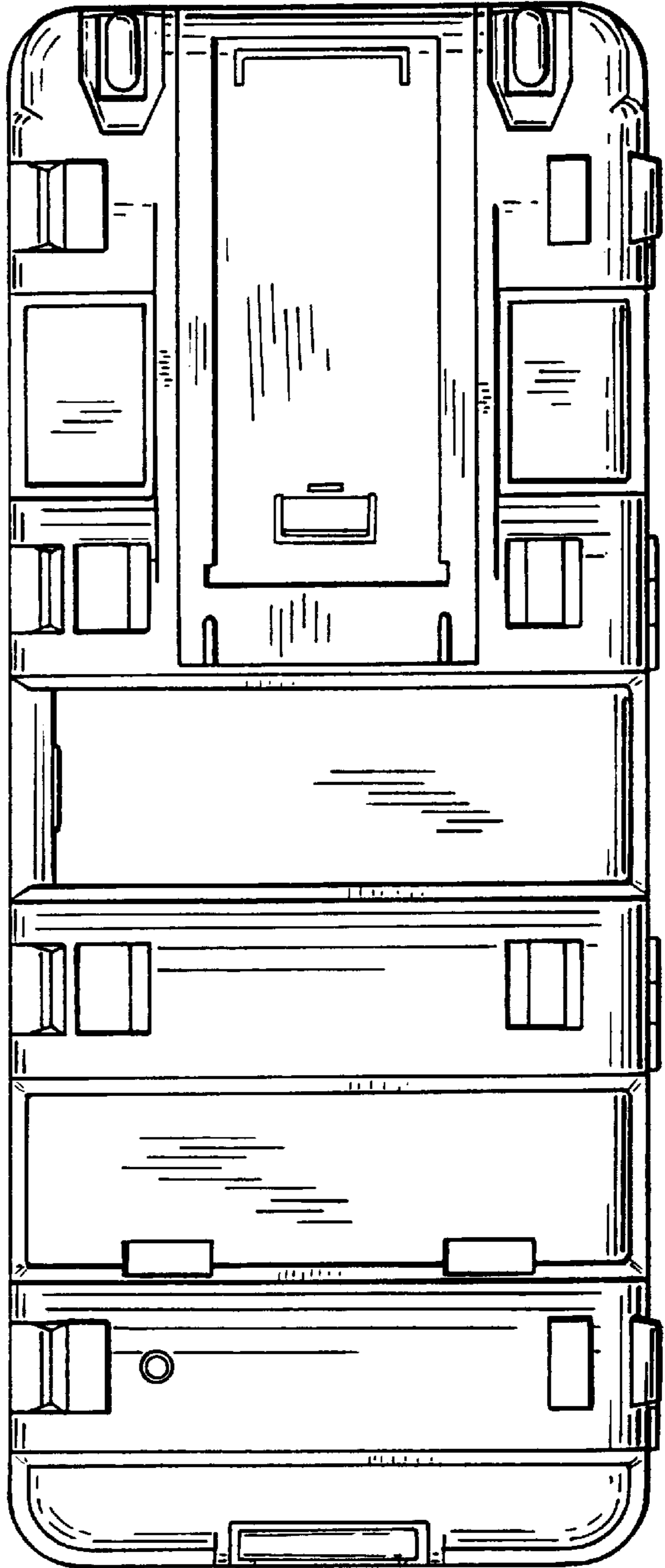


FIG. 6

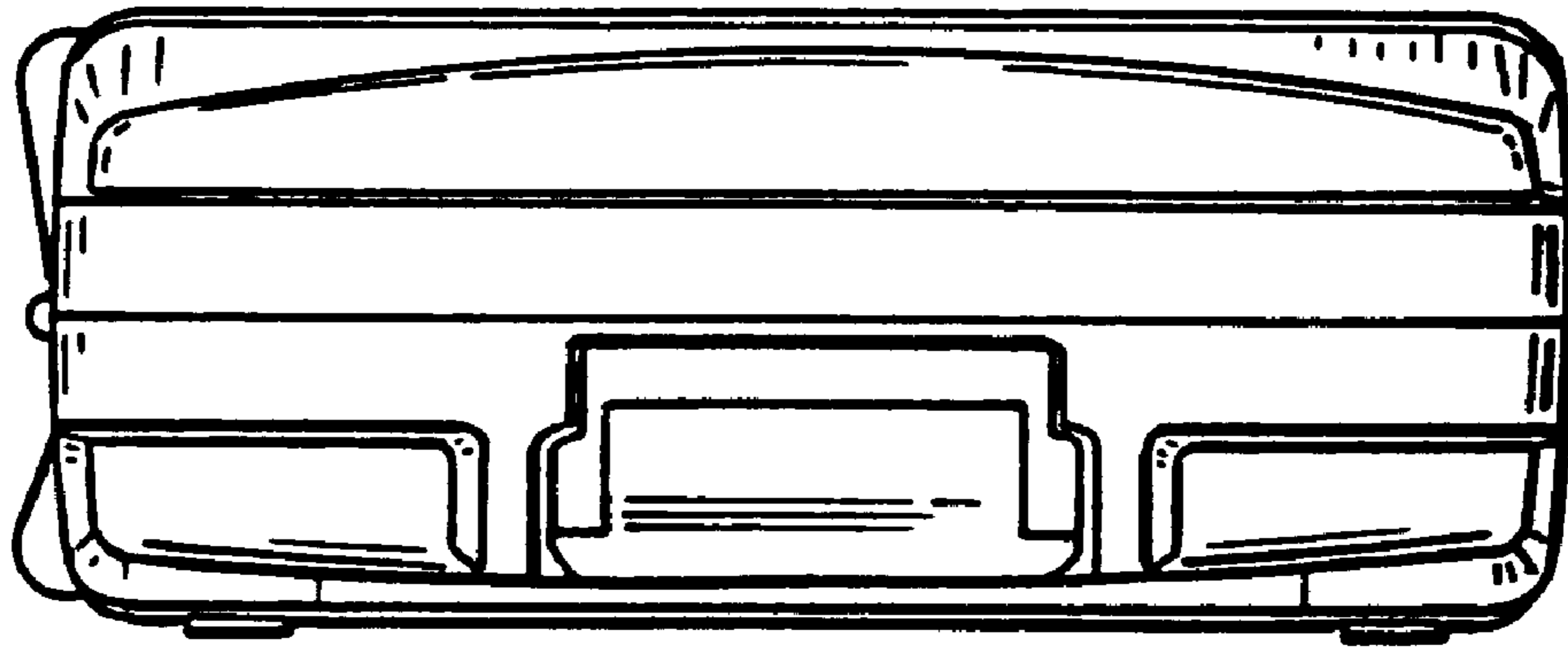


FIG. 7

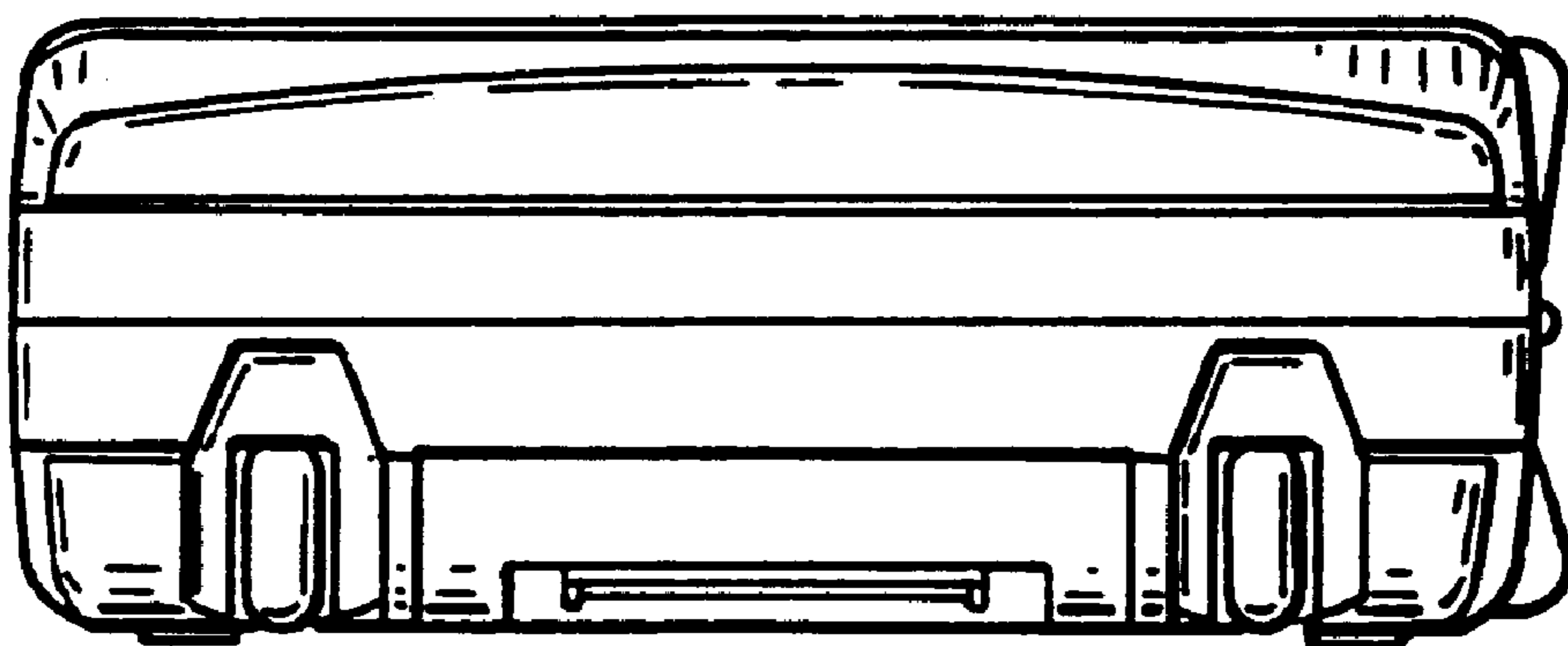
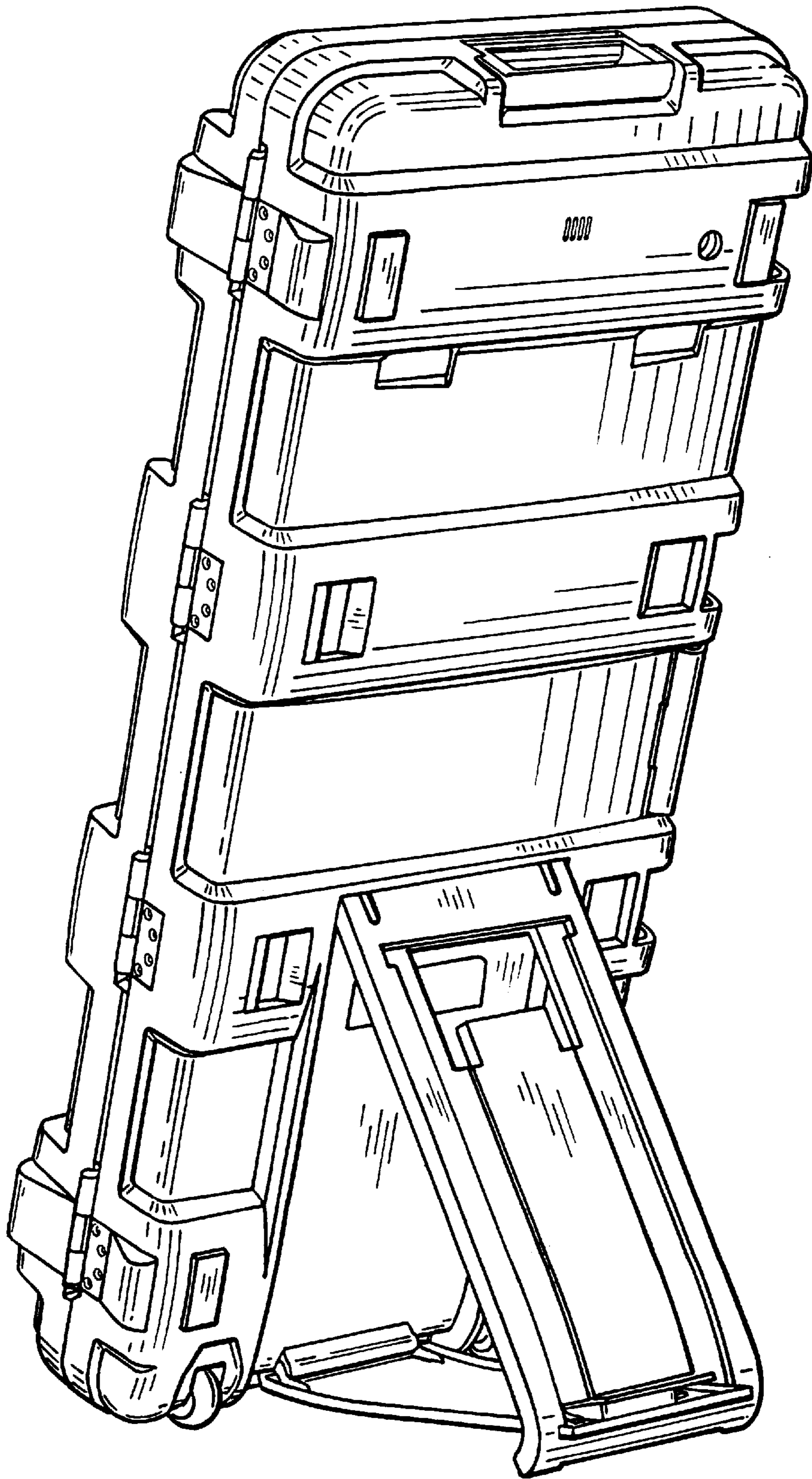


FIG. 8



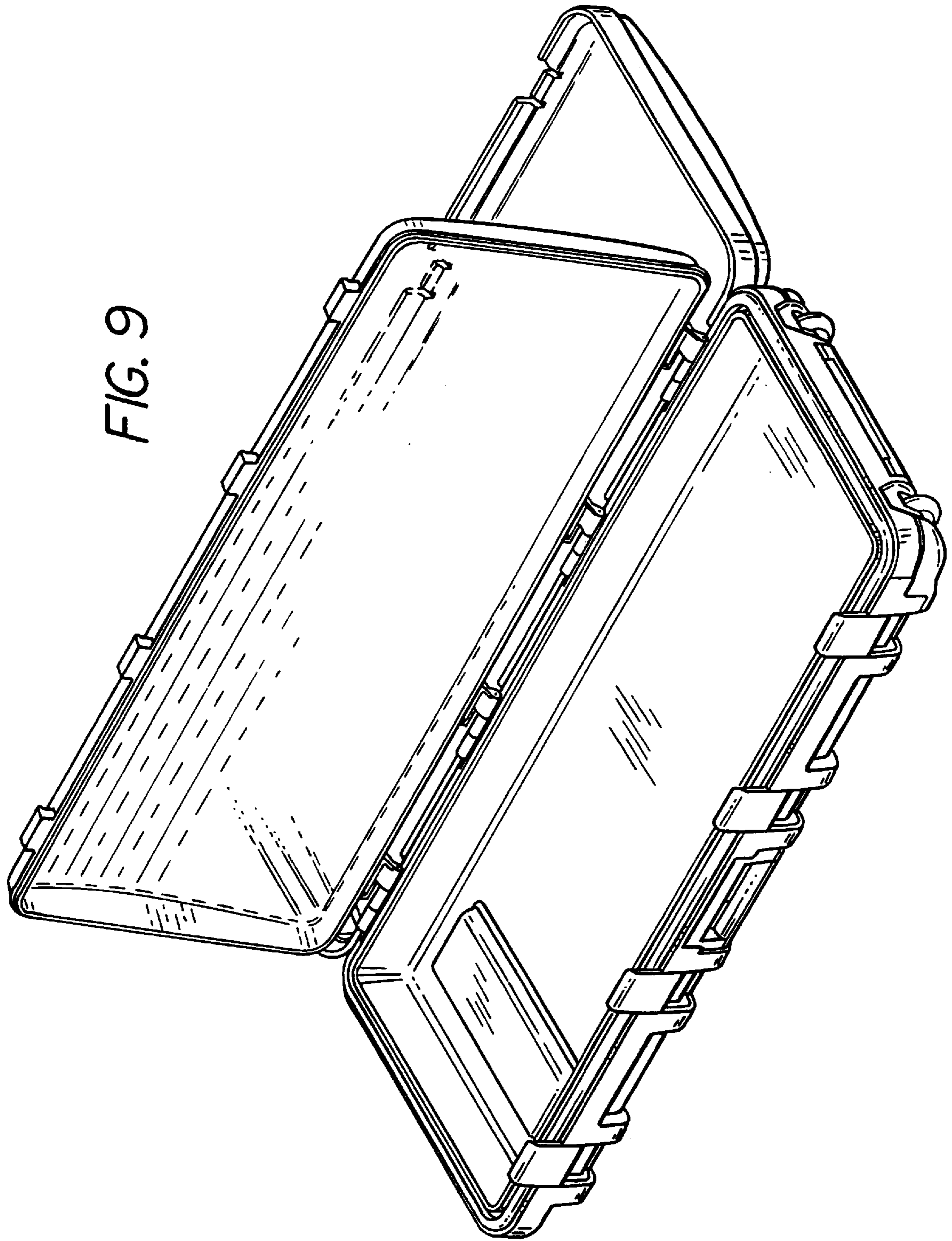


FIG. 9