



US00D437998S

(12) **United States Design Patent**
Williamson

(10) **Patent No.:** **US D437,998 S**

(45) **Date of Patent:** **** Feb. 27, 2001**

(54) **PORTABLE DRILL HOLSTER**

(75) **Inventor:** **Neal Williamson, San Antonio, TX (US)**

(73) **Assignee:** **Rooster Products International, Inc., San Antonio, TX (US)**

(**) **Term:** **14 Years**

(21) **Appl. No.:** **29/121,607**

(22) **Filed:** **Apr. 11, 2000**

(51) **LOC (7) Cl.** **03-01**

(52) **U.S. Cl.** **D3/228**

(58) **Field of Search** **D3/228, 222, 223;**
224/904, 236, 240, 232, 901, 193, 242,
243, 911

(56) **References Cited**

U.S. PATENT DOCUMENTS

- D. 333,215 * 2/1993 Brown D3/228
- D. 356,677 * 3/1995 Kalasountas D3/222
- D. 409,831 * 5/1999 Lyles et al. D3/228

- D. 414,331 * 9/1999 Lichtenberger D3/228
- D. 414,337 * 9/1999 Hubert D3/222 X
- 4,917,281 * 4/1990 Ostermiller 224/904 X
- 4,953,767 * 9/1990 Bennett 224/904 X
- 5,984,046 * 11/1999 Urso, Jr. 224/904 X

* cited by examiner

Primary Examiner—Louis S. Zarfes

Assistant Examiner—Catherine R Oliver

(74) *Attorney, Agent, or Firm*—Neal Williamson

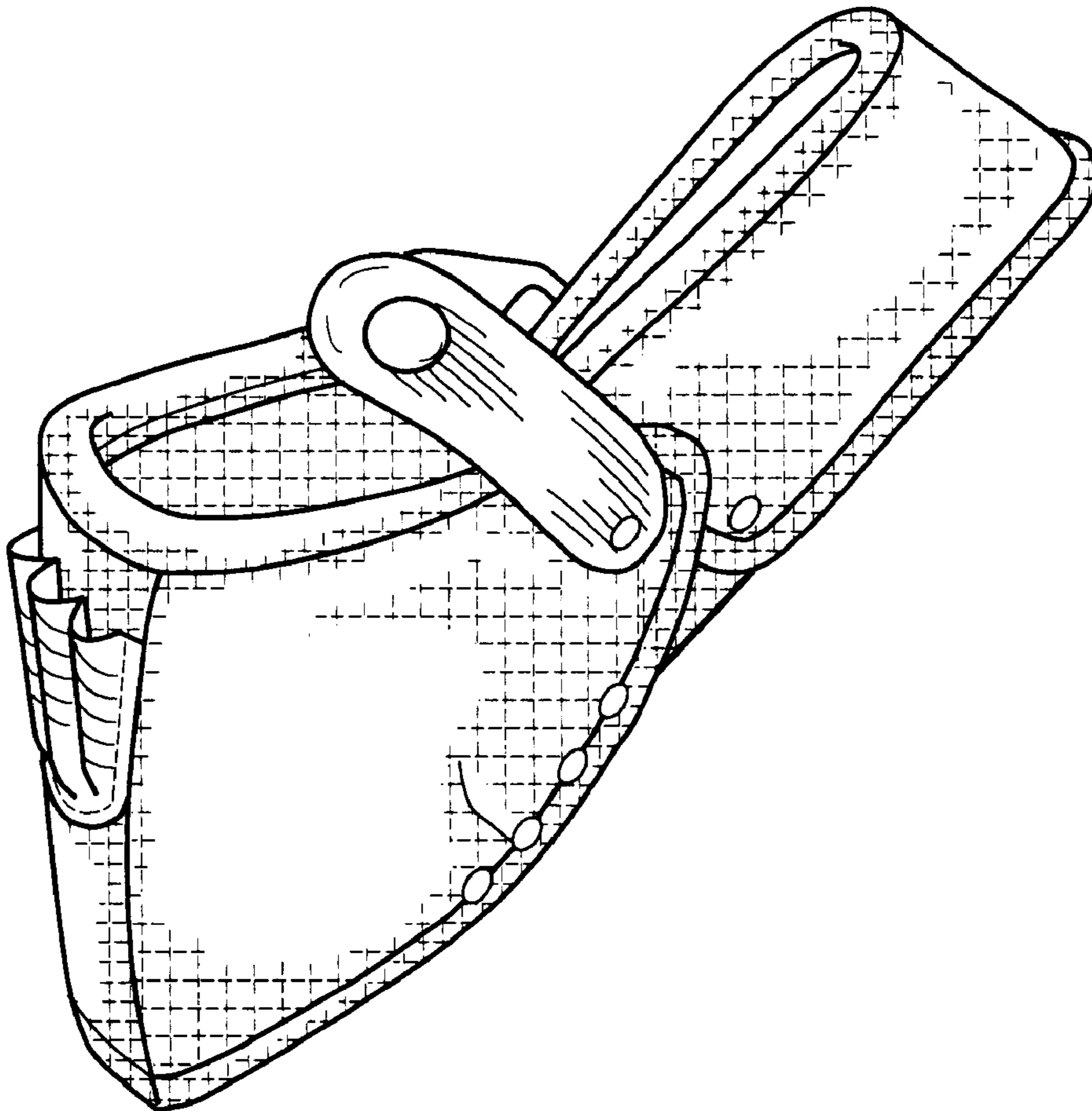
(57) **CLAIM**

The ornamental design for “portable drill holster,” as shown and described.

DESCRIPTION

FIG. 1 is a top plan view;
 FIG. 2 is a left side elevational view;
 FIG. 3 is a front elevational view;
 FIG. 4 is a right side elevational view;
 FIG. 5 is a rear elevational view thereof;
 FIG. 6 is a bottom plan view thereof; and,
 FIG. 7 is a perspective view.

1 Claim, 3 Drawing Sheets



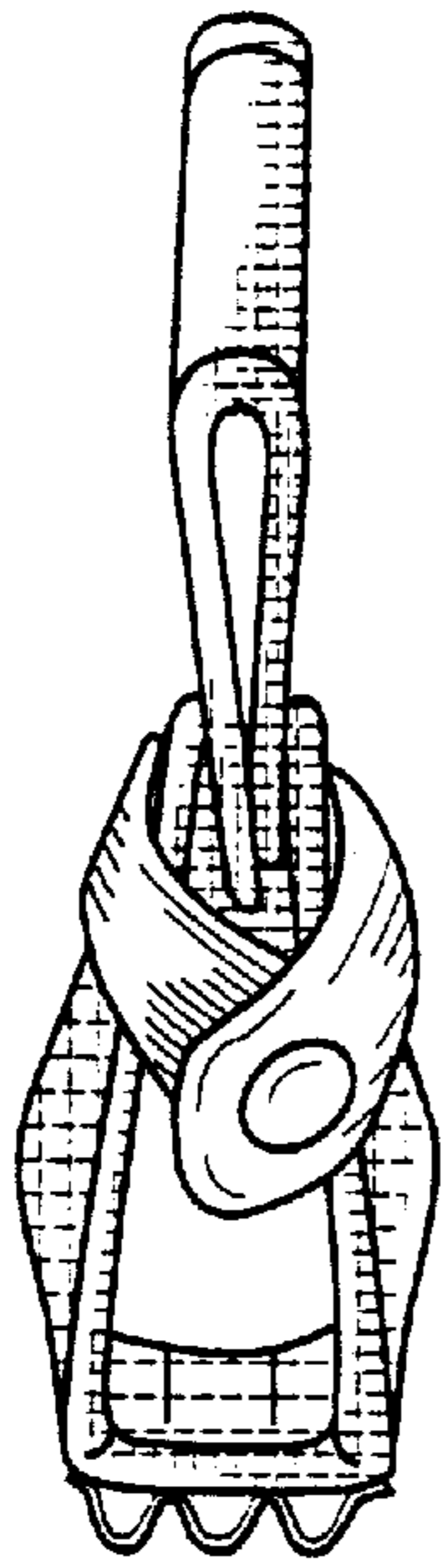


Fig. 1

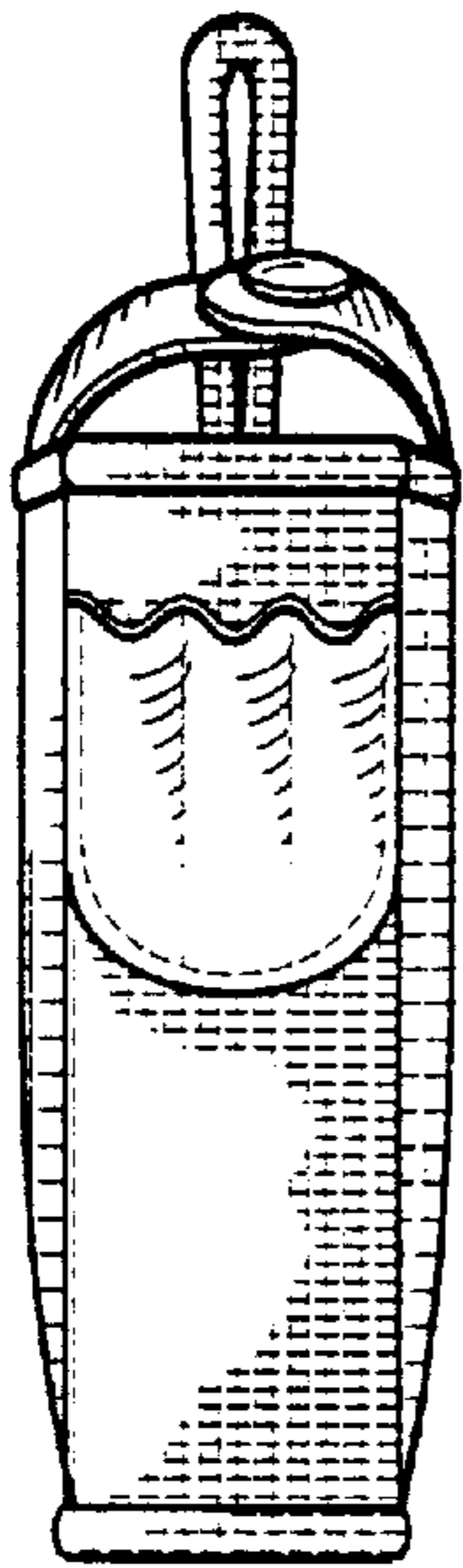


Fig. 2

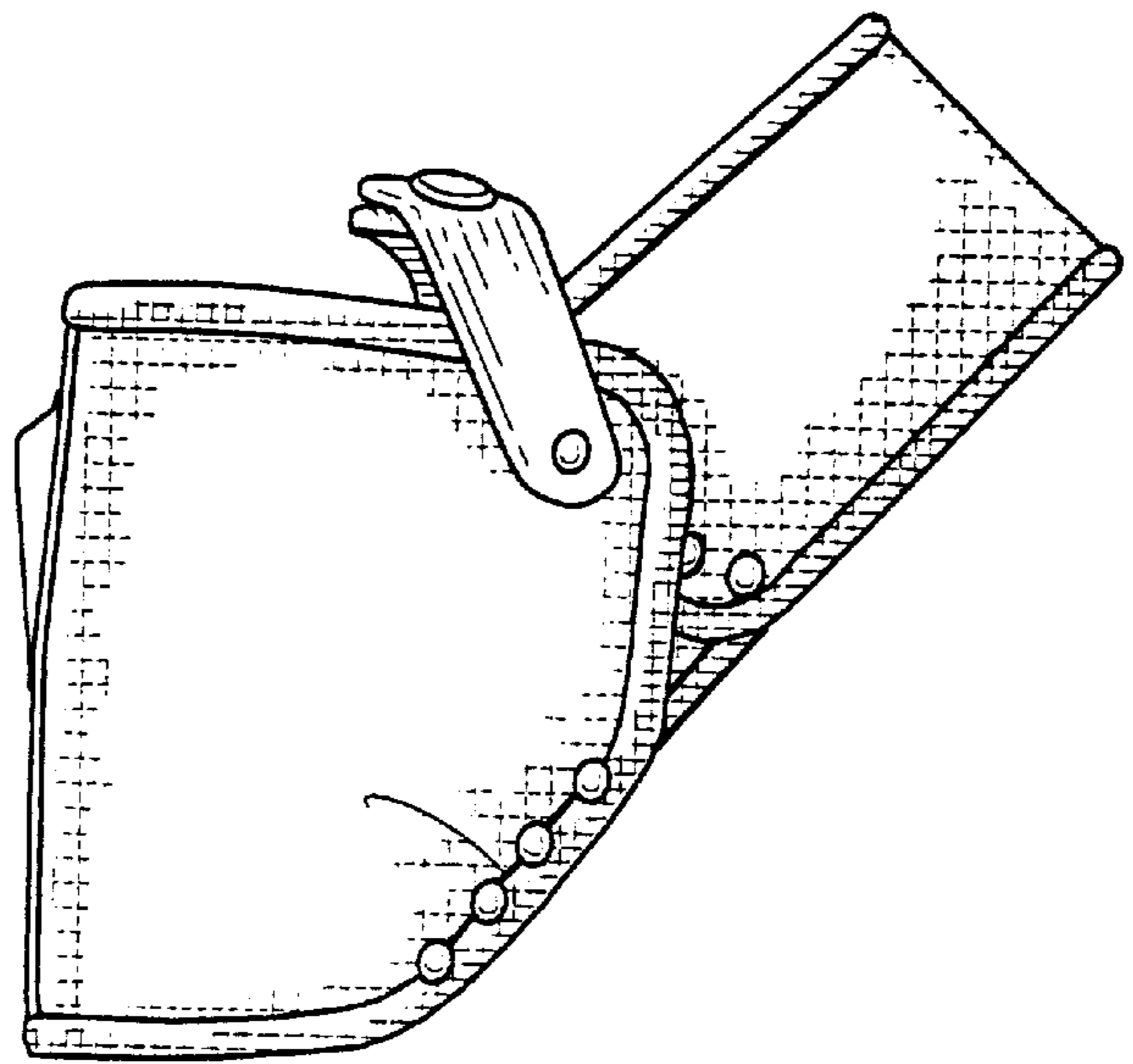


Fig. 3

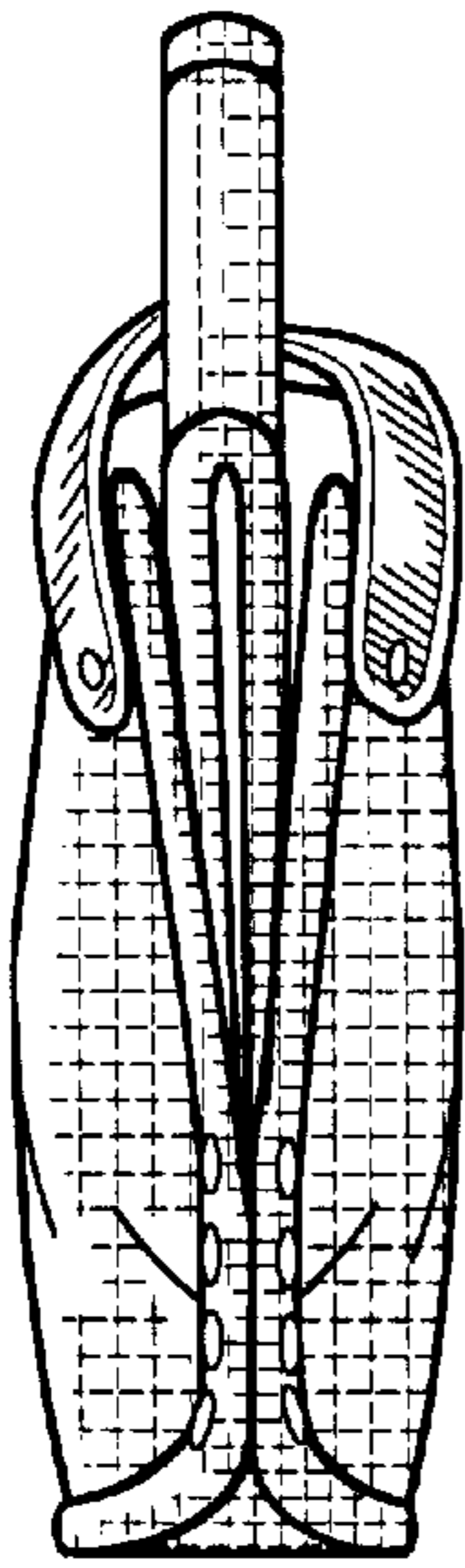


Fig. 4

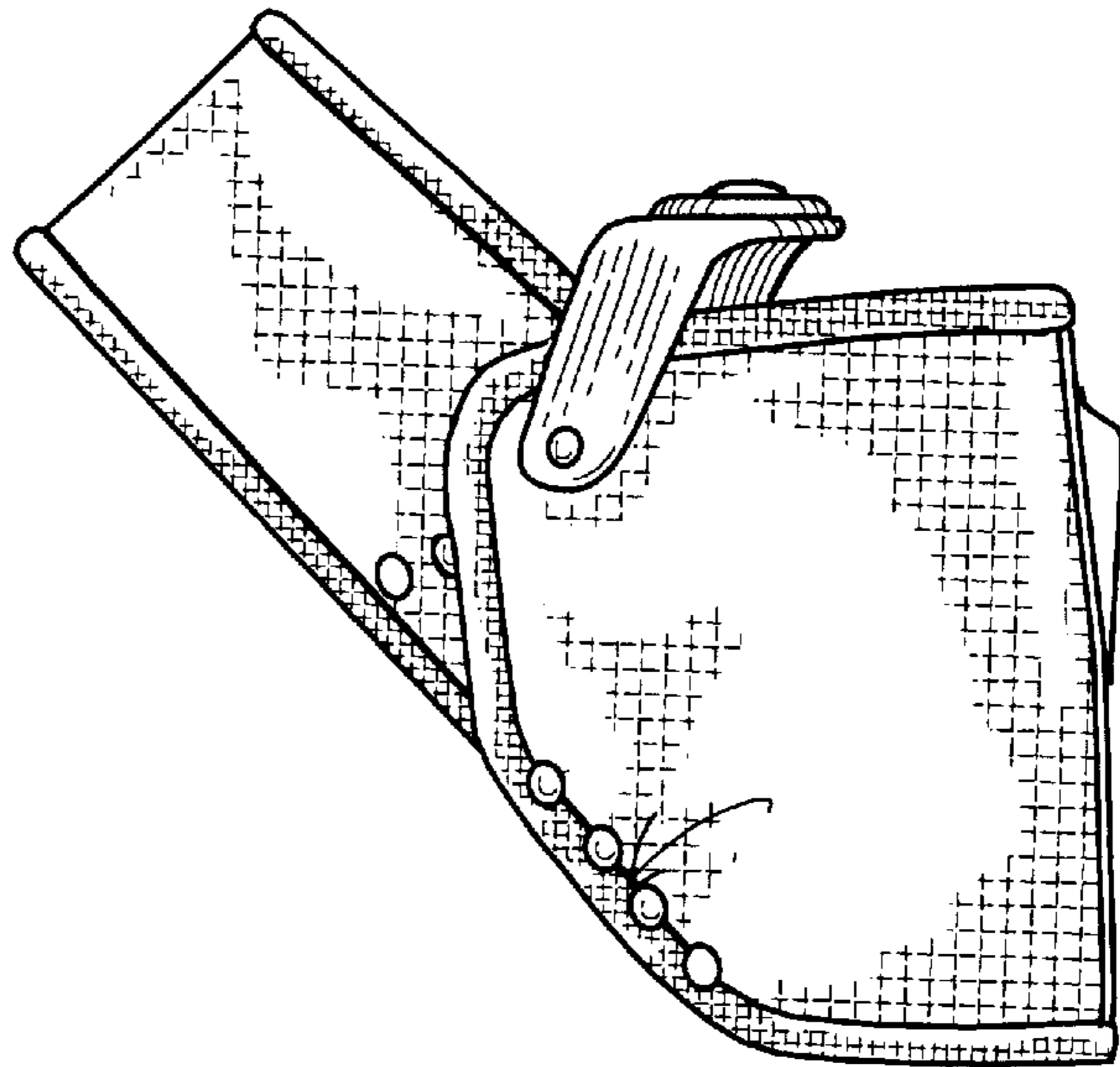


Fig. 5

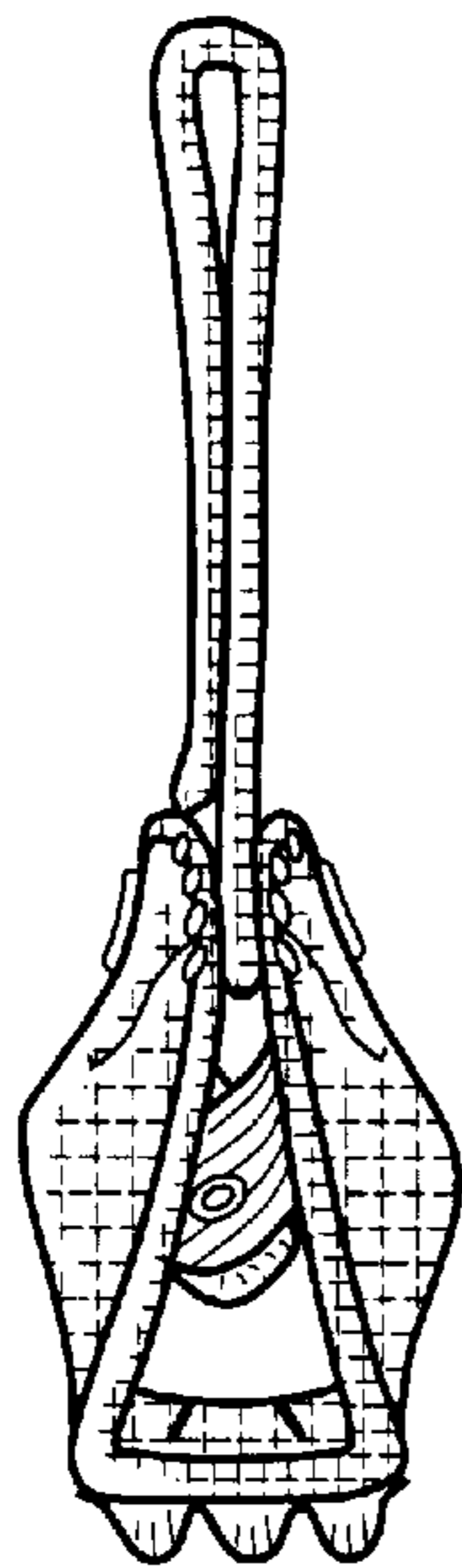


Fig. 6

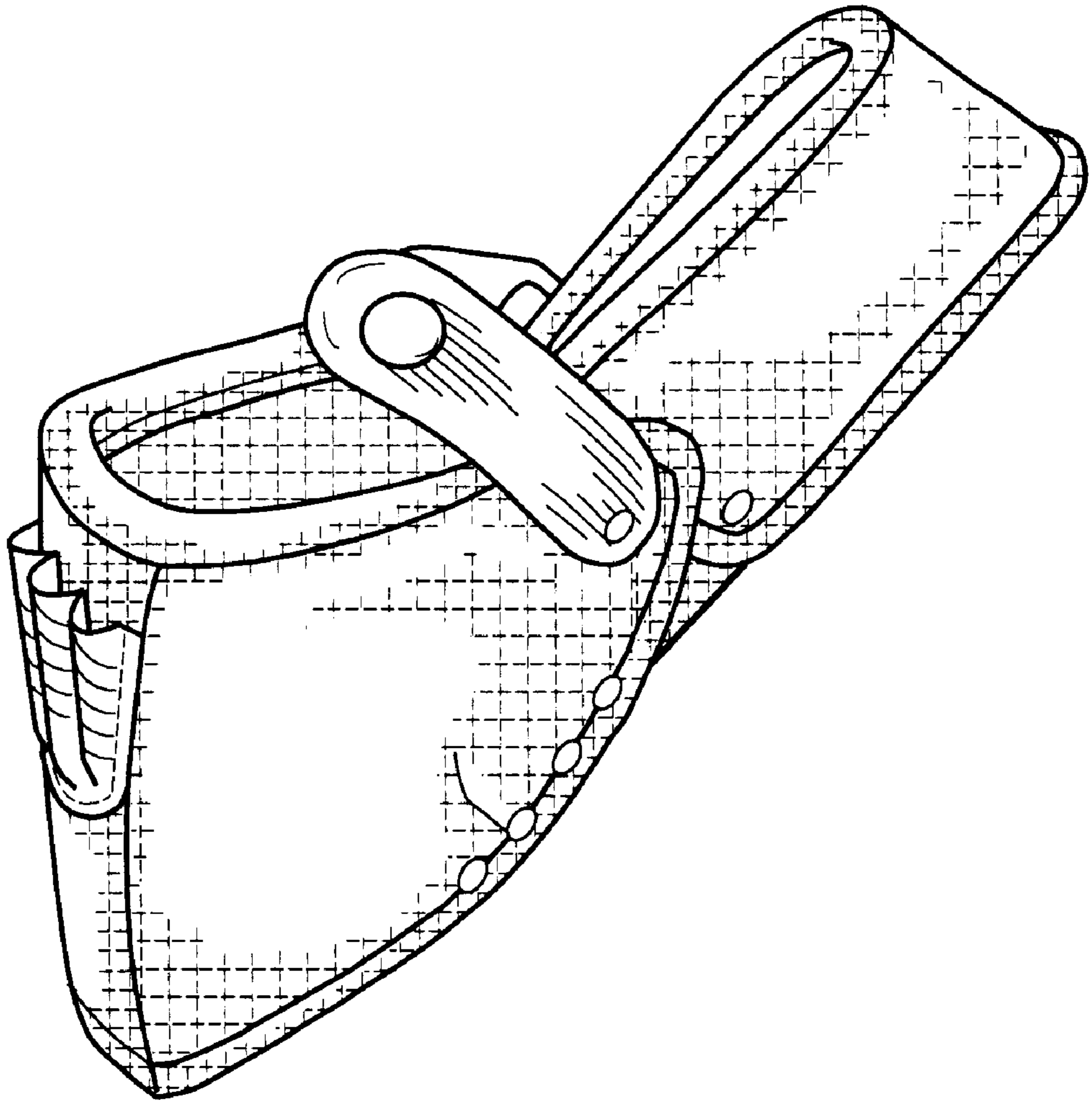


Fig. 7