



US00D437985S

(12) **United States Design Patent**  
**Wu**

(10) **Patent No.:** **US D437,985 S**

(45) **Date of Patent:** **\*\* Feb. 20, 2001**

(54) **GOLF CART**

6,120,053 \* 9/2000 DeAngelis ..... 280/641

(75) Inventor: **Fang-Li Wu**, Tainan Hsien (TW)

\* cited by examiner

(73) Assignee: **Sports World Enterprise Co., Ltd.**,  
Tainan Hsien (TW)

*Primary Examiner*—Kay H. Chin

(74) *Attorney, Agent, or Firm*—Rosenberg, Klein & Lee

(\*\*) Term: **14 Years**

(57) **CLAIM**

(21) Appl. No.: **29/122,716**

The ornamental design for a golf cart, as shown and described.

(22) Filed: **May 3, 2000**

**DESCRIPTION**

(51) **LOC (7) Cl.** ..... **12-02**

(52) **U.S. Cl.** ..... **D34/15**

(58) **Field of Search** ..... D34/12-27; 280/DIG. 5,  
280/DIG. 6; 180/19.3, 19.1, 215, 216, 907

FIG. 1 is a perspective view of a golf cart showing my new design;

FIG. 2 is a front elevational view thereof;

FIG. 3 is a rear elevational view thereof;

FIG. 4 is a left side elevational view thereof;

FIG. 5 is a right side elevational view thereof;

FIG. 6 is a top plan view thereof; and,

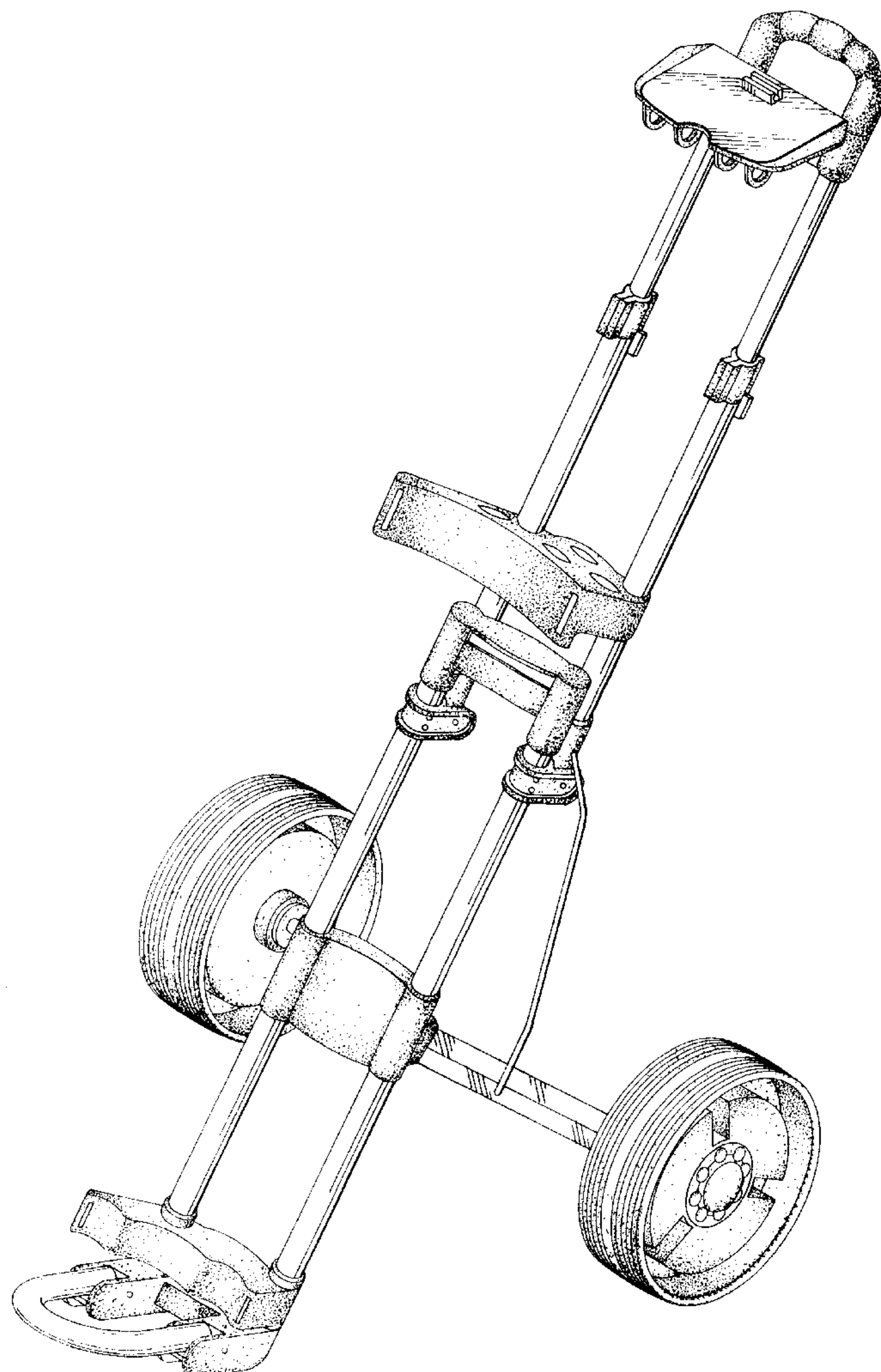
FIG. 7 is a bottom plan view thereof.

(56) **References Cited**

**U.S. PATENT DOCUMENTS**

- D. 423,746 \* 4/2000 Liao ..... D34/15
- 5,427,403 \* 6/1995 Hsiao ..... 280/646
- 6,099,024 \* 8/2000 Liao ..... 280/655

**1 Claim, 7 Drawing Sheets**



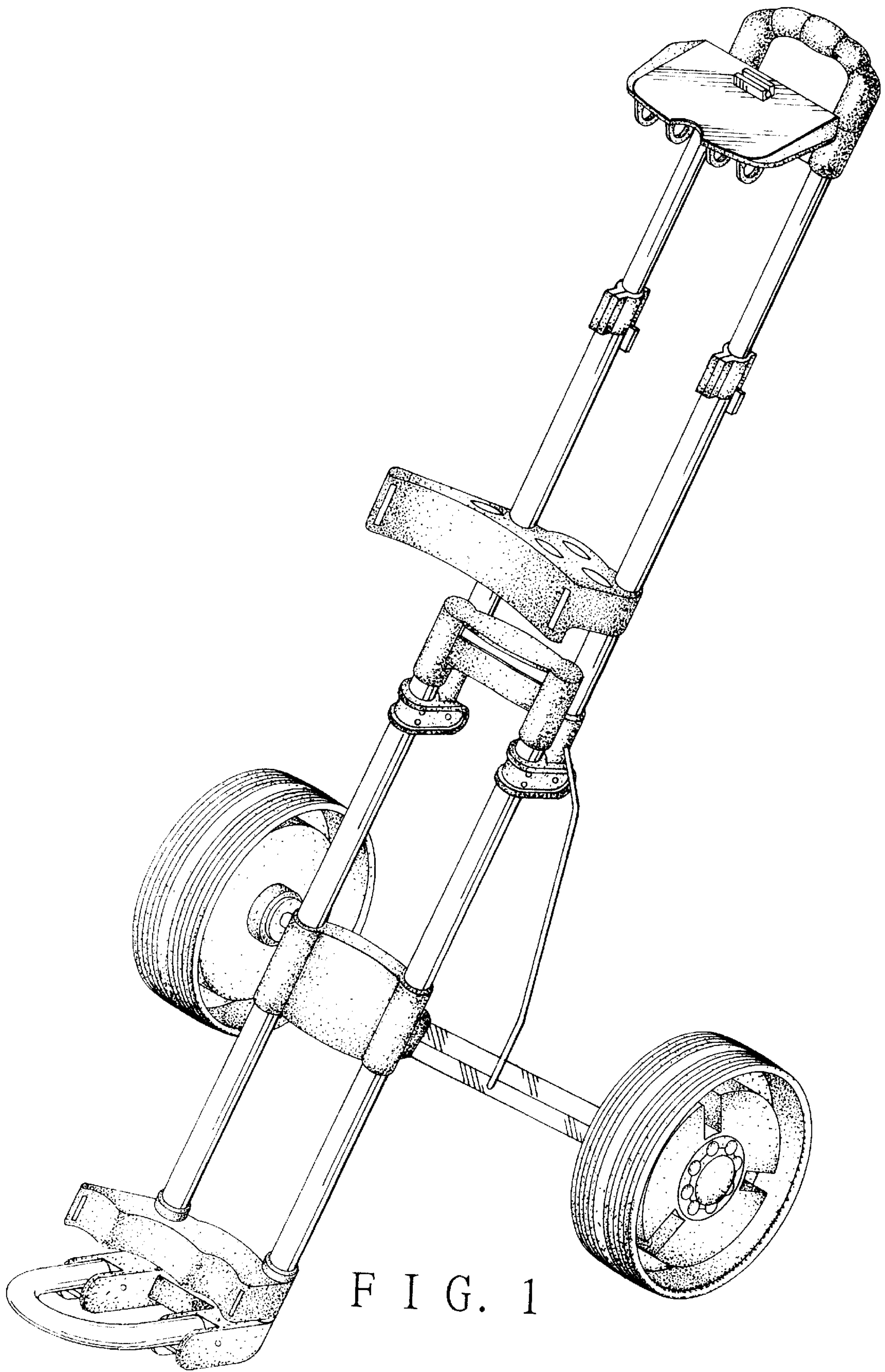


FIG. 1

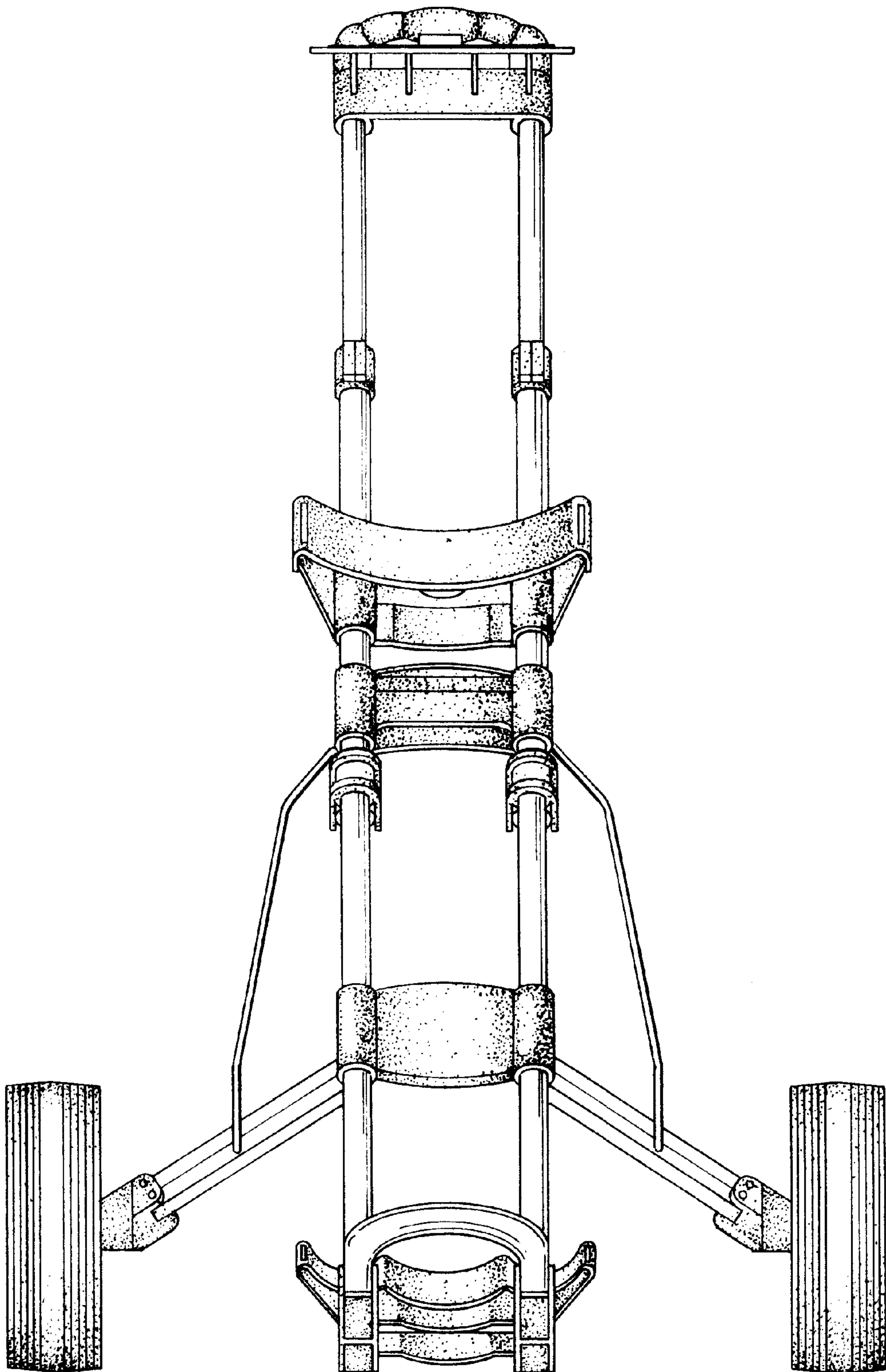
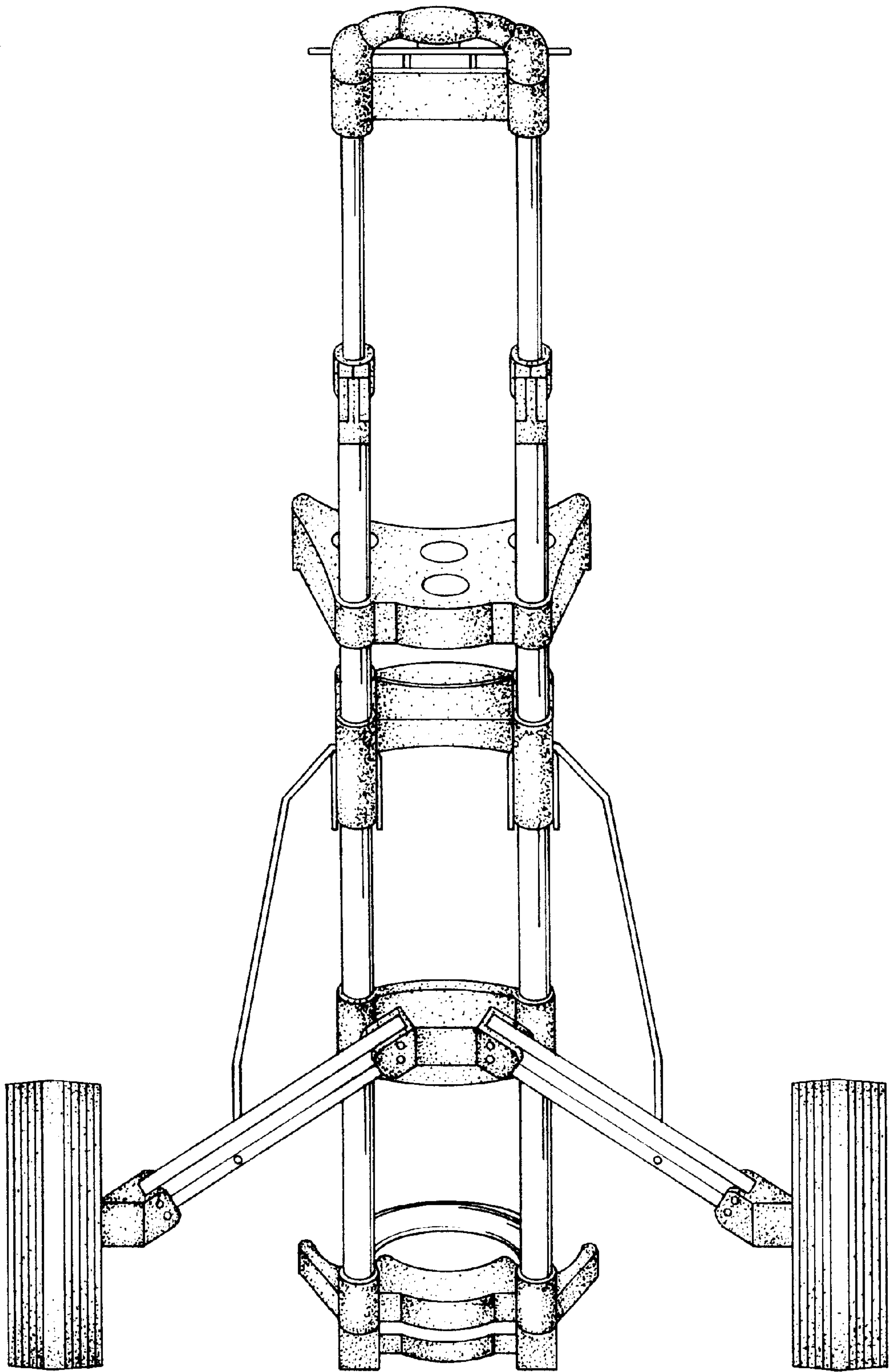


FIG. 2





F I G . 3

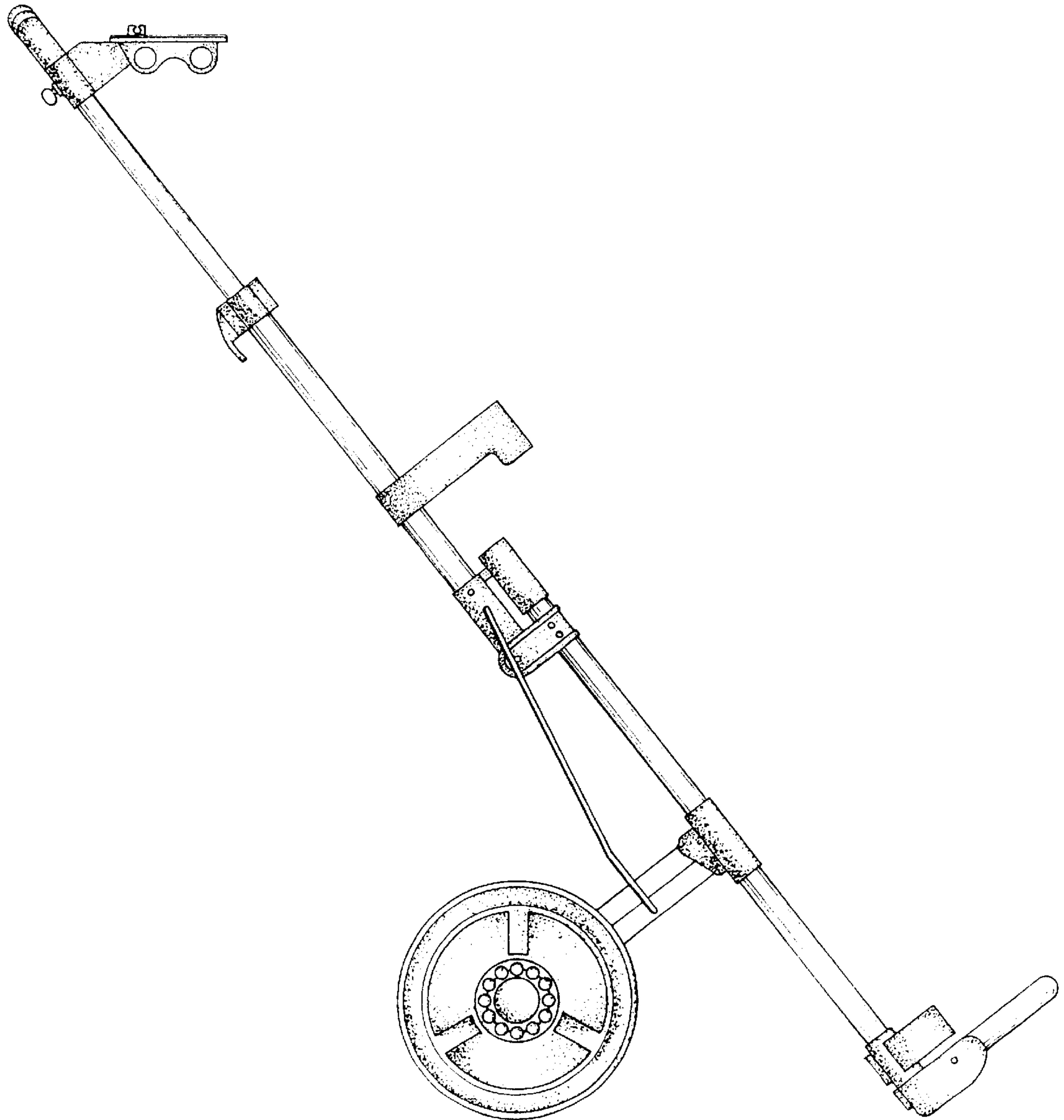


FIG. 4

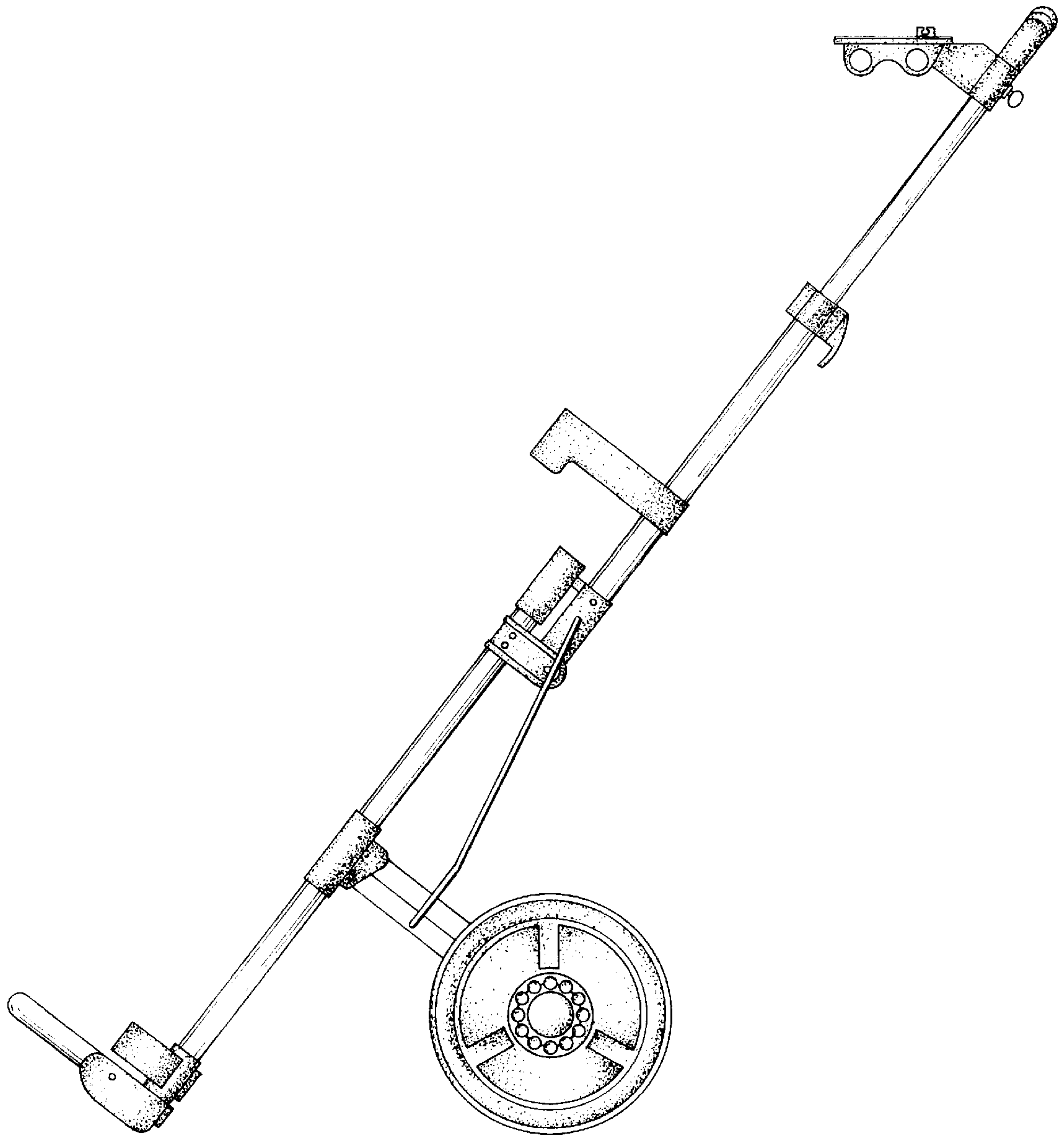
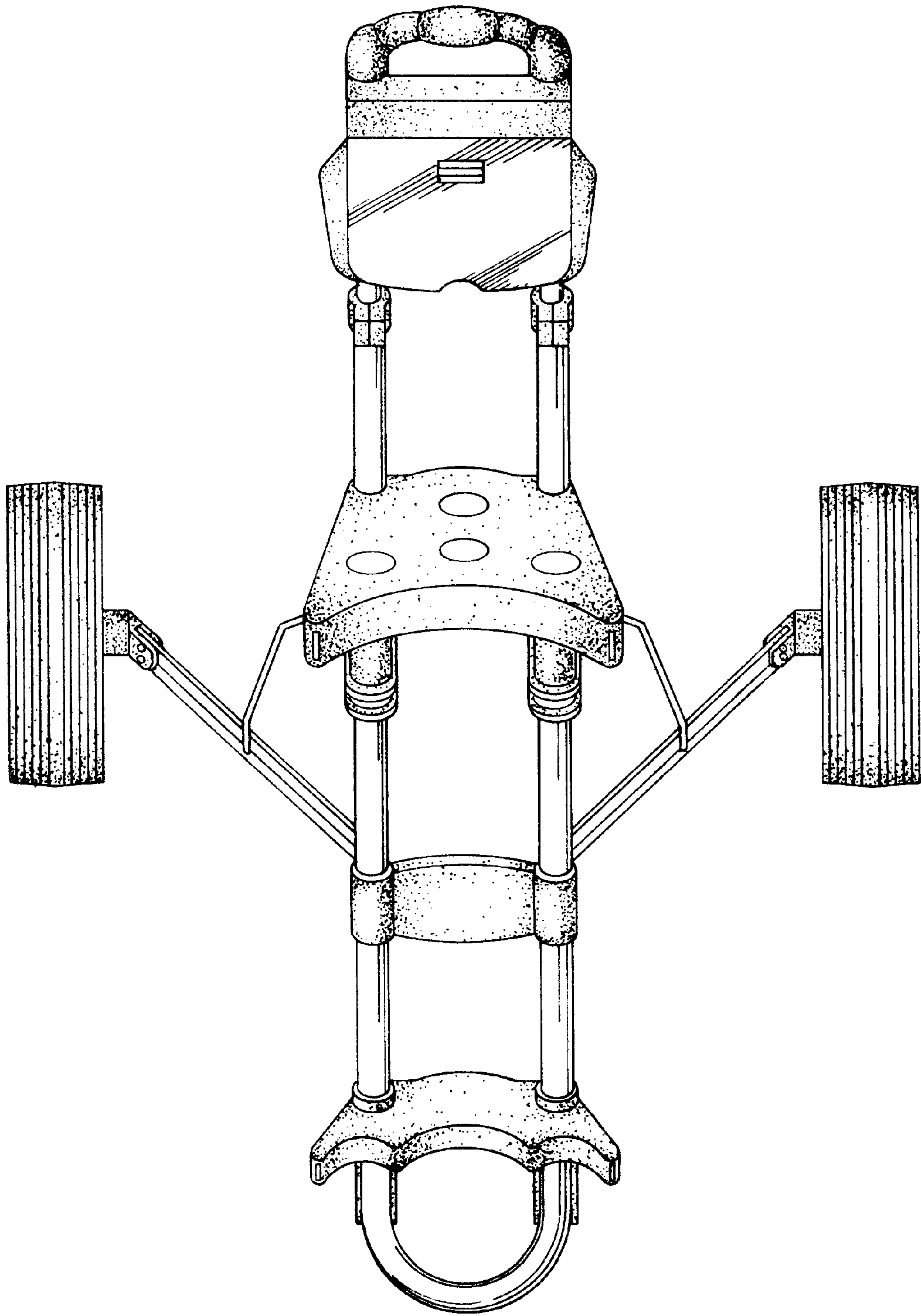


FIG. 5



F I G . 6



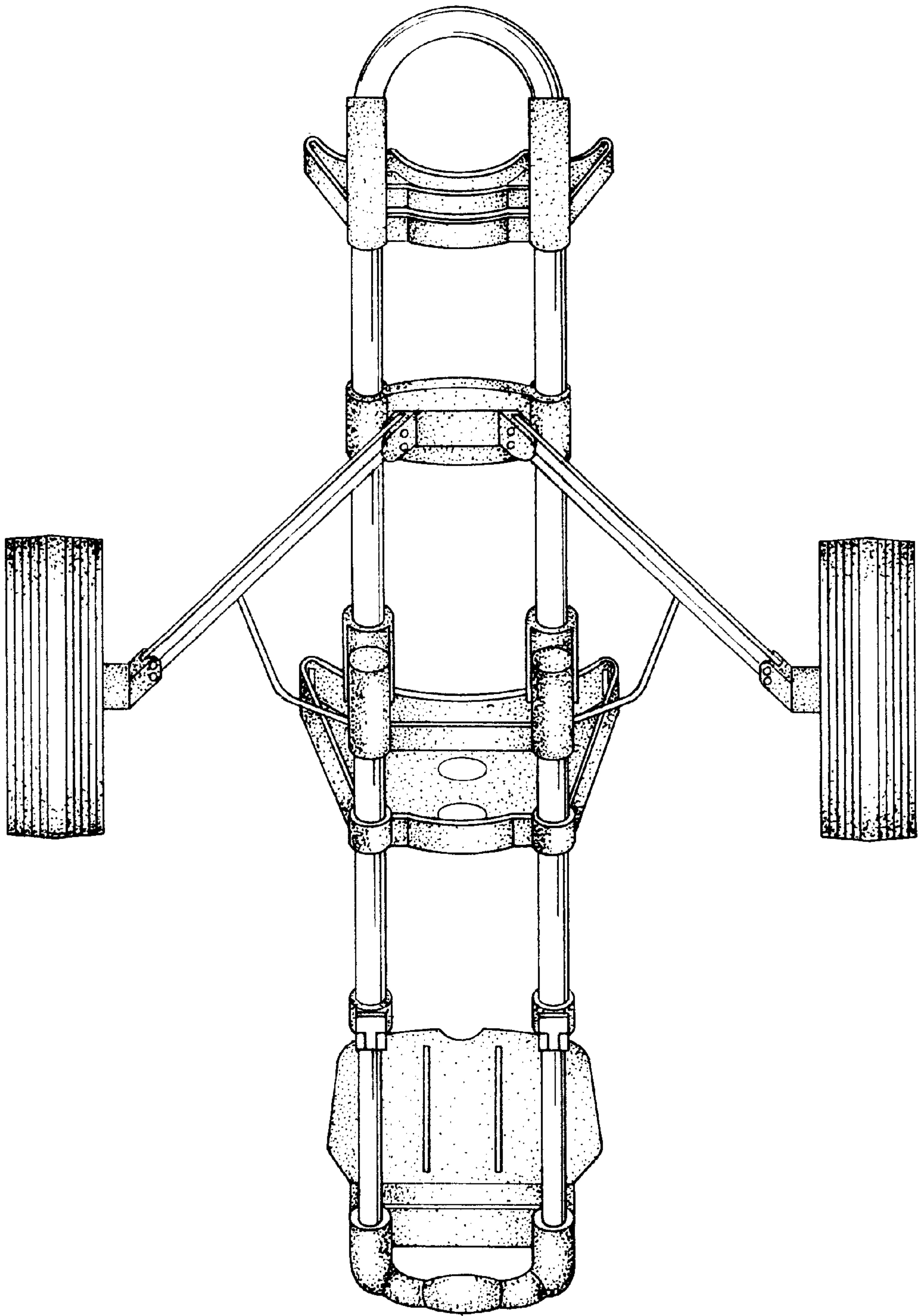


FIG. 7