



US00D437984S

(12) **United States Design Patent**
Weiss et al.

(10) **Patent No.:** **US D437,984 S**

(45) **Date of Patent:** **** Feb. 20, 2001**

(54) **RECTANGULAR STEEL MESH RECEPTACLE**

(75) Inventors: **Richard E. Weiss; Sam Weiss**, both of Pottsville, PA (US)

D. 369,262 * 4/1996 Aaron D34/1 X
D. 387,557 * 12/1997 Provot D3/304 X
D. 393,766 * 4/1998 Mazzola et al. D3/306 X
D. 418,651 * 1/2000 Dionne et al. D34/1
D. 421,168 * 2/2000 France D34/1

(73) Assignee: **United Metal Receptacle, Inc.**, Pottsville, PA (US)

* cited by examiner

(**) Term: **14 Years**

Primary Examiner—Cynthia E. Ramirez
(74) *Attorney, Agent, or Firm*—Duane, Morris & Heckscher LLP

(21) Appl. No.: **29/120,793**

(57) **CLAIM**

(22) Filed: **Mar. 27, 2000**

The ornamental design for a rectangular steel mesh receptacle, as shown and described.

(51) **LOC (7) Cl.** **09-09**

DESCRIPTION

(52) **U.S. Cl.** **D34/1**

(58) **Field of Search** D34/1, 5, 6, 7, D34/10, 11; D32/37; 220/908, 909, 910, 911, 675; D3/304, 306; D19/75

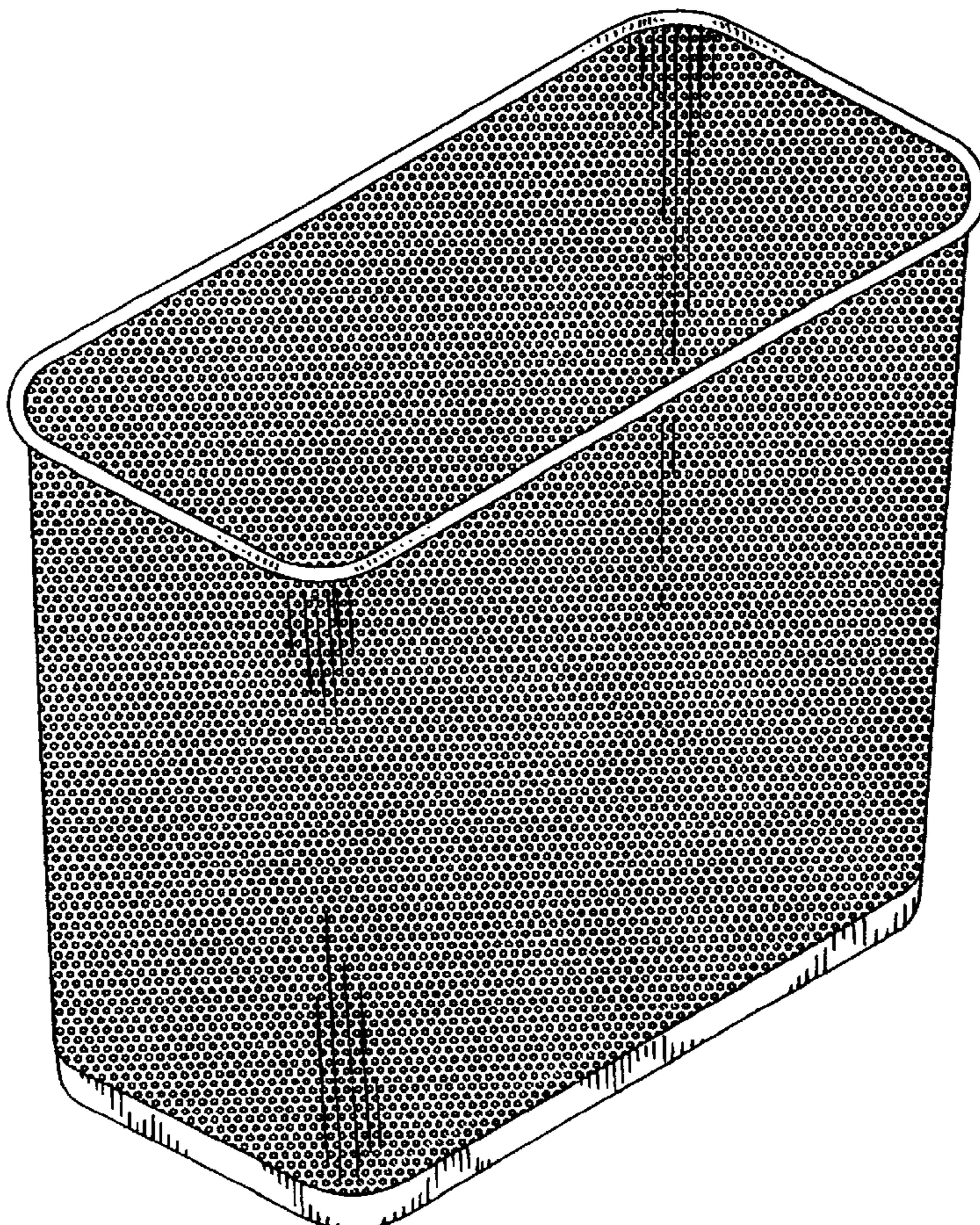
FIG. 1 is a front perspective view of the rectangular steel mesh receptacle and according to the inventive design; FIG. 2 is a front elevation view; FIG. 3 is a side elevation view from the right, the side view from the left being the same; FIG. 4 is a top plan view; and, FIG. 5 is a bottom plan view.

(56) **References Cited**

U.S. PATENT DOCUMENTS

D. 328,101 * 7/1992 Rorke D19/75
D. 335,559 * 5/1993 Land D34/1
D. 355,742 * 2/1995 Jackson D34/6

1 Claim, 3 Drawing Sheets



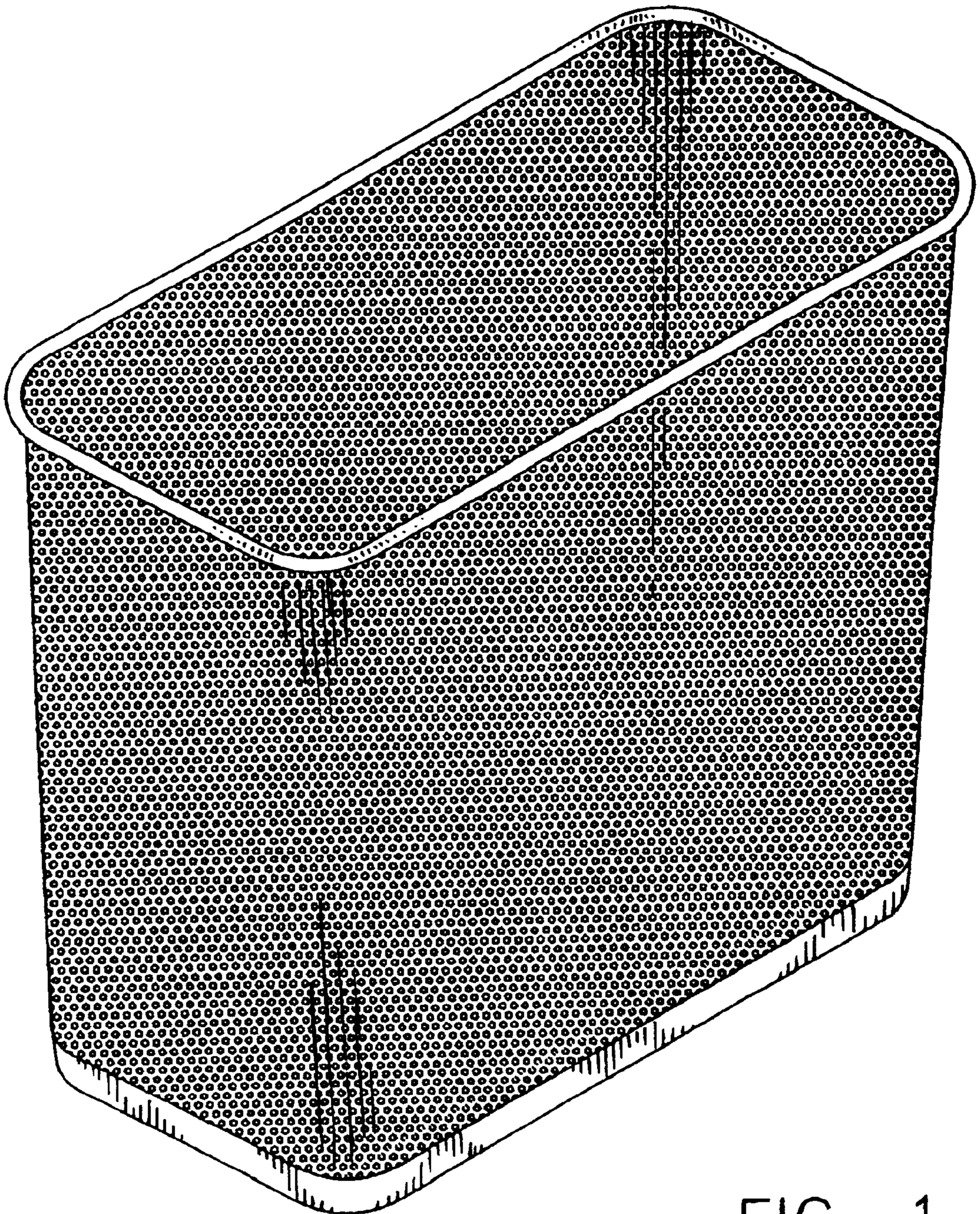


FIG. 1

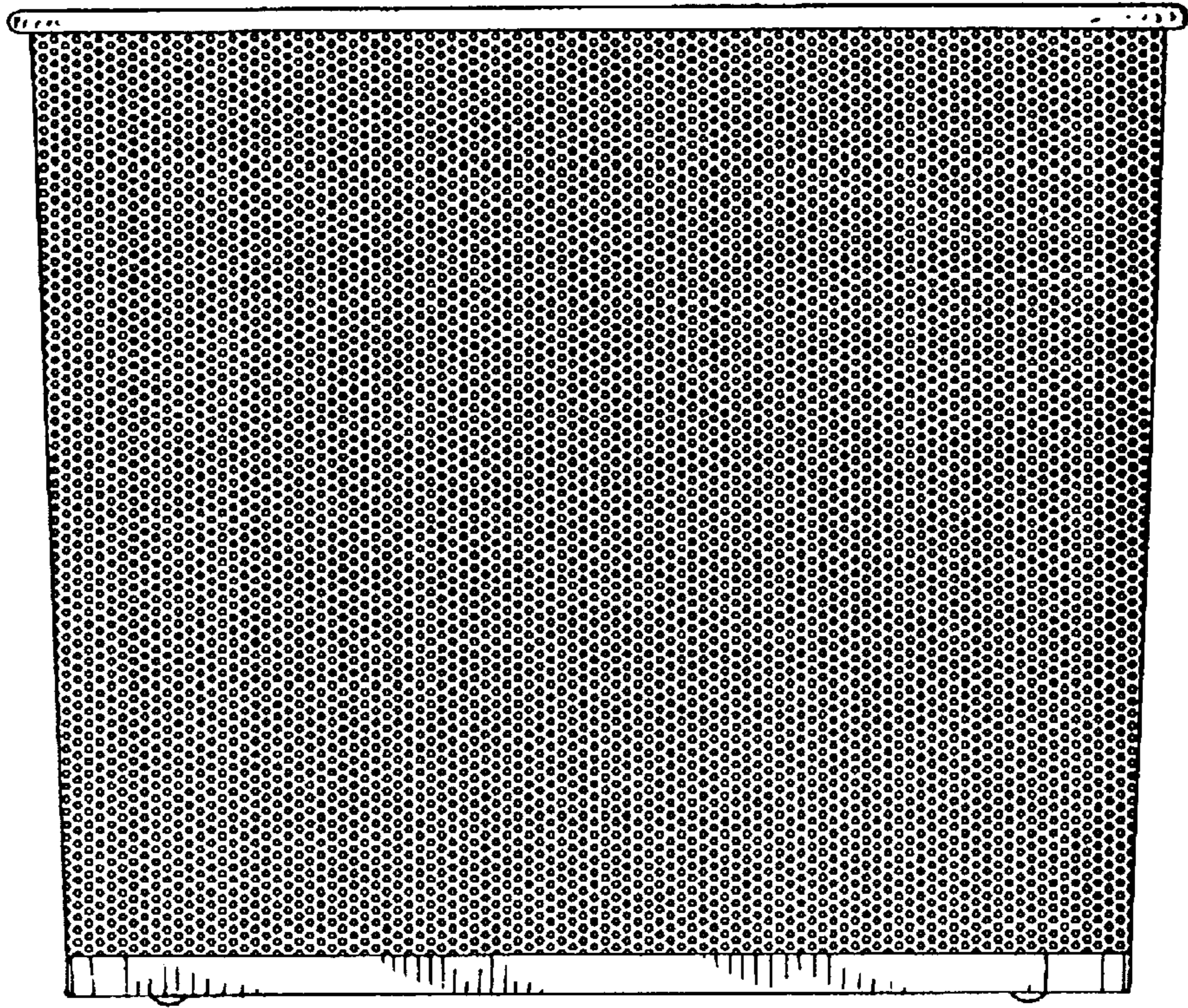


FIG. 2

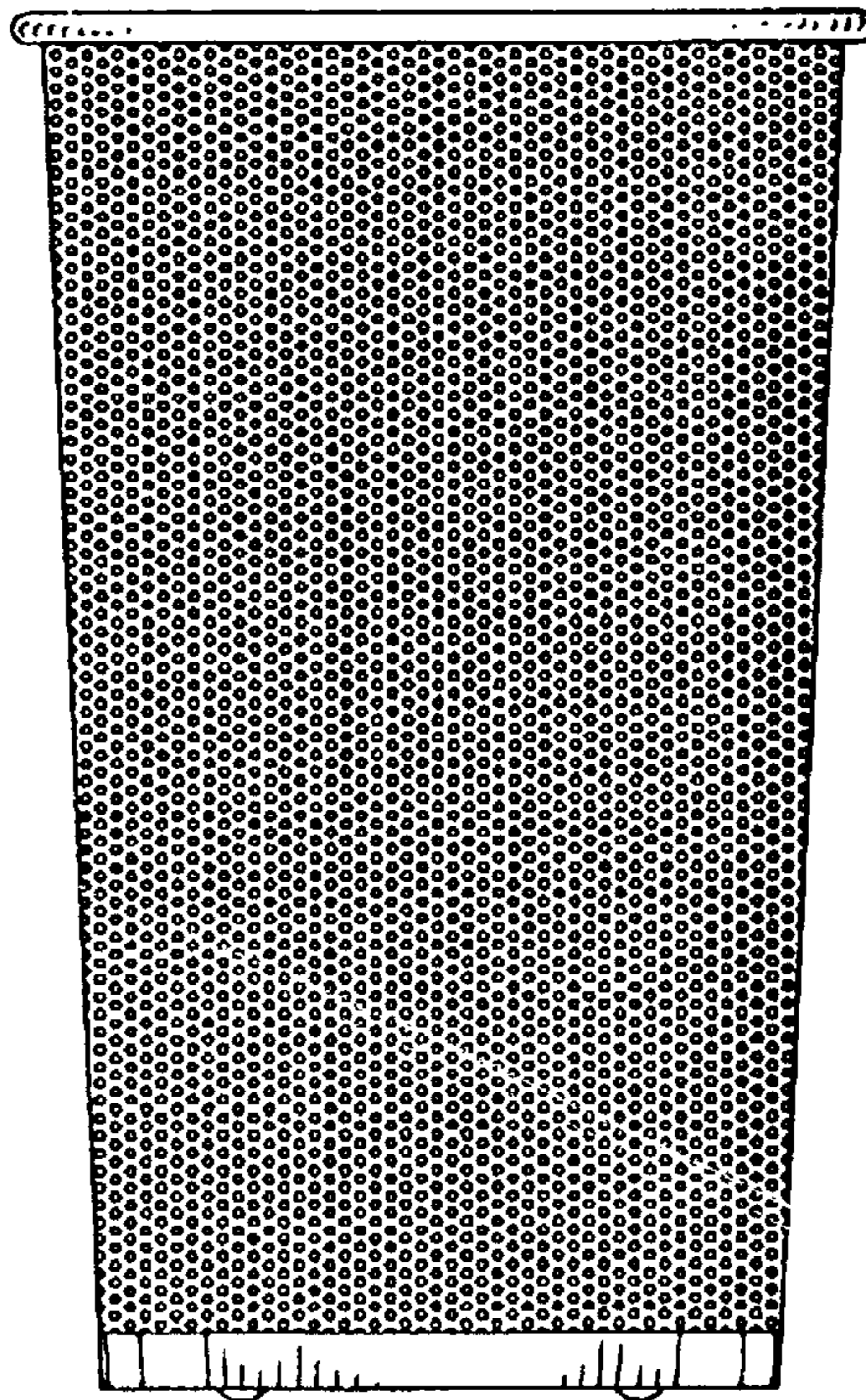


FIG. 3

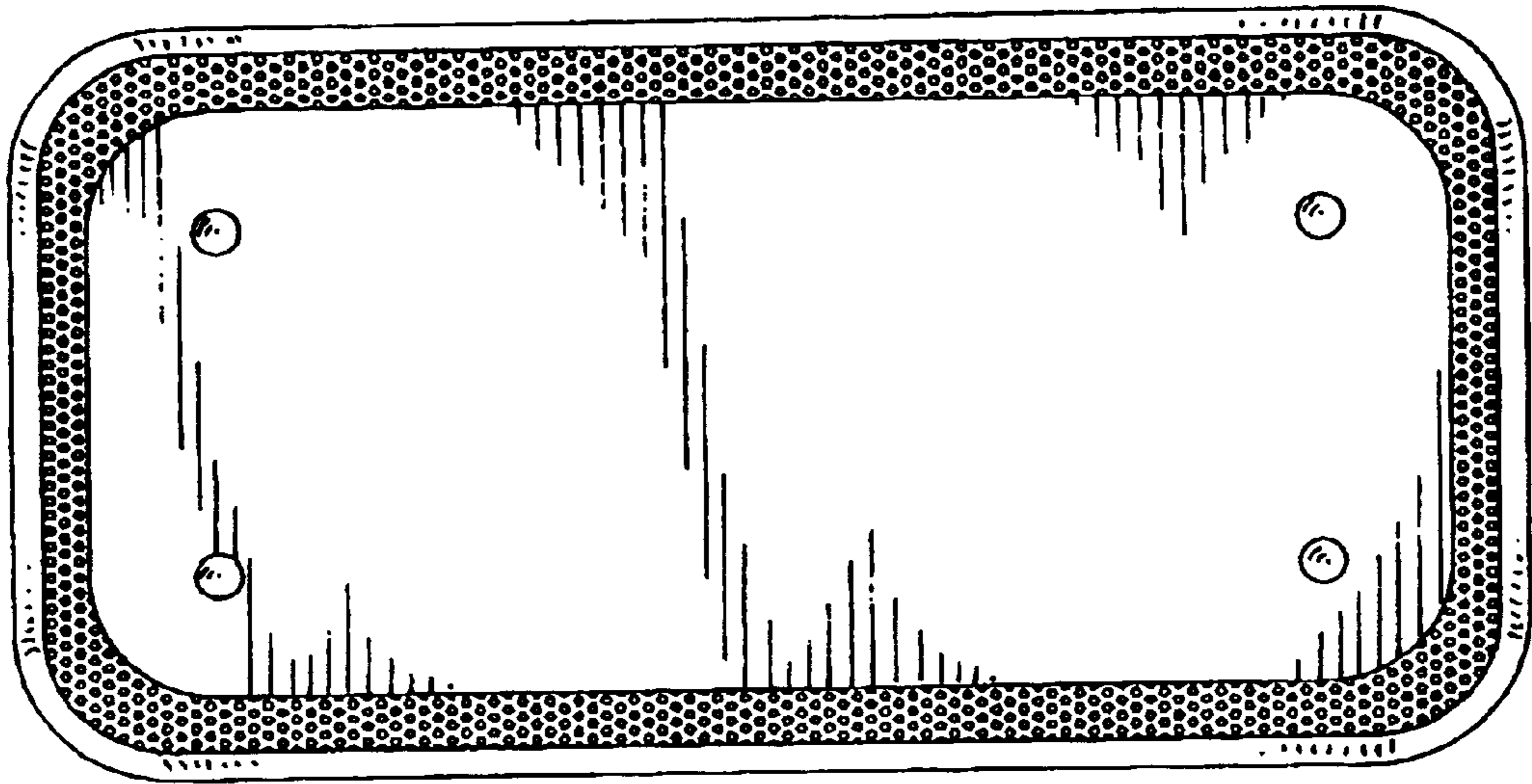


FIG. 4

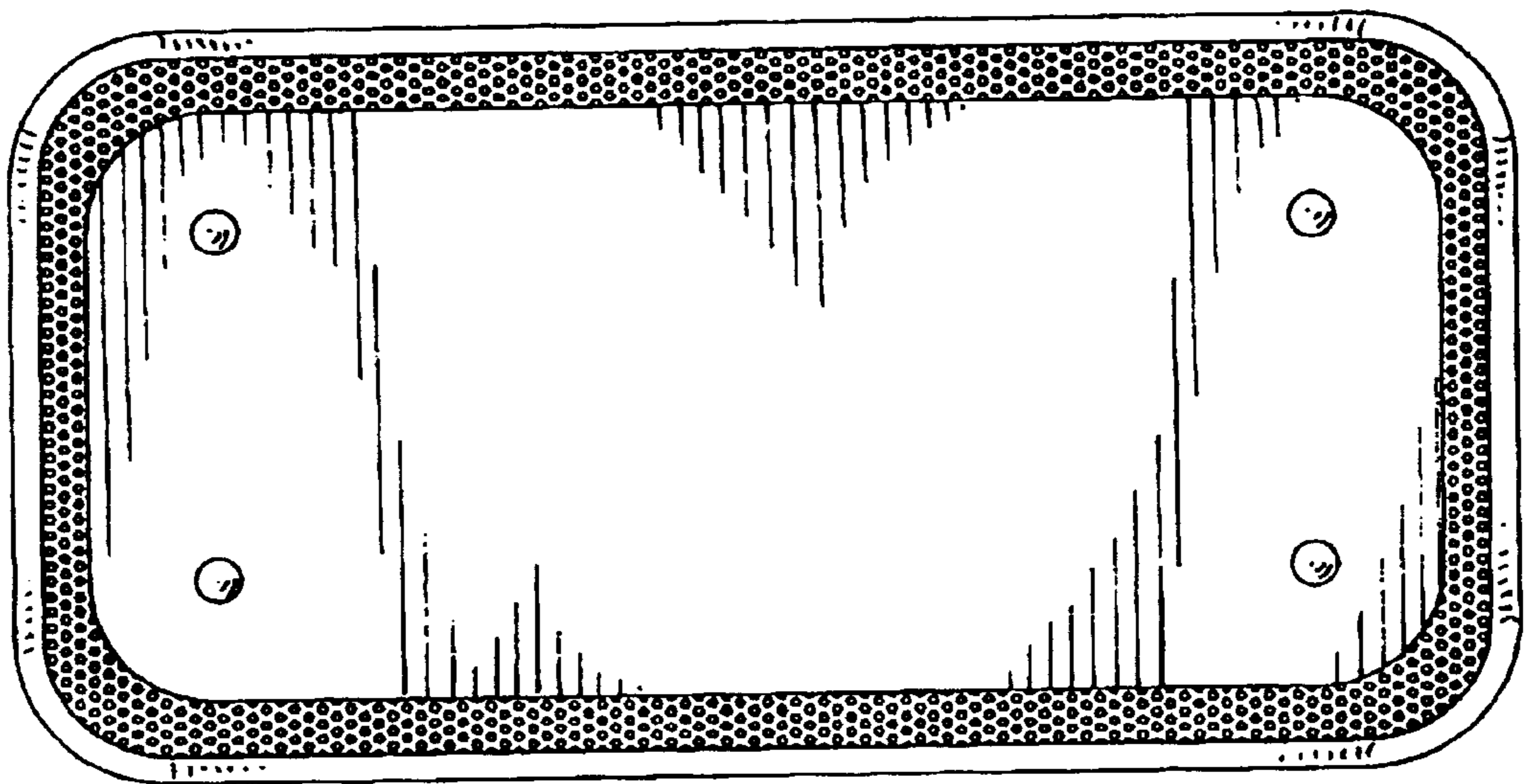


FIG. 5