



US00D437982S

(12) **United States Design Patent**
Jeong

(10) **Patent No.:** **US D437,982 S**

(45) **Date of Patent:** **** Feb. 20, 2001**

(54) **DISHWASHER**

(75) Inventor: **Hoon Jeong**, Seoul (KR)

(73) Assignee: **LG Electronics Inc.**, Seoul (KR)

(**) Term: **14 Years**

(21) Appl. No.: **29/125,387**

(22) Filed: **Jun. 22, 2000**

(30) **Foreign Application Priority Data**

Dec. 22, 1999 (KR) 99-31026

(51) **LOC (7) Cl.** **15-05**

(52) **U.S. Cl.** **D32/2**

(58) **Field of Search** D32/3, 2, 25; 134/56 D,
134/57 D, 57 DL, 58 DL, 93, 257; 312/108,
109, 138 R; 40/490

(56) **References Cited**

U.S. PATENT DOCUMENTS

D. 320,487 * 10/1991 Marks et al. D32/3

D. 320,489 * 10/1991 Marks et al. D32/3
D. 423,287 * 4/2000 Marchand D32/25
D. 424,257 * 5/2000 Umeda et al. D32/2
4,732,431 * 3/1988 Mason 312/109

* cited by examiner

Primary Examiner—Mitchell Siegel

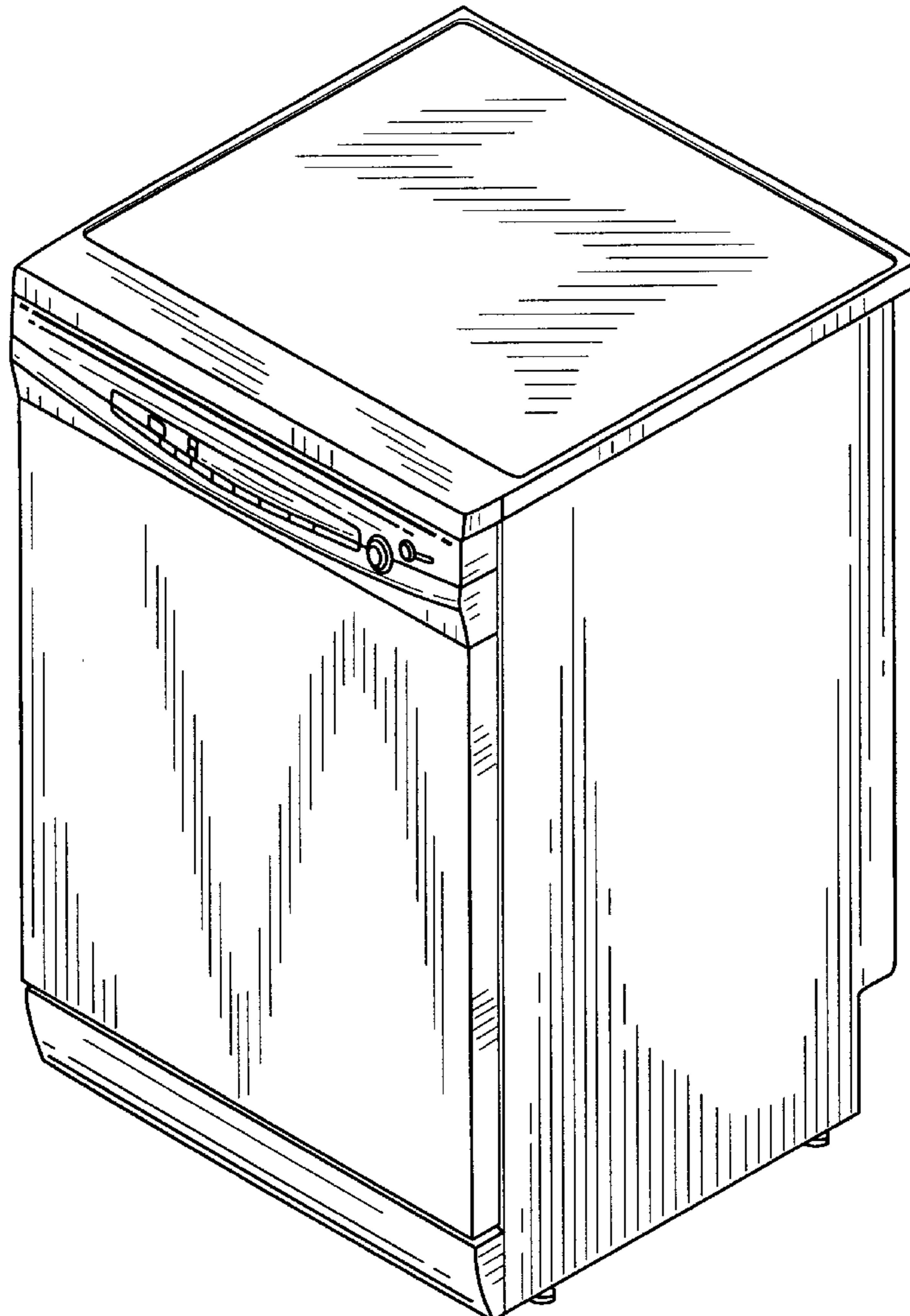
(57) **CLAIM**

The ornamental design for a dishwasher, as shown and described.

DESCRIPTION

FIG. 1 is a perspective view;
FIG. 2 is a front elevational view;
FIG. 3 is a left side elevational view;
FIG. 4 is a right side elevational view;
FIG. 5 is a rear elevational view;
FIG. 6 is a top plan view; and,
FIG. 7 is a bottom plan view.

1 Claim, 4 Drawing Sheets



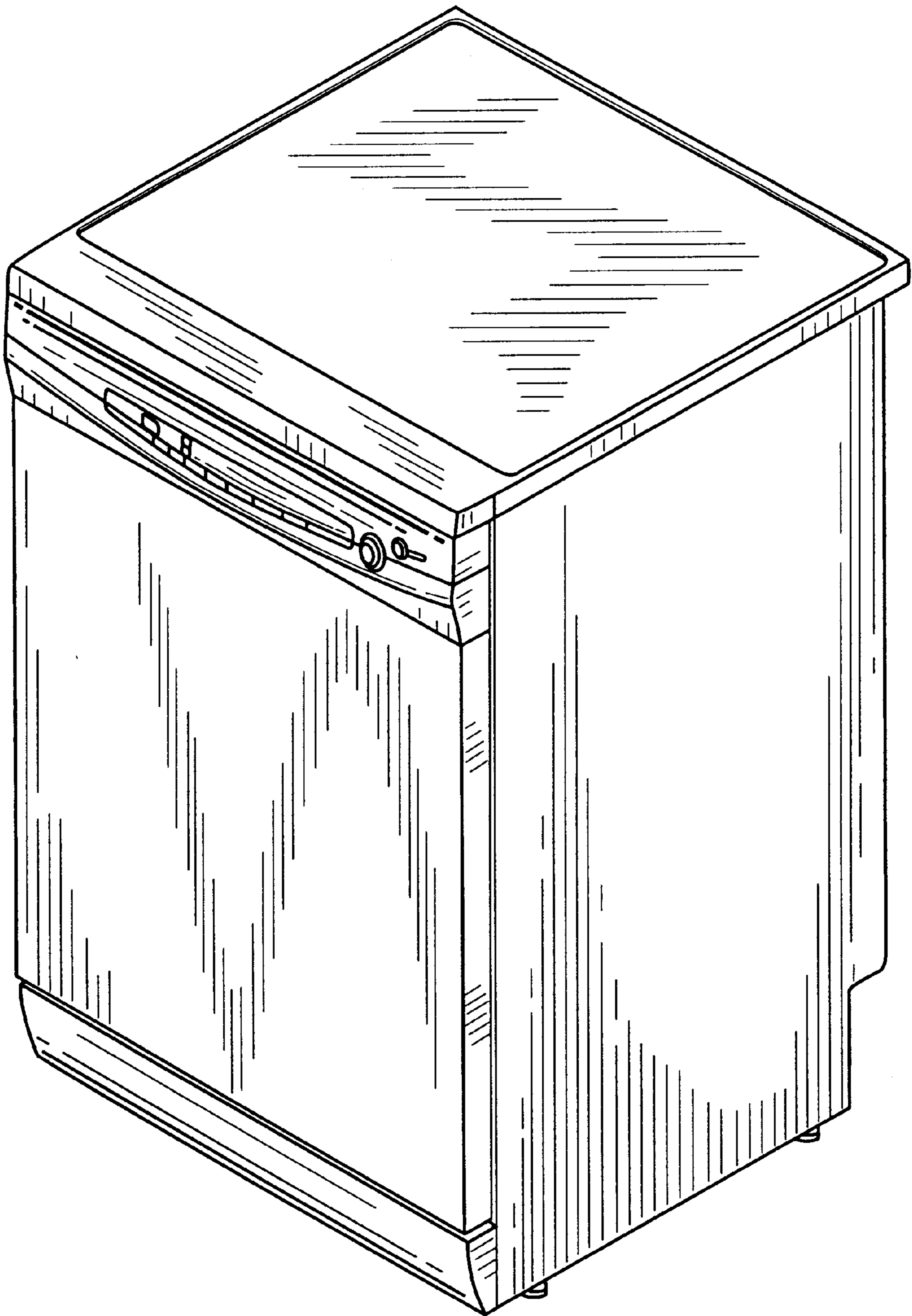


FIG. 1

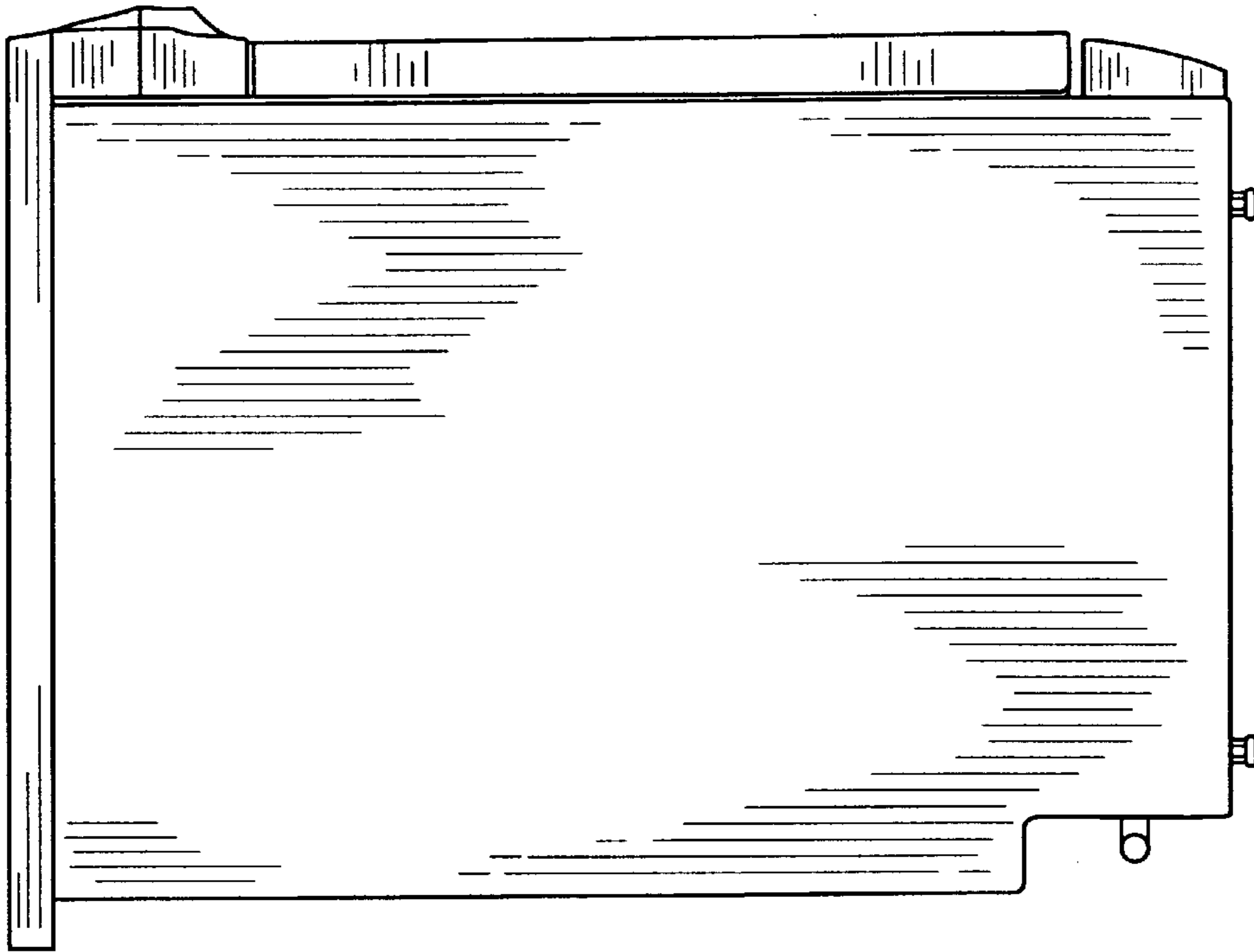


FIG. 3

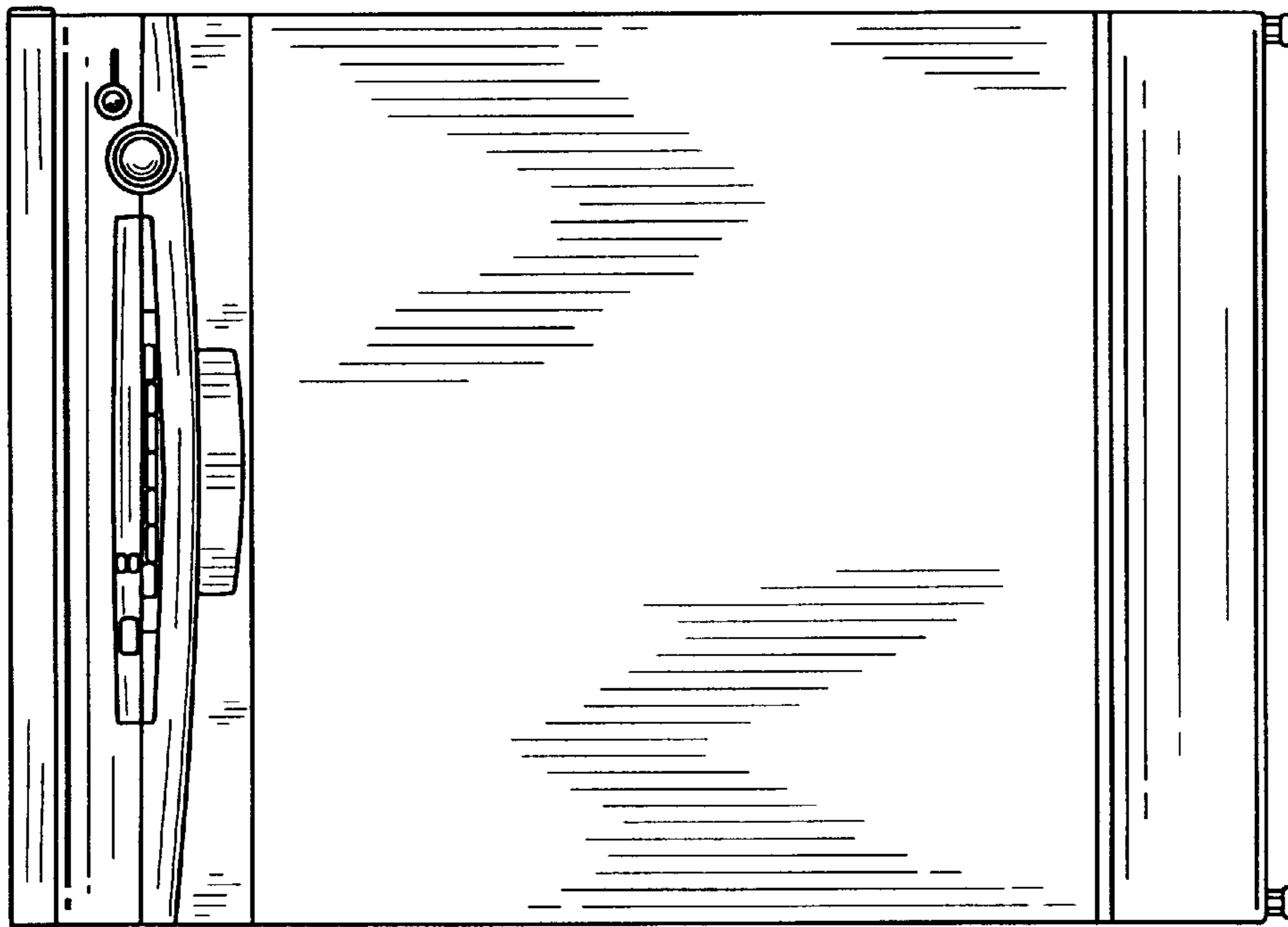


FIG. 2

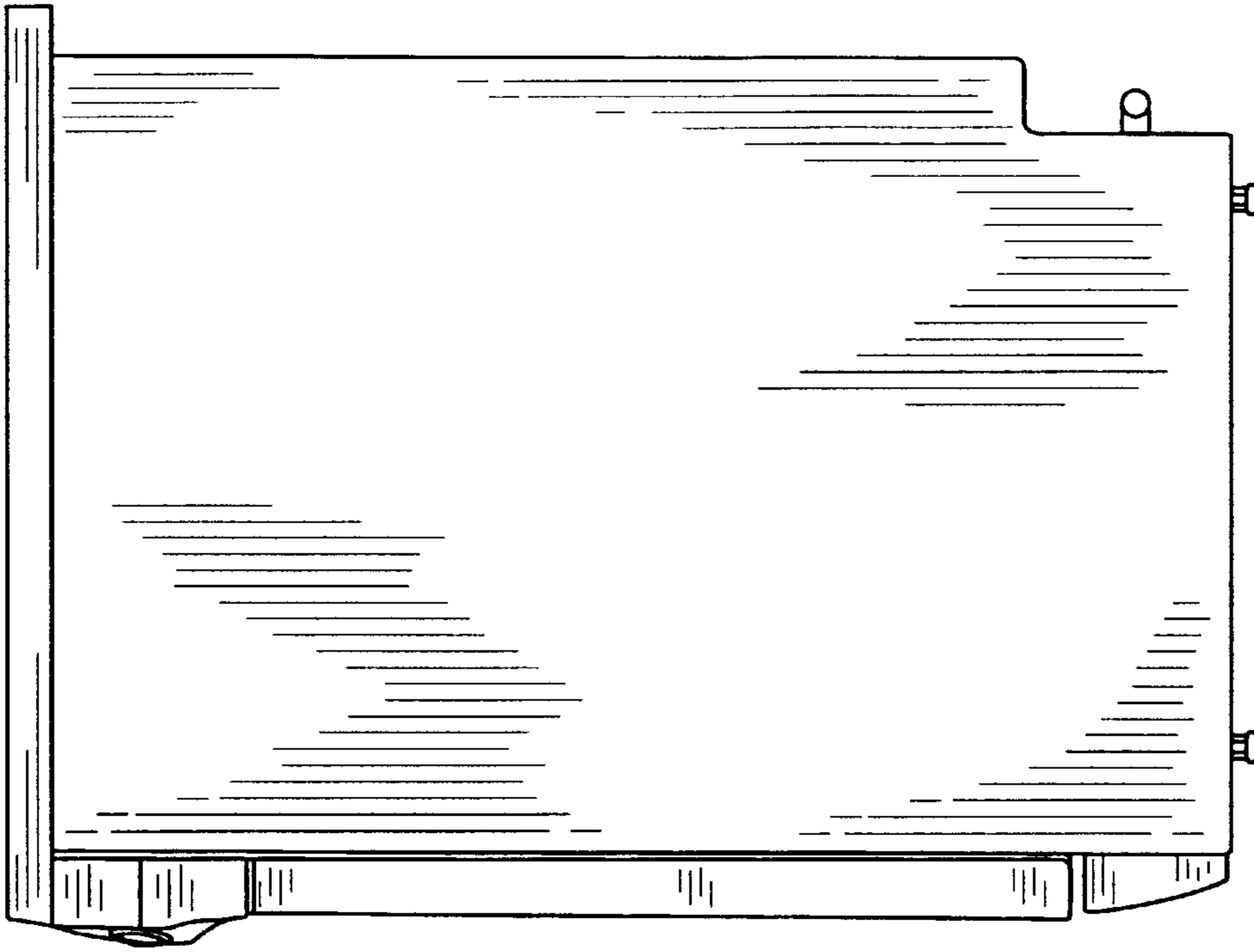


FIG. 5

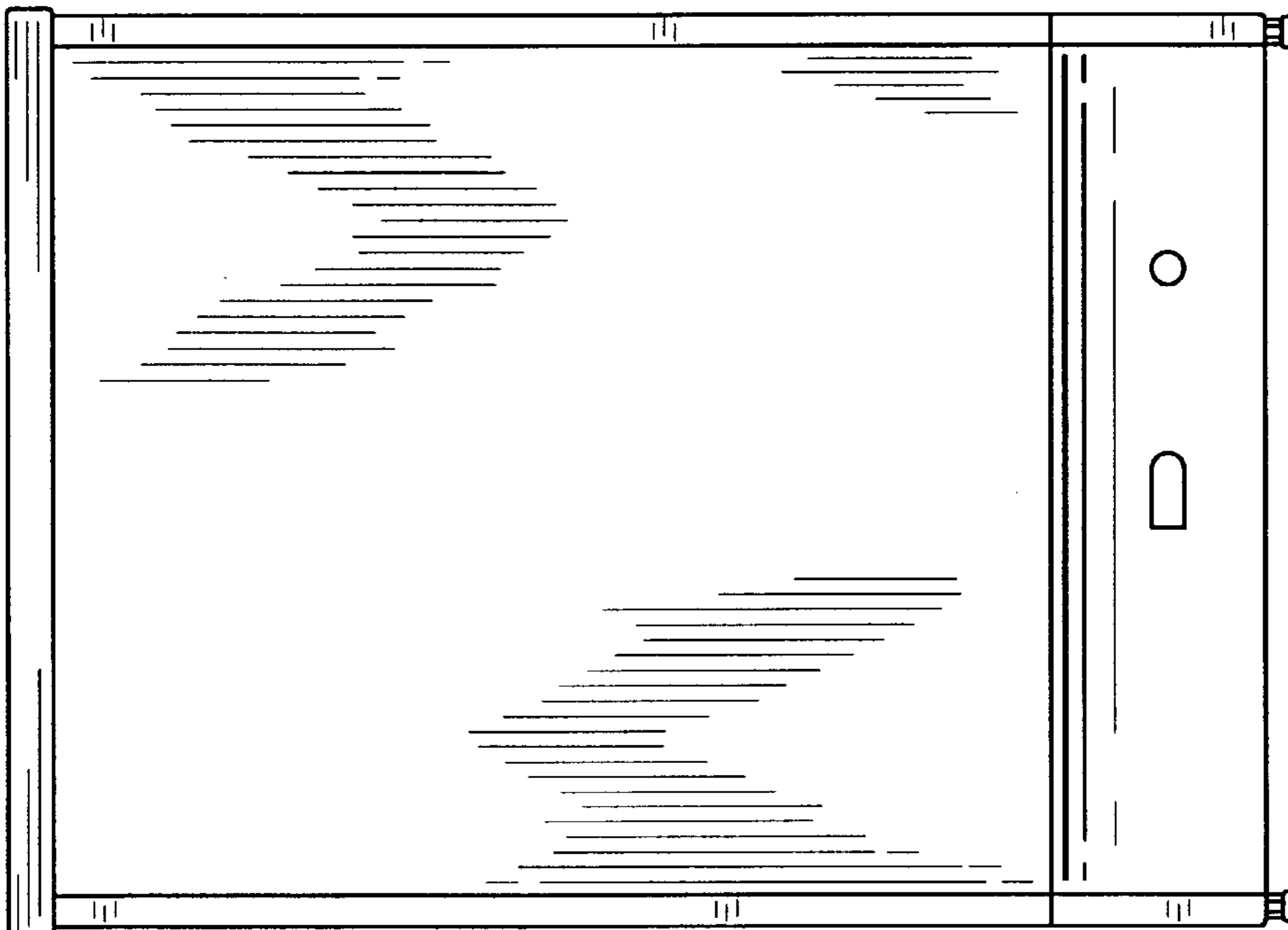


FIG. 4

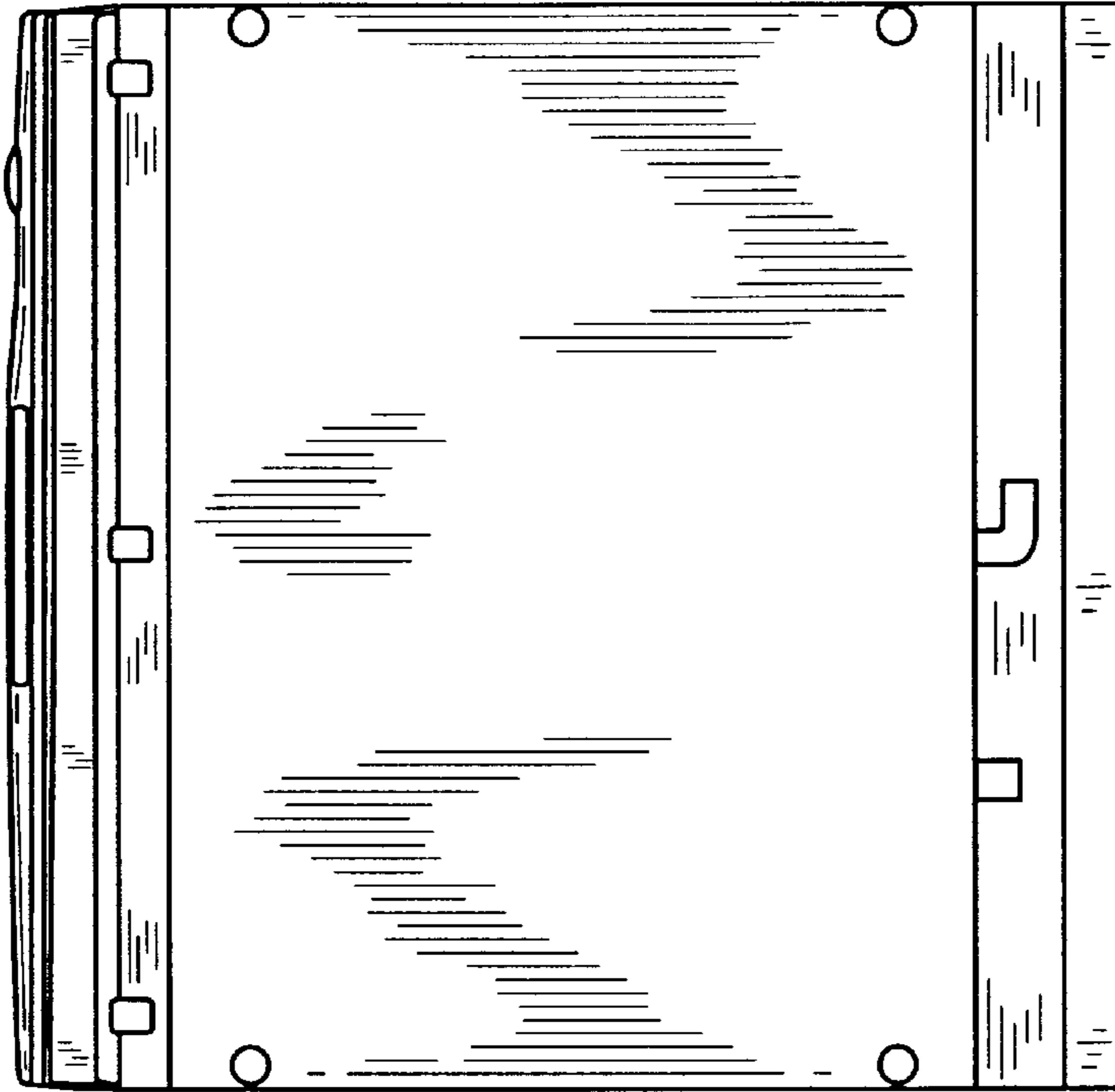


FIG. 6

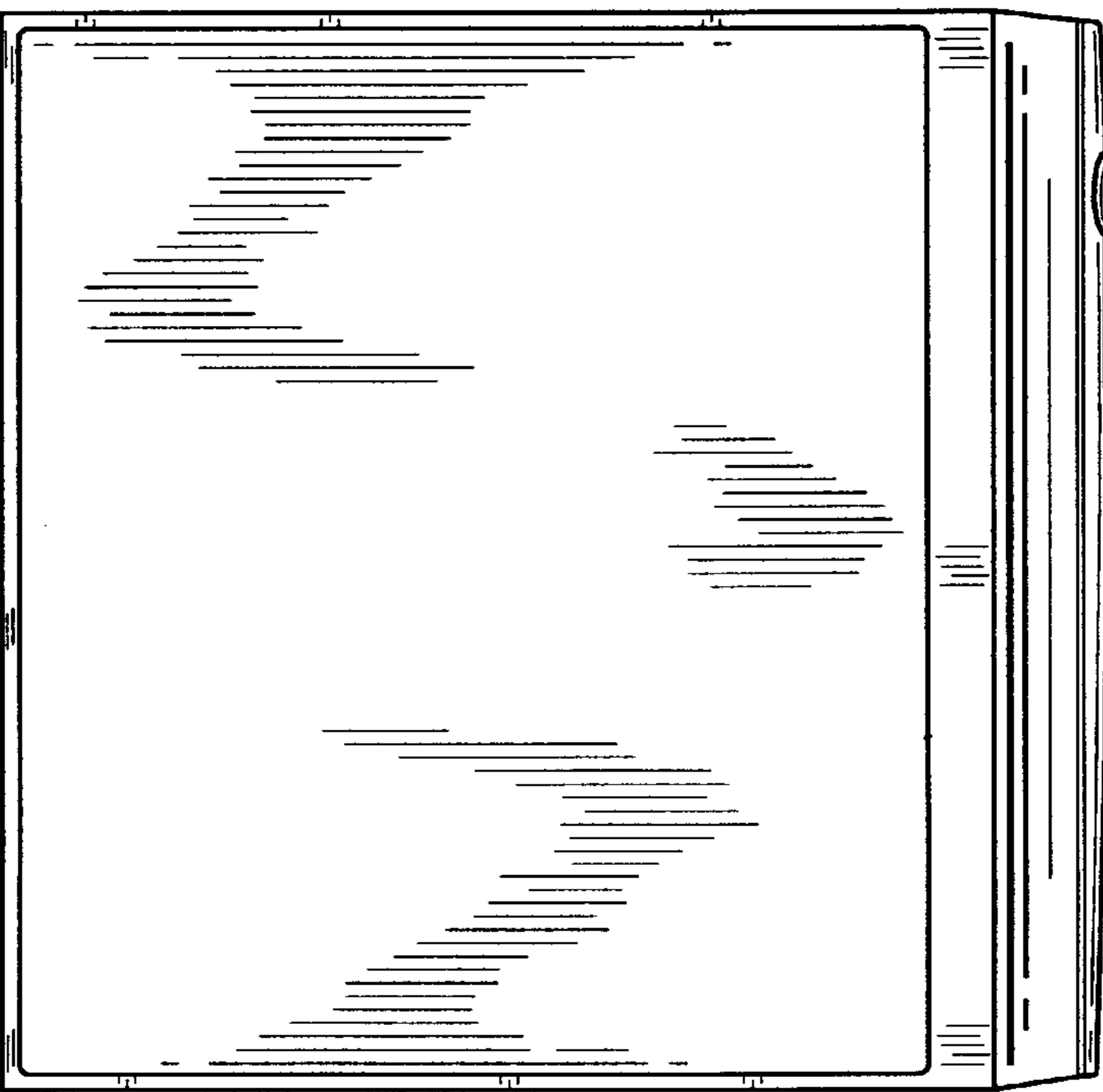


FIG. 7