



US00D437980S

(12) **United States Design Patent**
Anderson

(10) **Patent No.:** **US D437,980 S**

(45) **Date of Patent:** **** Feb. 20, 2001**

(54) **SPUR**

(76) **Inventor:** **Clinton Robert Anderson**, 8837 State Rte. 638, Belle Center, OH (US) 43310

(**) **Term:** **14 Years**

(21) **Appl. No.:** **29/113,843**

(22) **Filed:** **Nov. 12, 1999**

(51) **LOC (7) Cl.** **30-05**

(52) **U.S. Cl.** **D30/157**

(58) **Field of Search** D30/157, 199;
54/83.1, 49.5; D11/26; D2/946

(56) **References Cited**

U.S. PATENT DOCUMENTS

- D. 11,080 * 3/1879 Buermann D30/157
- D. 56,428 * 10/1920 Hall D11/26
- D. 84,490 * 6/1931 Ormiston D30/157
- D. 383,257 * 9/1997 Clark D30/157
- 1,689,124 * 10/1928 Fitzgerald D11/26 X
- 4,501,110 * 2/1985 Kibler 54/83.1

OTHER PUBLICATIONS

Partrade product catalog, Dec. 1, 1996, pp. 37, 39, 40 and 43.

Miller's—The World of Riding, Spurs and Straps, p. 75, 1991.*

* cited by examiner

Primary Examiner—Louis S. Zarfes

Assistant Examiner—Catherine R Oliver

(74) *Attorney, Agent, or Firm*—Grace J. Fishel

(57) **CLAIM**

The ornamental design for a spur, as shown.

DESCRIPTION

FIG. 1 is a perspective view of a spur showing my new design;

FIG. 2 is a perspective view of a spur showing my new design with a shank and rowel shown in broken lines;

FIG. 3 is a top view thereof;

FIG. 4 is a front elevational view thereof;

FIG. 5 is a front elevational view with a shank and rowel shown in broken lines;

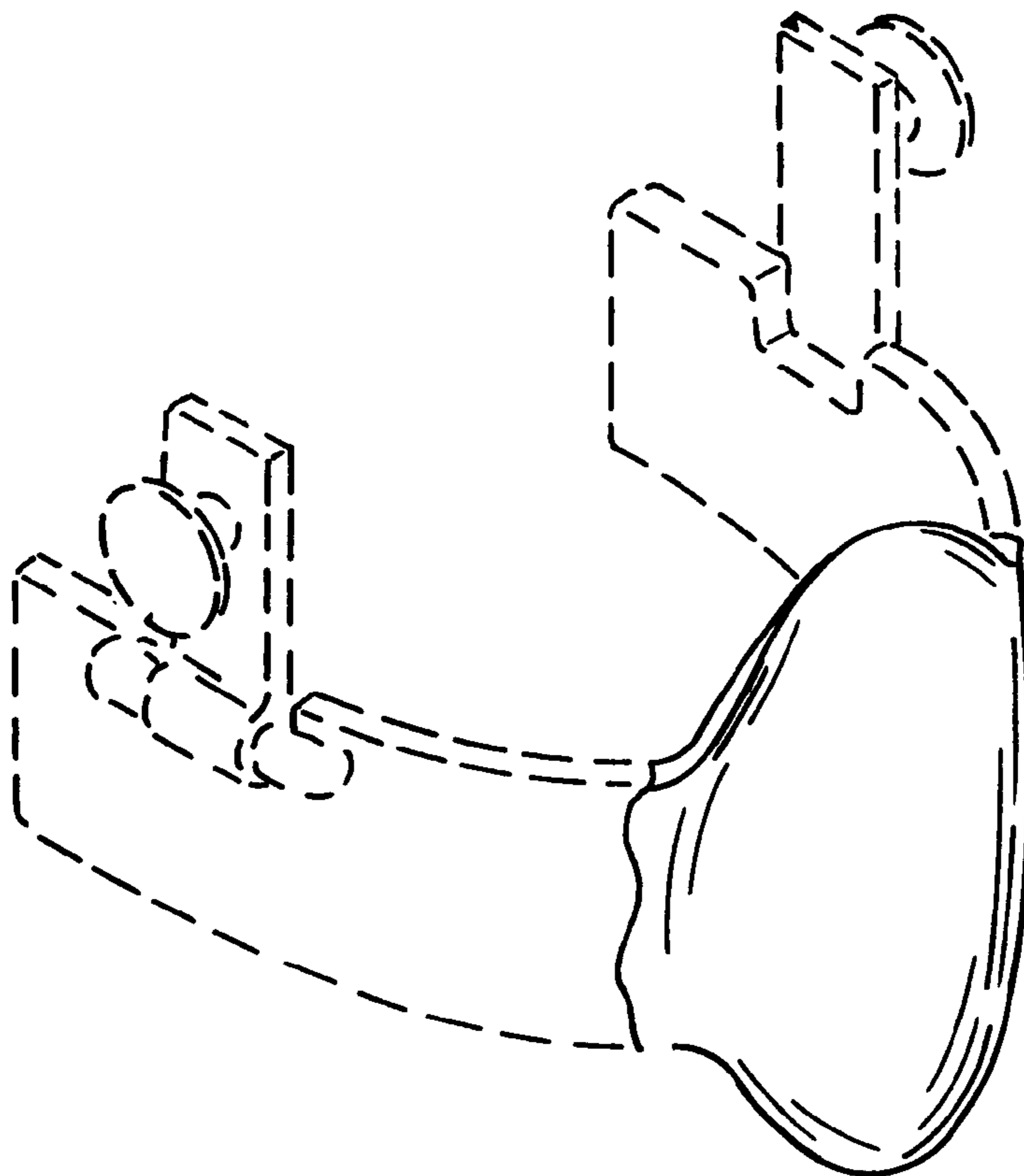
FIG. 6 is a bottom view thereof;

FIG. 7 is a side view thereof; and,

FIG. 8 is a rear elevational view thereof.

The shank, strap holders and rowel shown in FIGS. 2-3, 5-7 and the strap holders in FIGS. 1, 4 and 8 denote the nature and environmental use of the design and are not part of the design.

1 Claim, 3 Drawing Sheets



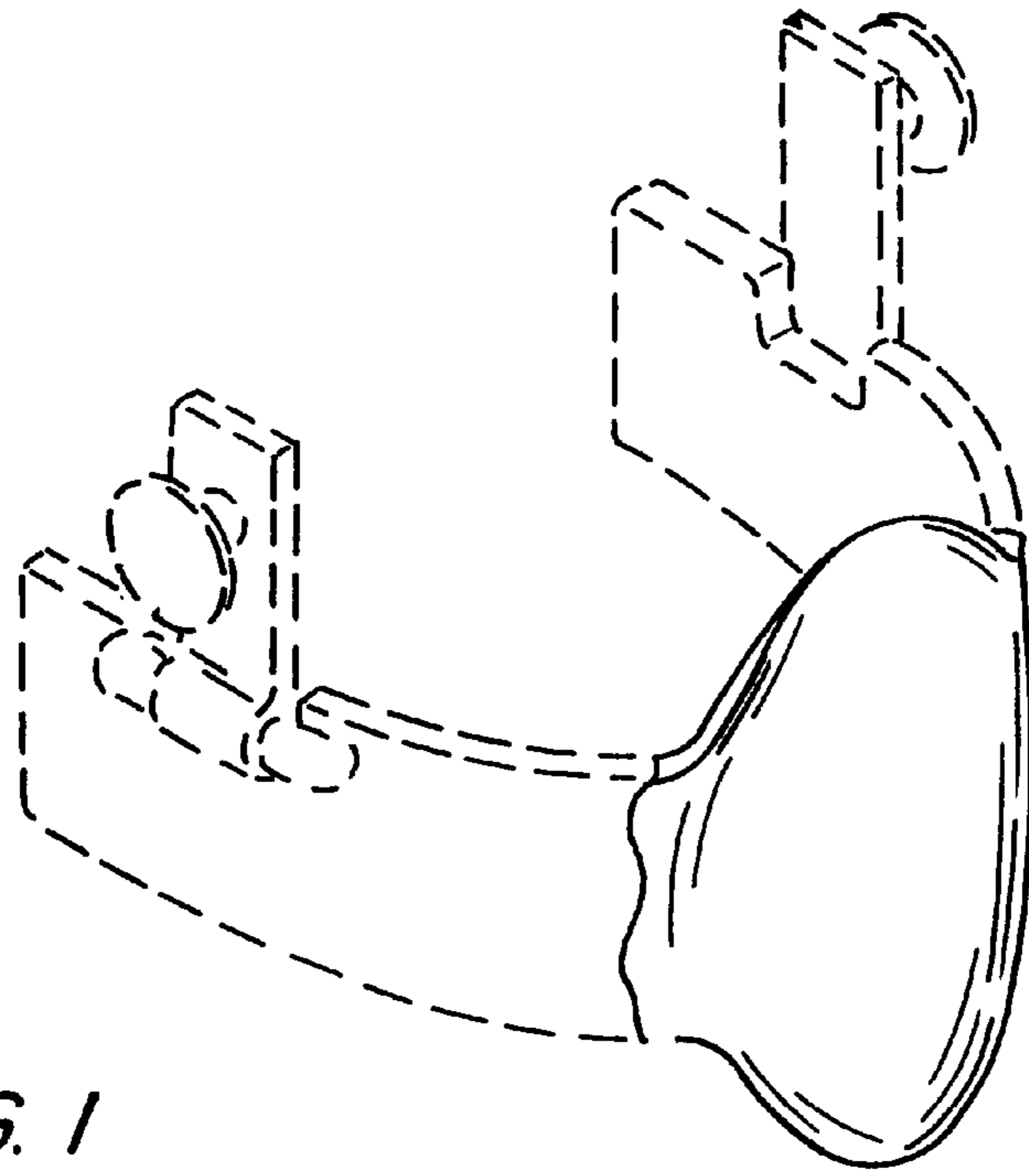


FIG. 1

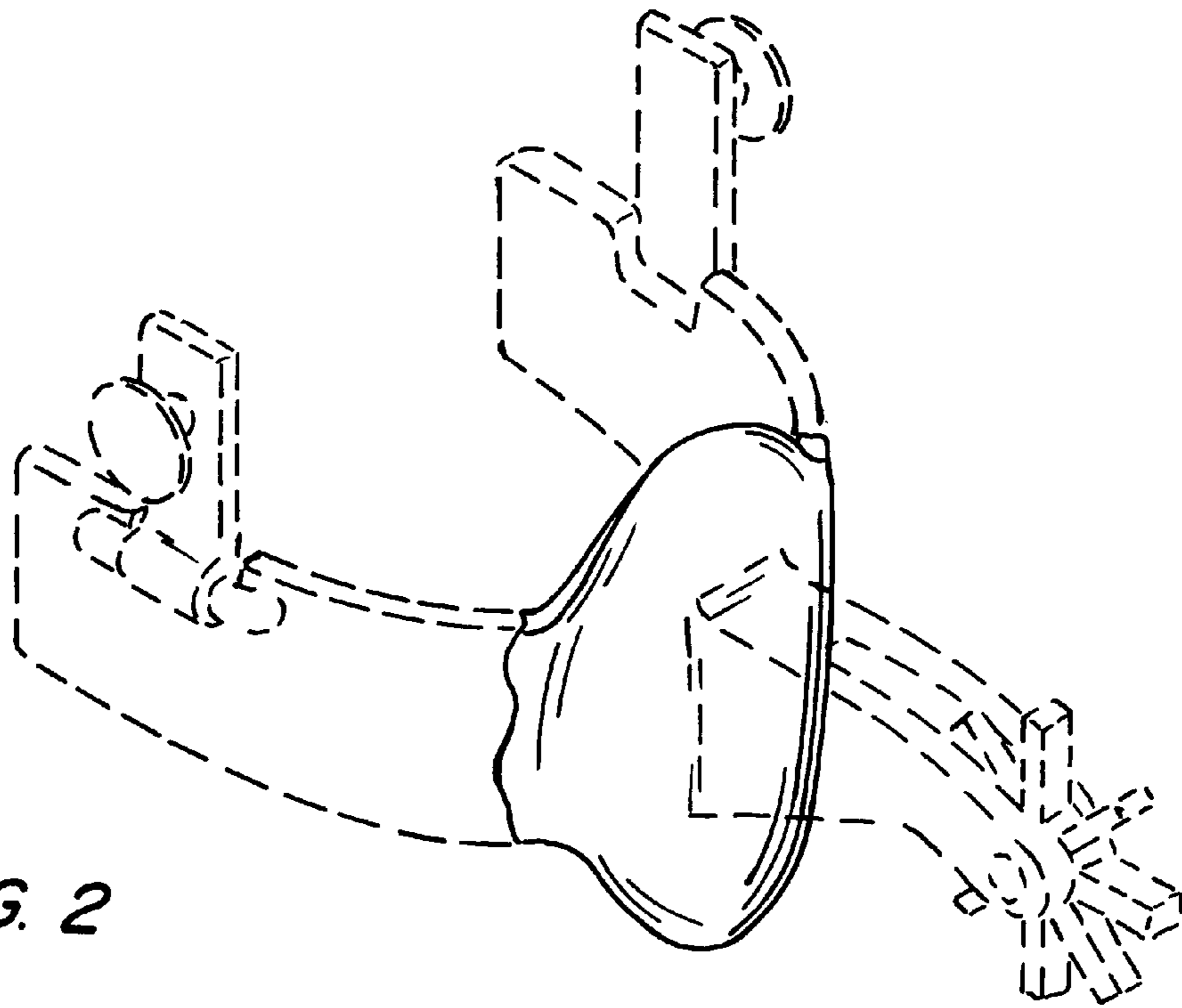
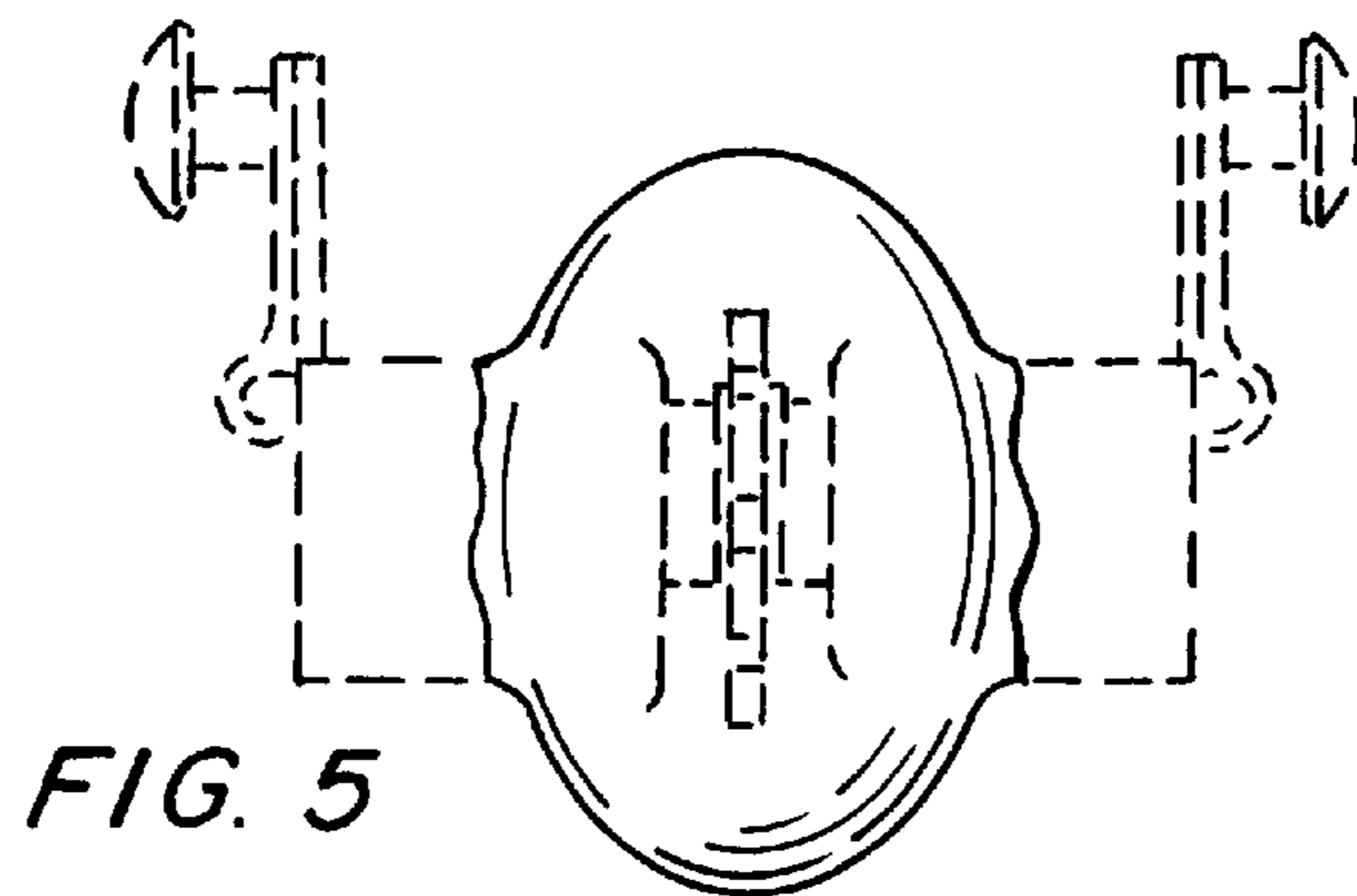
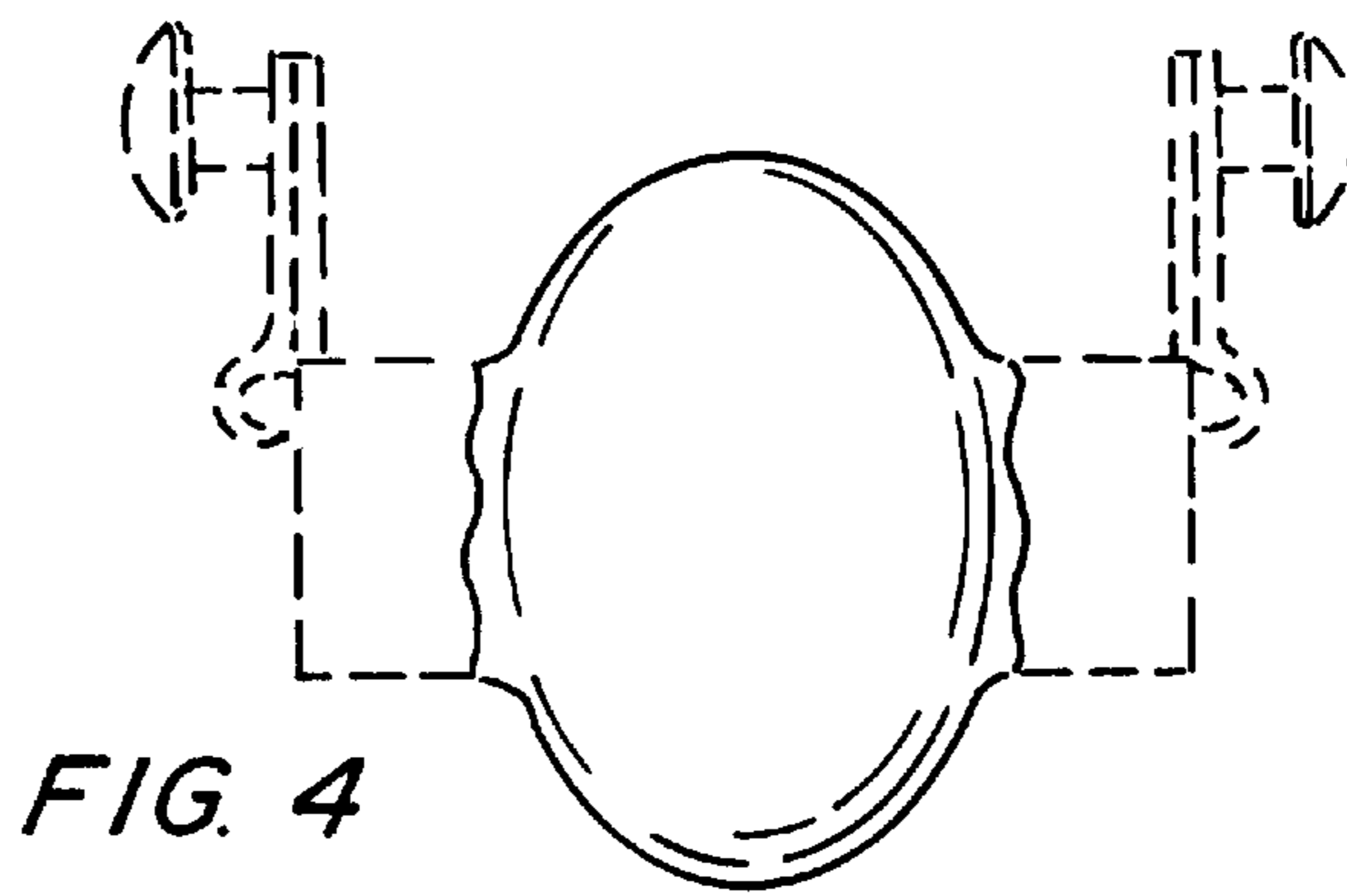
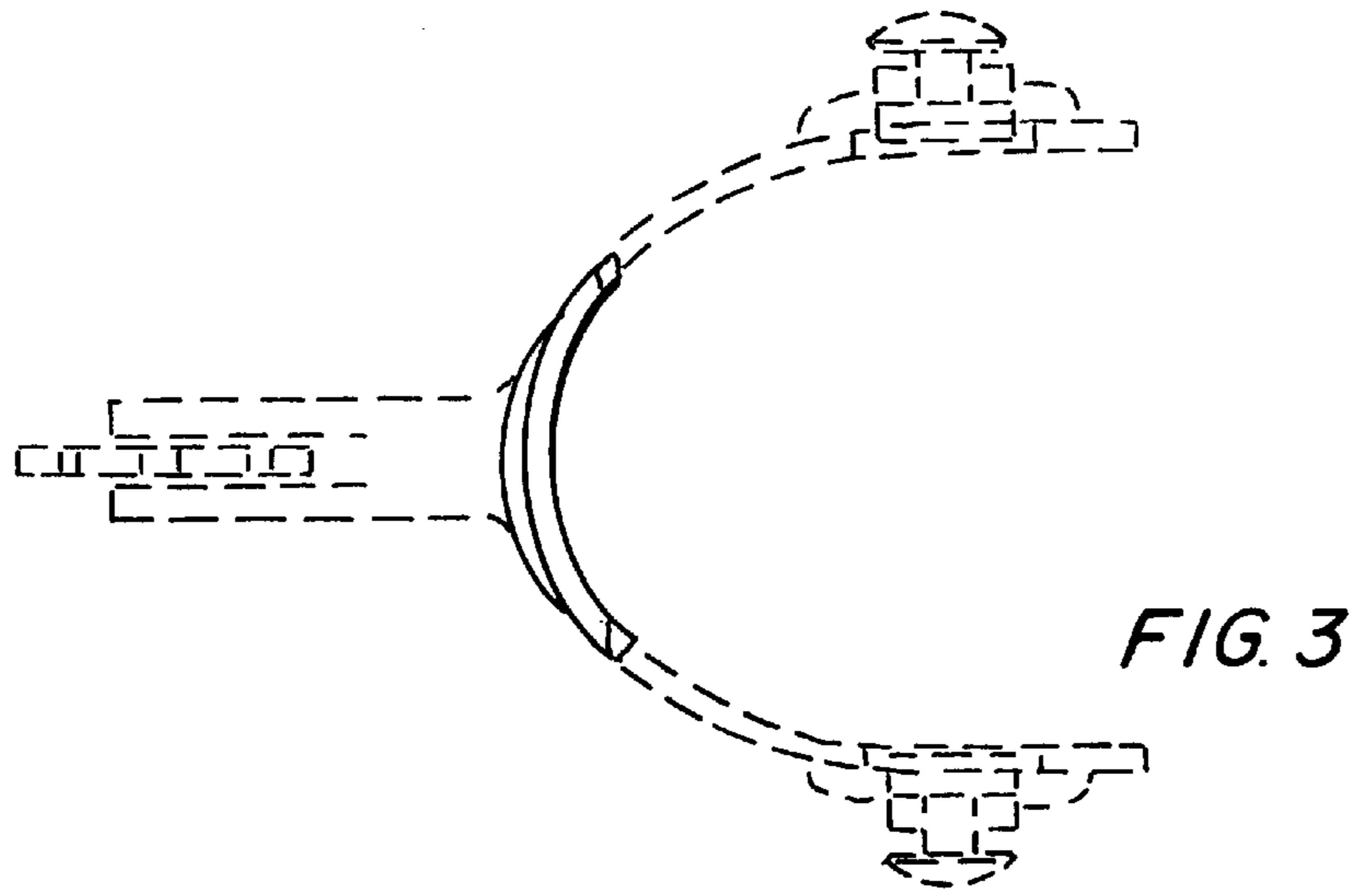


FIG. 2



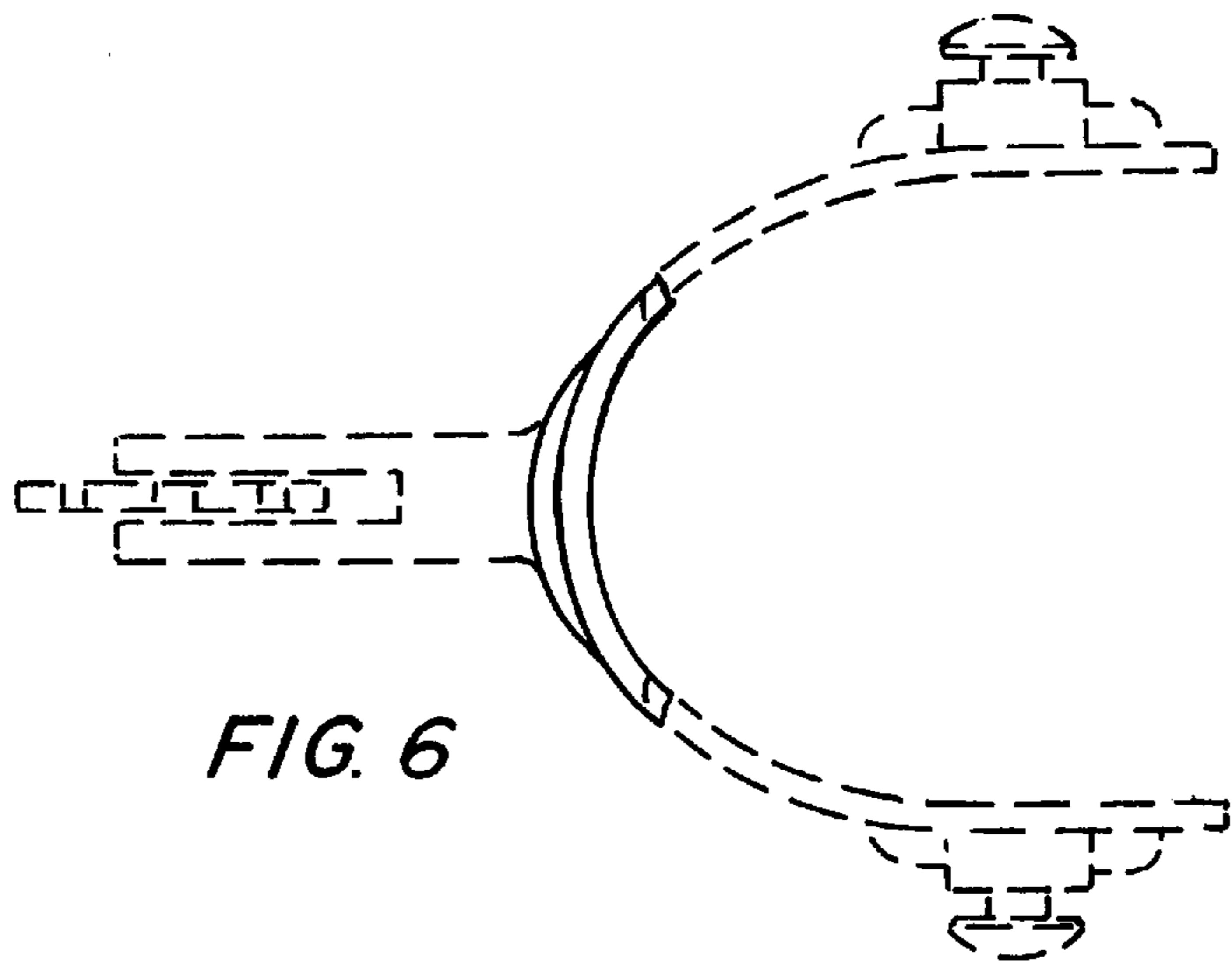


FIG. 6

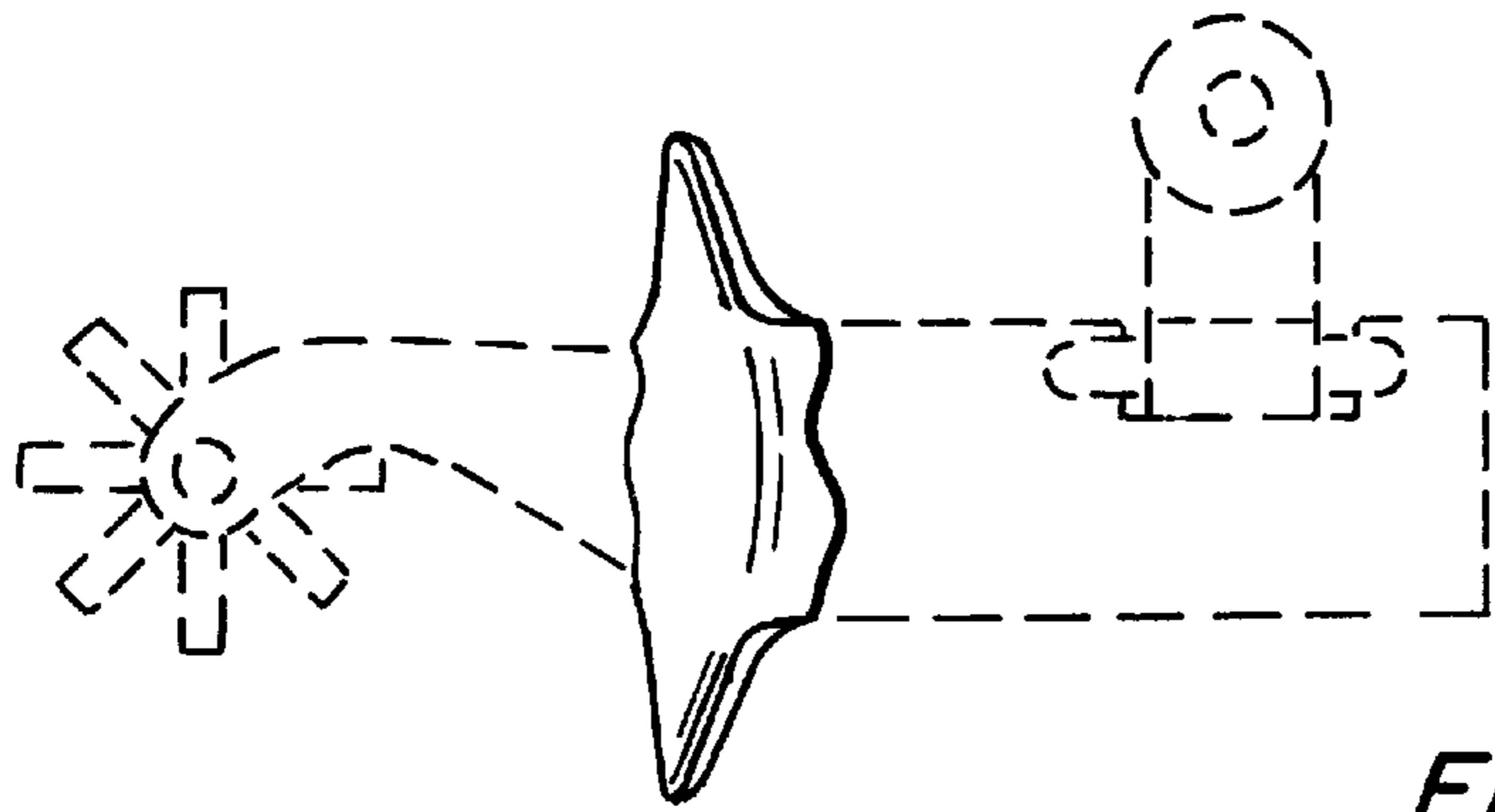


FIG. 7

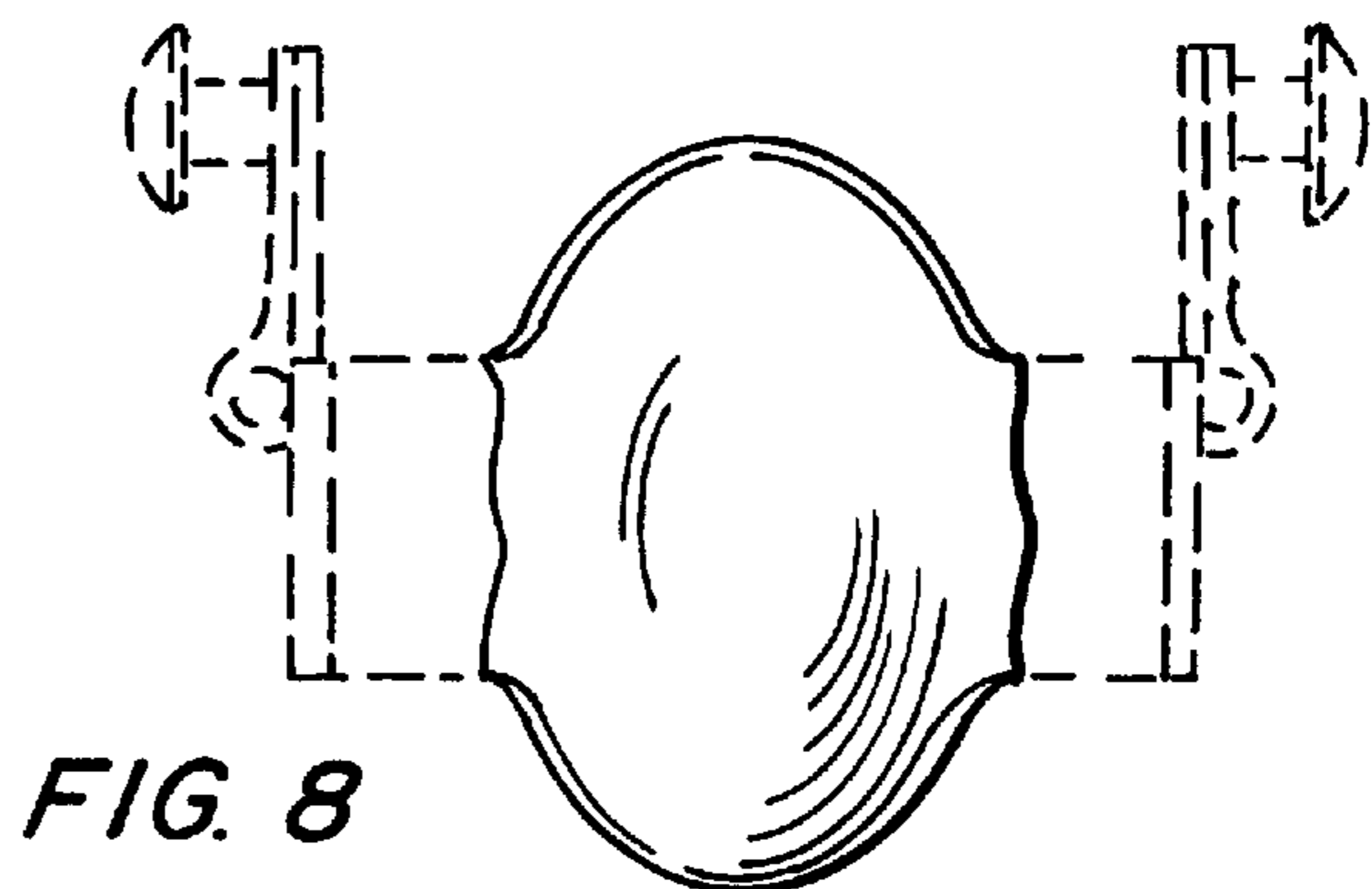


FIG. 8