



US00D437977S

(12) **United States Design Patent**
Lang et al.

(10) **Patent No.:** **US D437,977 S**

(45) **Date of Patent:** **** Feb. 20, 2001**

(54) **DOUBLE RAIL FLOSSER TIP CARTRIDGE INSERT**

(75) **Inventors:** **Kenneth J. Lang; Theodore De Leo,**
both of Loveland, CO (US)

(73) **Assignee:** **Water Pik, Inc.,** Newport Beach, CA
(US)

(**) **Term:** **14 Years**

(21) **Appl. No.:** **29/115,985**

(22) **Filed:** **Dec. 21, 1999**

(51) **LOC (7) Cl.** **28-03**

(52) **U.S. Cl.** **D28/66**

(58) **Field of Search** D28/65, 66, 67,
D28/68; 132/321, 322, 323, 324, 325, 326,
327, 328, 329; D24/127, 152; D4/108,
120; 206/63.5; 225/6, 34, 37, 38, 39, 42,
49, 50, 51, 53, 77, 80, 81, 82, 90

(56) **References Cited**

U.S. PATENT DOCUMENTS

- D. 234,518 * 3/1975 Gerlich D28/68
- 2,450,635 * 10/1948 Dembensi 132/325
- 2,577,597 * 12/1951 Wright et al. 132/326

- 2,962,033 * 11/1960 Lew 132/324
- 3,289,681 * 12/1966 Chambers 132/326
- 3,311,116 * 3/1967 Foster 132/326
- 4,844,104 * 7/1989 Martin 132/321
- 5,246,022 * 9/1993 Israel et al. 206/63.5
- 5,299,723 * 4/1994 Hempel 225/38

* cited by examiner

Primary Examiner—Paula A. Mortimer

(74) *Attorney, Agent, or Firm*—Dorsey & Whitney LLP

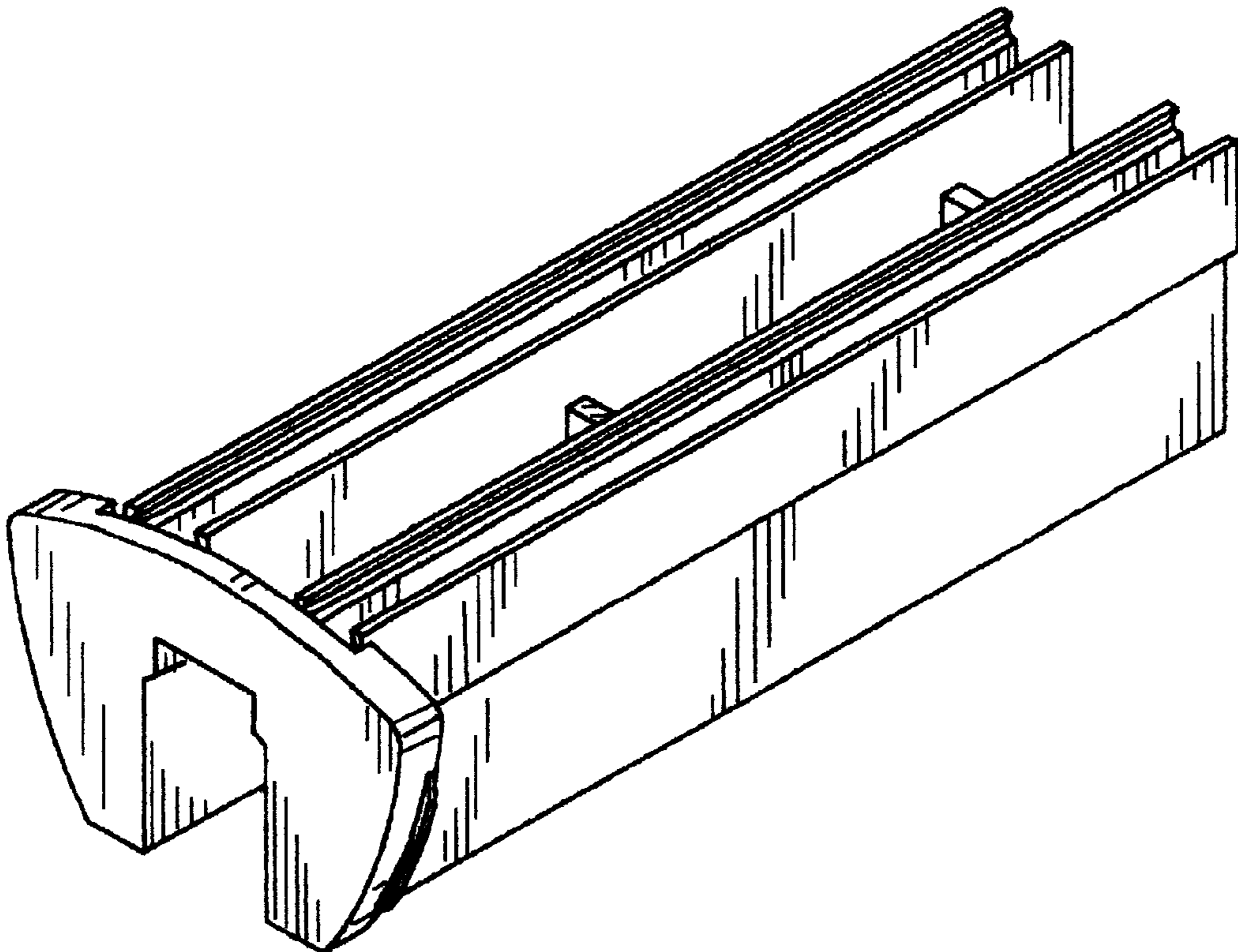
(57) **CLAIM**

The ornamental design for a double rail flosser tip cartridge insert, as shown and described.

DESCRIPTION

FIG. 1 is a top front perspective view of a double rail flosser tip cartridge insert showing our new design.
 FIG. 2 is a bottom front perspective view thereof.
 FIG. 3 is a bottom rear perspective view thereof.
 FIG. 4 is a front elevation view thereof.
 FIG. 5 is a right side elevation view thereof, the left side elevation view being a mirror image thereof.
 FIG. 6 is a back elevation view thereof.
 FIG. 7 is a top plan view thereof; and,
 FIG. 8 is a bottom plan view thereof.

1 Claim, 2 Drawing Sheets



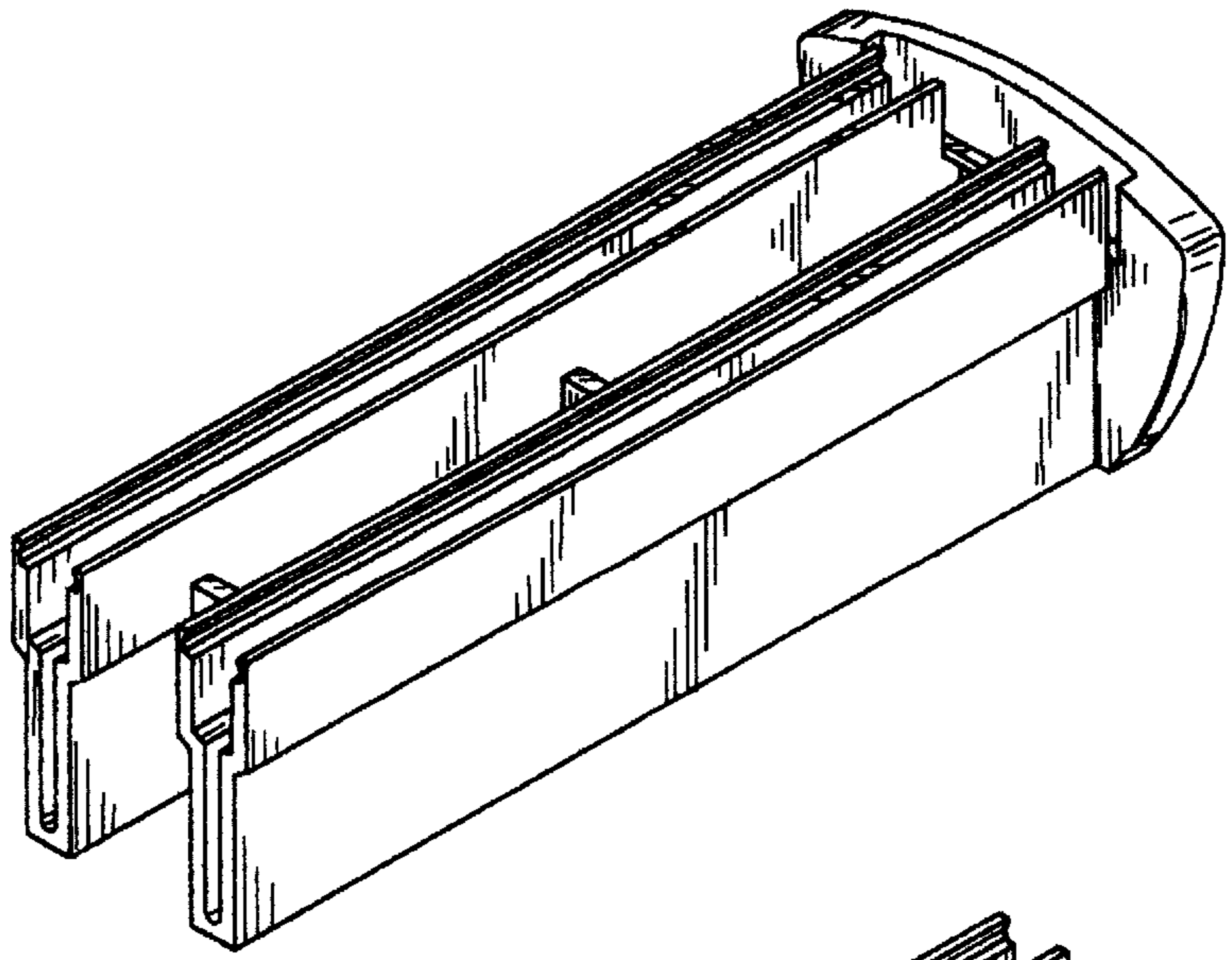


Fig. 1

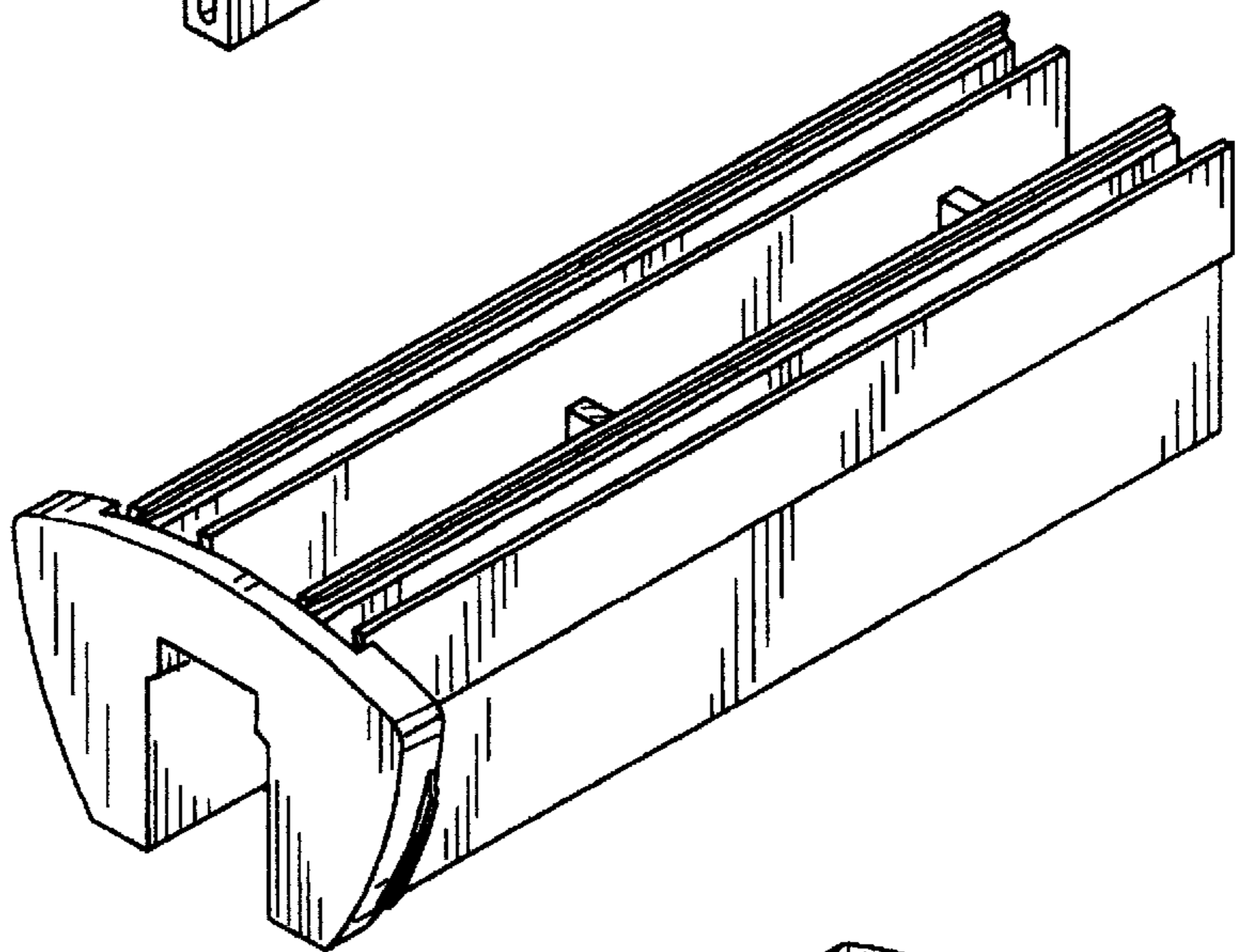


Fig. 2

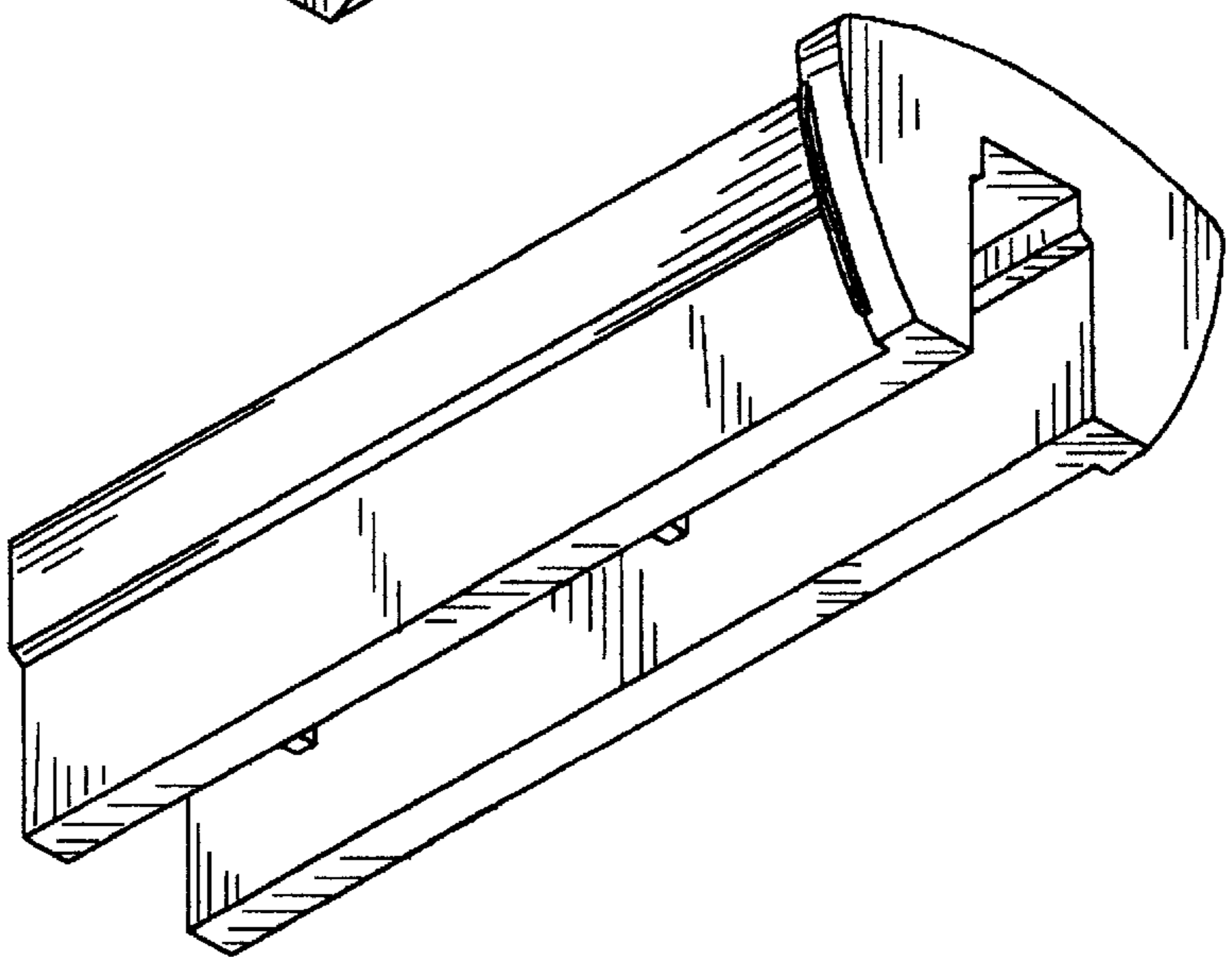


Fig. 3

Fig. 4

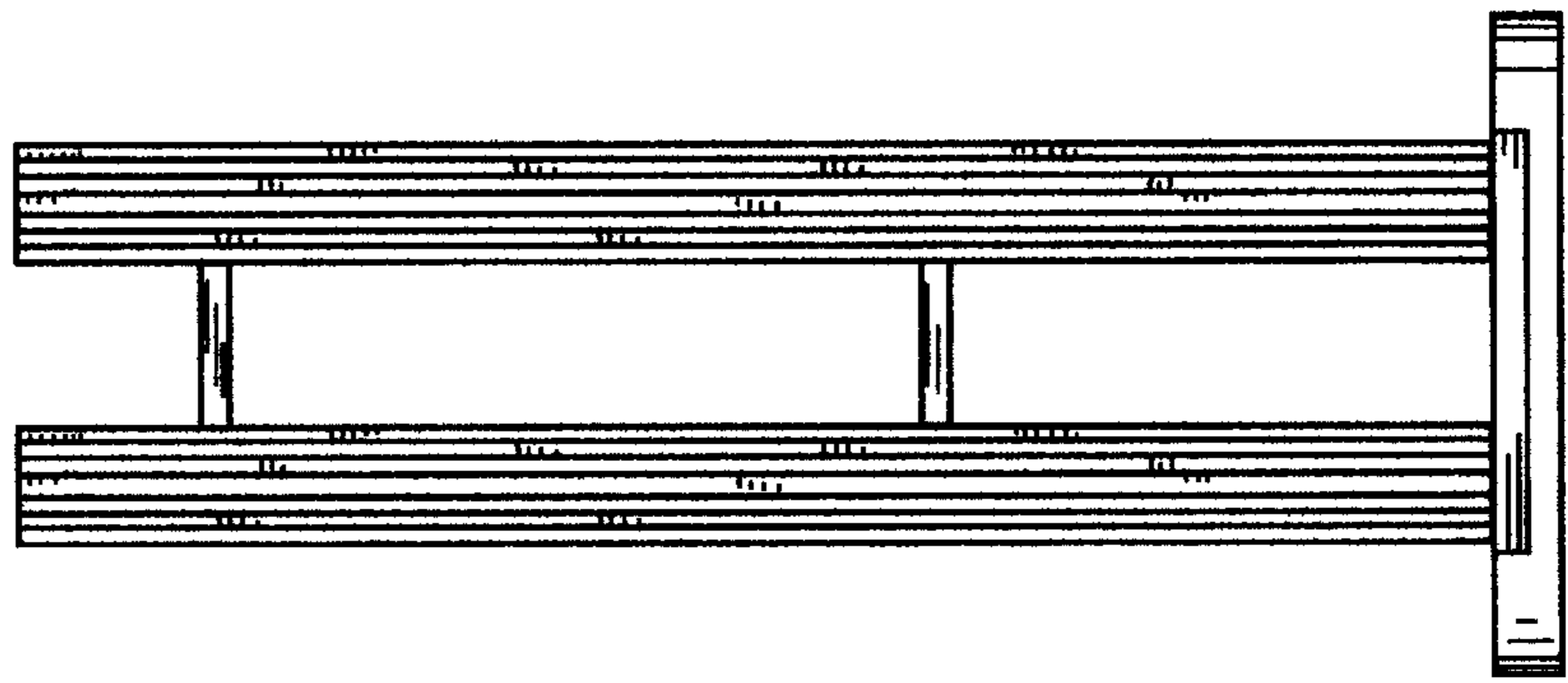


Fig. 5

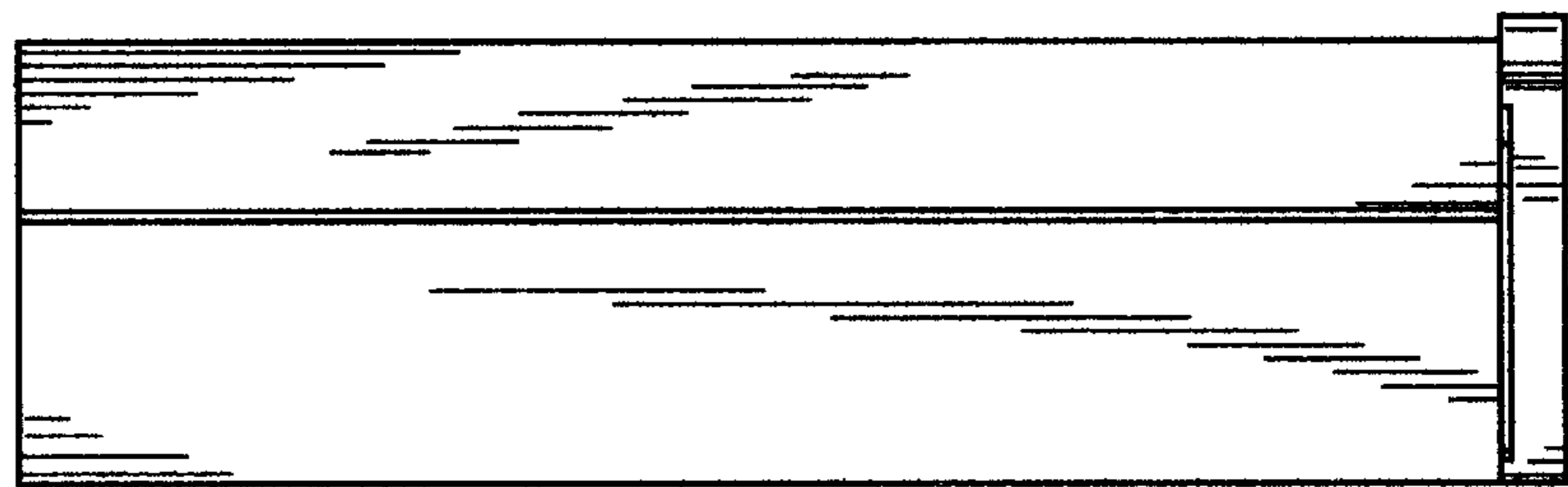


Fig. 6

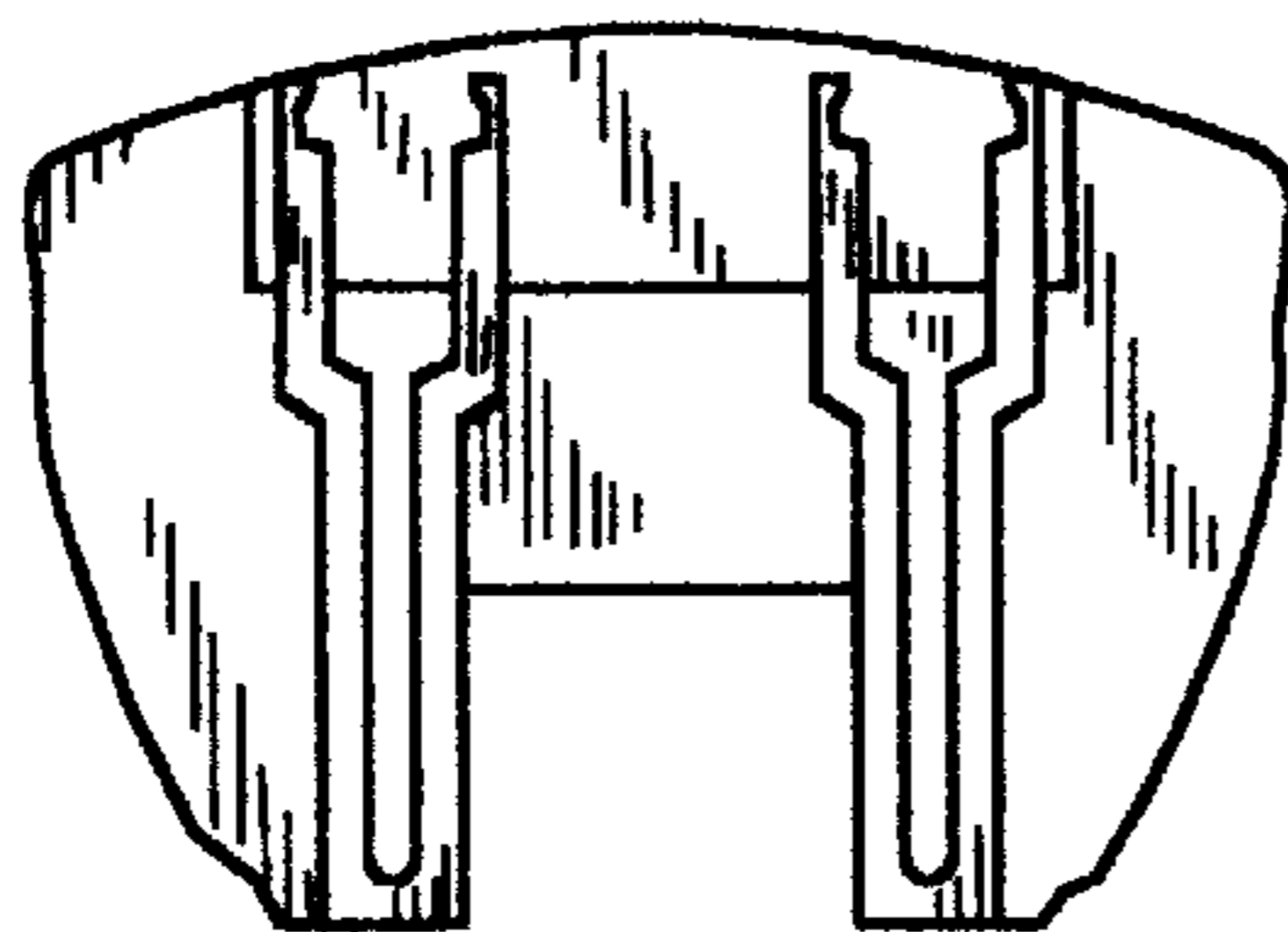
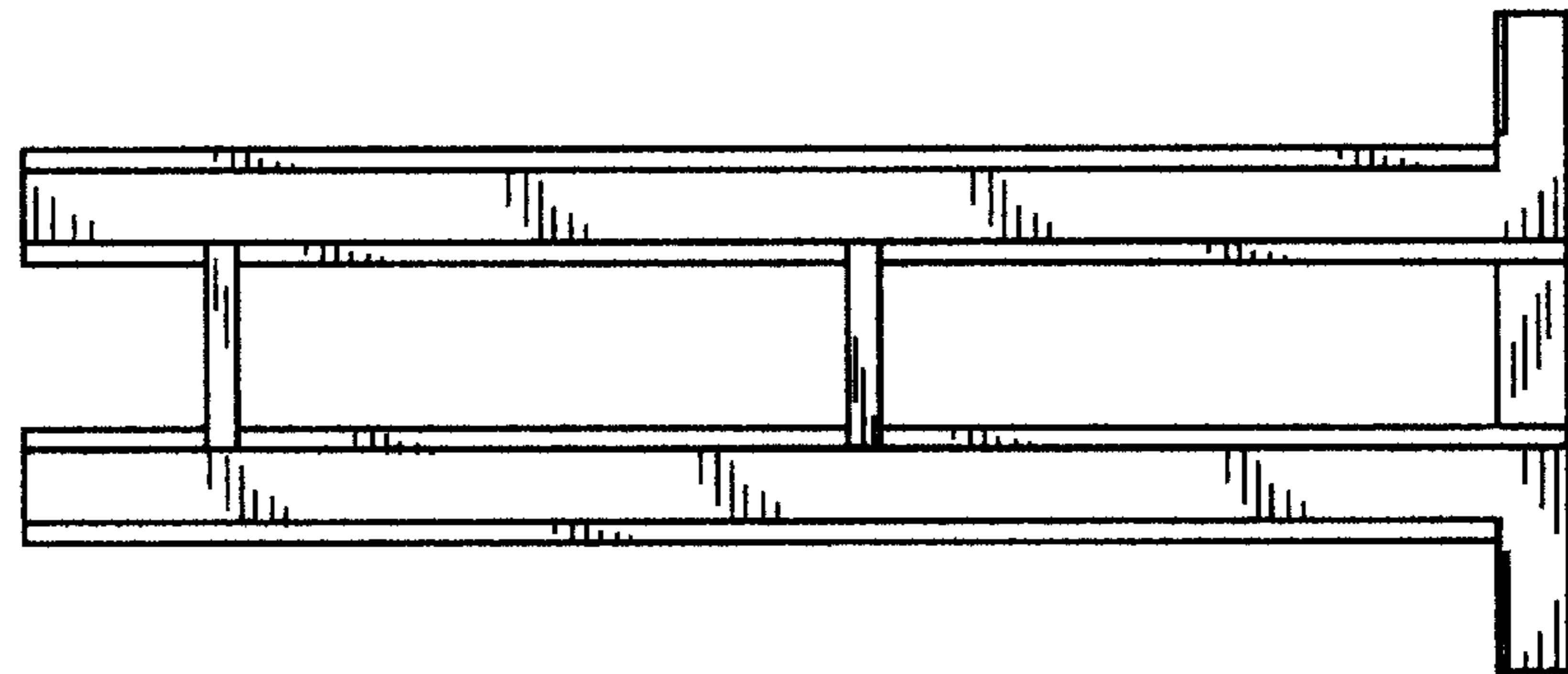


Fig. 7

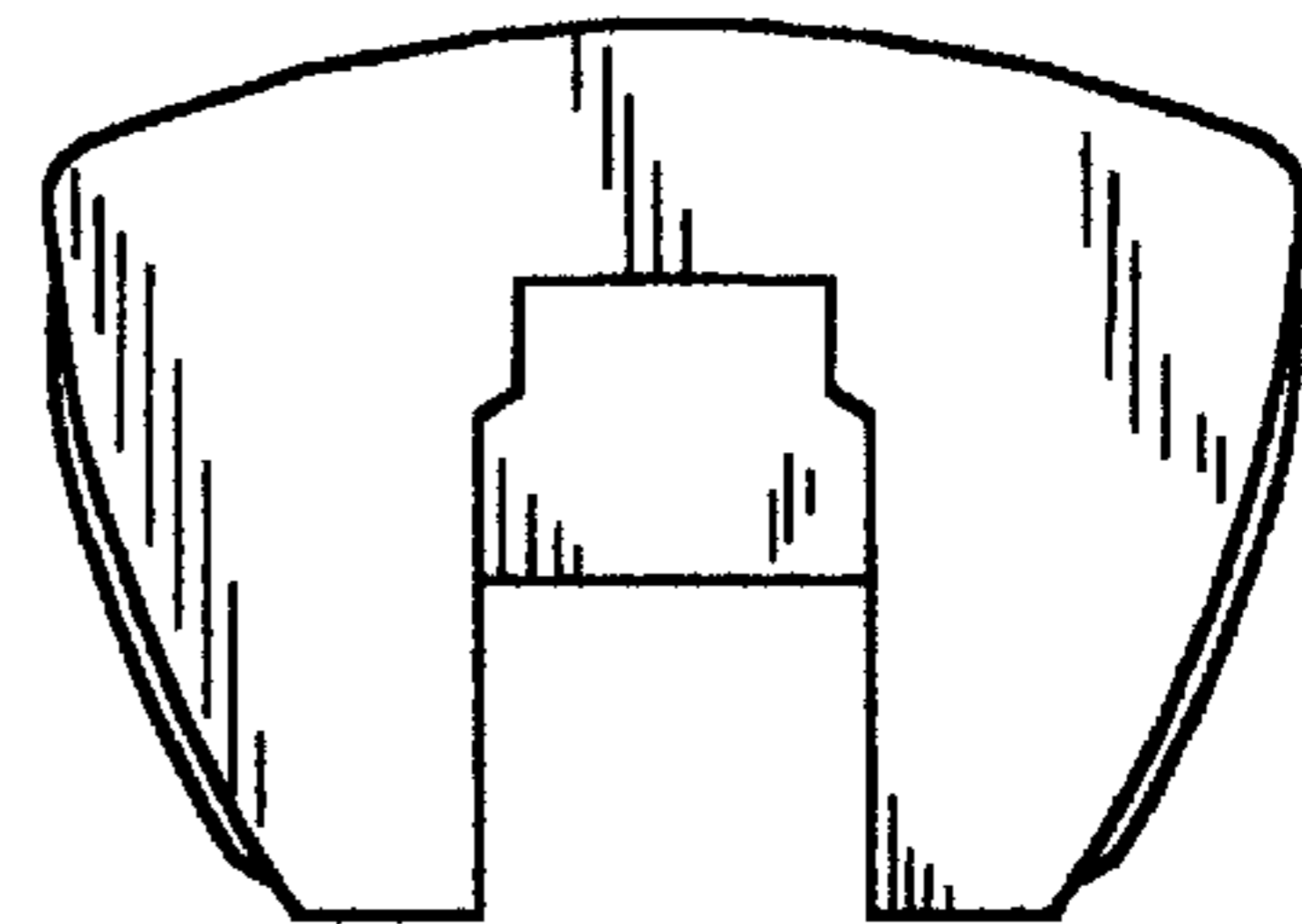


Fig. 8