



US00D437976S

(12) **United States Design Patent**
Narayanan et al.

(10) **Patent No.:** **US D437,976 S**
(45) **Date of Patent:** **** Feb. 20, 2001**

- (54) **FLOSSER TIP**
- (75) Inventors: **Ravikumar S. Narayanan; Eric D. Nelson**, both of Fort Collins, CO (US)
- (73) Assignee: **Water Pik, Inc.**, Newport Beach, CA (US)
- (**) Term: **14 Years**
- (21) Appl. No.: **29/115,986**
- (22) Filed: **Dec. 21, 1999**
- (51) **LOC (7) Cl.** **28-03**
- (52) **U.S. Cl.** **D28/65**
- (58) **Field of Search** D28/65, 66, 68; 132/322, 323, 324, 325, 326, 327, 328, 329; 433/114, 118, 125, 128, 147

- 4,397,327 8/1983 Hadary .
- 4,505,678 3/1985 Andersson .
- 4,576,190 3/1986 Youssef .
- 4,577,649 3/1986 Shimenkov .
- 4,608,019 8/1986 Kumabe et al. .
- 4,617,718 10/1986 Andersson .
- 4,634,376 1/1987 Mossle et al. .
- 4,791,940 12/1988 Hirshfeld et al. .
- 4,820,153 4/1989 Romhild et al. .
- 4,820,154 4/1989 Romhild et al. .
- 4,913,133 4/1990 Tichy .
- 4,922,936 5/1990 Buzzi et al. .

(List continued on next page.)

FOREIGN PATENT DOCUMENTS

- 42 23 196 A1 1/1994 (DE) .
- 42 26 659 A1 2/1994 (DE) .
- 43 09 078 A1 9/1994 (DE) .
- 297 15 234
- U1 12/1997 (DE) .
- 0 354 352 2/1990 (EP) .
- 661 025 B1 7/1995 (EP) .
- 429447 9/1911 (FR) .
- WO 94/04093 3/1994 (WO) .
- WO 95/02375 1/1995 (WO) .

(56) **References Cited**

U.S. PATENT DOCUMENTS

- Re. 30,536 3/1981 Perdeaux, Jr. .
- 237,062 * 1/1881 Starr 433/147
- 302,430 * 7/1884 Roque 433/128
- 1,229,024 * 6/1917 Brandt 433/147
- 1,355,037 10/1920 Dziuk .
- 2,016,597 10/1935 Drake .
- 2,931,371 4/1960 Petitta .
- 3,552,022 1/1971 Axelsson .
- 3,559,292 2/1971 Weissman .
- 3,563,233 2/1971 Bodine .
- 3,624,908 * 12/1971 Ricketts et al. 433/118
- 3,660,902 5/1972 Axelsson .
- 3,672,378 6/1972 Silverman .
- 3,809,977 5/1974 Balamuth et al. .
- 3,967,617 7/1976 Krolík .
- 4,048,723 9/1977 Thorup .
- 4,109,384 * 8/1978 Dorian 433/147
- 4,205,664 6/1980 Baccialon .
- 4,289,486 9/1981 Sargeant .
- 4,319,377 3/1982 Tarrson et al. .
- 4,319,595 3/1982 Ulrich .
- 4,326,547 4/1982 Verplank .
- 4,326,548 4/1982 Wagner .
- 4,347,839 9/1982 Youngclaus, Jr. .

Primary Examiner—Paula A. Mortimer
(74) *Attorney, Agent, or Firm*—Dorsey & Whitney LLP

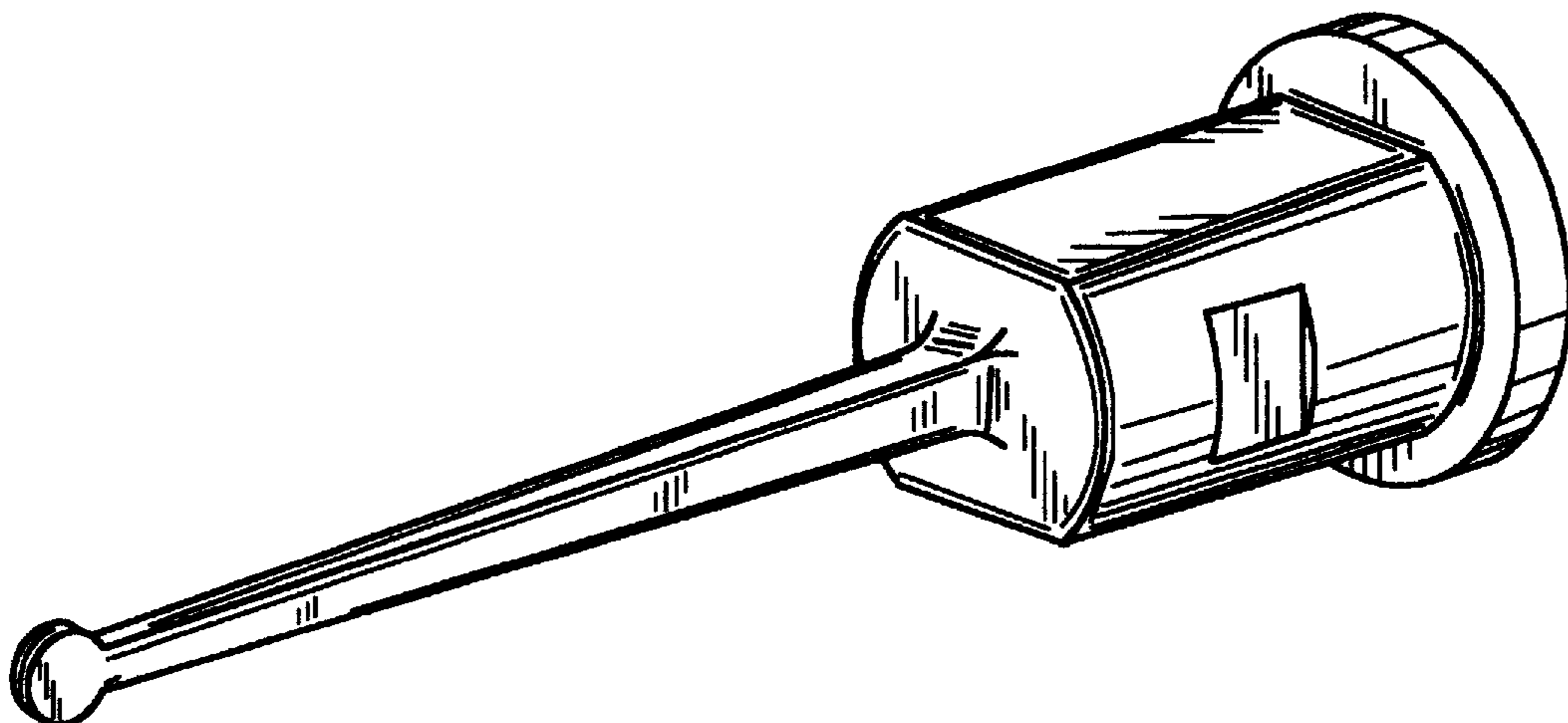
(57) **CLAIM**

The ornamental design for a flosser tip, as shown and described.

DESCRIPTION

FIG. 1 is an isometric view of a flosser tip showing our new design;
FIG. 2 is a top plan view thereof, the bottom plan view being a mirror image thereof;
FIG. 3 is a front elevation view thereof;
FIG. 4 is a left side elevation view thereof;
FIG. 5 is a right side elevation view thereof; and,
FIG. 6 is a rear elevation view thereof.

1 Claim, 2 Drawing Sheets



US D437,976 S

Page 2

U.S. PATENT DOCUMENTS

4,995,403	2/1991	Beckman et al. .	5,236,358	8/1993	Sieffert .
5,000,684	3/1991	Odrich .	5,393,229	2/1995	Ram .
5,002,487	3/1991	Tichy .	5,573,020	11/1996	Robinson .
5,050,625	9/1991	Siekmann .	5,700,146	12/1997	Kucar .
5,069,621	12/1991	Paradis .	5,709,233	1/1998	Boland et al. .
5,071,348	12/1991	Woog .	5,718,667	2/1998	Sugimoto et al. .
5,100,321	3/1992	Coss et al. .	5,738,575	4/1998	Bock .
5,123,841	6/1992	Milner .	5,787,908	8/1998	Robinson .
5,133,661	7/1992	Euvrard .	5,827,064	10/1998	Bock .
5,169,313	12/1992	Kline .	5,855,216	1/1999	Robinson .
5,170,809	12/1992	Imai et al. .	5,944,033	8/1999	Robinson .
5,224,500	7/1993	Stella .			

* cited by examiner

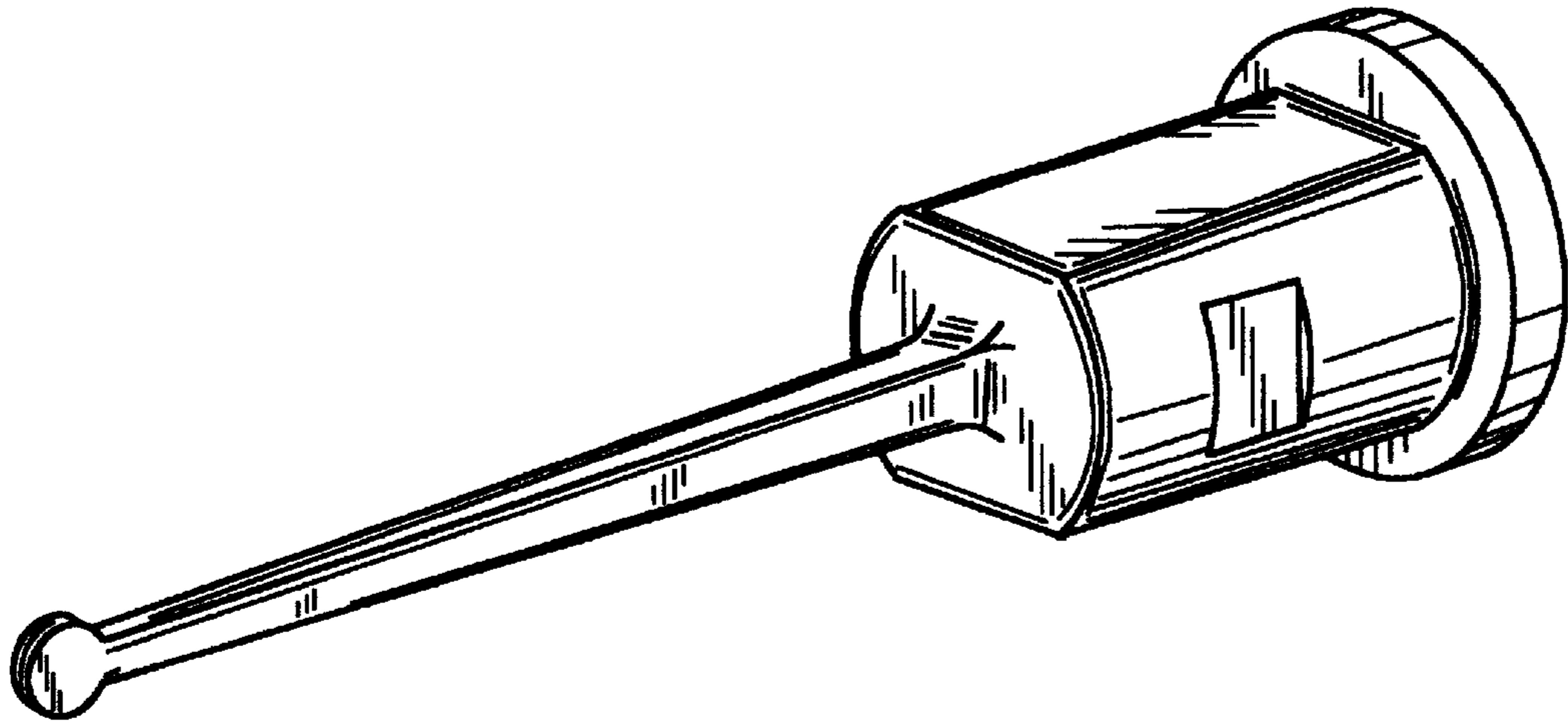


Fig. 1

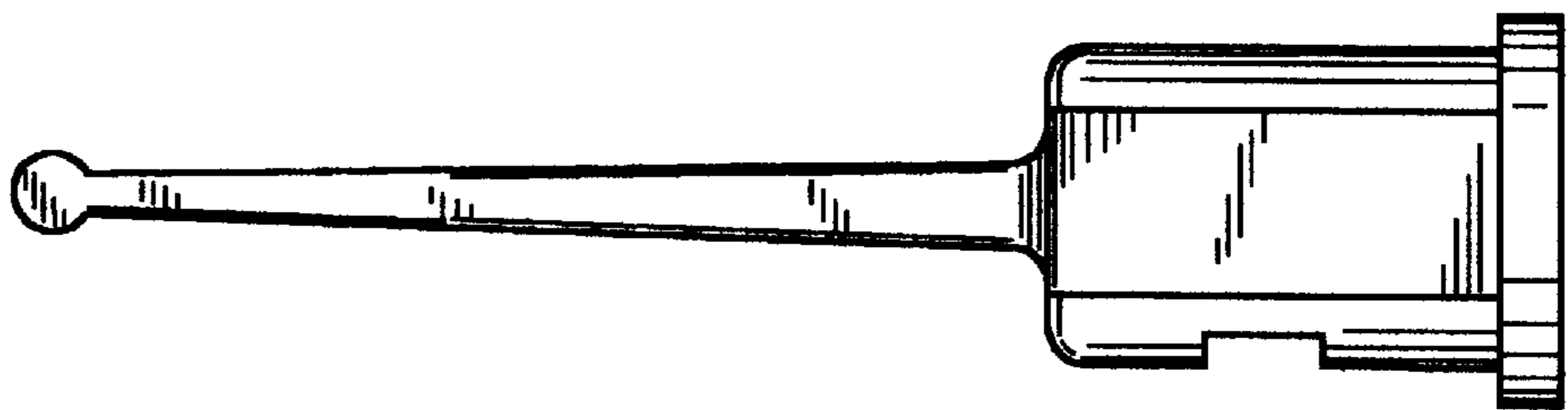


Fig. 2

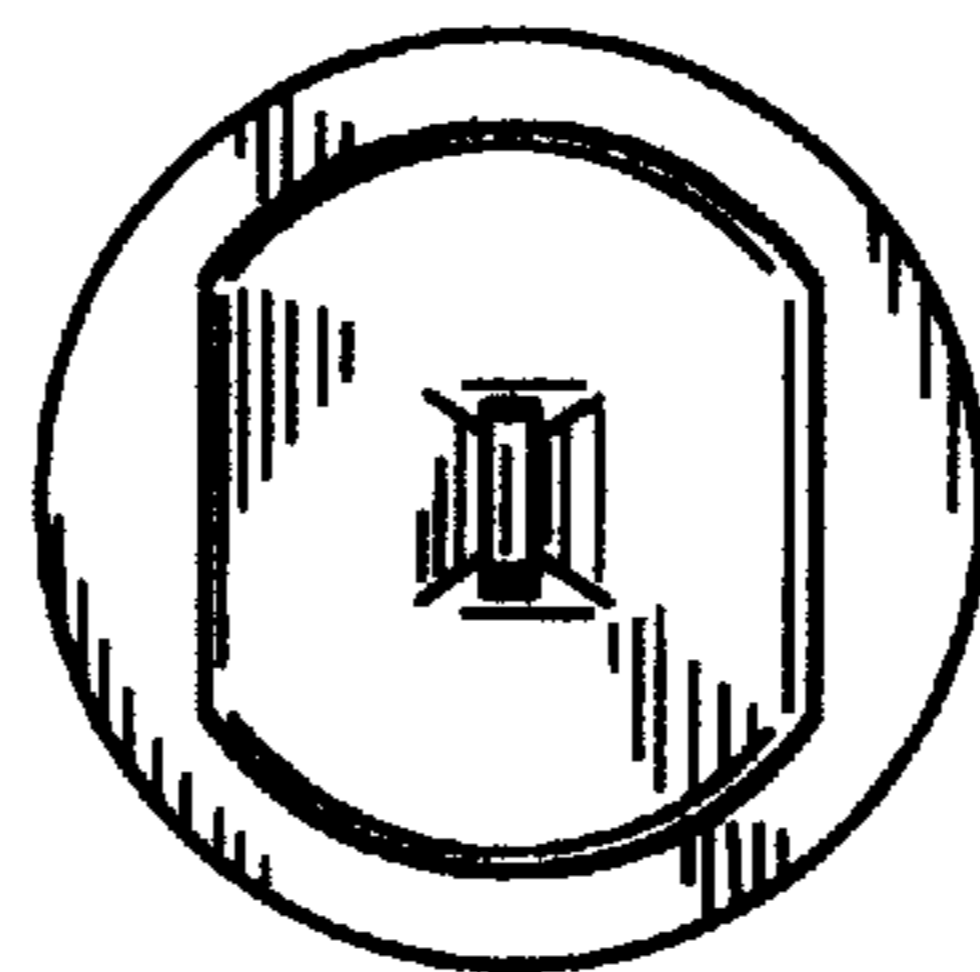


Fig. 3

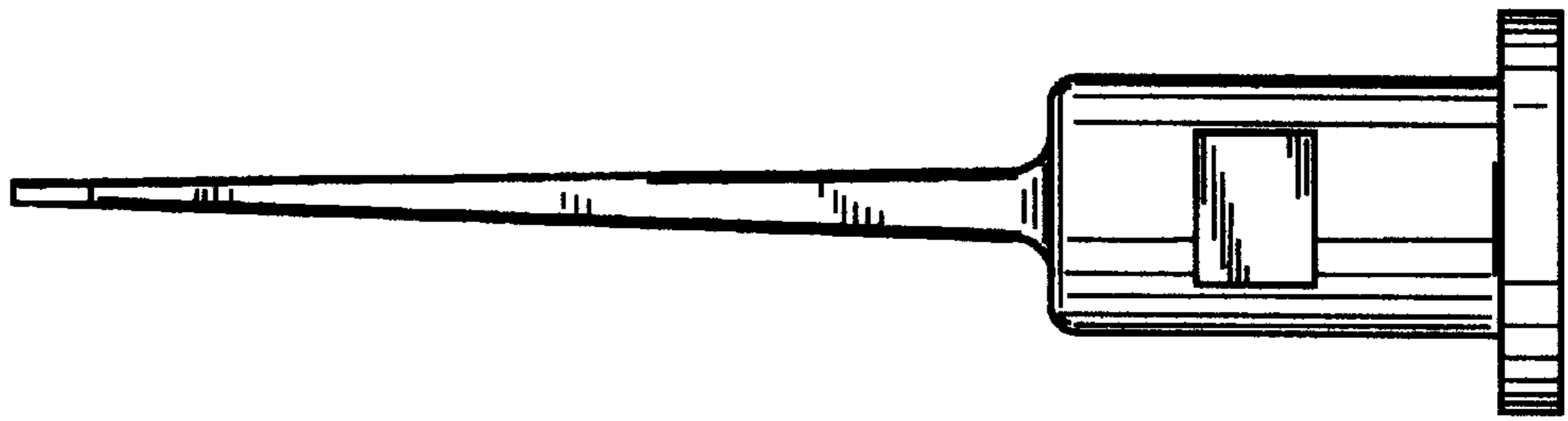


Fig. 4

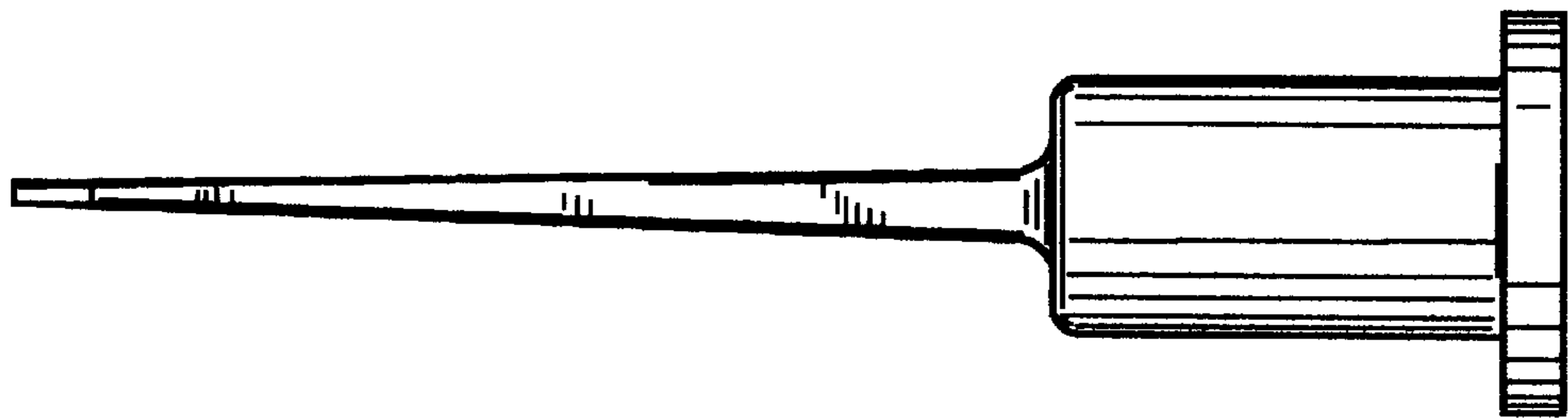


Fig. 5

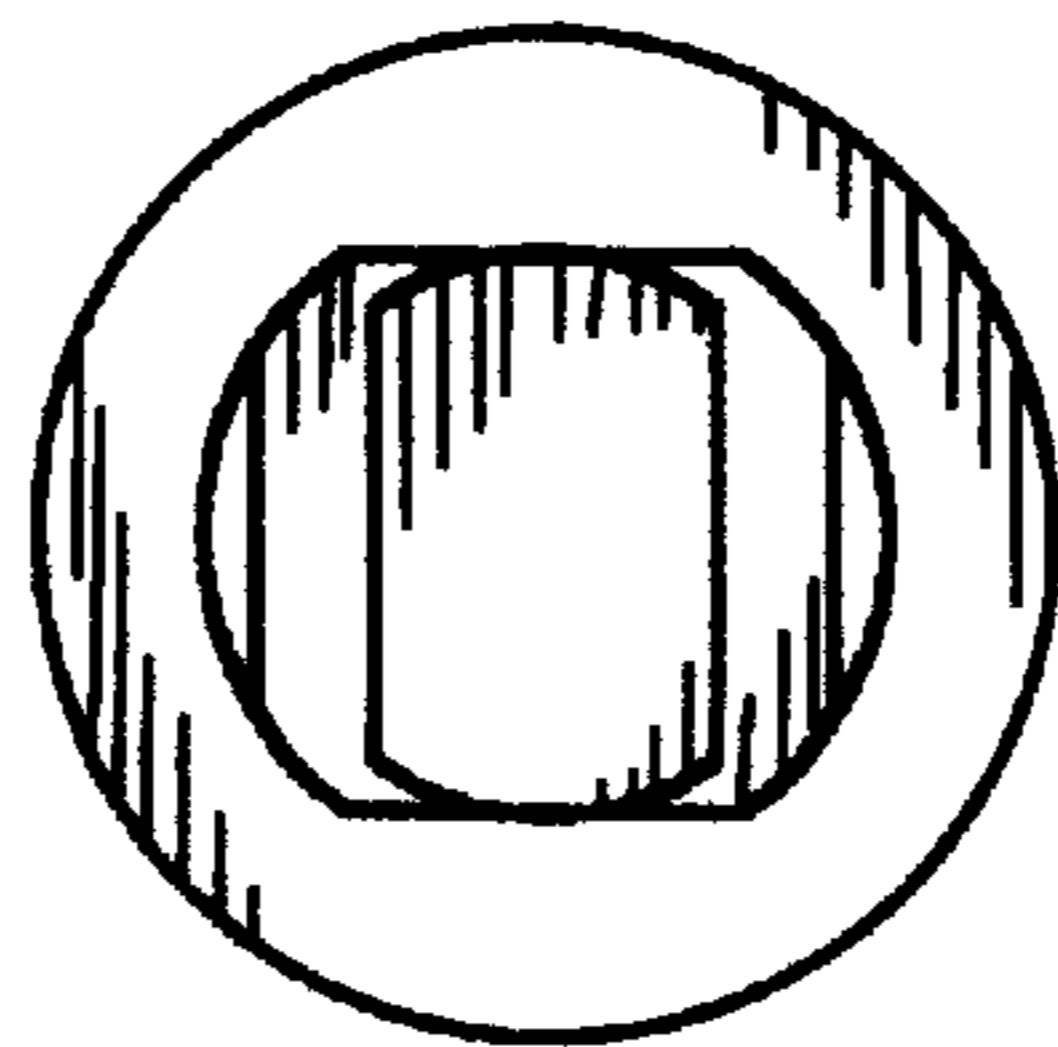


Fig. 6

UNITED STATES PATENT AND TRADEMARK OFFICE
CERTIFICATE OF CORRECTION

PATENT NO. : Des 437,976 S
DATED : February 20, 2001
INVENTOR(S) : Ravikumar S. Narayanan et al.

Page 1 of 2

It is certified that error appears in the above-identified patent and that said Letters Patent is hereby corrected as shown below:

Title page,

Fig. 1. should be replaced with attached Fig. 1 on drawing sheet 1/2; and


Drawings,

Drawing sheet 1/2 should be replaced with attached drawing sheet 1/2.

Signed and Sealed this

Twenty-seventh Day of August, 2002

Attest:



Attesting Officer

JAMES E. ROGAN
Director of the United States Patent and Trademark Office

1/2

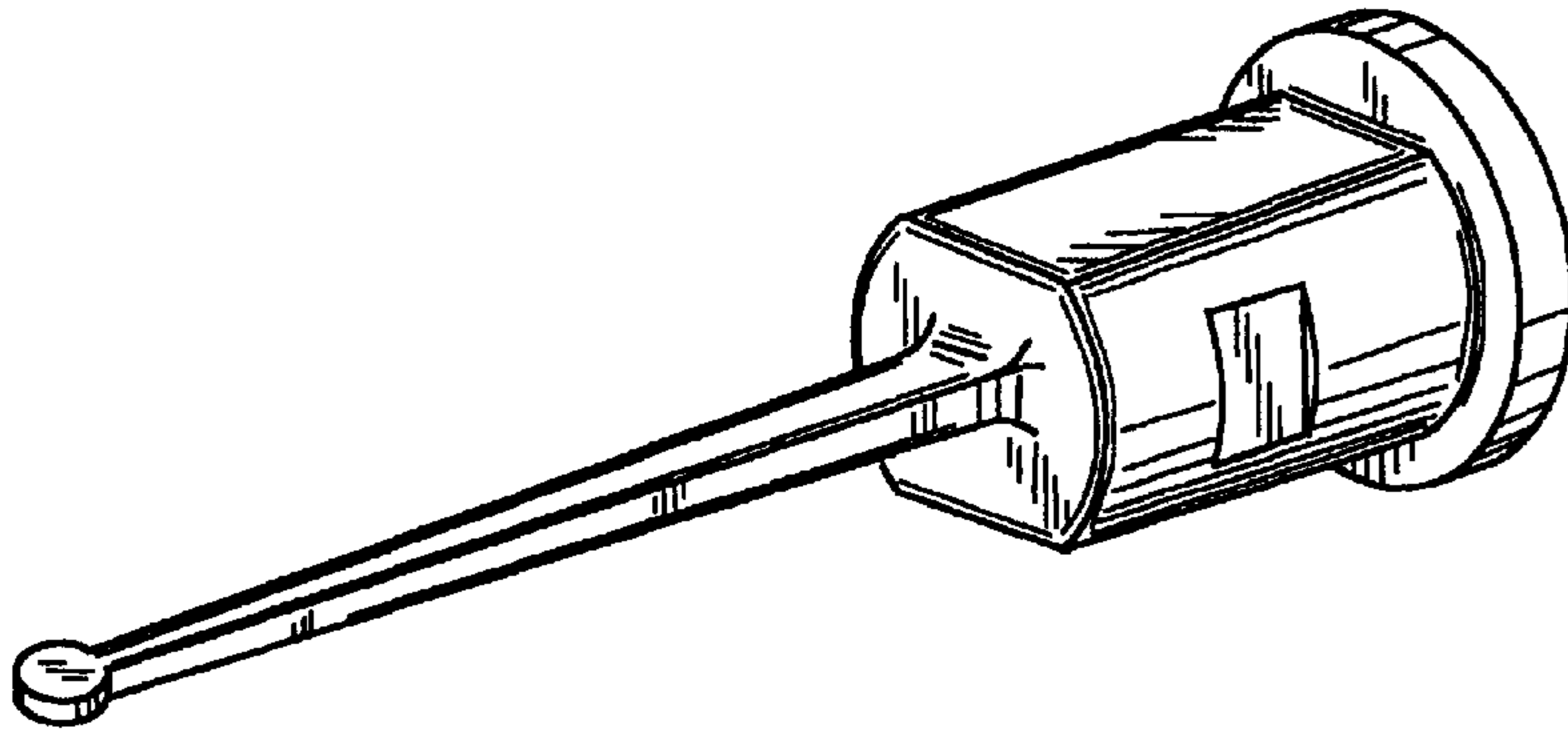


Fig. 1



Fig. 2

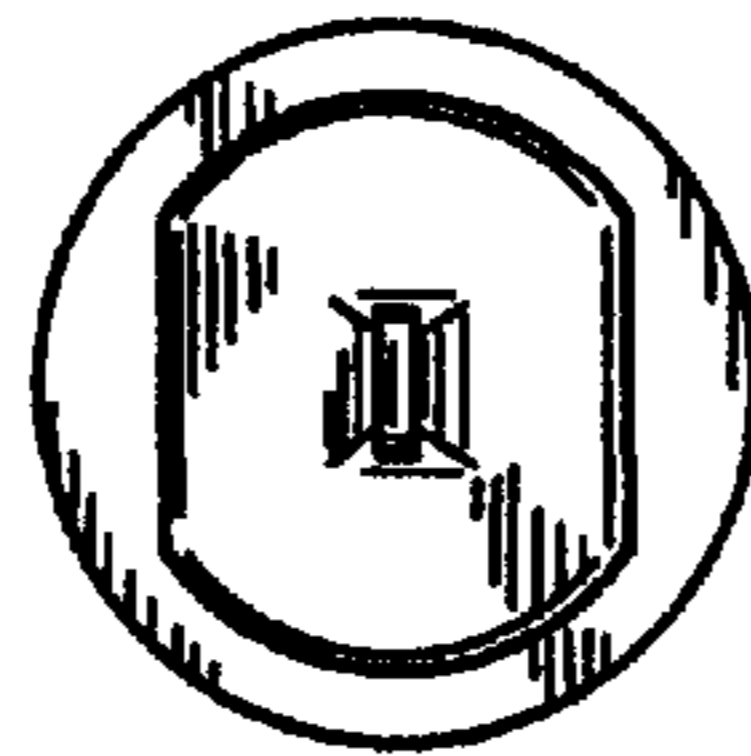


Fig. 3