



US00D437967S

(12) **United States Design Patent**
Galtt et al.

(10) **Patent No.:** **US D437,967 S**

(45) **Date of Patent:** **** Feb. 20, 2001**

(54) **OIL LAMP**

(75) Inventors: **Preben Galtt**, Copenhagen (DK);
Christopher Alvear, Beverly Hills, CA
(US)

(73) Assignee: **Friedenslampe AG**, Zug (CH)

(**) Term: **14 Years**

(21) Appl. No.: **29/120,163**

(22) Filed: **Mar. 16, 2000**

(30) **Foreign Application Priority Data**

Sep. 17, 1999 (NL) MA 1999 01108

(51) **LOC (7) Cl.** **26-99**

(52) **U.S. Cl.** **D26/114; D26/11**

(58) **Field of Search** D26/6, 7, 9-11,
D26/114; 431/311, 320, 298; 362/161-163,
351

(56) **References Cited**

U.S. PATENT DOCUMENTS

D. 307,638 * 5/1990 Perkins D26/11

D. 359,572 * 6/1995 Caplette D26/11
D. 406,368 * 3/1999 Joergensen D26/11
D. 420,754 * 2/2000 Huang D26/11
4,937,701 * 6/1990 Schroder 362/161

OTHER PUBLICATIONS

Illuminations catalog; item A Sonata; p. 29; 1996.*

* cited by examiner

Primary Examiner—Robin V. Taylor

(74) *Attorney, Agent, or Firm*—Jacobson, Price, Holman & Stern, PLLC

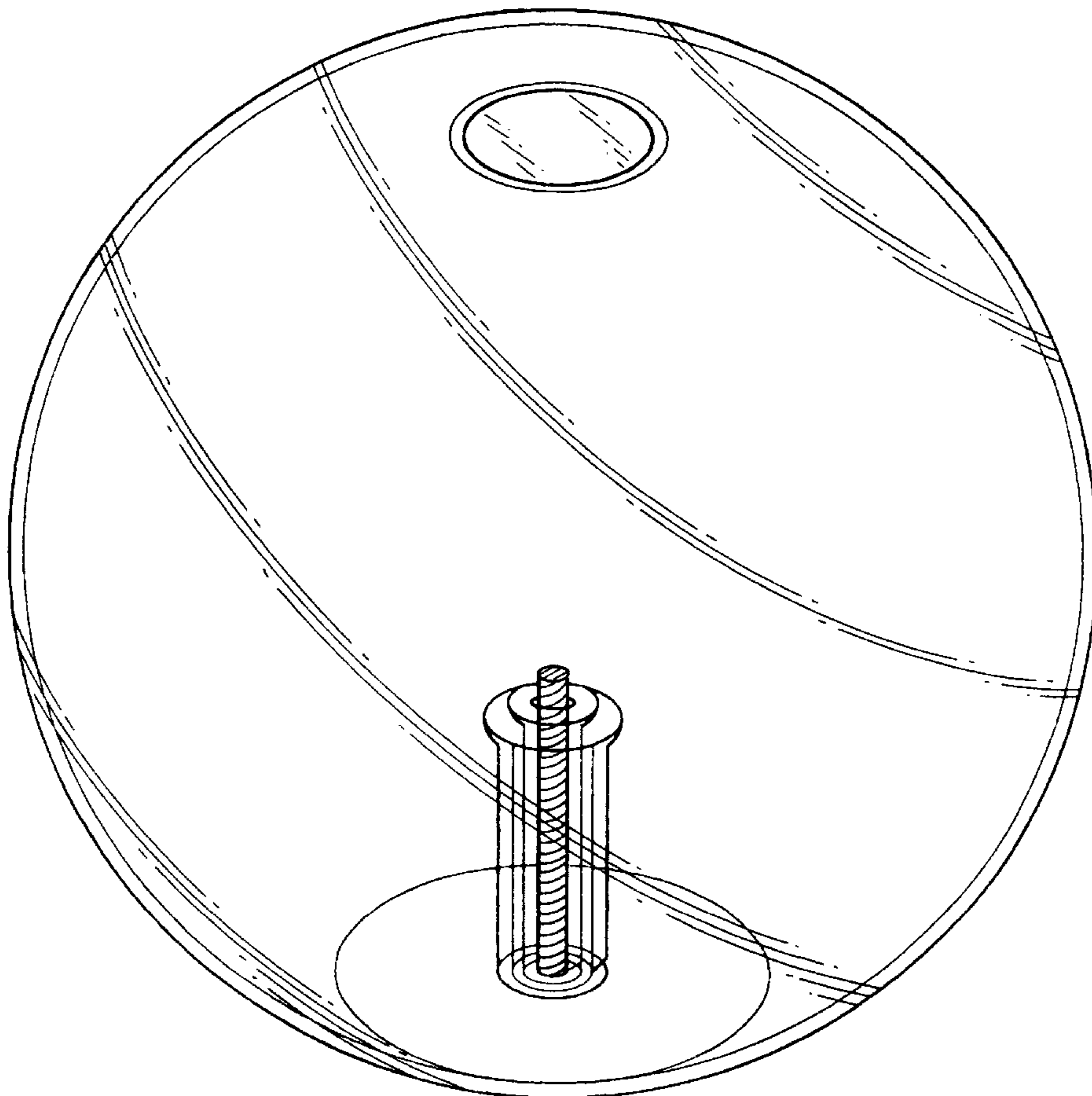
(57) **CLAIM**

The ornamental design for an oil lamp, as shown and described.

DESCRIPTION

FIG. 1 is a front elevation of the oil lamp;
FIG. 2 is a top plan view thereof; and,
FIG. 3 is a perspective view of the oil lamp.

1 Claim, 3 Drawing Sheets



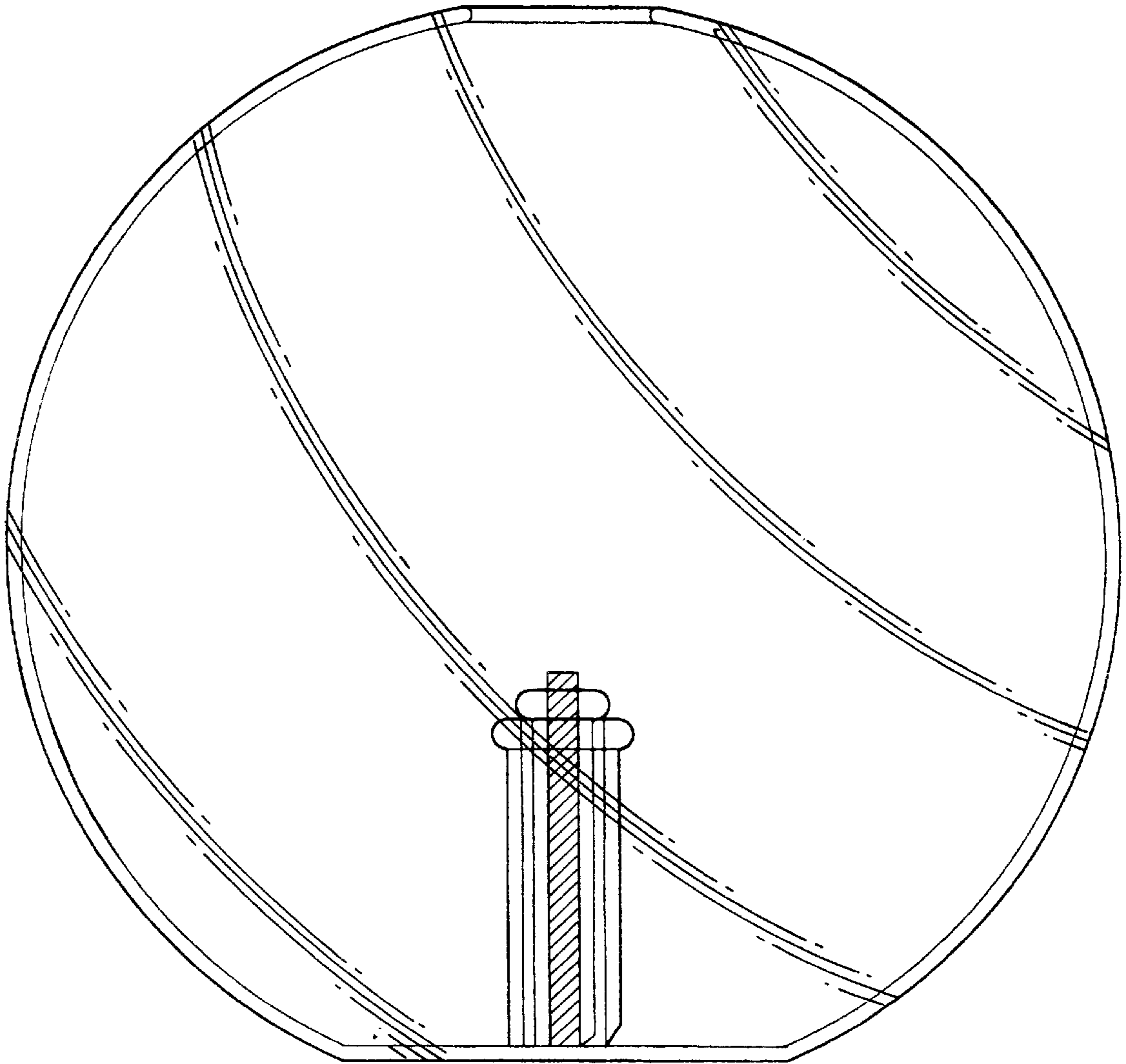


FIG. 1

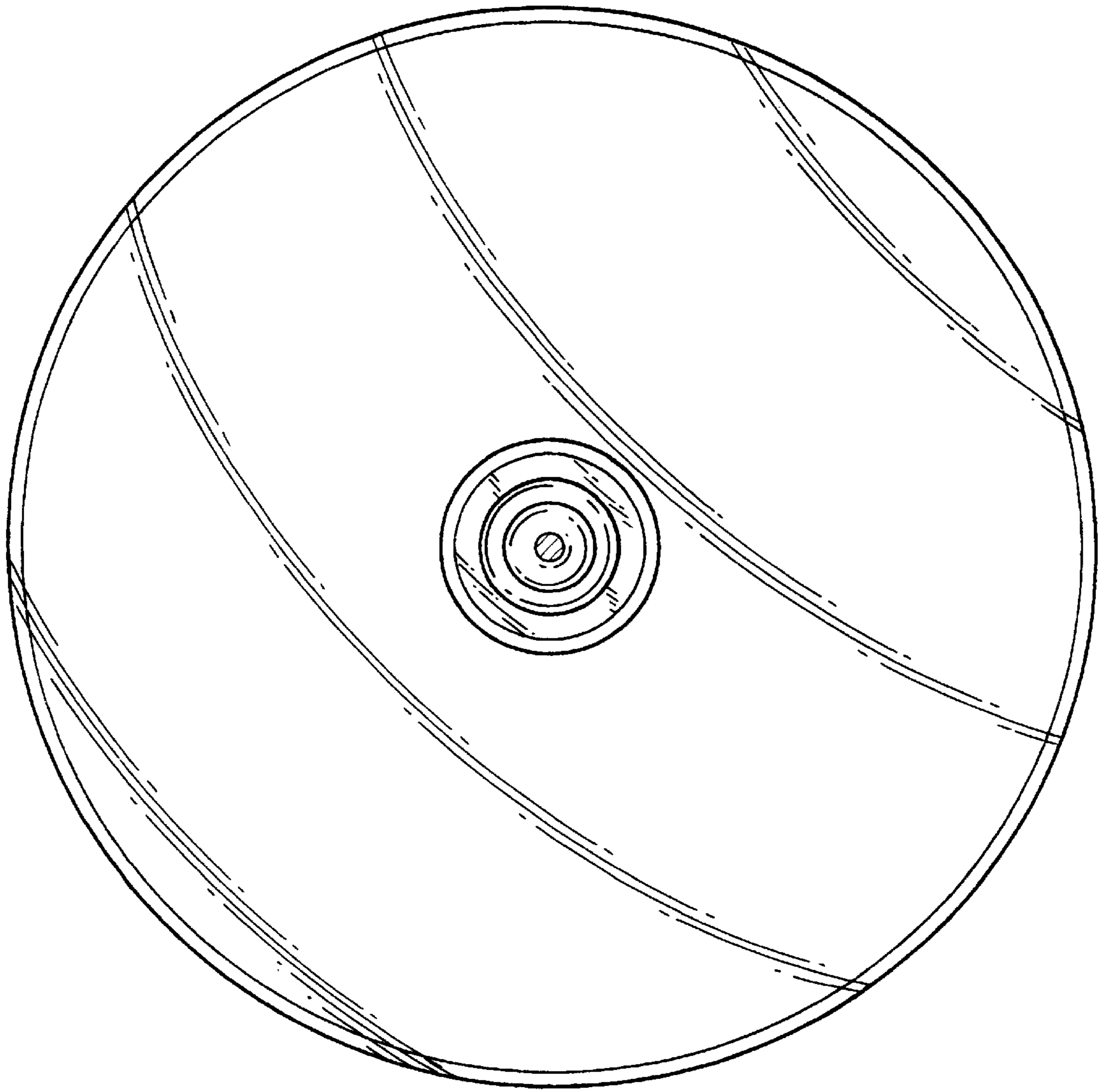


FIG. 2

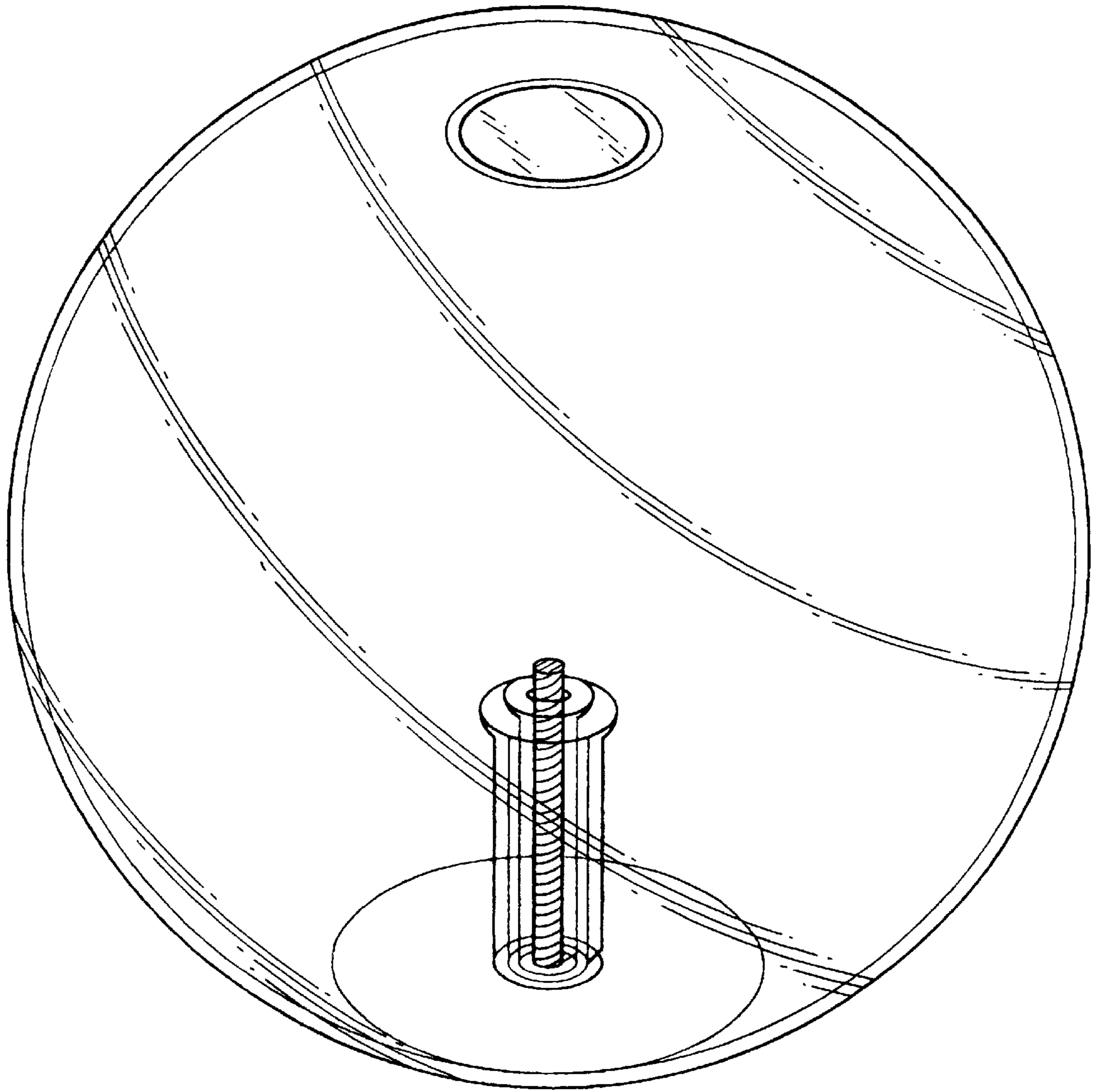


FIG. 3