



US00D437966S

(12) **United States Design Patent**
Hsu

(10) **Patent No.:** **US D437,966 S**

(45) **Date of Patent:** **** Feb. 20, 2001**

(54) **TABLE LAMP**

(75) Inventor: **Peter Hsu**, Taichung (TW)

(73) Assignee: **Dong Guan Bright Yin Huey Lighting Co., Ltd.**, Guang Dong (CN)

(**) Term: **14 Years**

(21) Appl. No.: **29/126,162**

(22) Filed: **Jul. 12, 2000**

(51) **LOC (7) Cl.** **26-03**

(52) **U.S. Cl.** **D26/110**

(58) **Field of Search** D26/92-113; 362/410-414,
362/122, 431, 806; 248/158

(56) **References Cited**

U.S. PATENT DOCUMENTS

D. 274,475 * 6/1984 Caldwell D26/110

OTHER PUBLICATIONS

Taiwan Lighting, lamp number 505038, p. 99, Nov. 1996.*
Taiwan Lighting, lamps at bottom of p. 122, Aug. 1996.*
Home Lighting and Accessories, lamp at lower left corner of
p. 110, May 1998.*

Speer Collectibles catalog, lamp on p. 9, 1990.*

* cited by examiner

Primary Examiner—Alan P. Douglas

Assistant Examiner—Linda Brooks

(74) *Attorney, Agent, or Firm*—Rosenberg, Klein & Lee

(57) **CLAIM**

The ornamental design for a table lamp, as shown and described.

DESCRIPTION

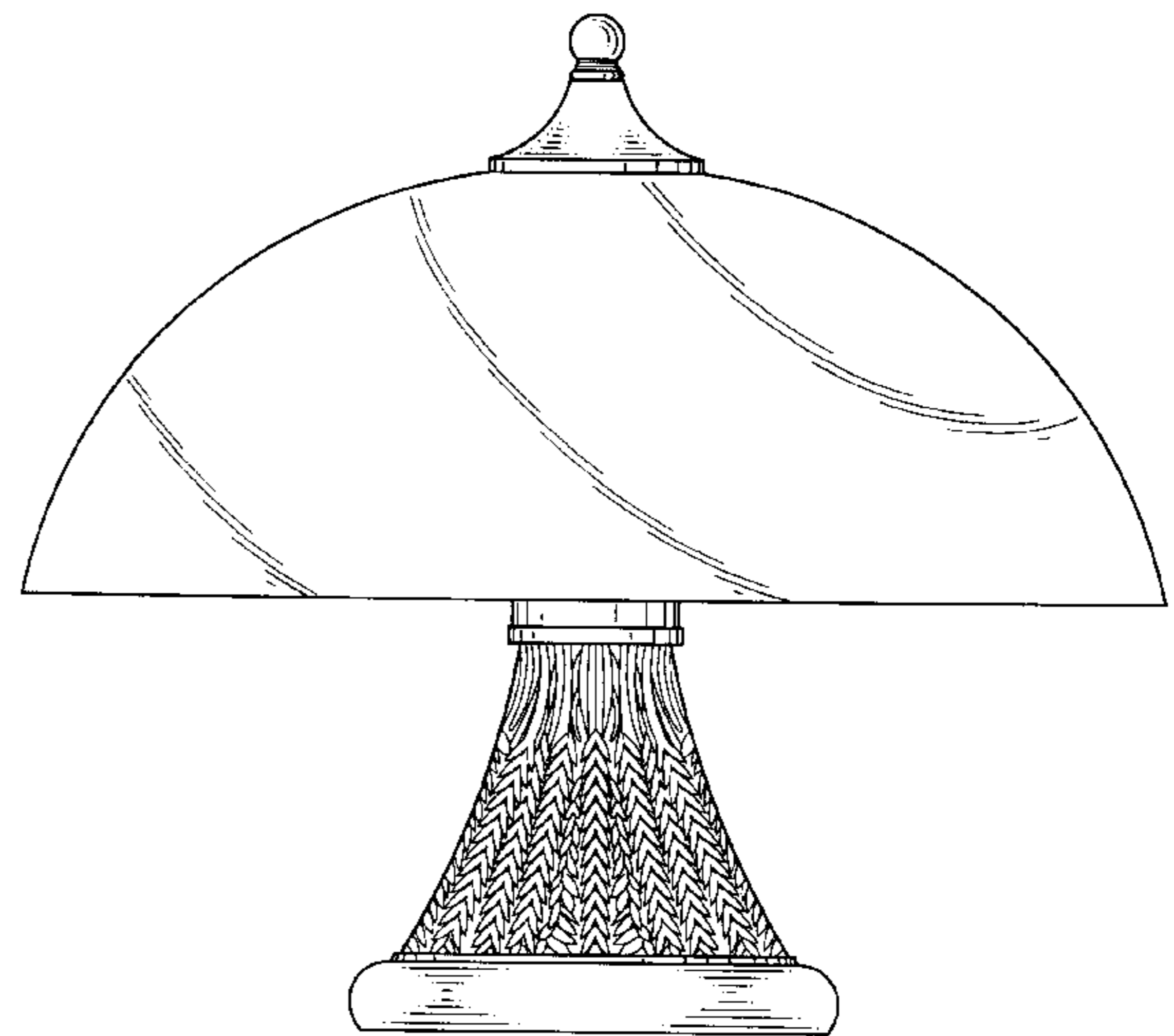
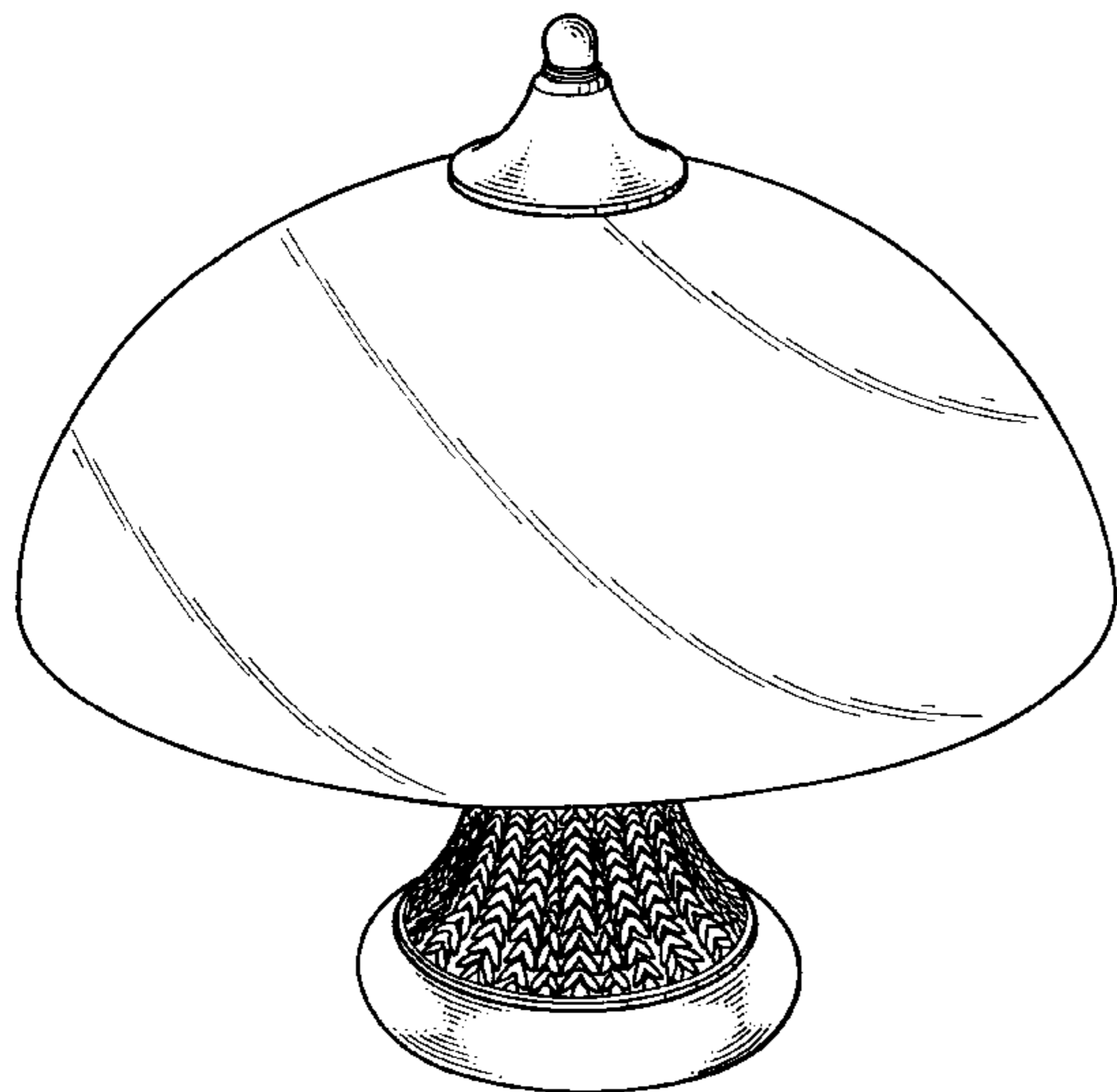
FIG. 1 is a perspective view of table lamp showing my new design;

FIG. 2 is a front elevation view thereof, the rear, the left and the right side elevation view thereof being identical in appearance;

FIG. 3 is a top plan view thereof; and,

FIG. 4 is a bottom plan view thereof.

1 Claim, 4 Drawing Sheets



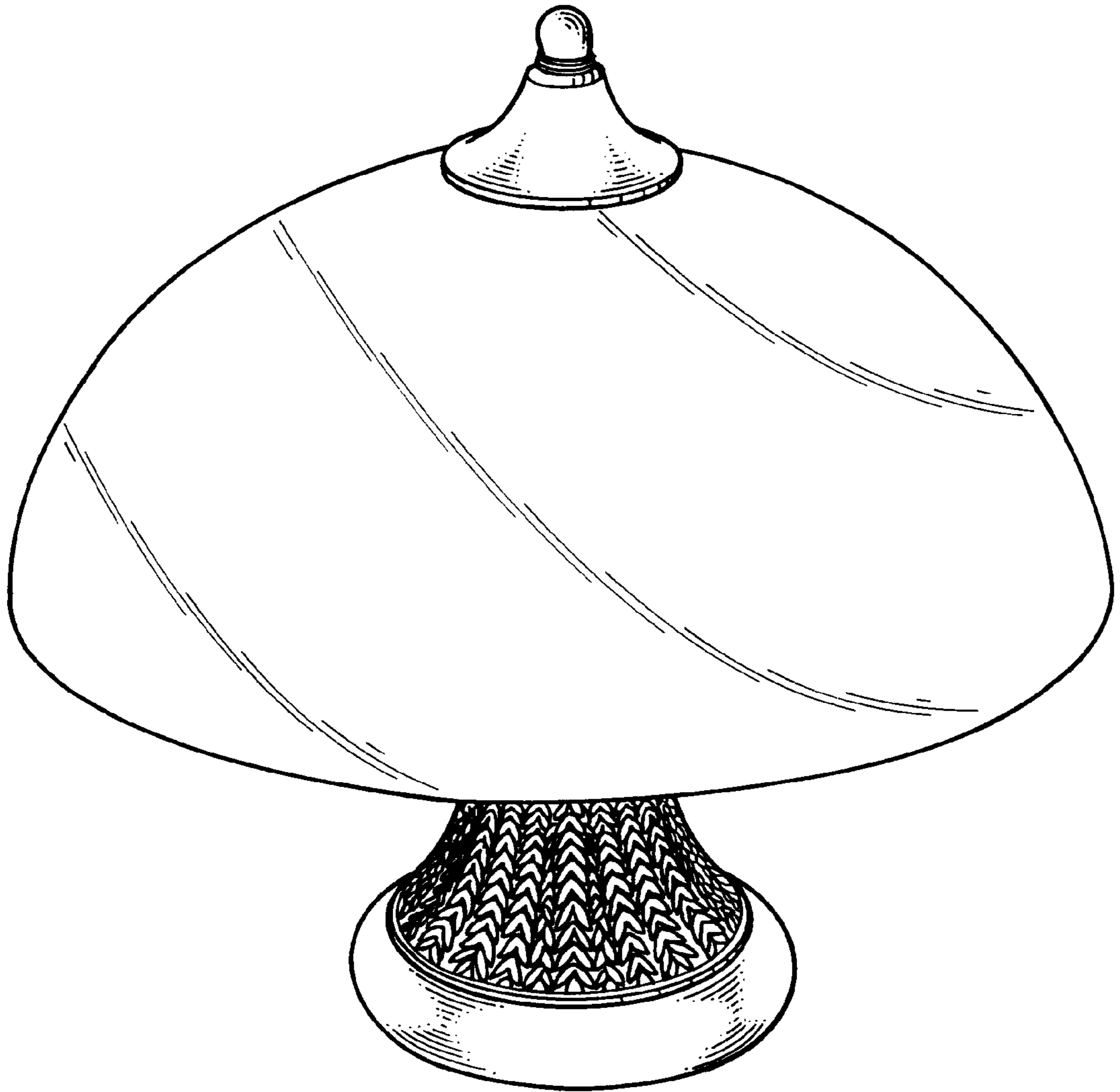


FIG. 1

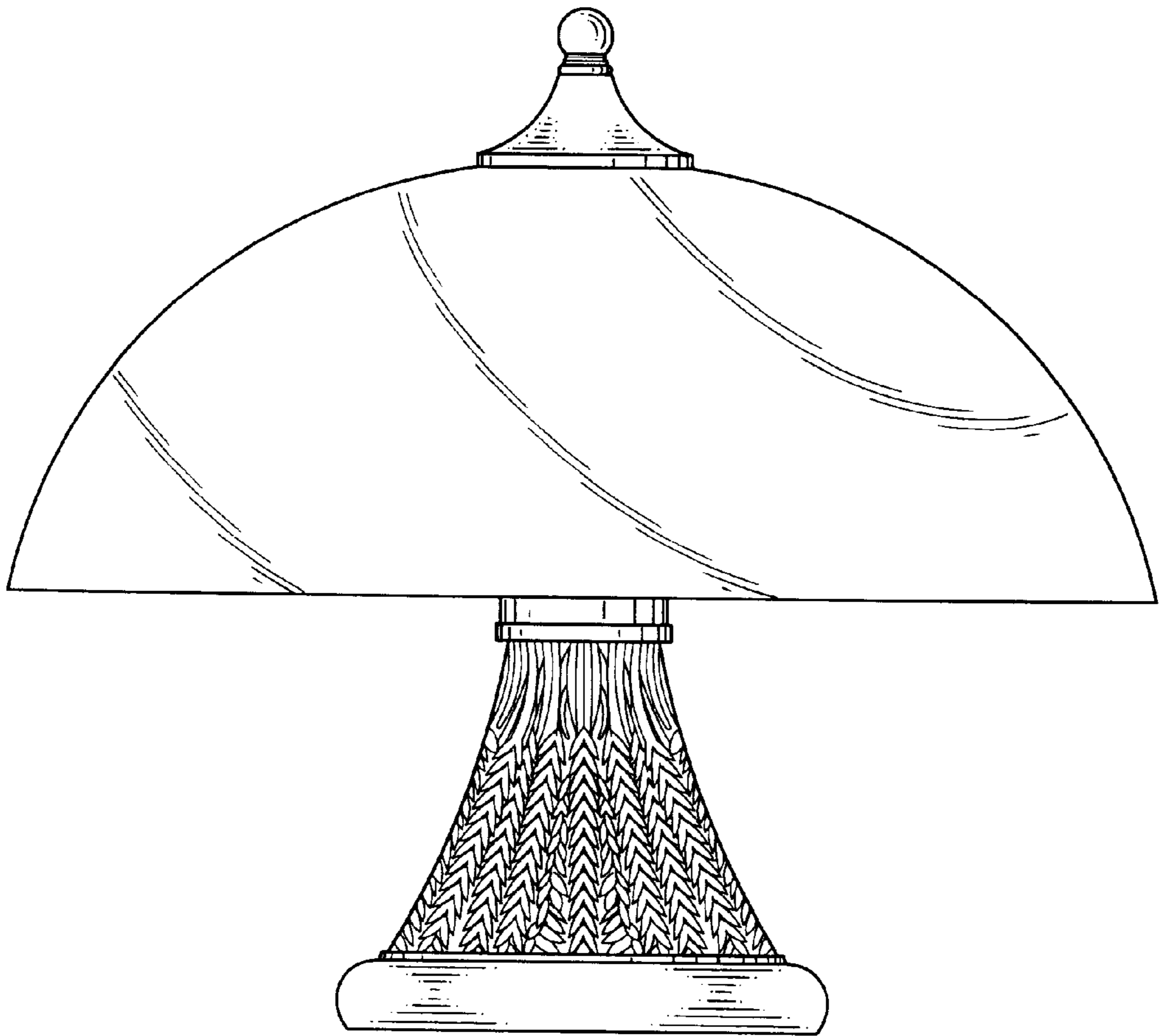


FIG. 2

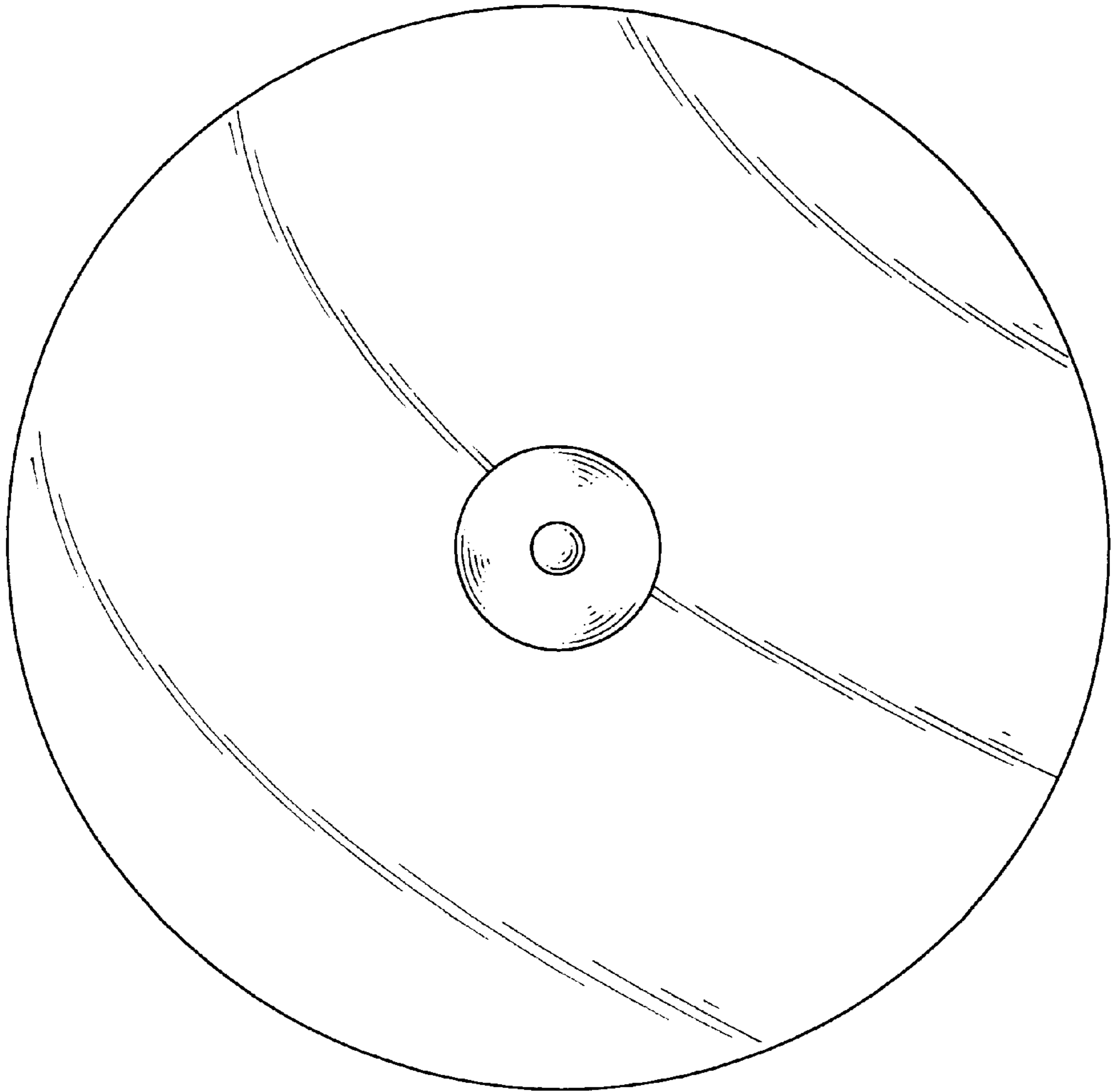


FIG. 3

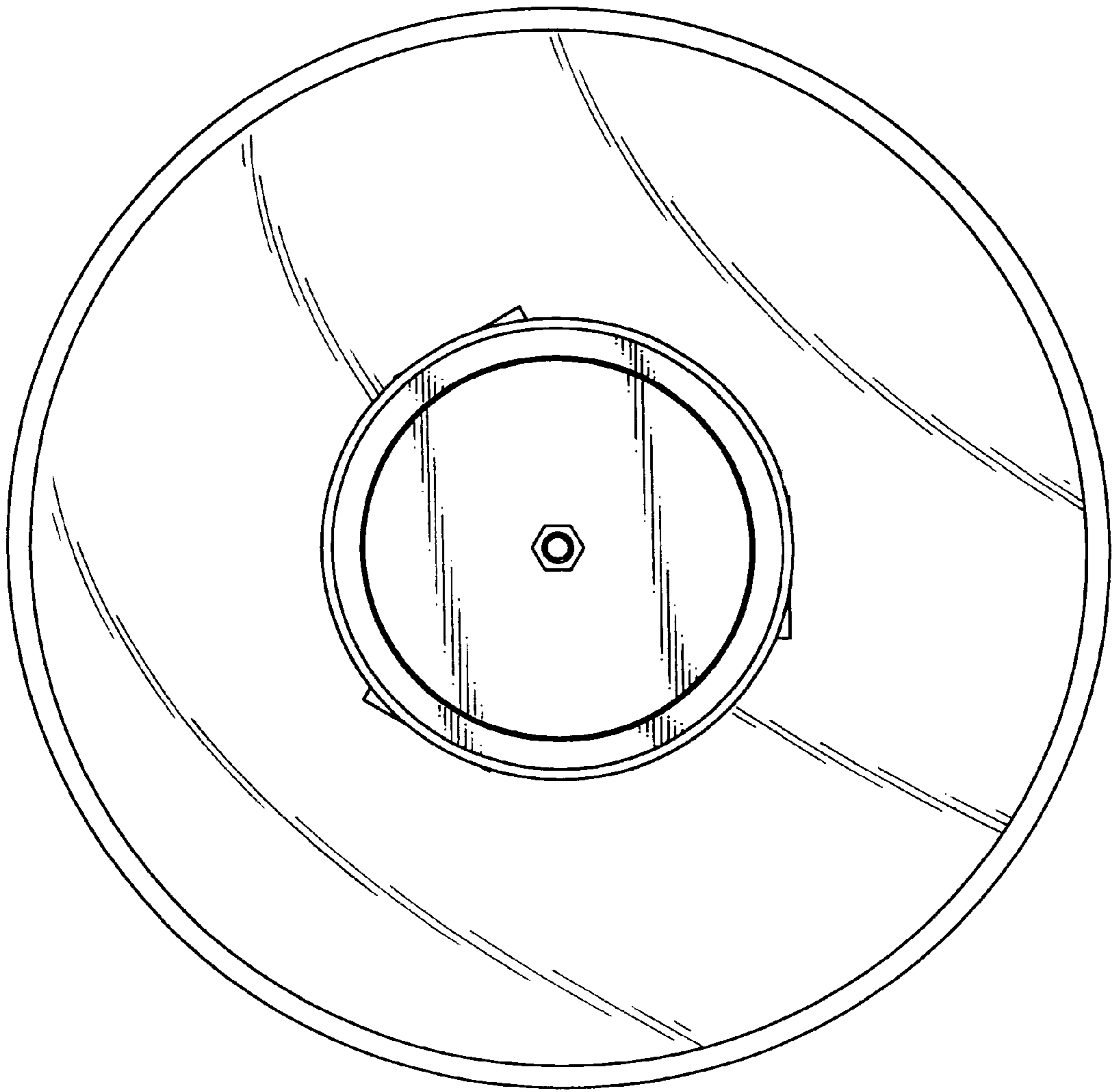


FIG. 4