



US00D437964S

(12) **United States Design Patent**  
**Somerville et al.**

(10) **Patent No.:** **US D437,964 S**

(45) **Date of Patent:** **\*\* Feb. 20, 2001**

(54) **LAMP**

(76) **Inventors:** **Stanley W Somerville; Gwen Kanipe,**  
both of 11403 Mapledale St., Norwalk,  
CA (US) 90650

(\*\*) **Term:** **14 Years**

(21) **Appl. No.:** **29/109,980**

(22) **Filed:** **Aug. 26, 1999**

(51) **LOC (7) Cl.** ..... **26-03**

(52) **U.S. Cl.** ..... **D26/93**

(58) **Field of Search** ..... D23/93-112; 362/410-414

(56) **References Cited**

**U.S. PATENT DOCUMENTS**

2,683,211 \* 7/1954 Molenda ..... 362/410

4,507,716 \* 3/1985 Benedict, Jr. .... 362/410

\* cited by examiner

*Primary Examiner*—Lisa Lichtenstein

(57) **CLAIM**

The ornamental design for a lamp, as shown.

**DESCRIPTION**

FIG. 1 is a front elevational view of the lamp of the present invention;

FIG. 2 is a rear elevational view of the lamp of FIG. 1;

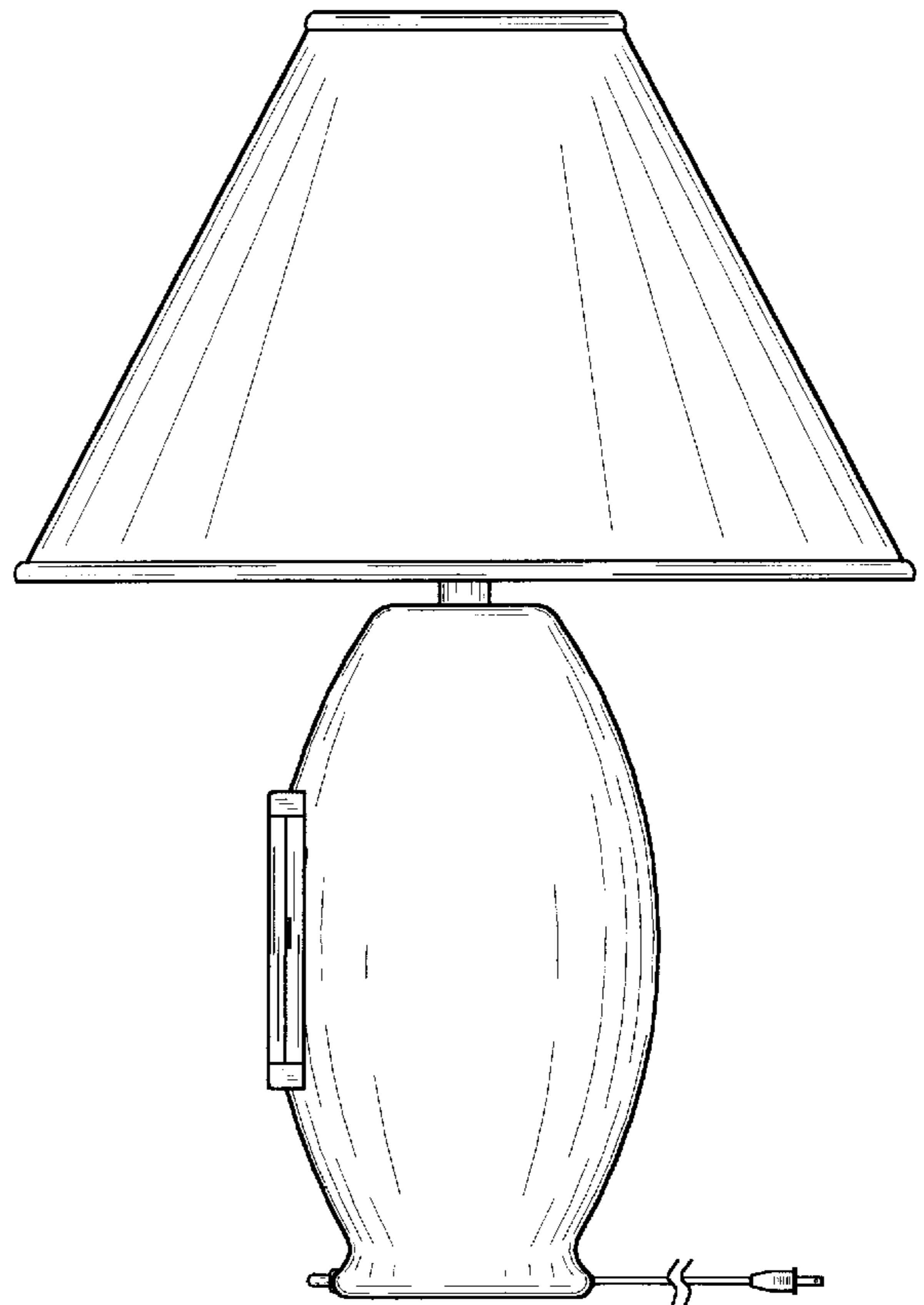
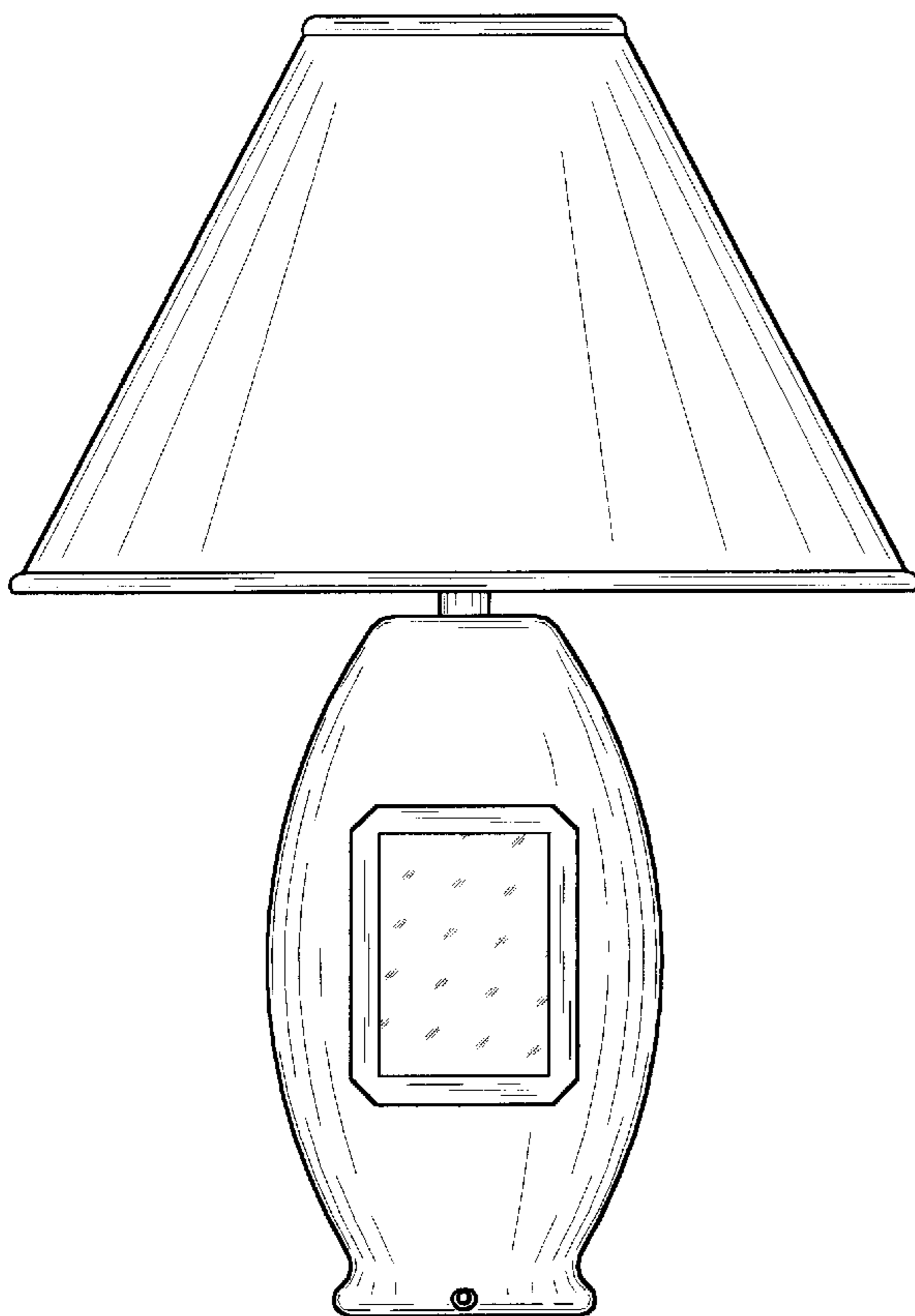
FIG. 3 is a left side elevational view of the lamp of FIG. 1;

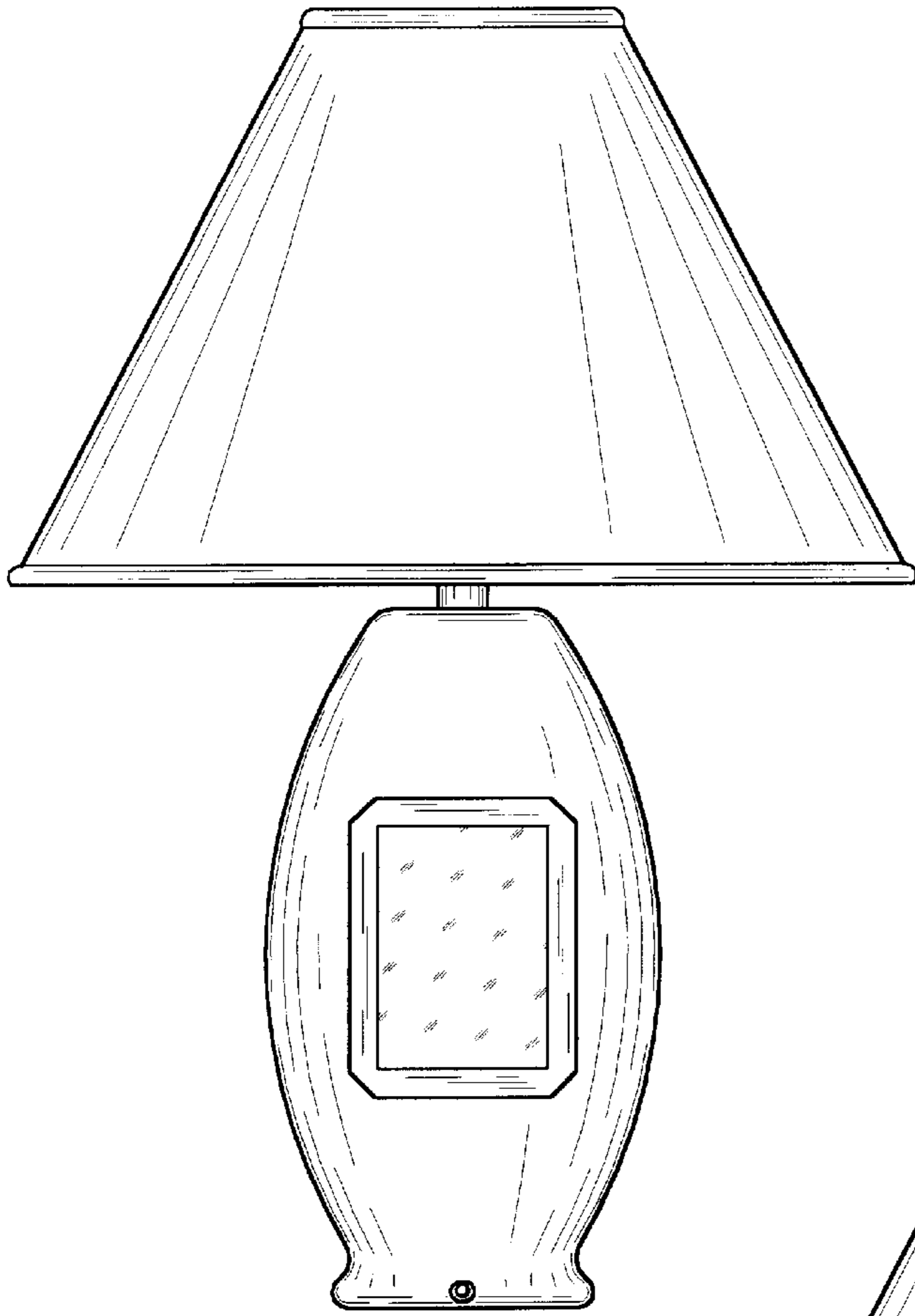
FIG. 4 is a right side elevational view of the lamp of FIG. 1;

FIG. 5 is a top plan view of the lamp of FIG. 1; and,

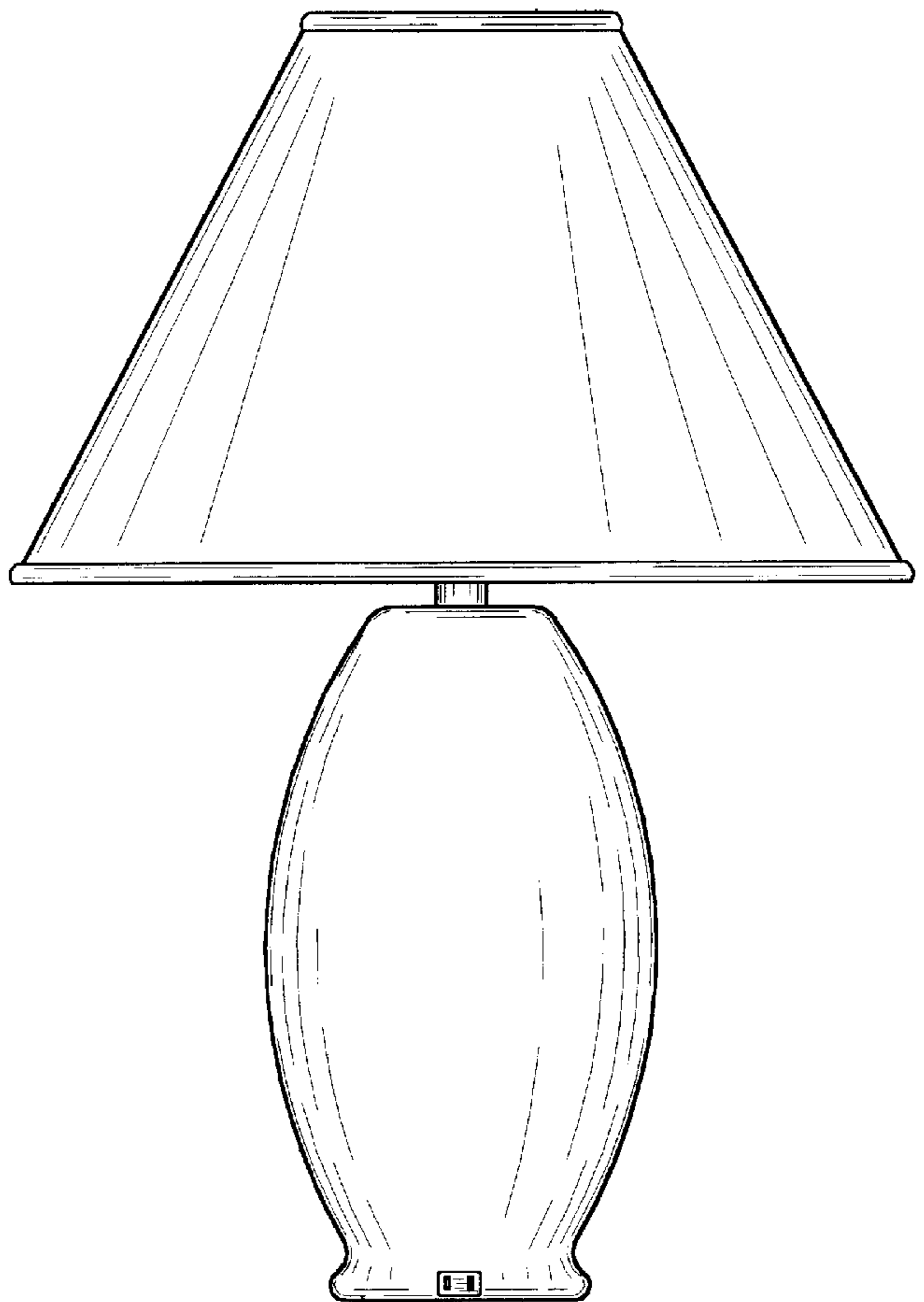
FIG. 6 is a bottom plan view of the lamp of FIG. 1.

**1 Claim, 3 Drawing Sheets**

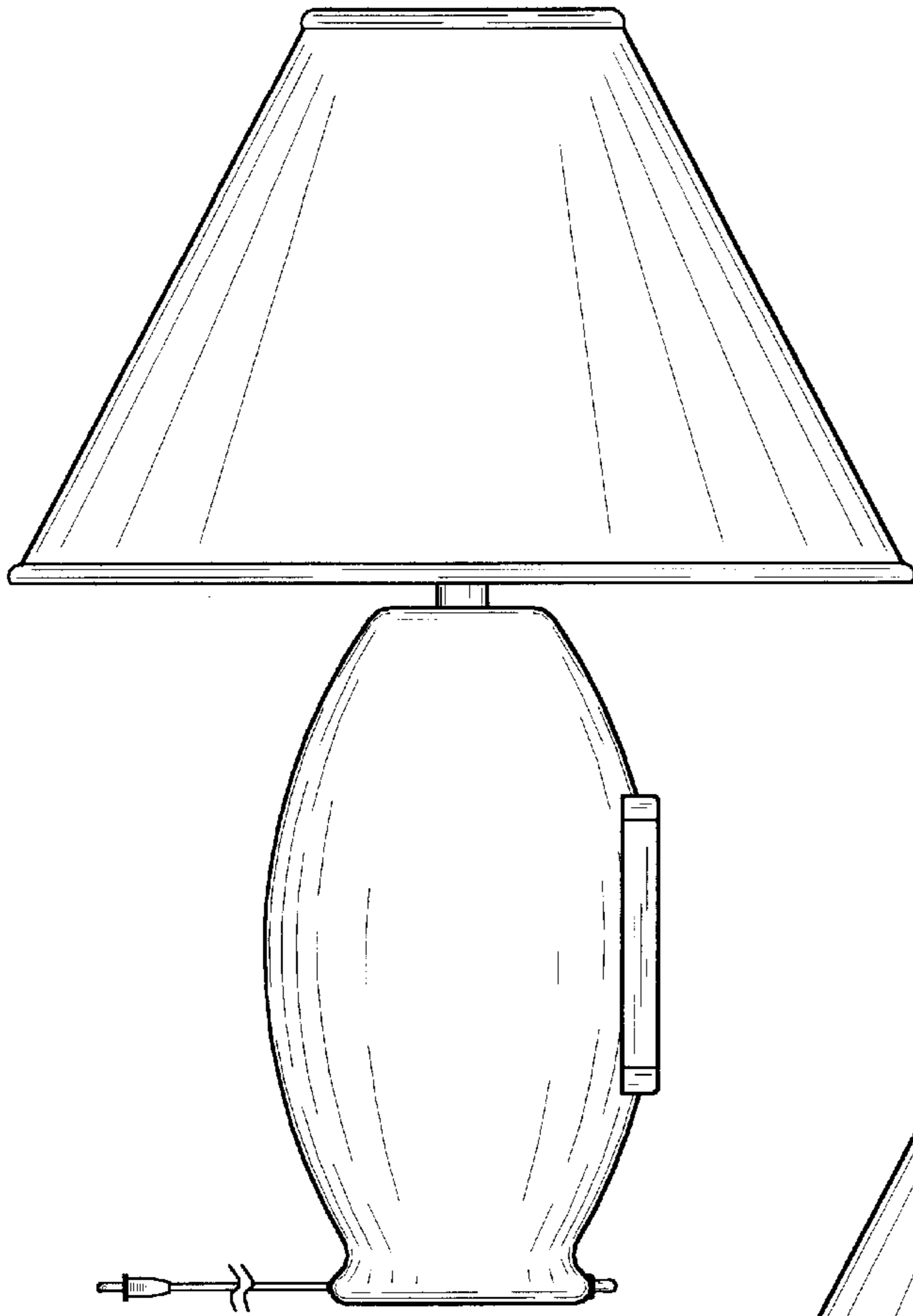




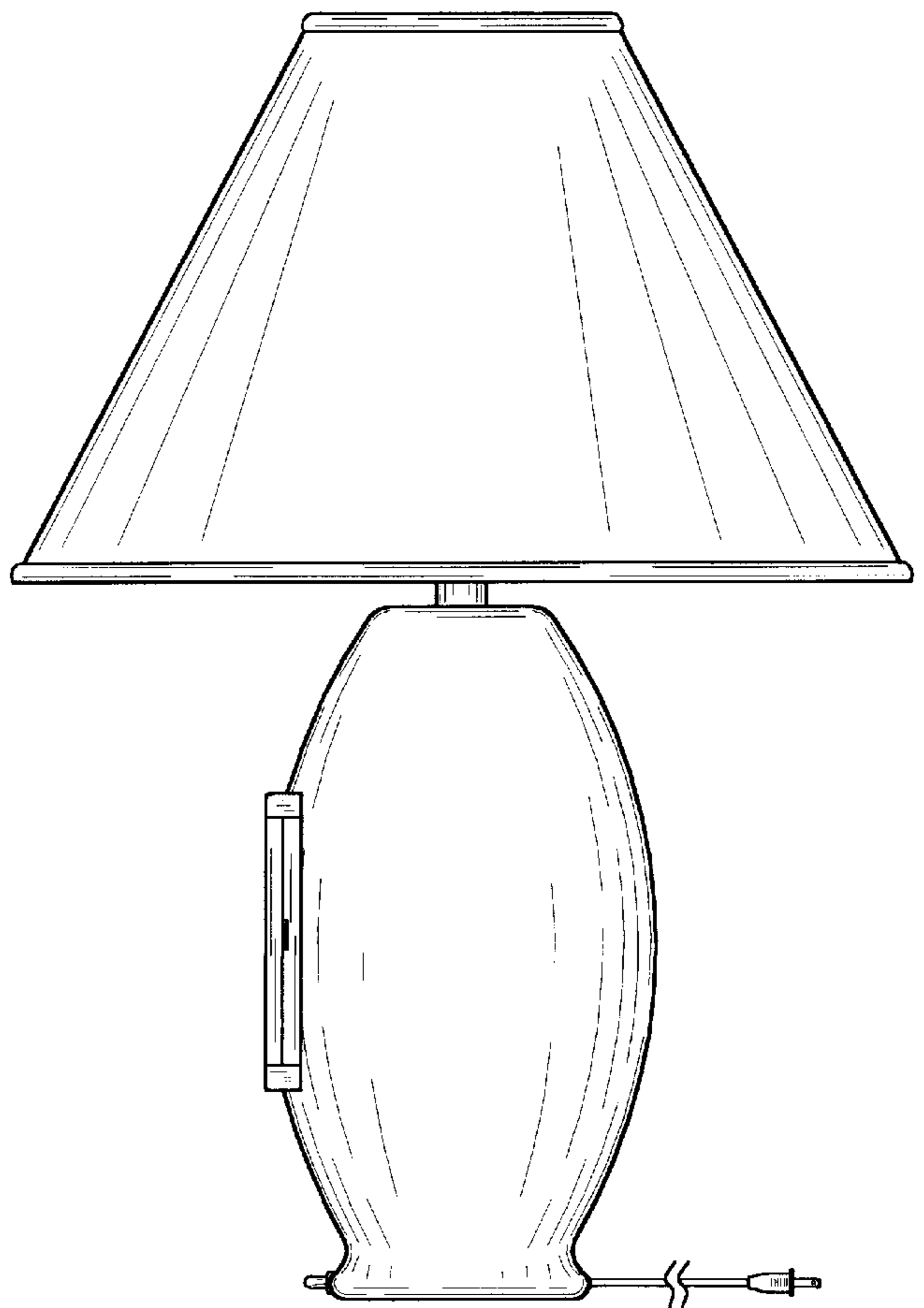
*Fig. 1*



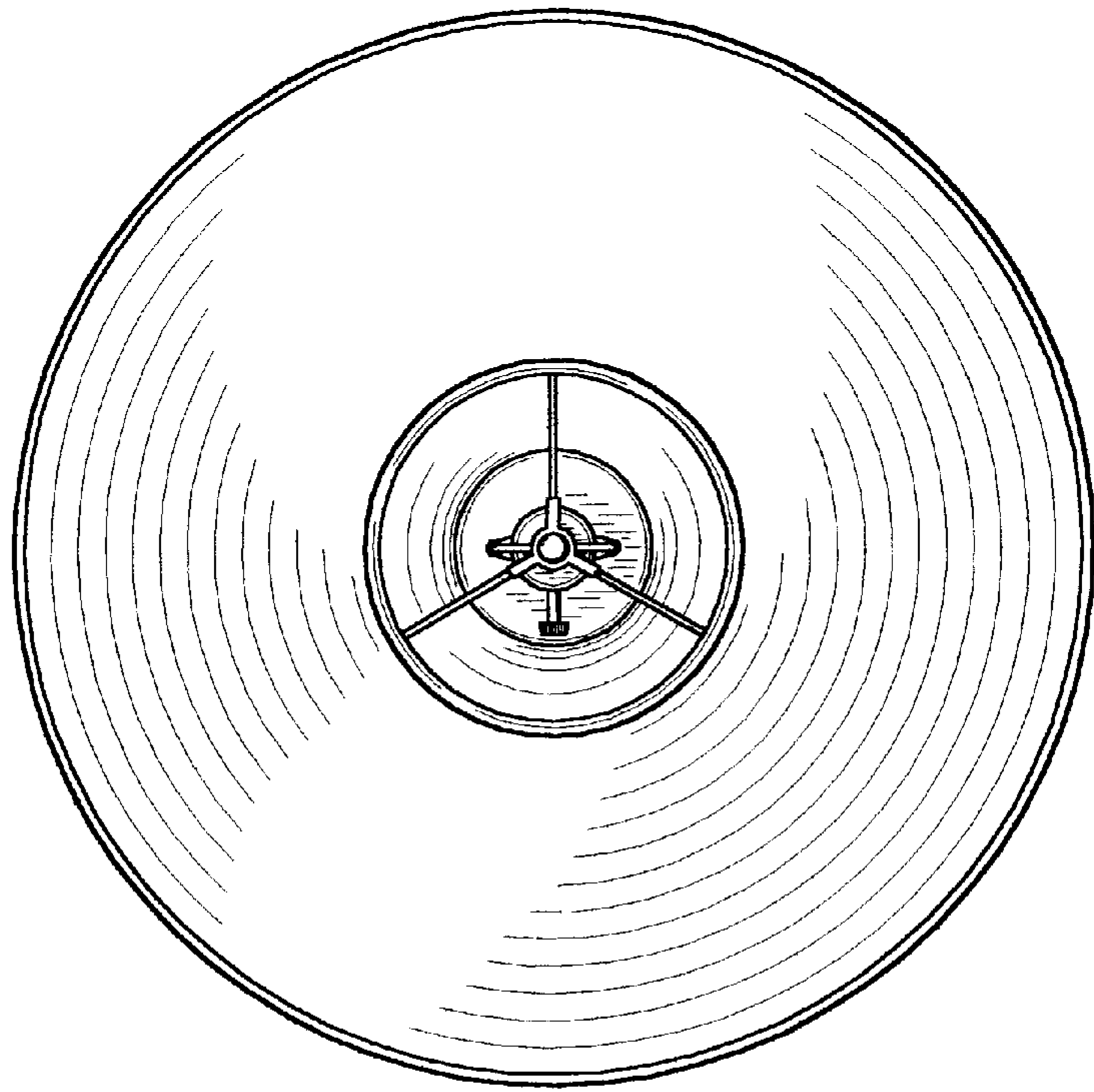
*Fig. 2*



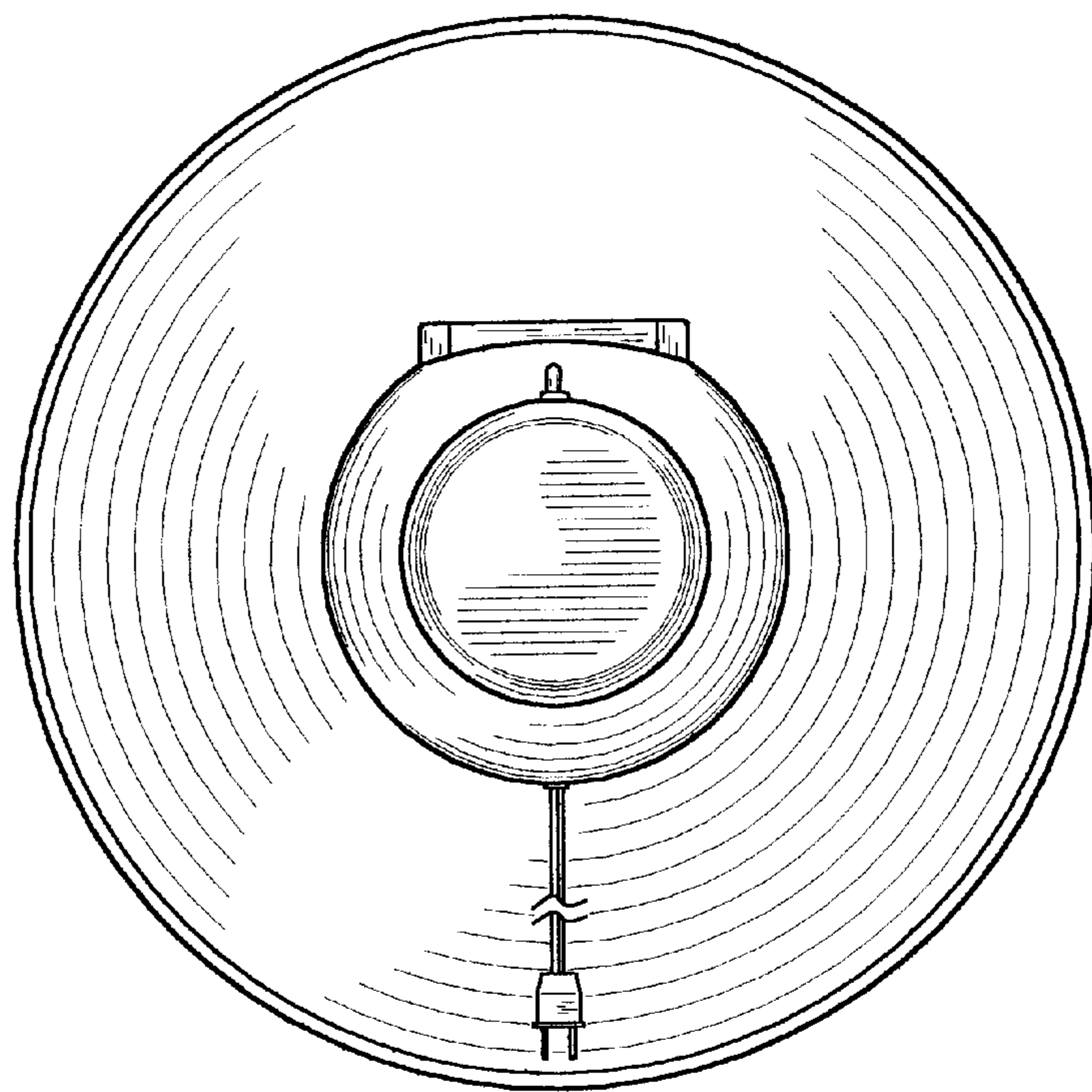
*Fig. 3*



*Fig. 4*



*Fig. 5*



*Fig. 6*