



US00D437958S

(12) **United States Design Patent**  
**Doron, Jr. et al.**

(10) **Patent No.:** **US D437,958 S**

(45) **Date of Patent:** **\*\* Feb. 20, 2001**

(54) **LIGHT FIXTURE**

(75) Inventors: **William H. Doron, Jr.**, Hanover; **Eric O. M. Haddad**, East Berlin, both of PA (US)

(73) Assignee: **Genlyte Thomas Group LLC**, Louisville, KY (US)

(\*\*) Term: **14 Years**

(21) Appl. No.: **29/101,326**

(22) Filed: **Mar. 1, 1999**

(51) **LOC (7) Cl.** ..... **26-05**

(52) **U.S. Cl.** ..... **D26/71; D26/87**

(58) **Field of Search** ..... **D26/87, 92, 67, D26/68, 71, 70; 362/432, 431**

(56) **References Cited**

**U.S. PATENT DOCUMENTS**

D. 202,212 \* 9/1965 Izzi ..... D26/71

D. 323,897 \* 2/1992 Compton ..... D26/71  
D. 348,531 \* 7/1994 Mehaffey ..... D26/71  
D. 358,902 \* 5/1995 Webster, III ..... D26/87

\* cited by examiner

*Primary Examiner*—Susan J. Lucas

(74) *Attorney, Agent, or Firm*—Middleton Reutlinger; James R. Higgins, Jr.

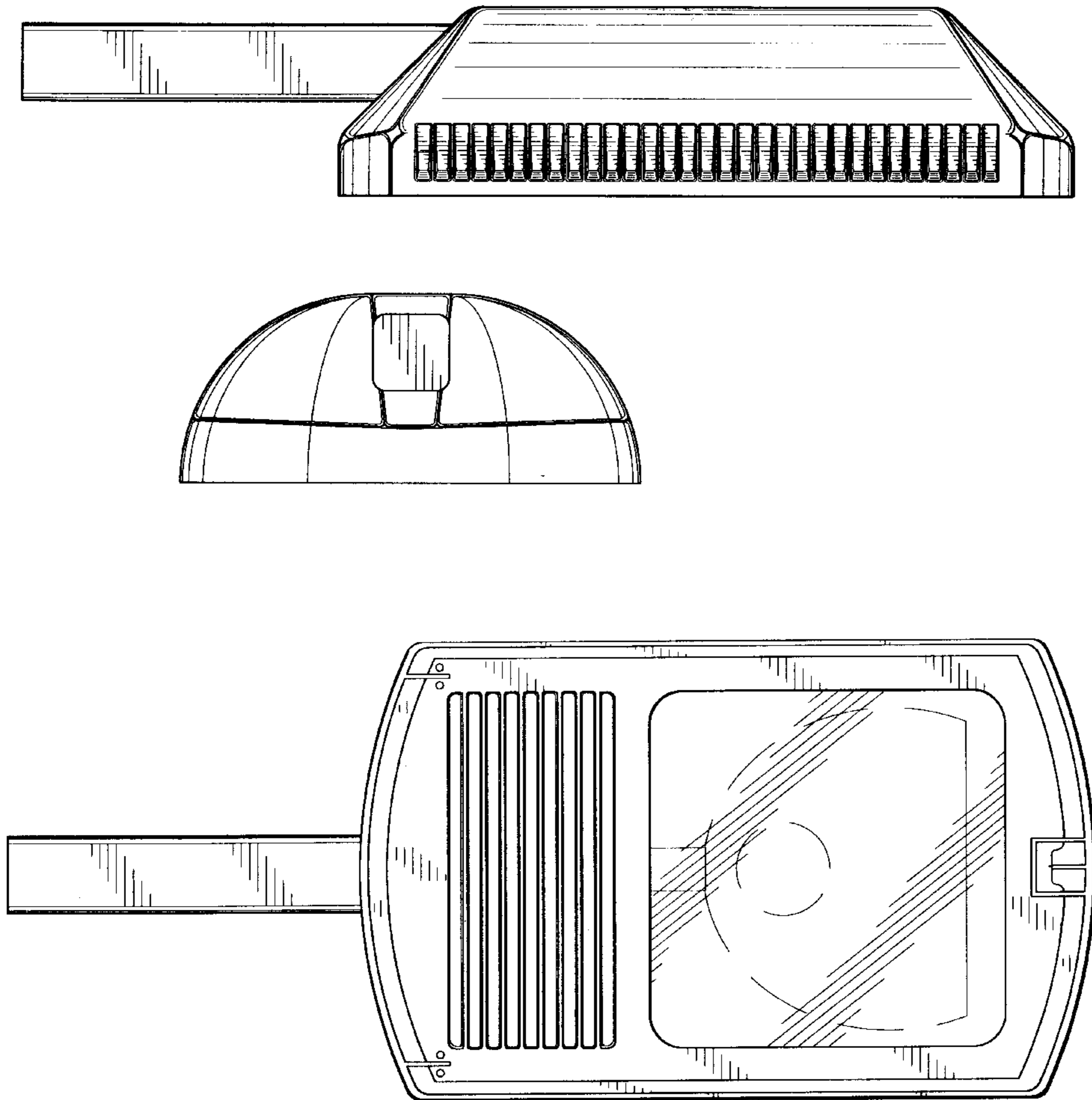
(57) **CLAIM**

The ornamental design for a light fixture, as shown and described herein.

**DESCRIPTION**

FIG. 1 is a side view of a light fixture according to a preferred embodiment of the present invention; FIG. 2 is a rear view of the light fixture of FIG. 1; FIG. 3 is a front view of the light fixture of FIG. 1; FIG. 4 is a top view of the light fixture of FIG. 1; and, FIG. 5 is a bottom view of the light fixture of FIG. 1.

**1 Claim, 3 Drawing Sheets**



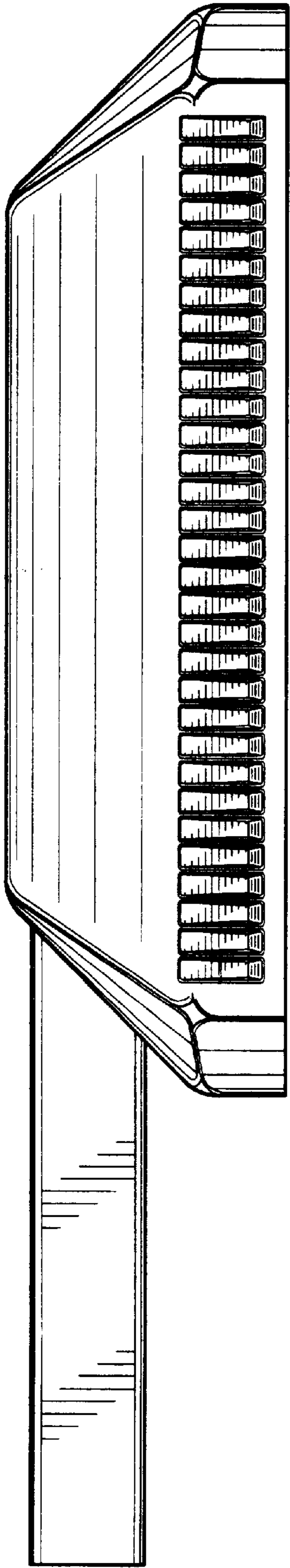


FIG. 1

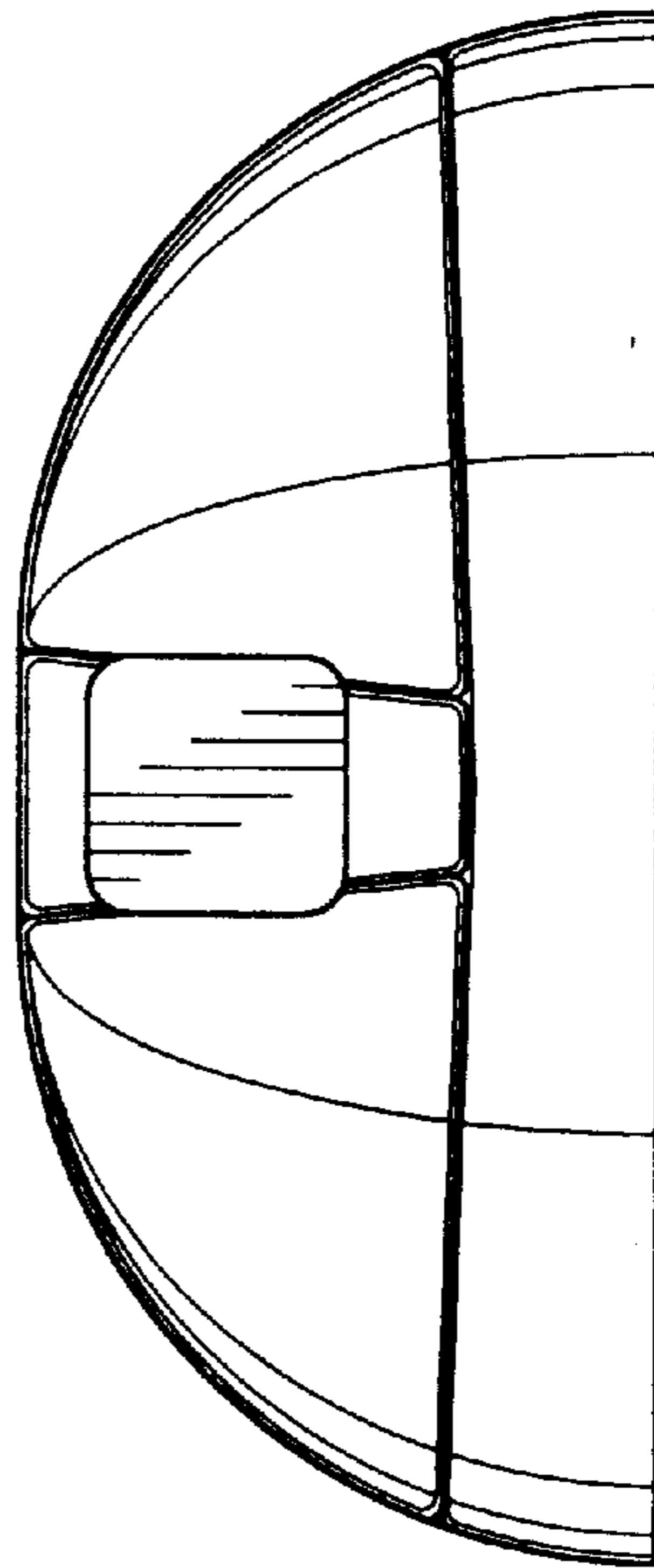


FIG. 2

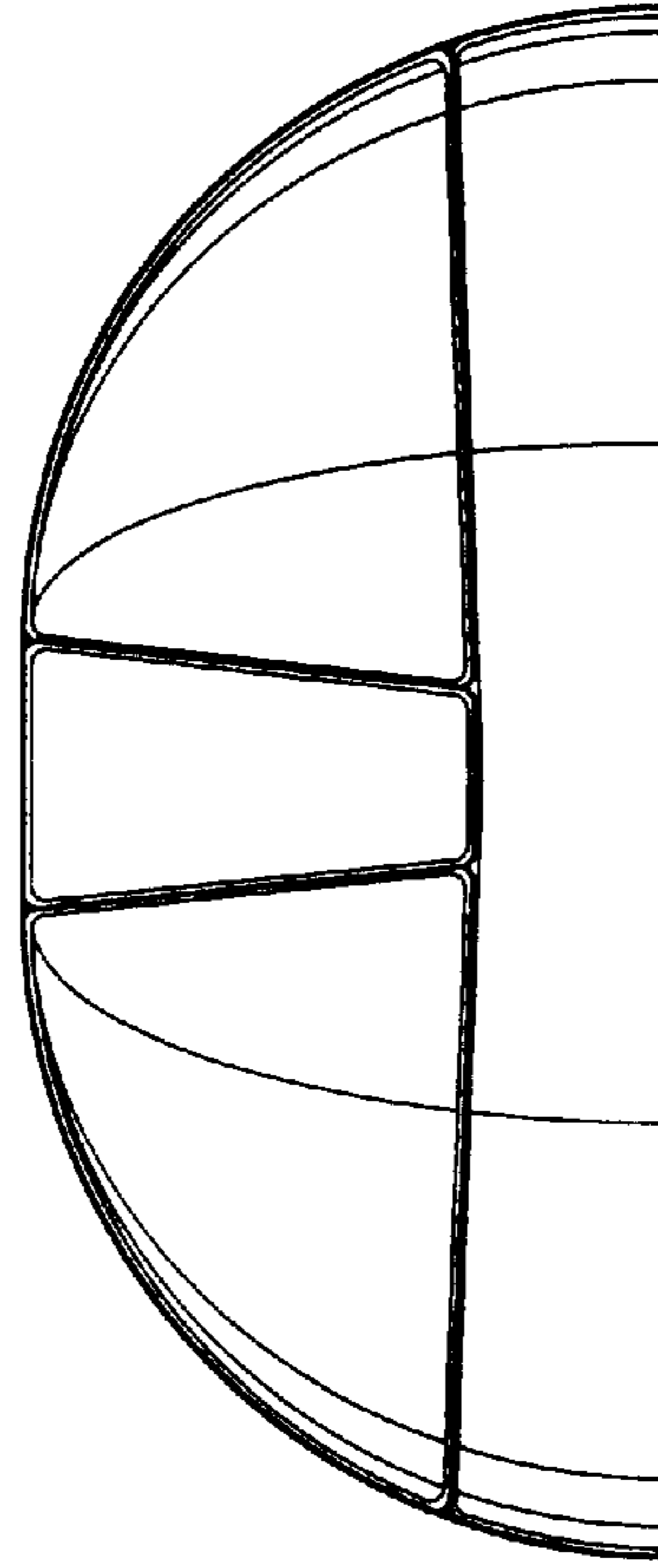


FIG. 3

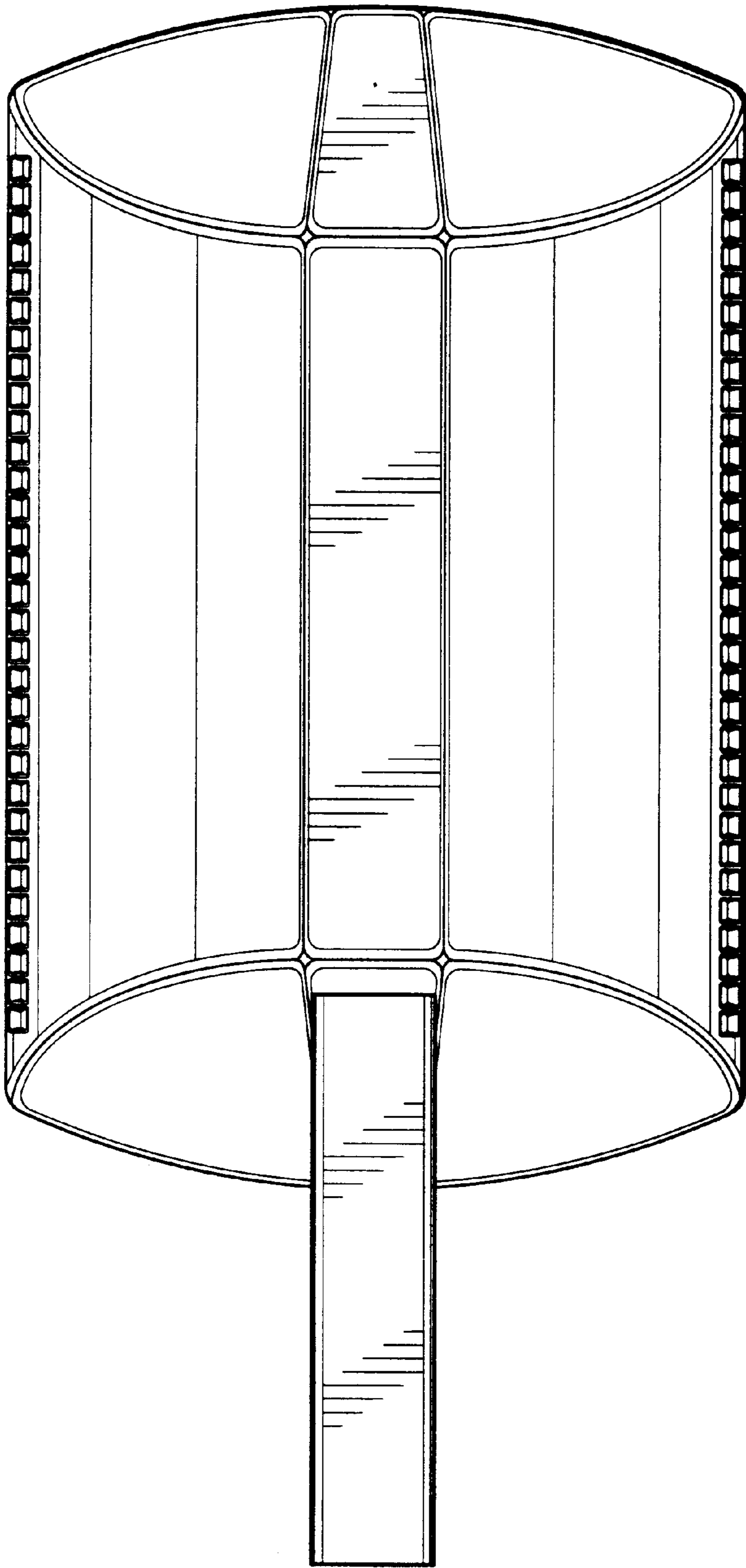


FIG. 4

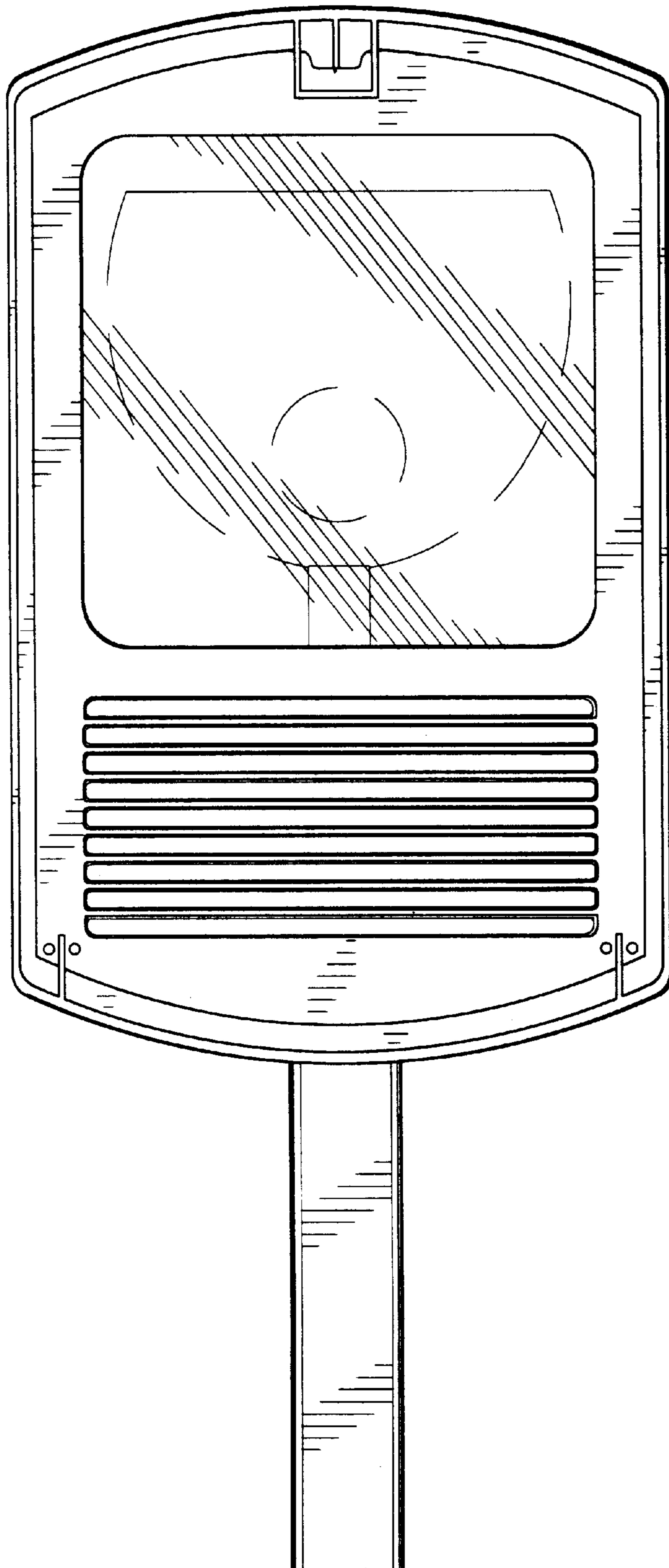


FIG. 5