



US00D437957S

(12) **United States Design Patent**
Borders et al.

(10) **Patent No.:** **US D437,957 S**

(45) **Date of Patent:** **** Feb. 20, 2001**

(54) **SURGICAL LIGHT APPARATUS**

(75) Inventors: **Richard L. Borders**, Cincinnati, OH (US); **Dennis C. Coon**, Erie, PA (US)

(73) Assignee: **Hill-Rom, Inc.**, Batesville, IN (US)

(**) Term: **14 Years**

(21) Appl. No.: **29/085,726**

(22) Filed: **Mar. 30, 1998**

(51) **LOC (7) Cl.** **26-05**

(52) **U.S. Cl.** **D26/65**

(58) **Field of Search** D26/60-66; 362/804, 362/413, 418, 419, 427, 269, 271, 274, 275, 277, 282, 283, 285, 287

(56) **References Cited**

U.S. PATENT DOCUMENTS

D. 214,188	*	5/1969	Lauterbach	D26/60
D. 297,056	*	8/1988	Sesiak	D26/65
3,240,925	*	3/1966	Paschke et al.	362/418
3,927,313	*	12/1975	Herold	362/804
4,032,771		6/1977	Ilzig	.	
4,037,096		7/1977	Brendgord et al.	.	
4,280,167		7/1981	Ellett	.	
4,288,844		9/1981	Fisher et al.	.	
4,395,750		7/1983	Scheidemann et al.	.	
4,517,632	*	5/1985	Roos	362/804
4,538,214	*	8/1985	Fisher et al.	362/804
4,844,252		7/1989	Barron et al.	.	
4,878,156		10/1989	Hallings et al.	.	
4,974,288		12/1990	Reasner	.	
5,001,616		3/1991	Gehly et al.	.	
5,025,359		6/1991	Saluja et al.	.	

(List continued on next page.)

OTHER PUBLICATIONS

Berchtold Corporation, "Chromophare® C-571 Superior lighting technology is the secret of our success", Feb. 1995, 8 pages.

Berchtold Corporation, Chromophare® C-570 Service Manual, date unknown, 20 pages.

Primary Examiner—Susan J. Lucas

(74) *Attorney, Agent, or Firm*—Barnes & Thornburg

(57) **CLAIM**

The ornamental design for a surgical light apparatus, as shown and described.

DESCRIPTION

FIG. 1 is a perspective view of a surgical light apparatus showing a first embodiment of our new design in a first articulated position;

FIG. 2 is a side elevational view of the first embodiment of our new design in a second articulated position;

FIG. 3 is a rear elevational view thereof;

FIG. 4 is a front elevational view thereof;

FIG. 5 is a top plan view thereof;

FIG. 6 is a bottom plan view thereof;

FIG. 7 is a perspective view of a surgical light apparatus showing a second embodiment of our new design in a first articulated position;

FIG. 8 is a side elevational view of the second embodiment of our new design in a second articulated position;

FIG. 9 is a rear elevational view thereof;

FIG. 10 is a front elevational view thereof;

FIG. 11 is a top plan view thereof;

FIG. 12 is a bottom plan view thereof;

FIG. 13 is a perspective view of a surgical light apparatus showing a third embodiment of our new design in a first articulated position;

FIG. 14 is a first side elevational view of the third embodiment of our new design in a second articulated position;

FIG. 15 is a second side elevational view thereof;

FIG. 16 is a rear elevational view thereof;

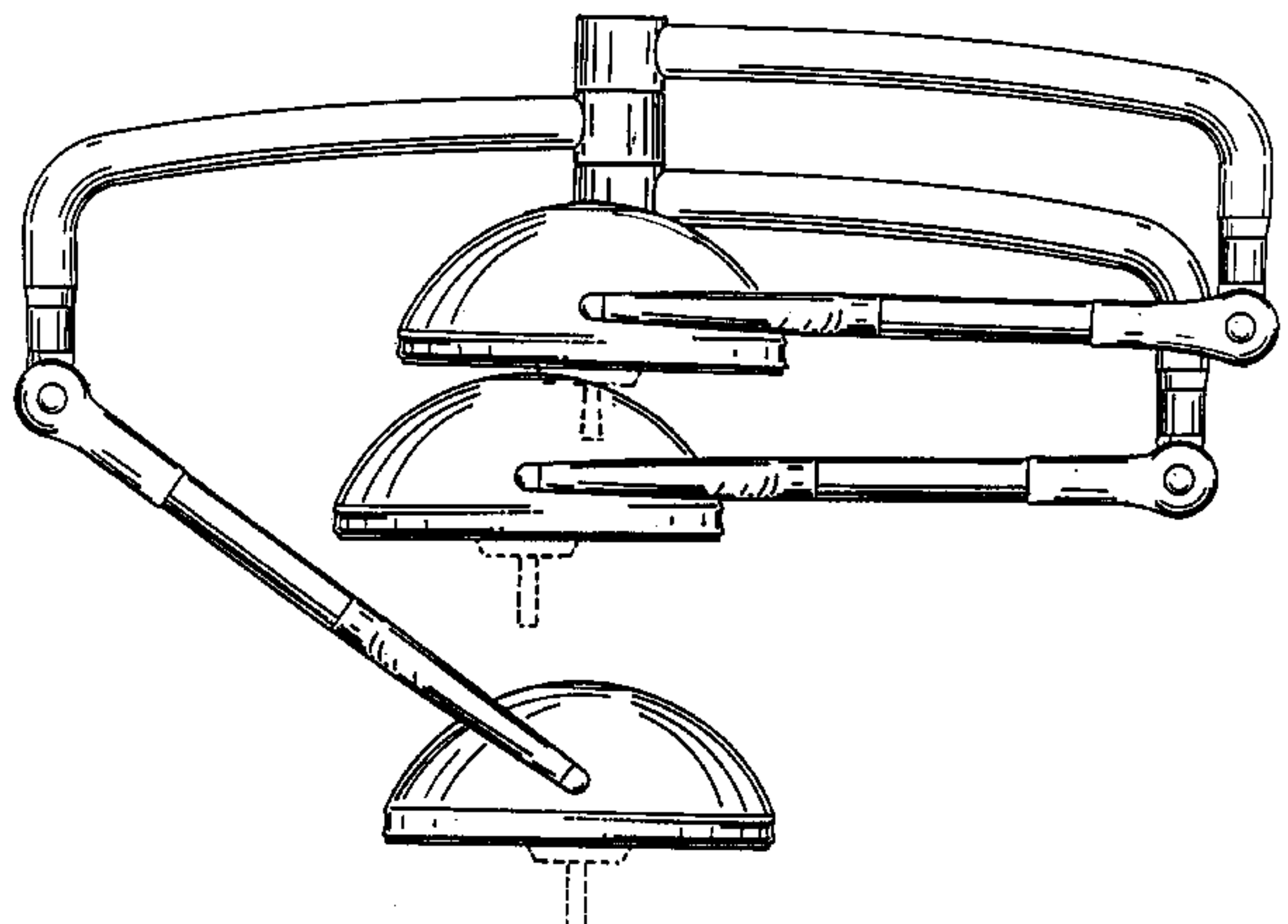
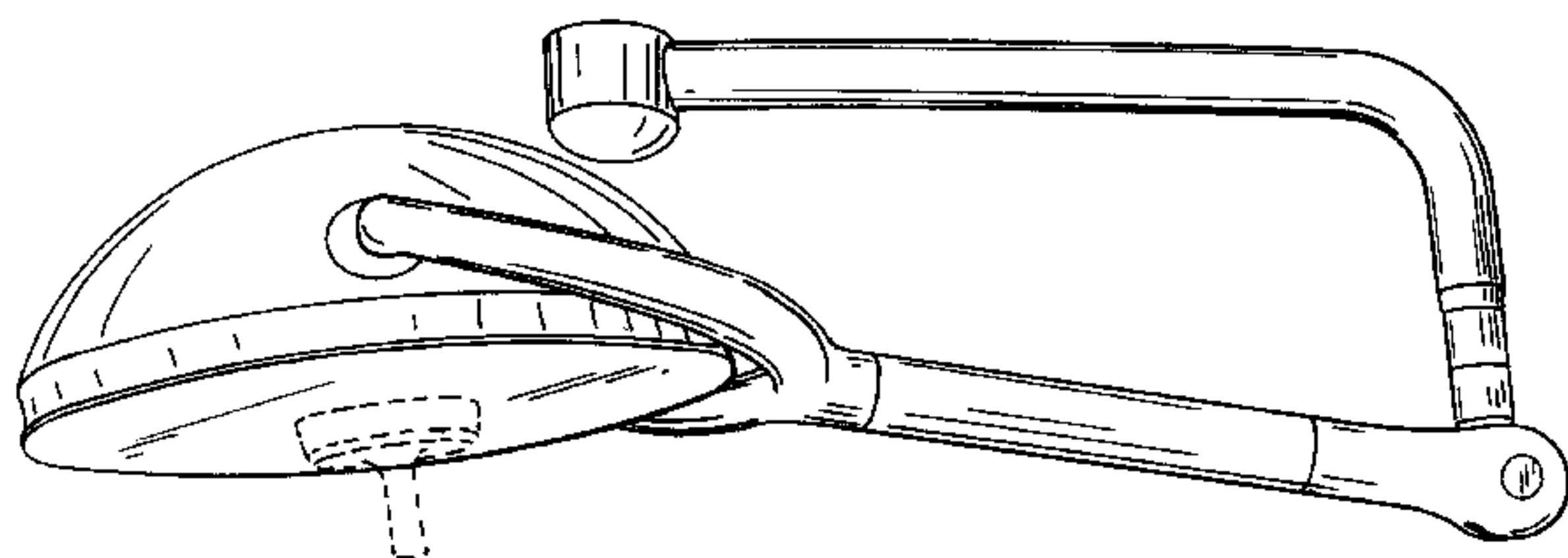
FIG. 17 is a front elevational view thereof;

FIG. 18 is a top plan view thereof; and,

FIG. 19 is a bottom plan view thereof.

The broken lines in FIGS. 1-4, 6-10, 12-17, and 19 are for illustrative purposes only and form no part of the claimed design.

1 Claim, 9 Drawing Sheets



US D437,957 S

Page 2

U.S. PATENT DOCUMENTS					
			5,188,454	2/1993	Quintanilla et al. .
			5,355,292	10/1994	Hoftman et al. .
5,036,446	7/1991	Quintanilla et al. .	5,599,093	2/1997	Hoftman et al. .
5,038,261	8/1991	Kloos .	5,604,955	2/1997	Horan .
5,065,296	11/1991	Cude .	6,012,821 *	1/2000	Yeaney et al. 362/804
5,156,456	10/1992	Hoftman et al. .			
5,165,786 *	11/1992	Hubert 362/418			* cited by examiner

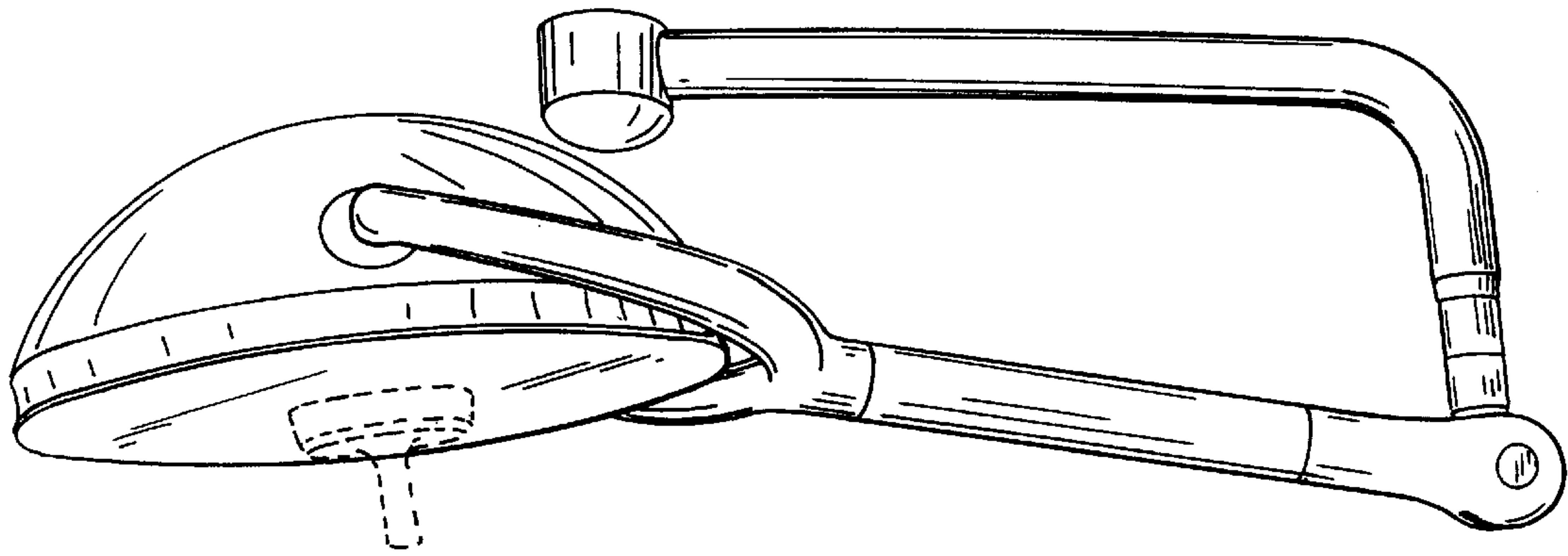


FIG. 1

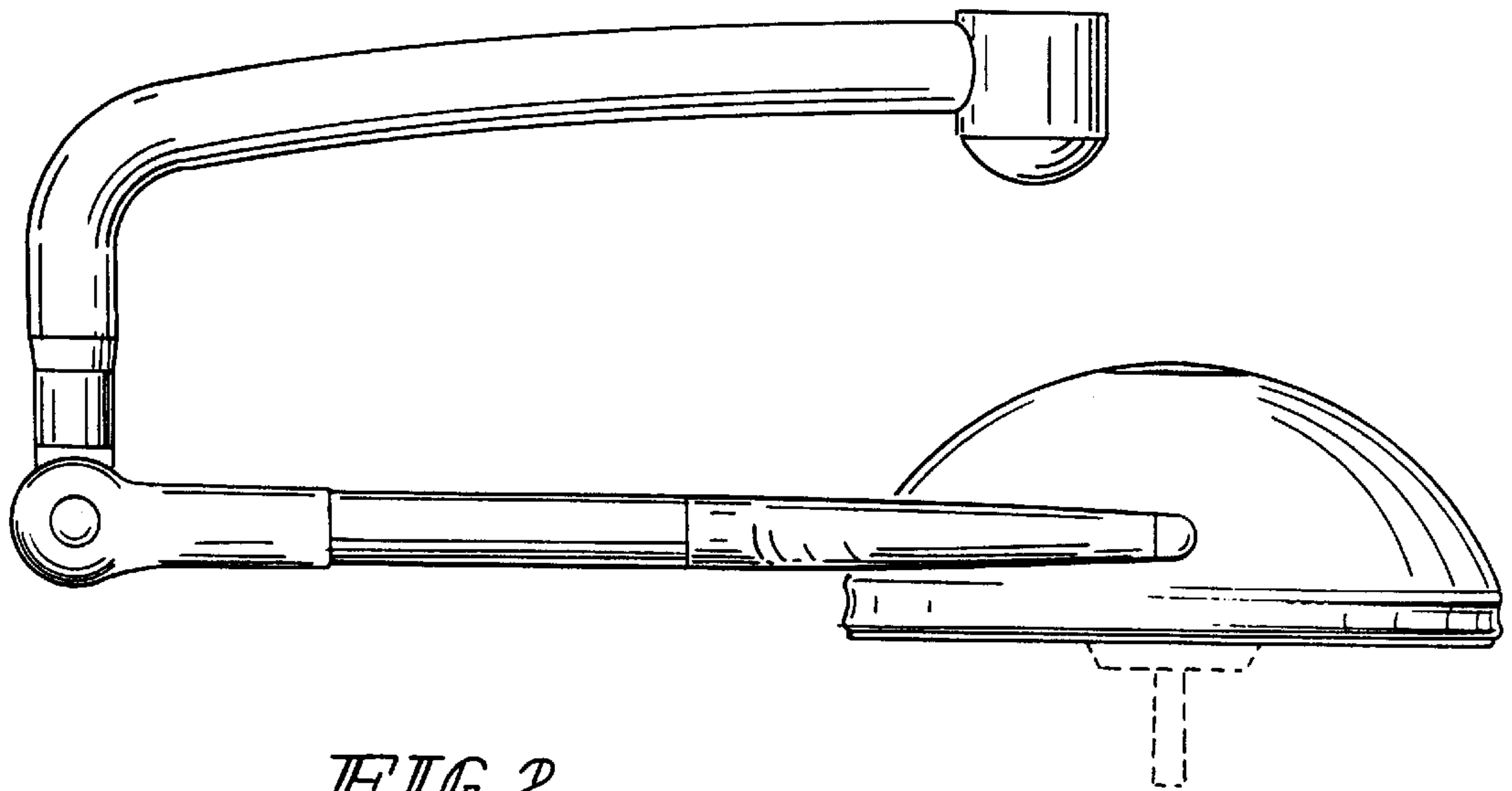


FIG. 2

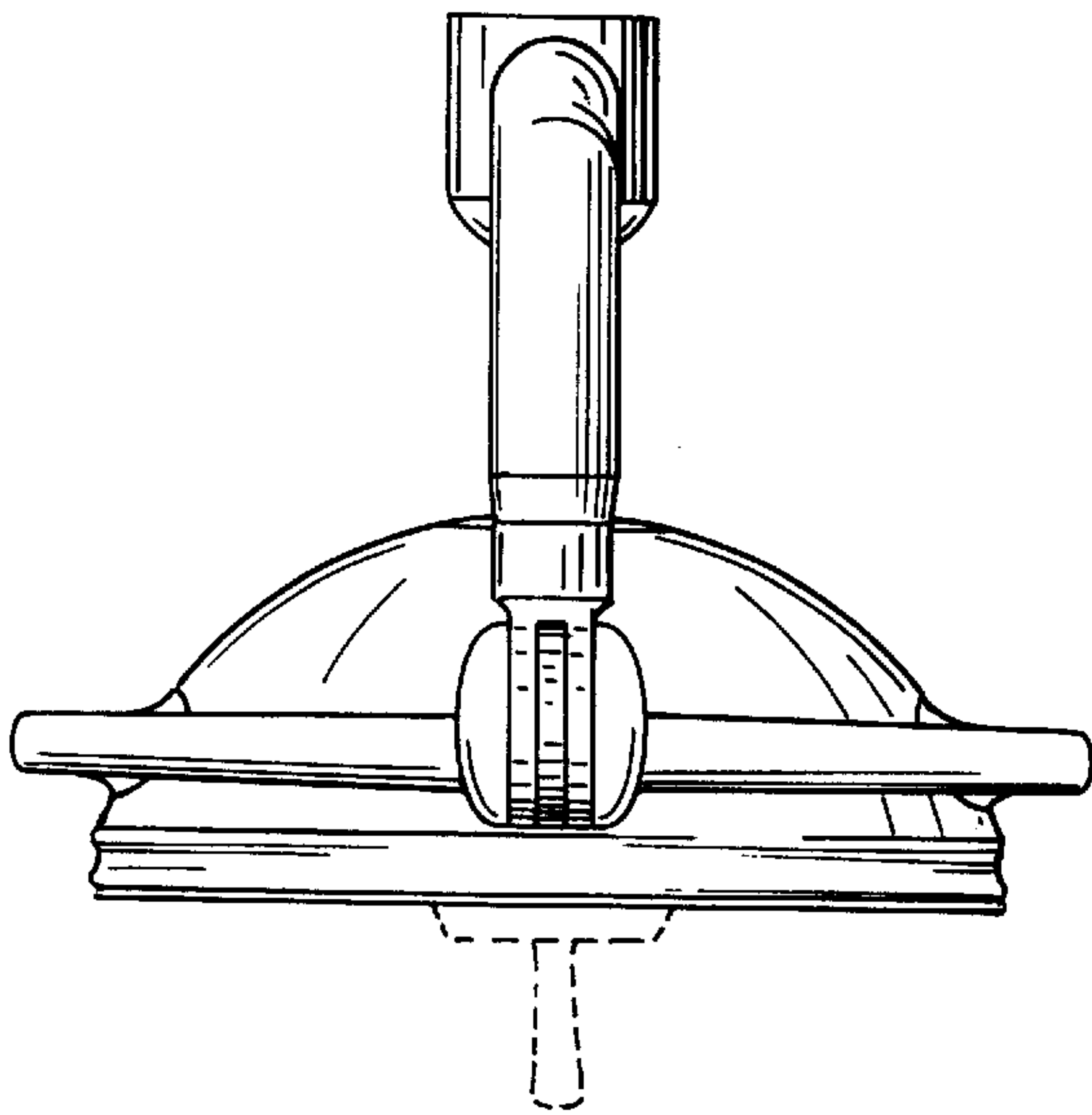


FIG. 3

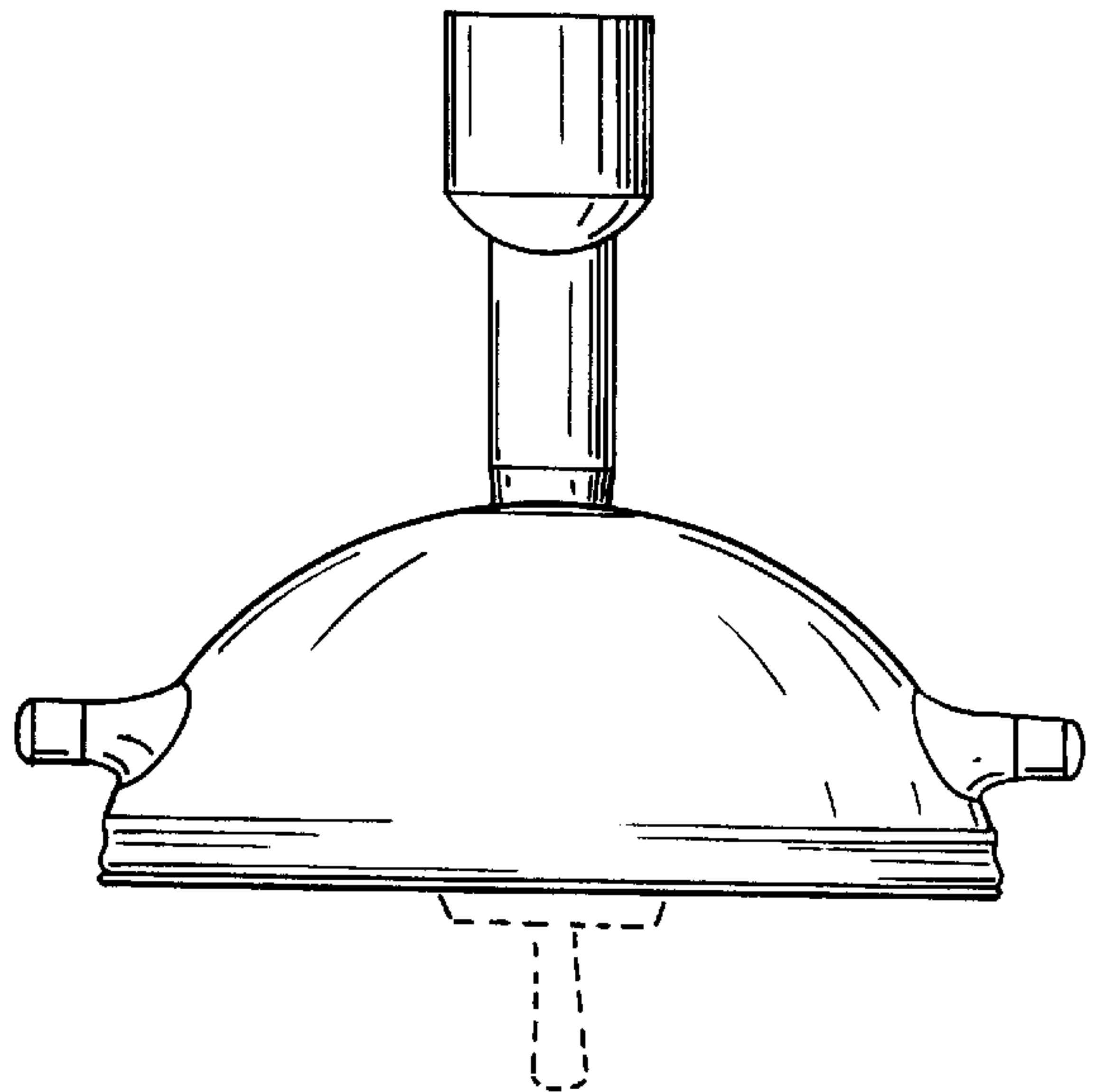


FIG. 4

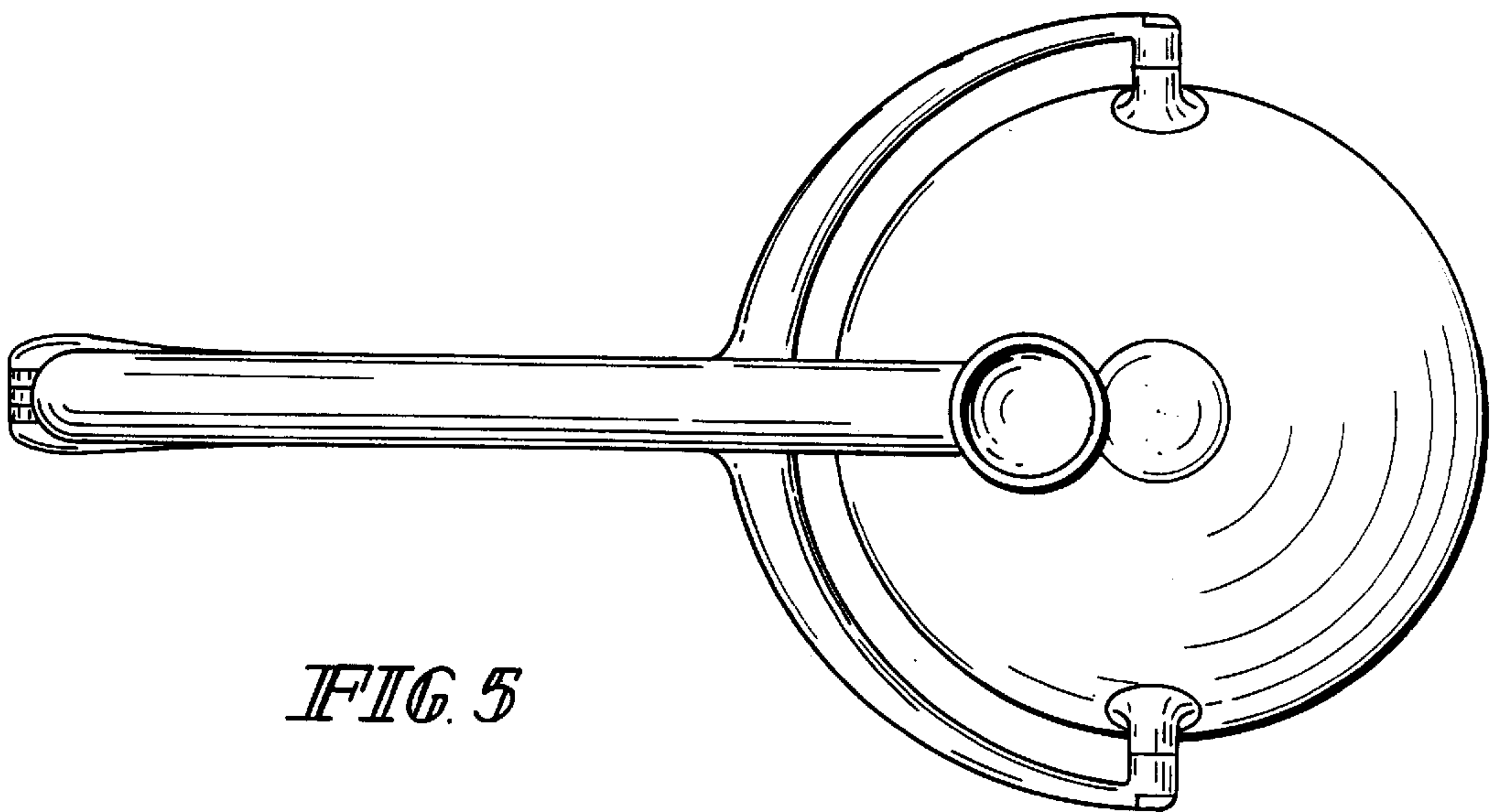


FIG. 5

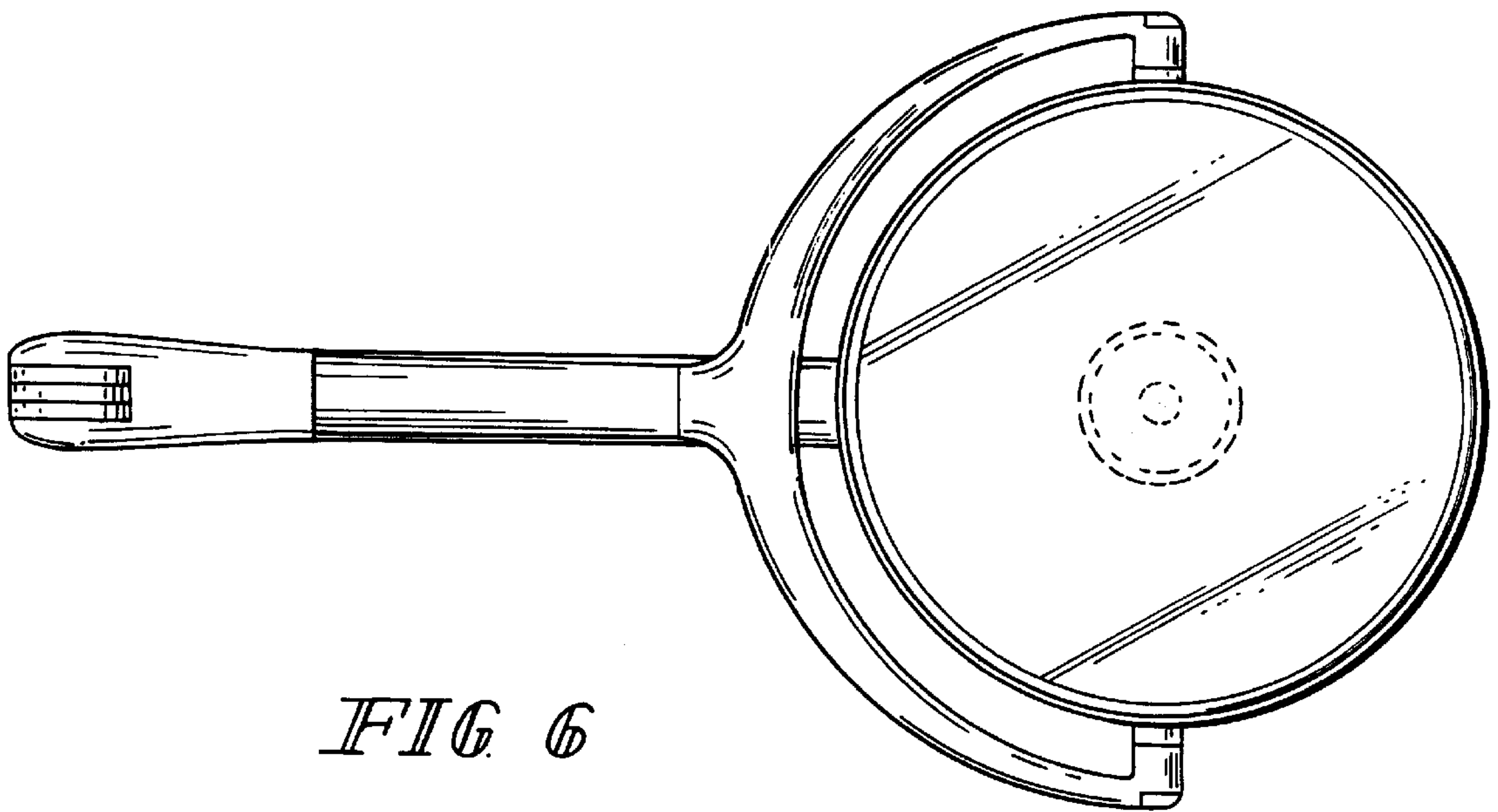


FIG 6

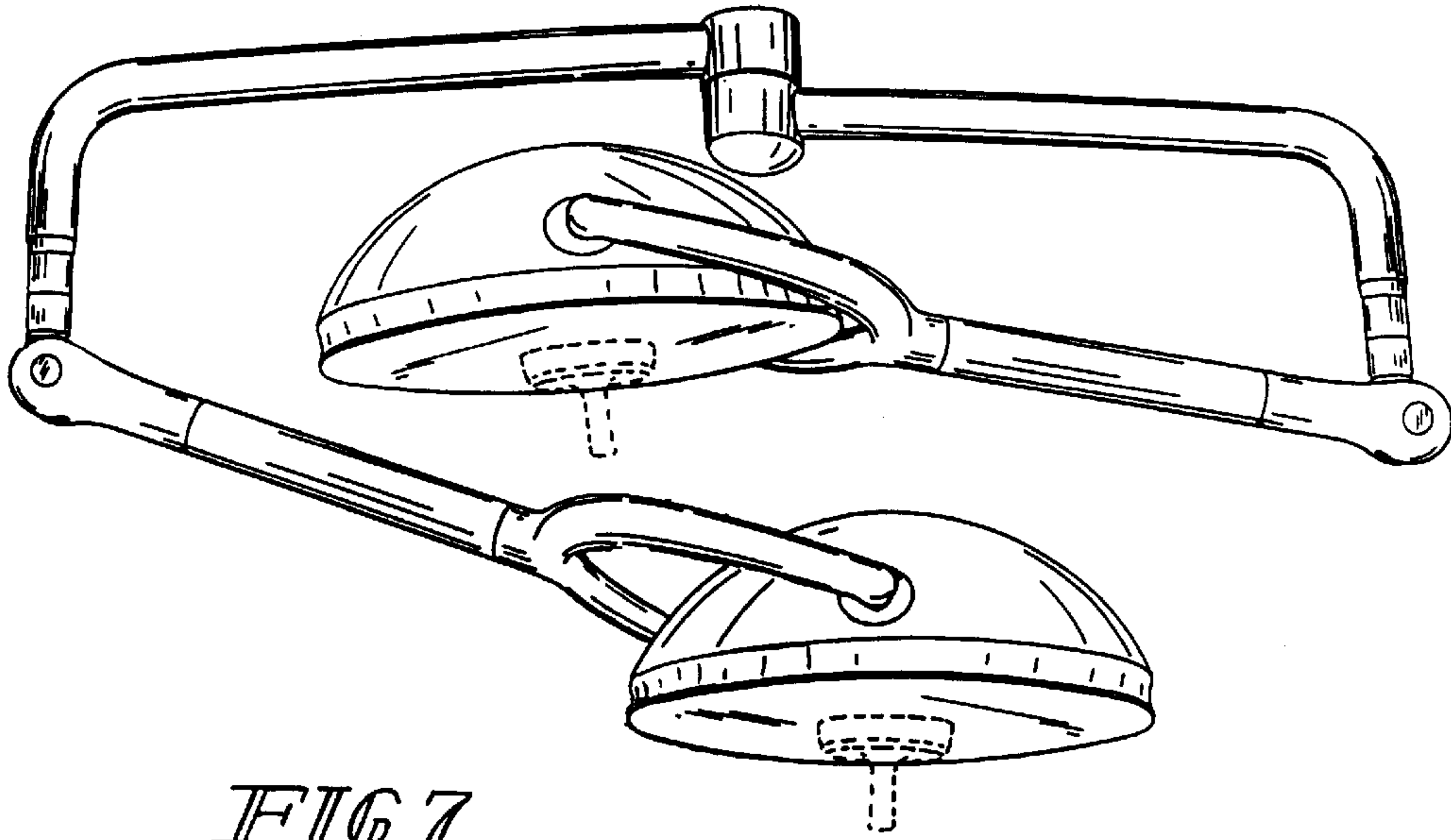


FIG. 7

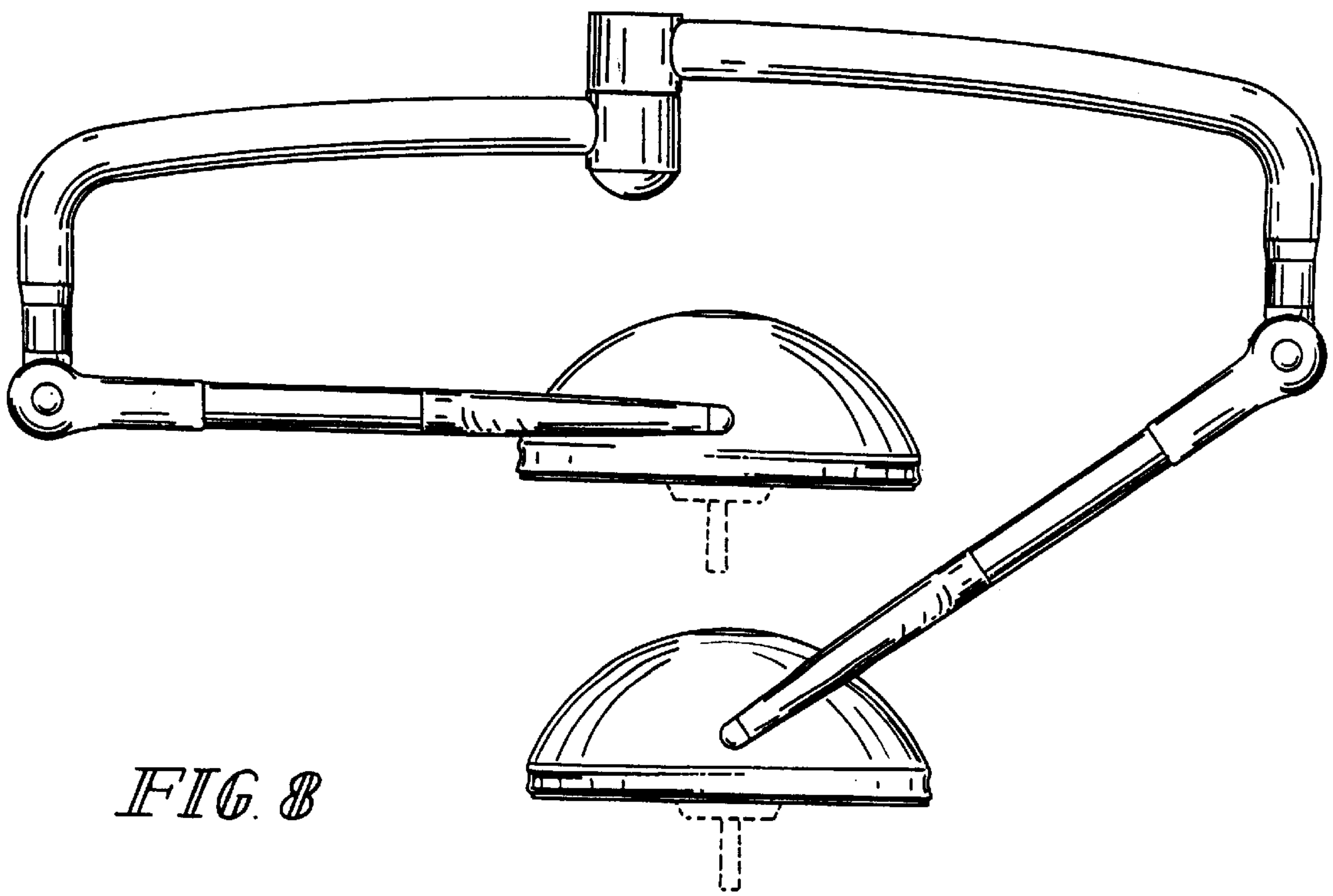


FIG. 8

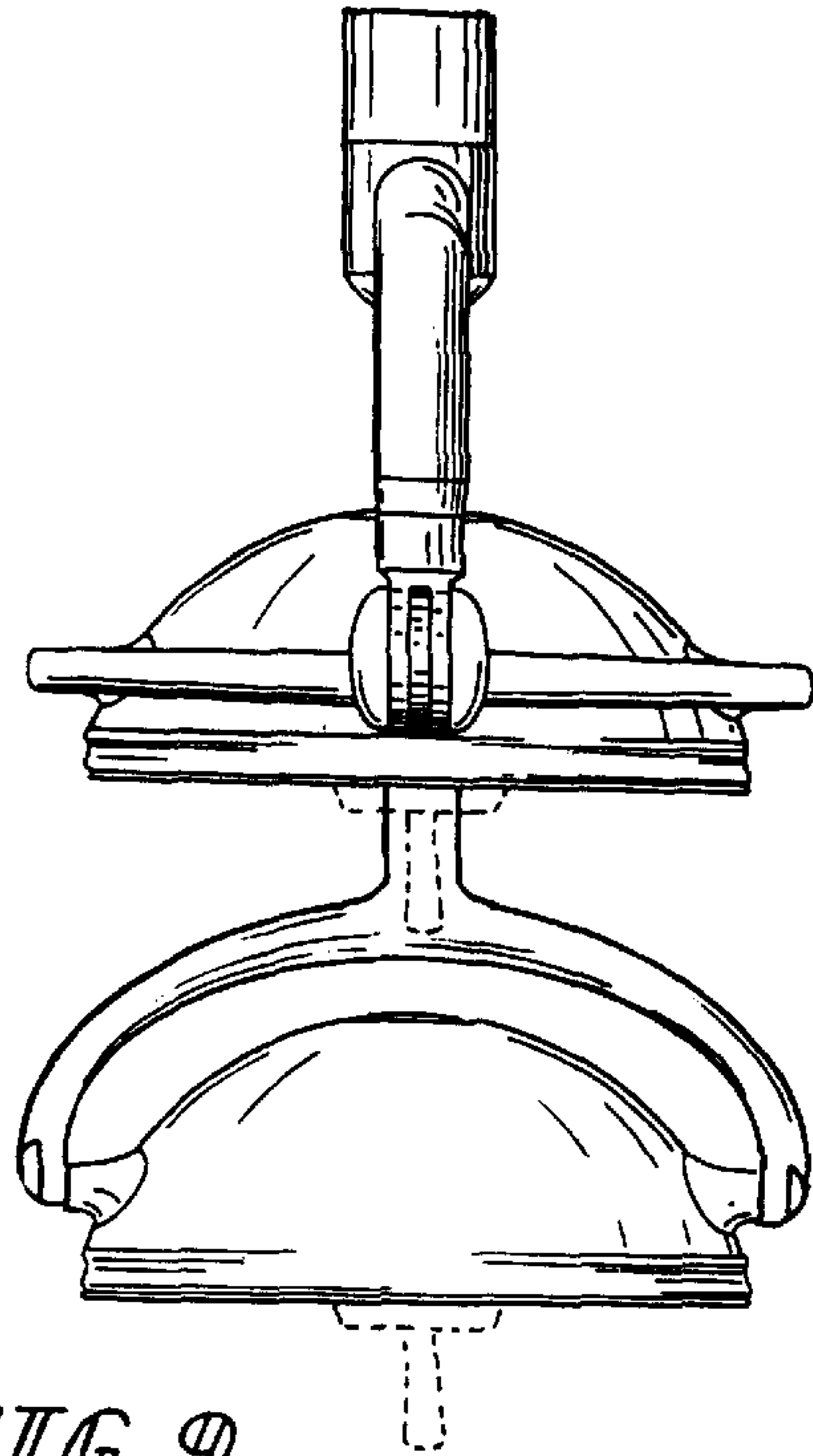


FIG. 9

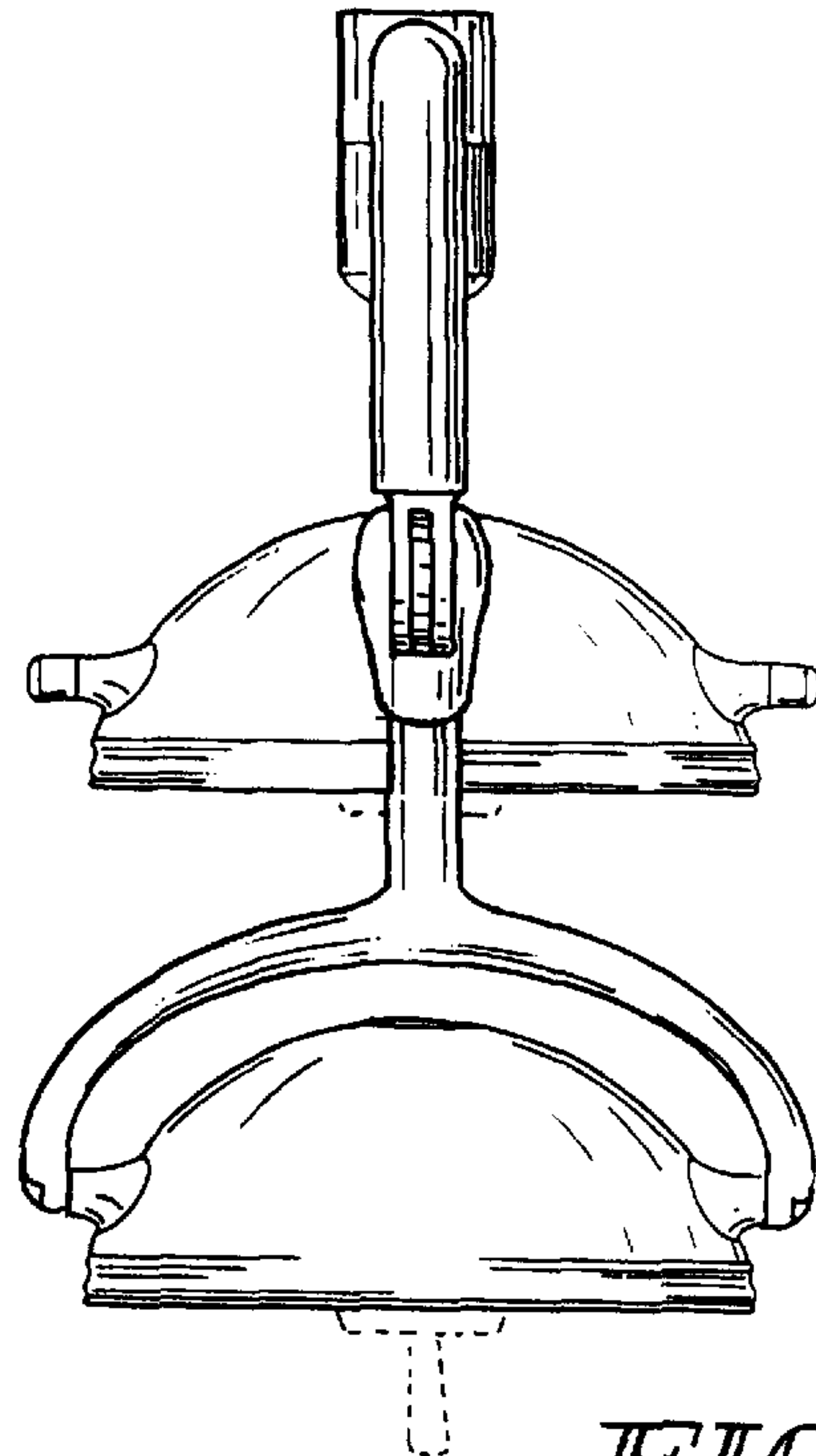


FIG. 10

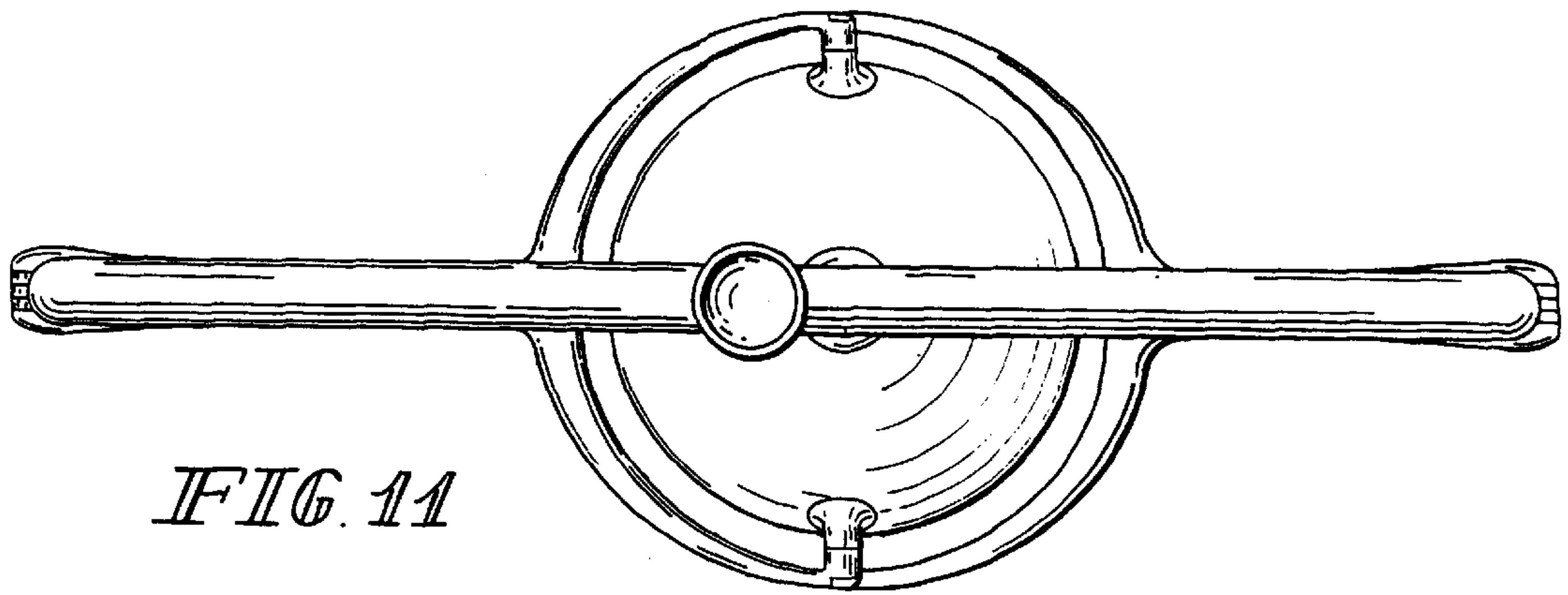


FIG. 11

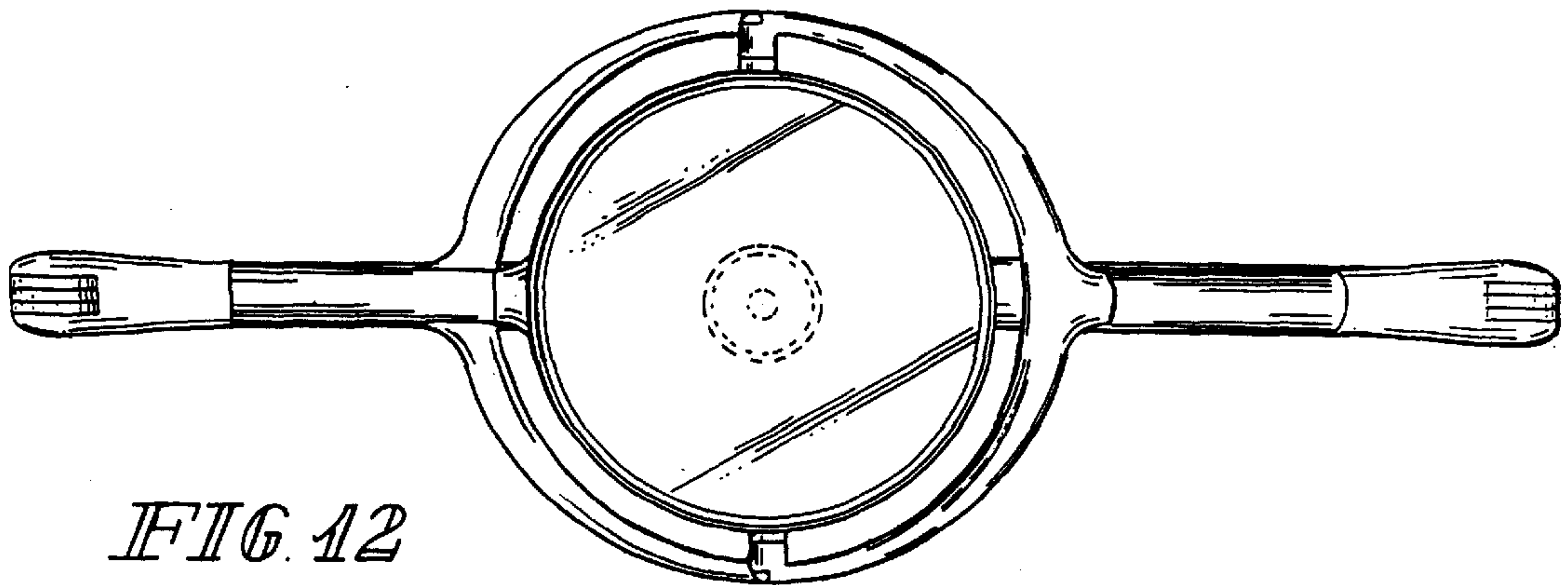


FIG. 12

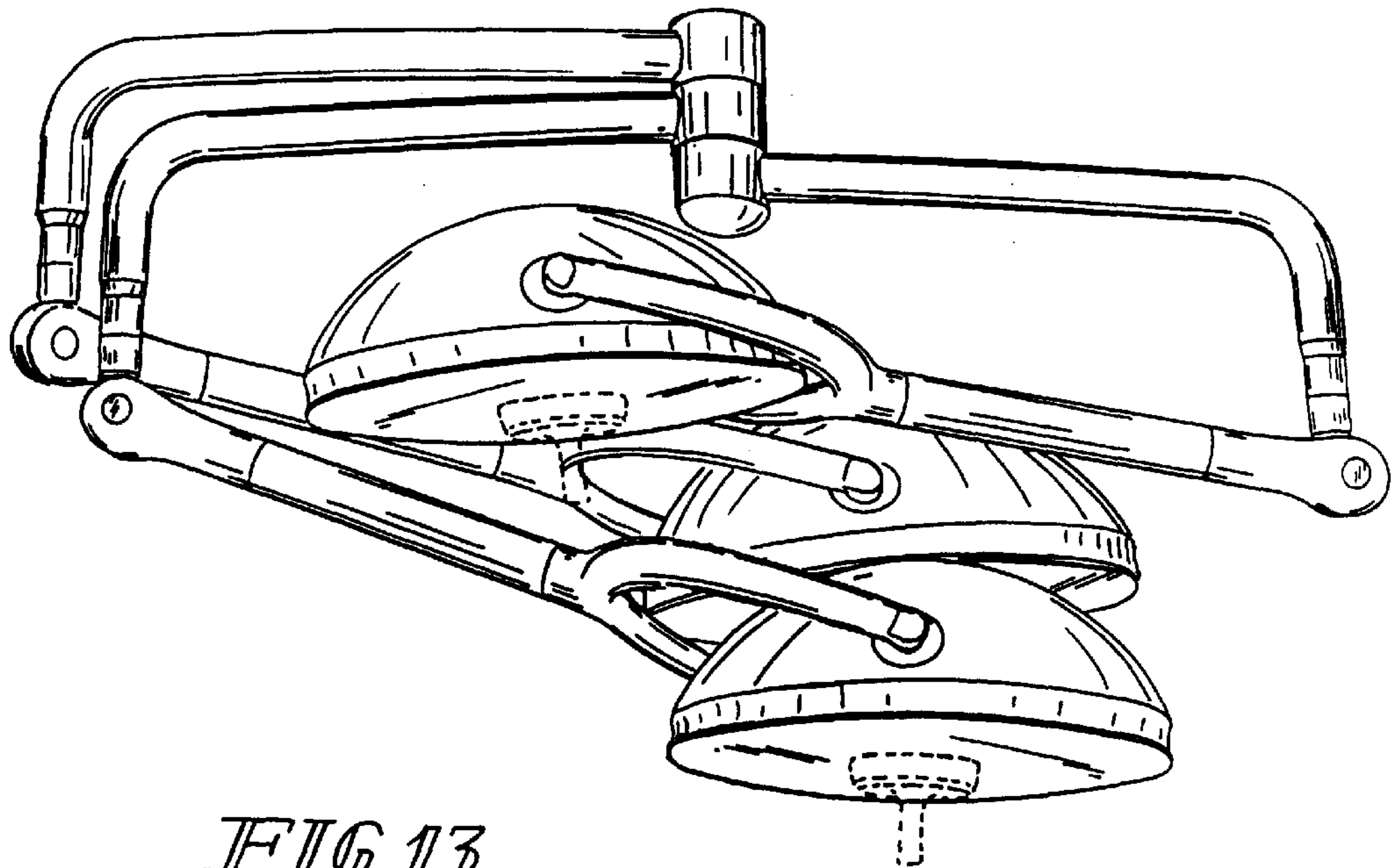


FIG. 13

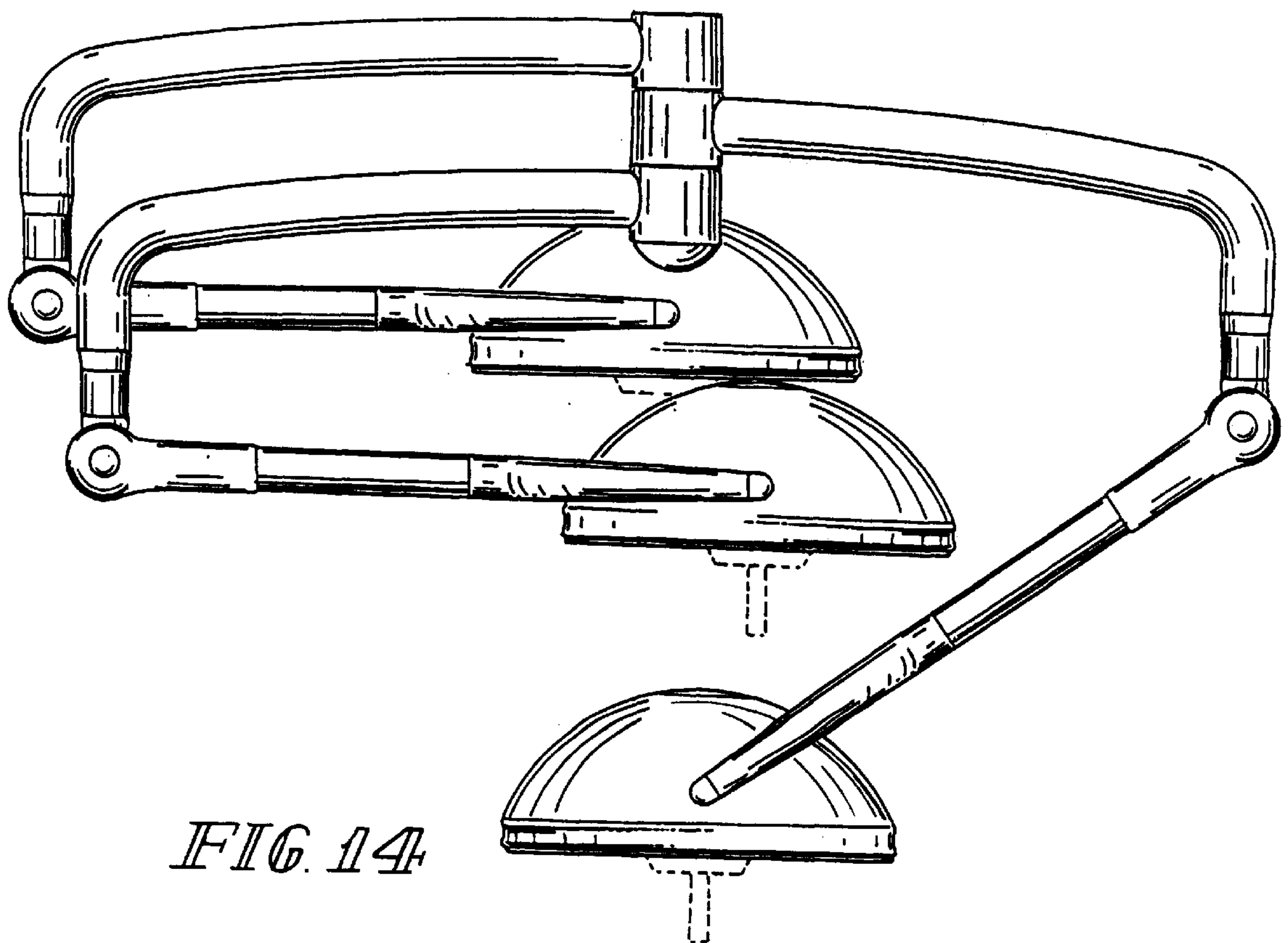


FIG. 14

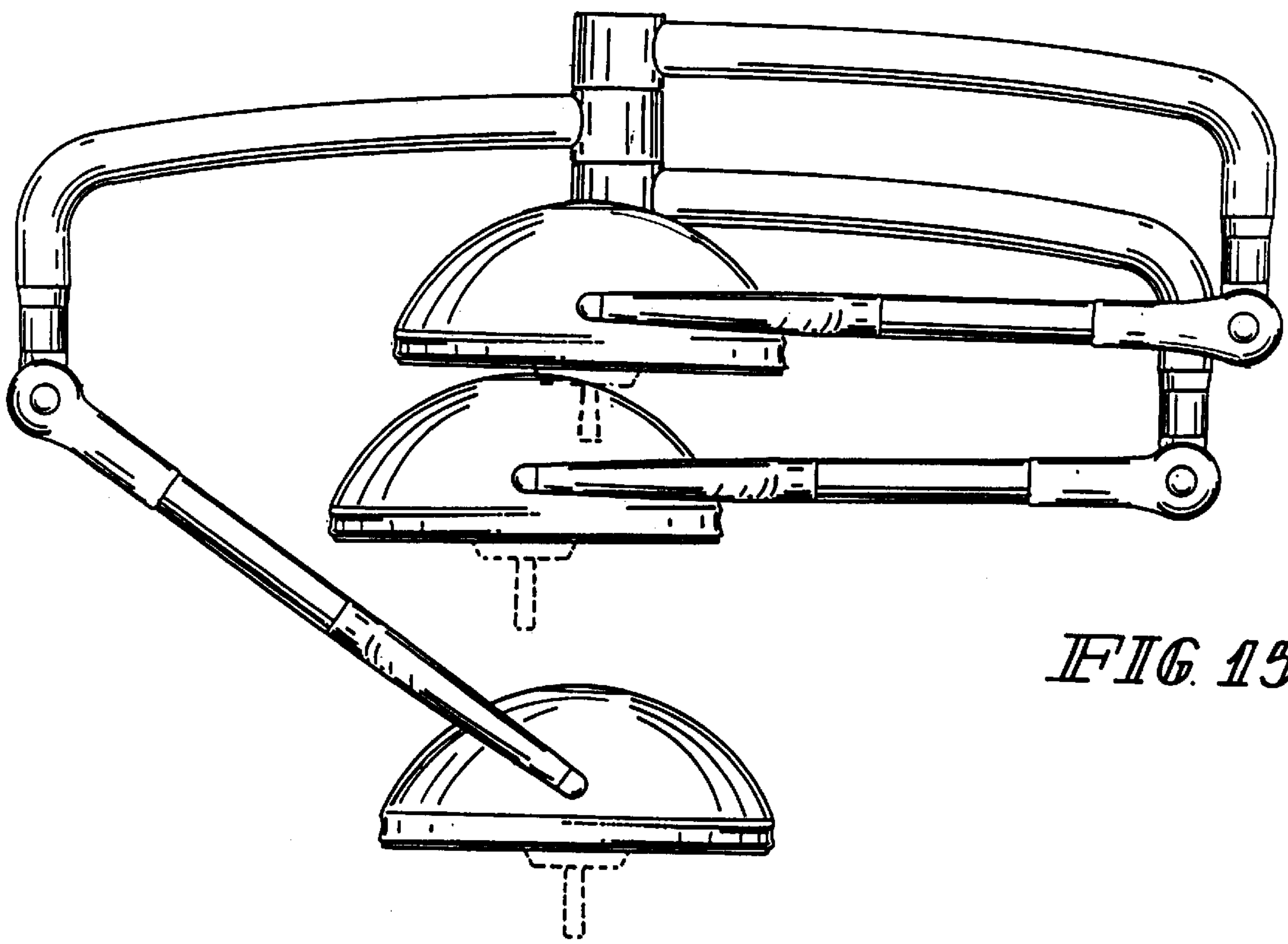


FIG. 15

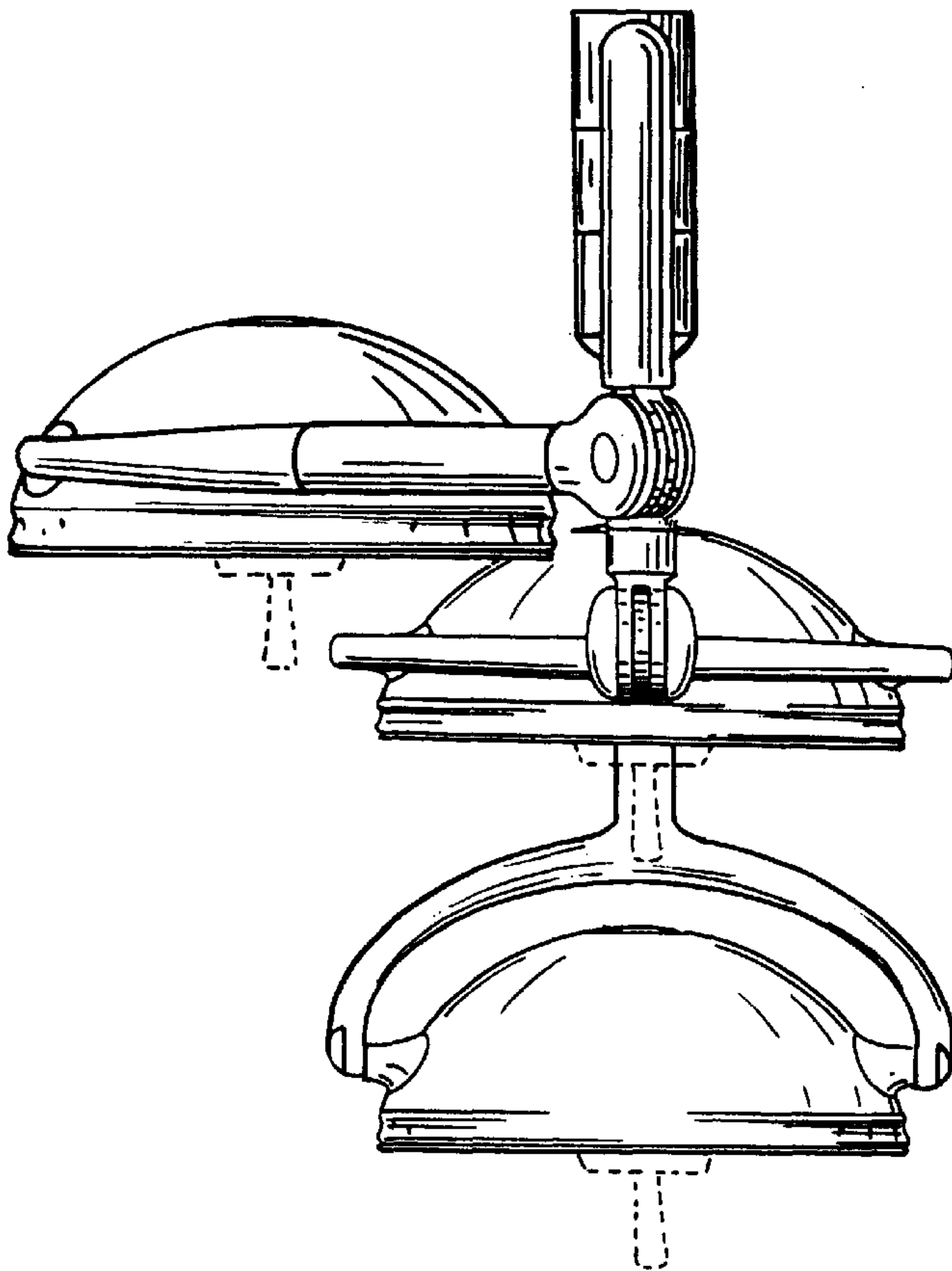


FIG. 16

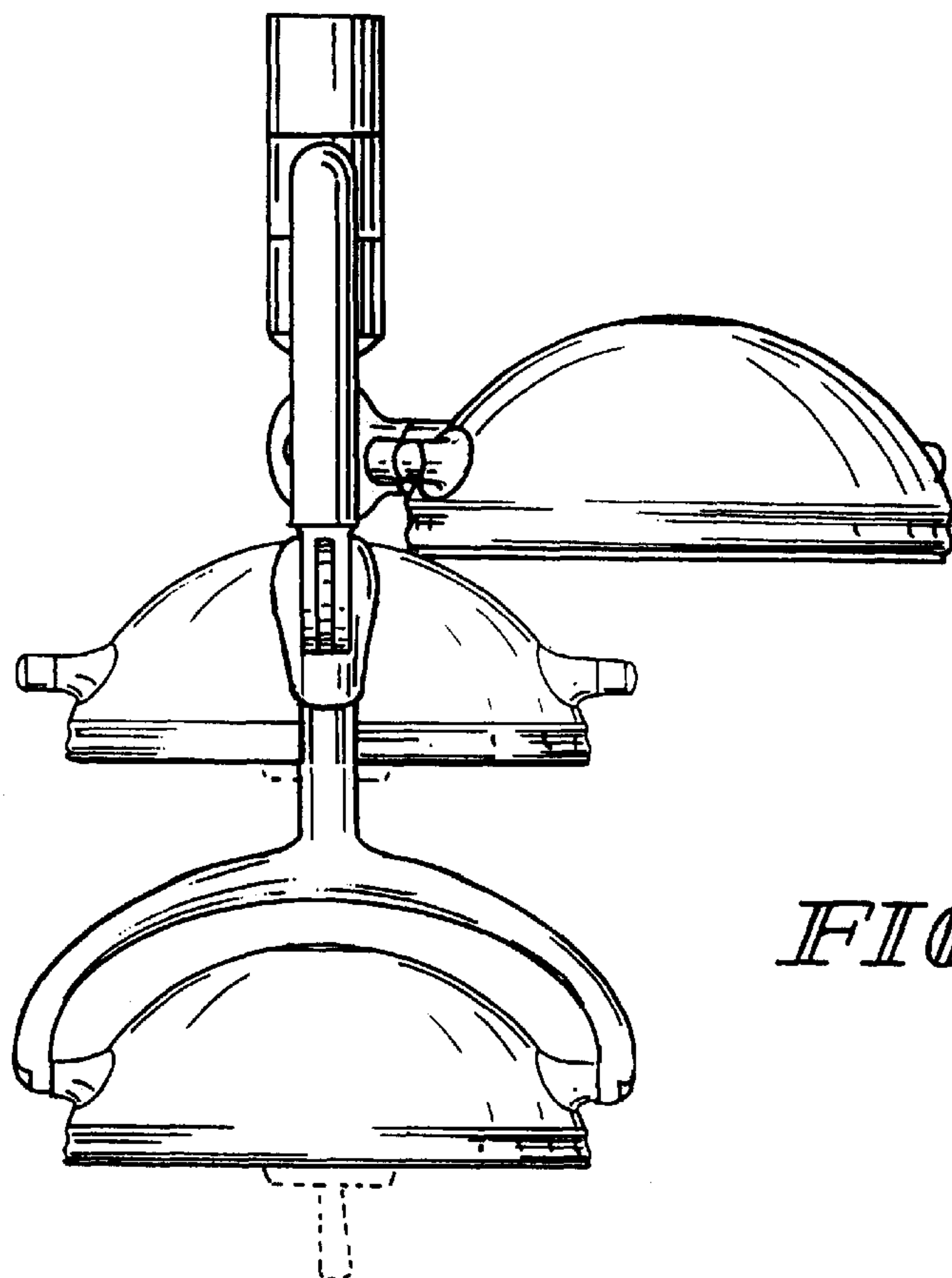


FIG. 17

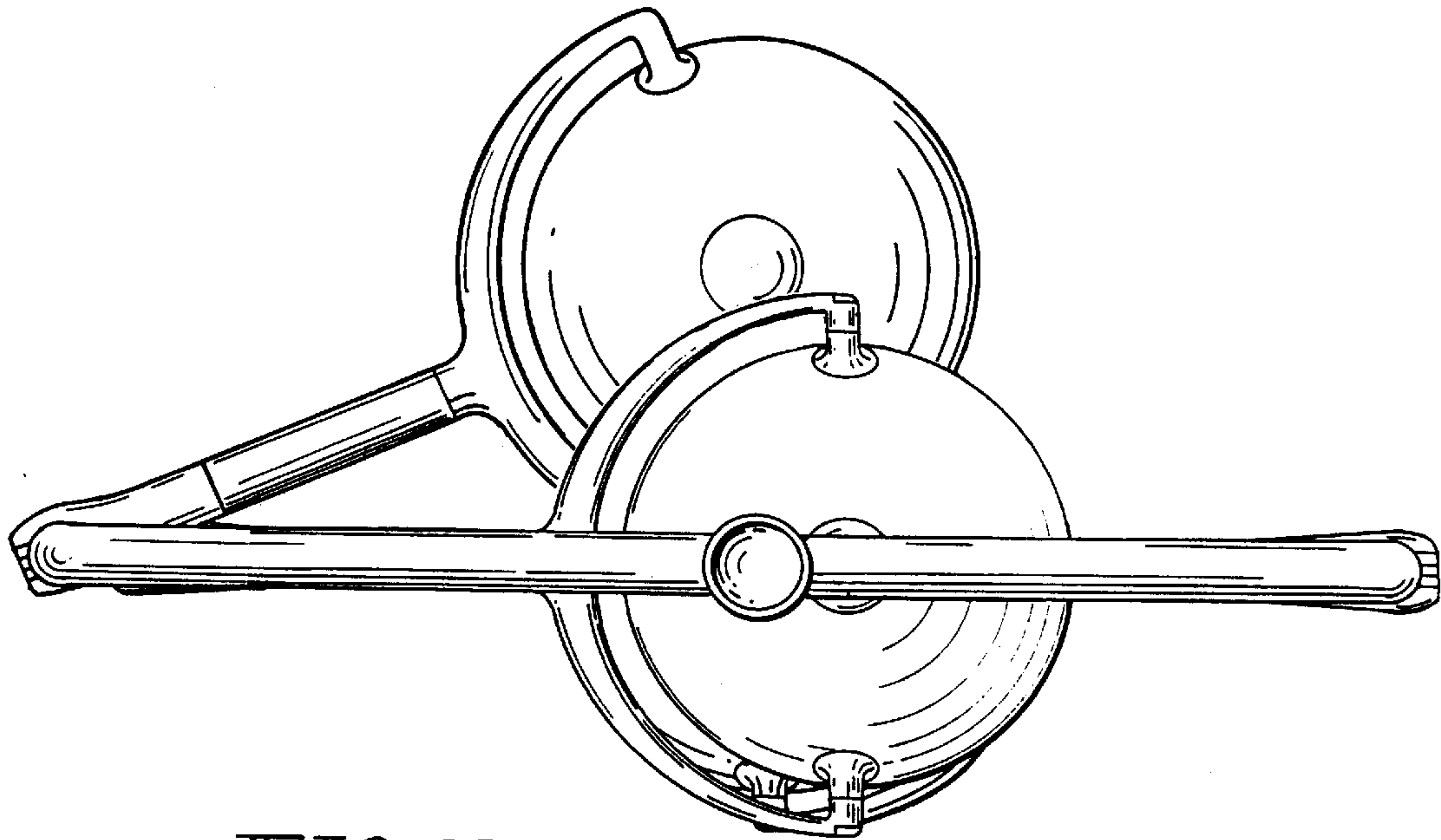


FIG. 18

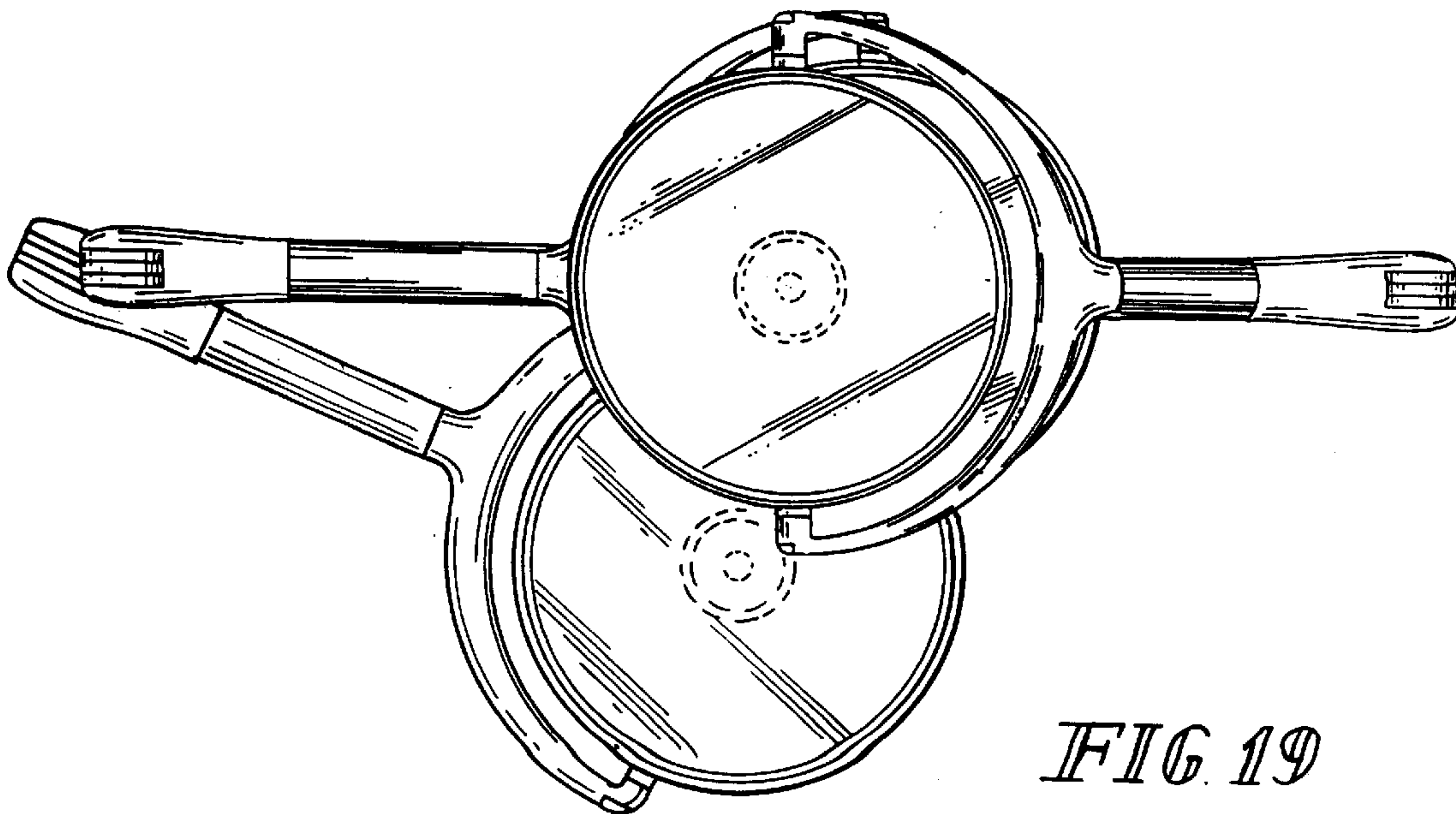


FIG. 19