



US00D437956S

(12) **United States Design Patent**
Cogliano et al.

(10) **Patent No.:** **US D437,956 S**

(45) **Date of Patent:** **** Feb. 20, 2001**

(54) **LIGHTING FIXTURE**

(75) Inventors: **Frank Cogliano**, Suffern; **Dun Ping Hu**, Flushing, both of NY (US); **Doug Highbridge**, Hopewell Junction, NJ (US); **Kenneth Kane**, Trumbull, CT (US); **David Westbrook**, Cornwall, NY (US)

(73) Assignee: **Lighting Services Inc.**, Stony Point, NY (US)

(**) Term: **14 Years**

(21) Appl. No.: **29/115,456**

(22) Filed: **Dec. 14, 1999**

(51) **LOC (7) Cl.** **26-05**

(52) **U.S. Cl.** **D26/63**

(58) **Field of Search** D26/60-66; 362/269, 362/284, 272, 273, 275, 285, 288, 277, 281, 287, 418, 419, 427

(56) **References Cited**

U.S. PATENT DOCUMENTS

D. 93,934 * 11/1934 Levy D26/63

D. 247,689 * 4/1978 Le Vasseur D26/63
D. 415,301 * 10/1999 Stacy et al. D26/63
4,598,345 * 7/1986 Kleeman 362/272
5,544,029 * 8/1996 Cunningham 362/273

* cited by examiner

Primary Examiner—Susan J. Lucas

(74) *Attorney, Agent, or Firm*—Cowan, Liebowitz & Latman, P.C.; William H. Dippert

(57) **CLAIM**

The ornamental design for the lighting fixture, as shown and described.

DESCRIPTION

FIG. 1 is a front, left side and top perspective view of the lighting fixture showing our new design; FIG. 2 is a front elevational view thereof; FIG. 3 is a right side elevational view thereof; FIG. 4 is a top plan view thereof; FIG. 5 is a bottom plan view thereof; FIG. 6 is a left side elevational view thereof; and, FIG. 7 is a rear view thereof.

The broken lines are shown for illustrative purposes only and form no part of the claimed design.

1 Claim, 4 Drawing Sheets

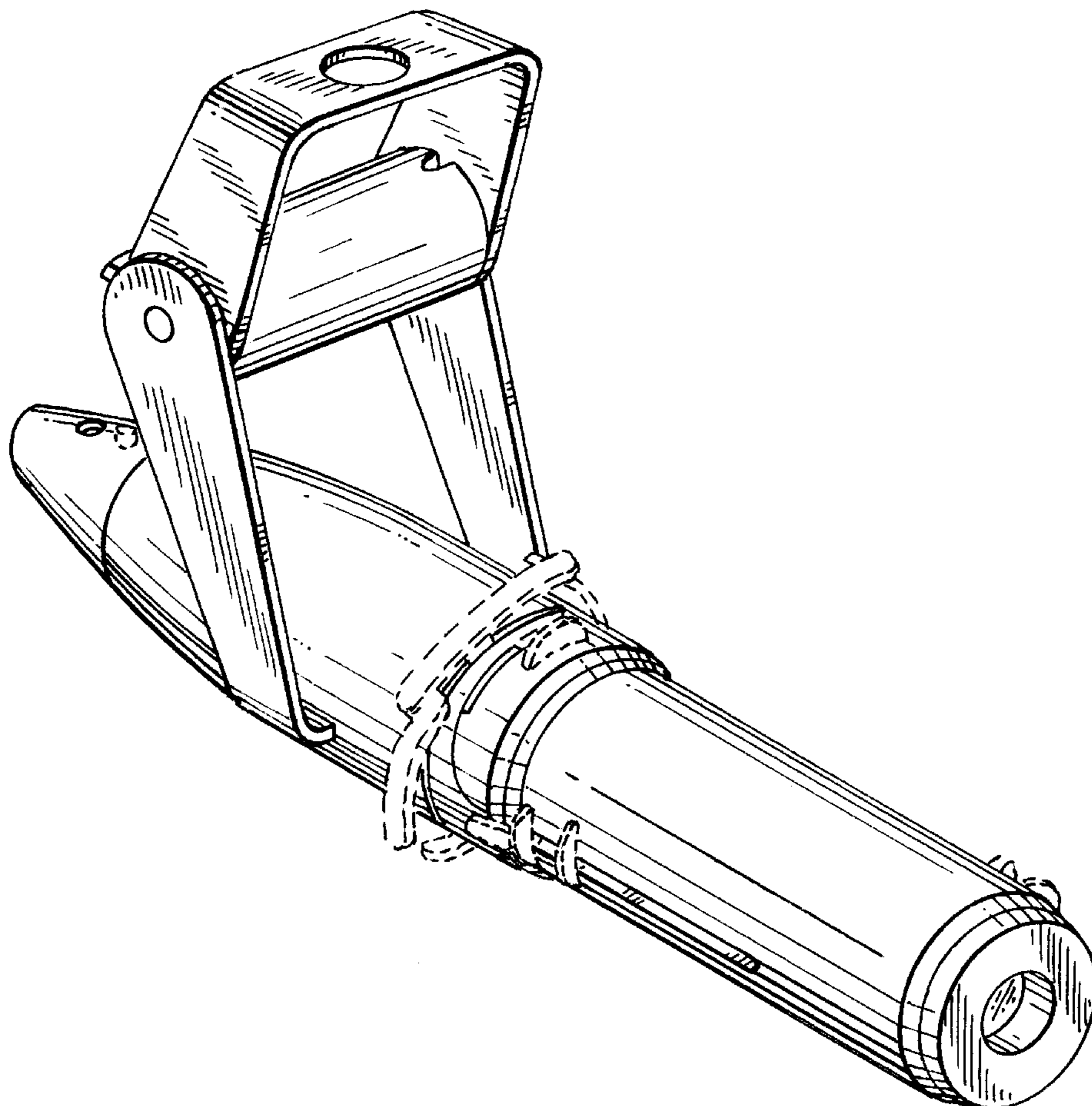


FIG. 1

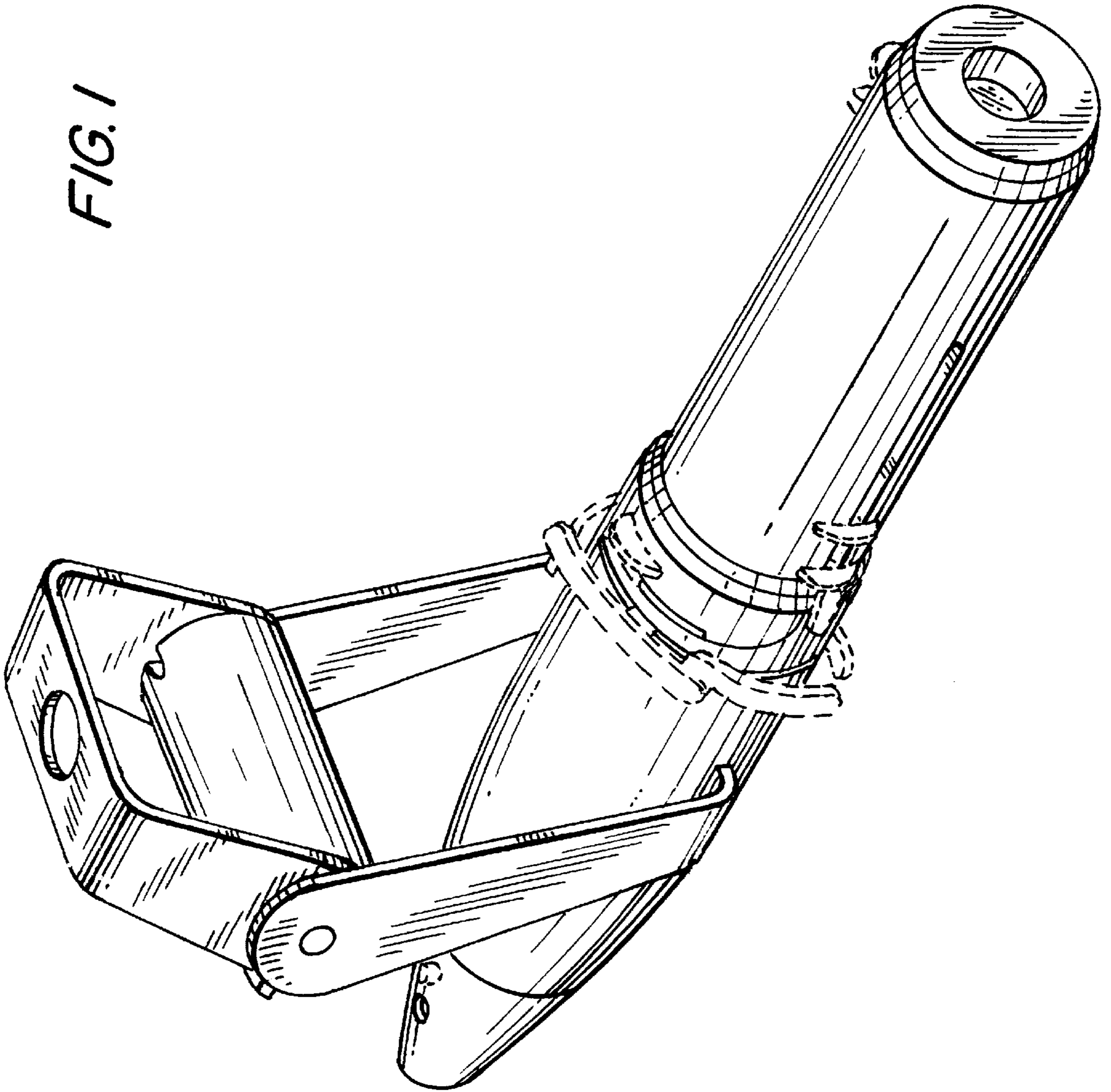


FIG. 3

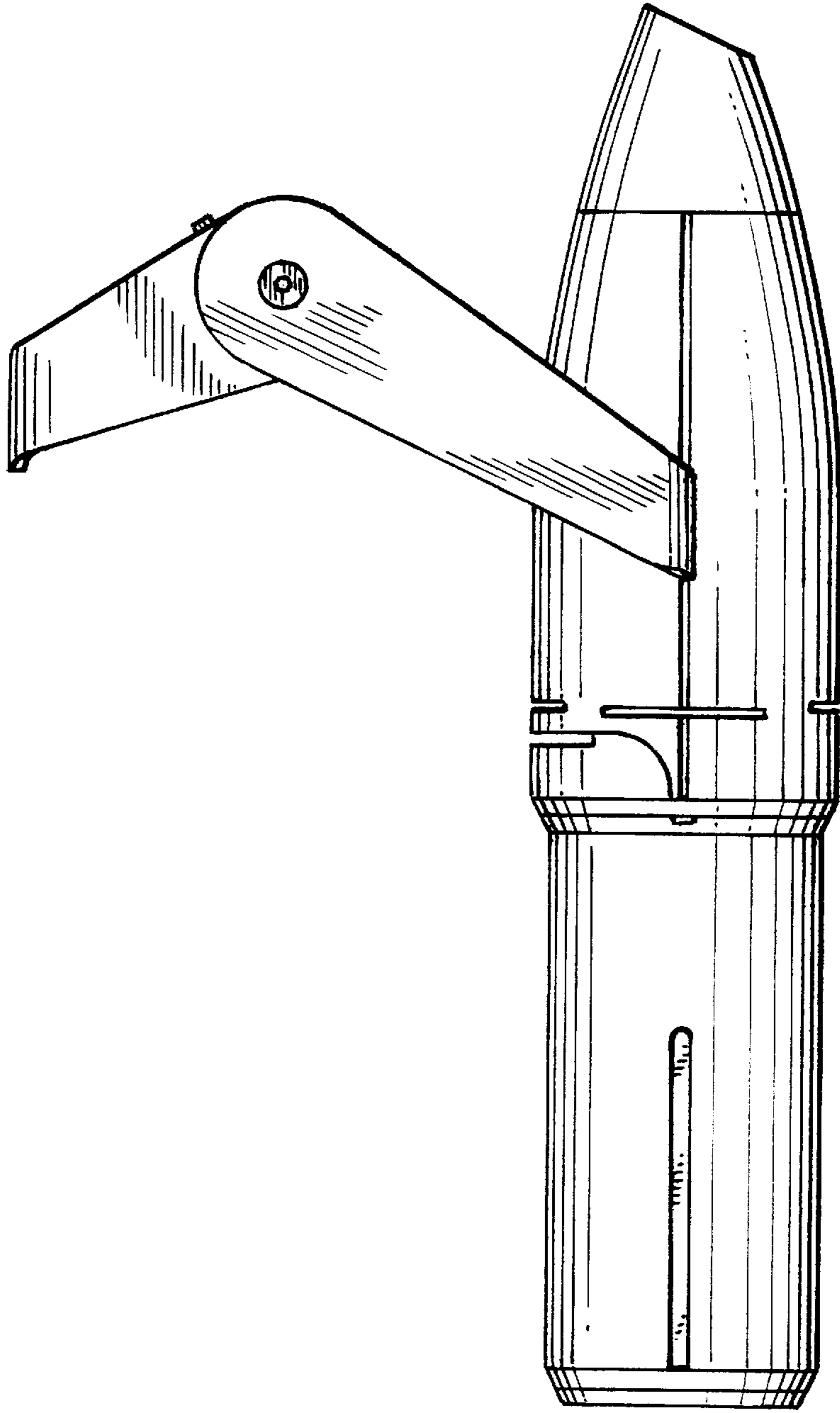
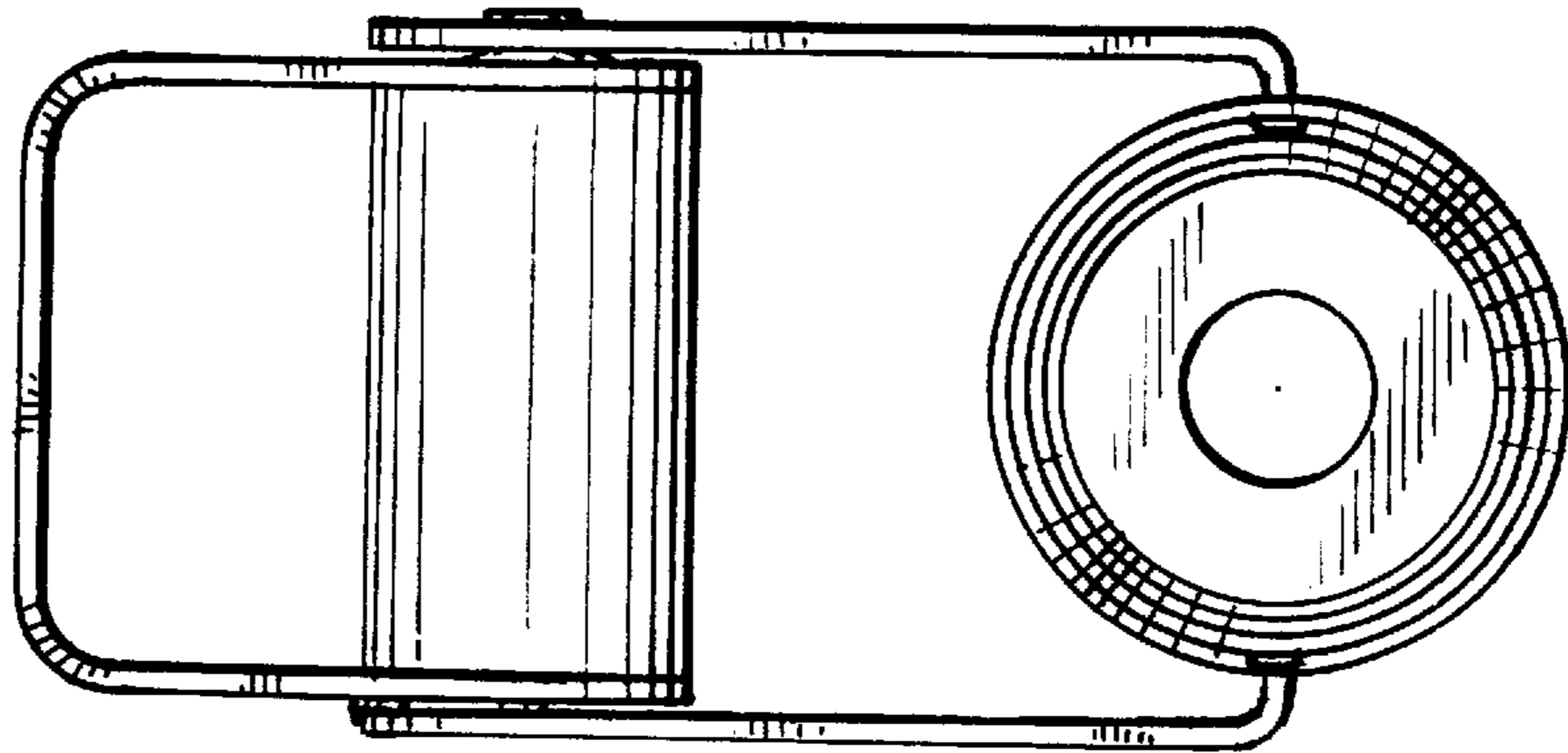


FIG. 2



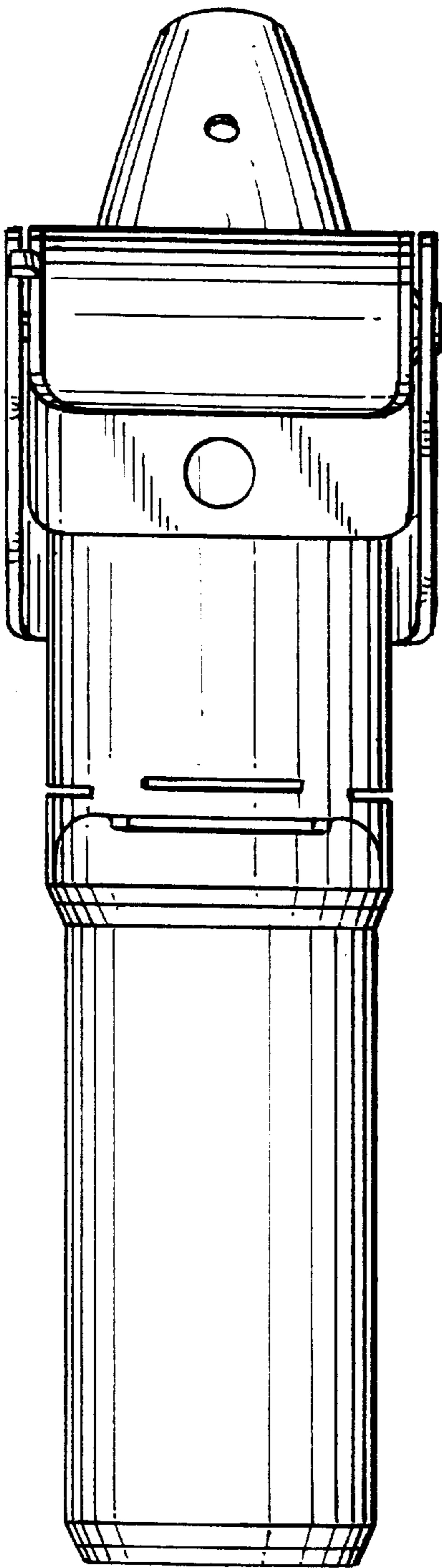


FIG. 4

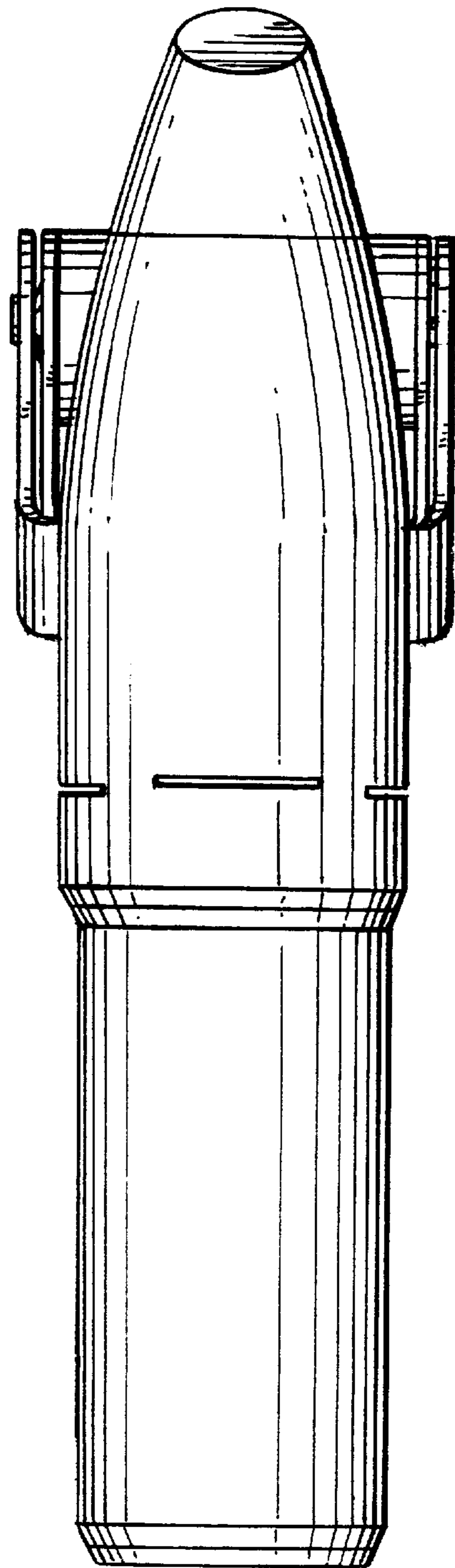


FIG. 5

FIG. 7

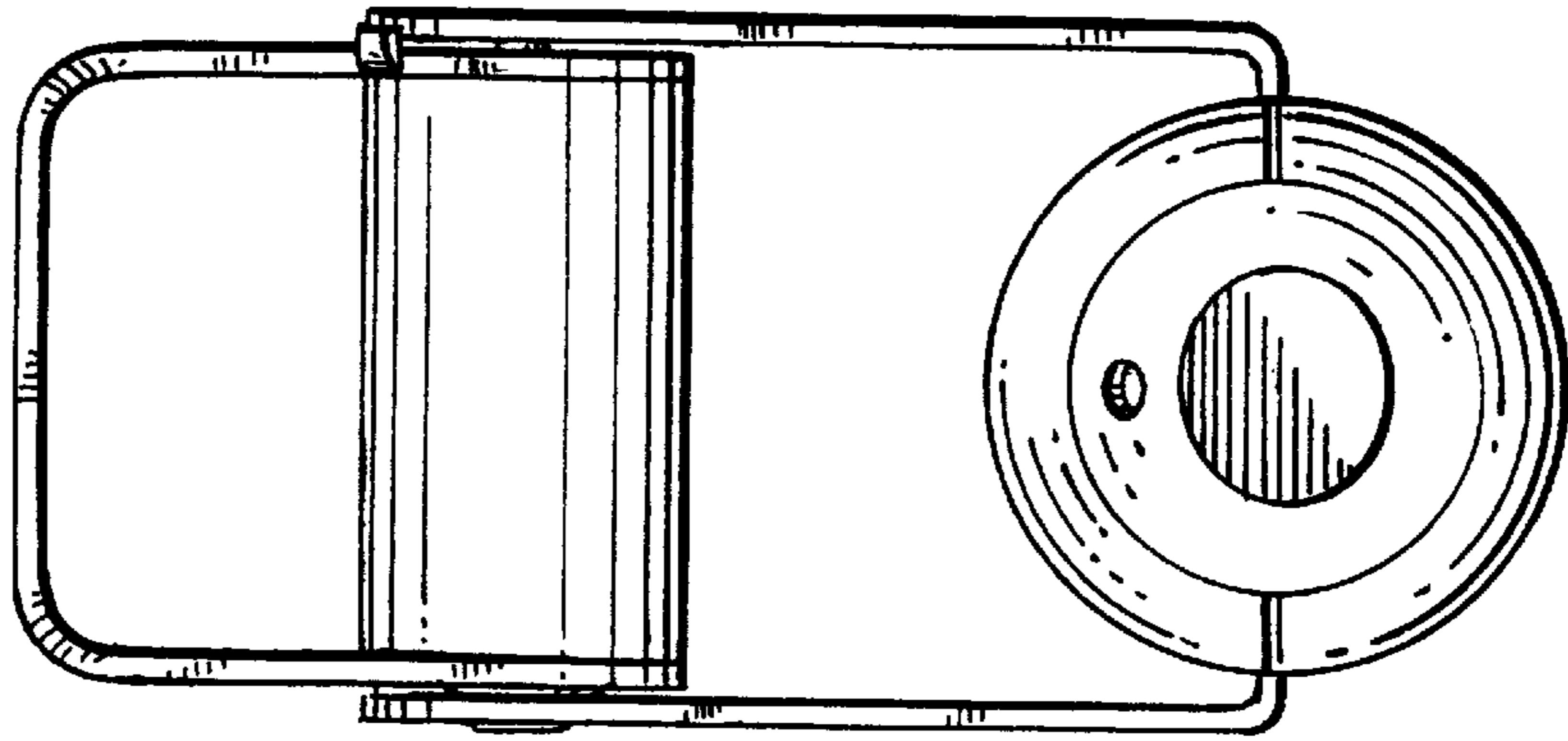


FIG. 6

