



US00D437955S

(12) **United States Design Patent**  
**Tang**

(10) **Patent No.:** **US D437,955 S**

(45) **Date of Patent:** **\*\* Feb. 20, 2001**

(54) **FLOODLIGHT**

(76) **Inventor:** **Shih-Chuan Tang**, 58, Ma Yuan West St., Taichung, Taiwan (TW)

(\*\*) **Term:** **14 Years**

(21) **Appl. No.:** **29/105,165**

(22) **Filed:** **May 19, 1999**

(51) **LOC (7) Cl.** ..... **26-05**

(52) **U.S. Cl.** ..... **D26/63**

(58) **Field of Search** ..... D26/60-66; 362/267, 362/269, 271, 272, 273, 276, 282, 283, 285, 287, 418, 419, 427, 296, 297, 301, 306

(56) **References Cited**

**U.S. PATENT DOCUMENTS**

- D. 345,616 \* 3/1994 Lia ..... D26/63
- D. 351,249 \* 10/1994 Smoke et al. .... D26/65
- D. 425,232 \* 5/2000 Chang ..... D26/63

**OTHER PUBLICATIONS**

G.E. flyer, Miser™ Deluxe HPS floodlight, Jun. 1986.\*

\* cited by examiner

*Primary Examiner*—Susan J. Lucas

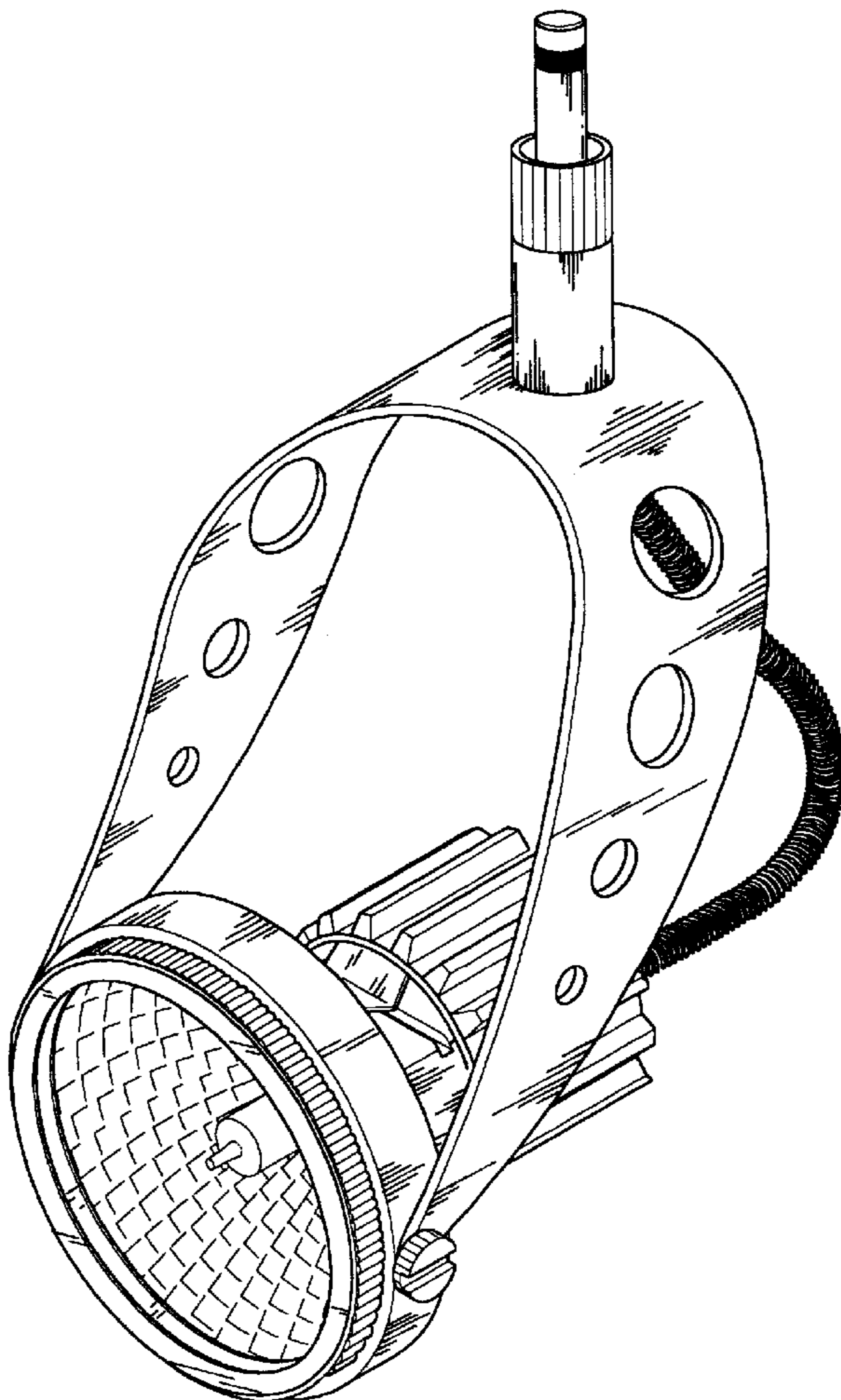
(57) **CLAIM**

The ornamental design for a floodlight, as shown and described.

**DESCRIPTION**

FIG. 1 is a perspective view of a floodlight showing my new design;  
 FIG. 2 is a front elevational view thereof;  
 FIG. 3 is a rear elevational view thereof;  
 FIG. 4 is a left side elevational view thereof;  
 FIG. 5 is a right side elevational view thereof;  
 FIG. 6 is a top plan view thereof; and,  
 FIG. 7 is a bottom plan view thereof.

**1 Claim, 4 Drawing Sheets**



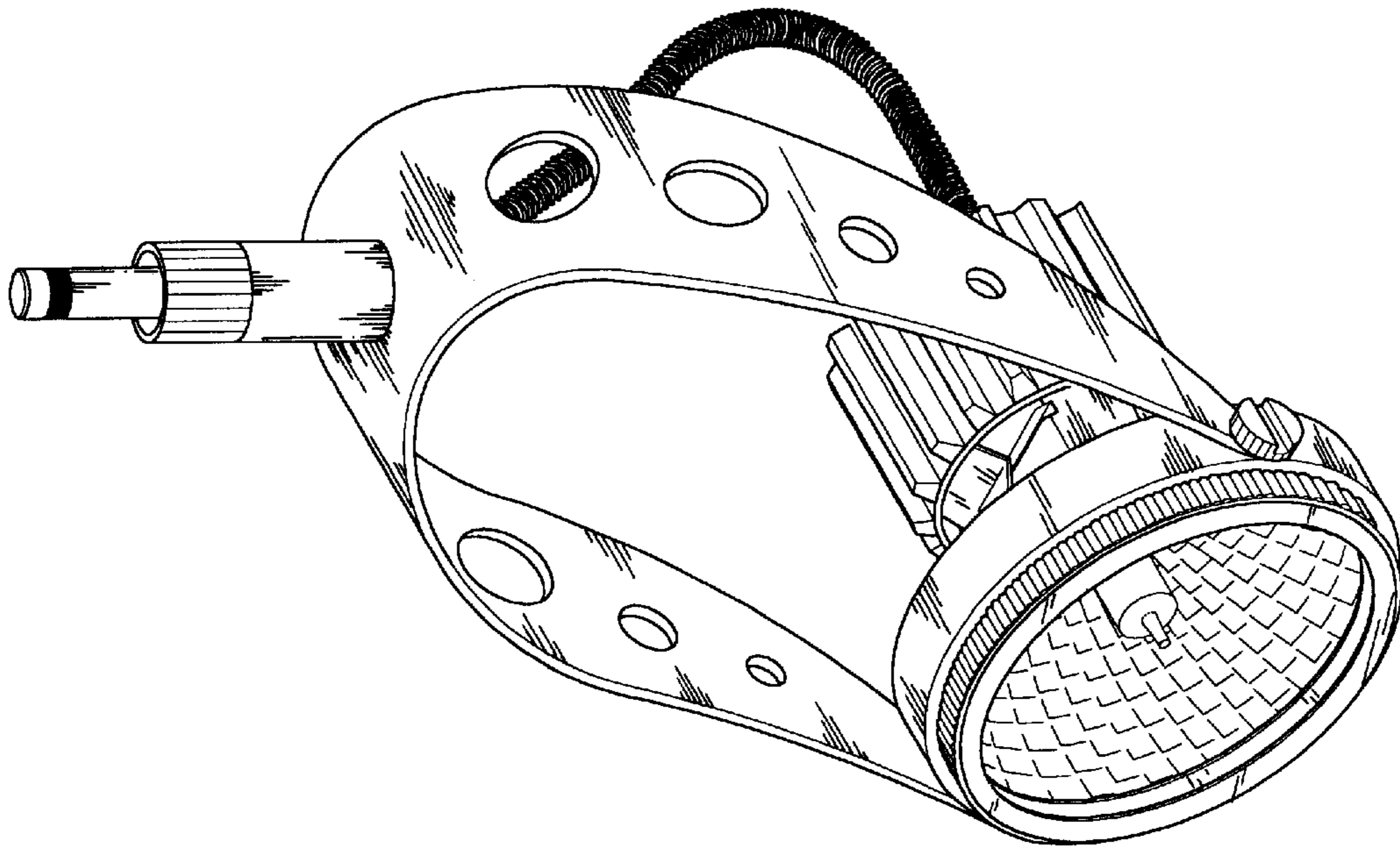


FIG. 1

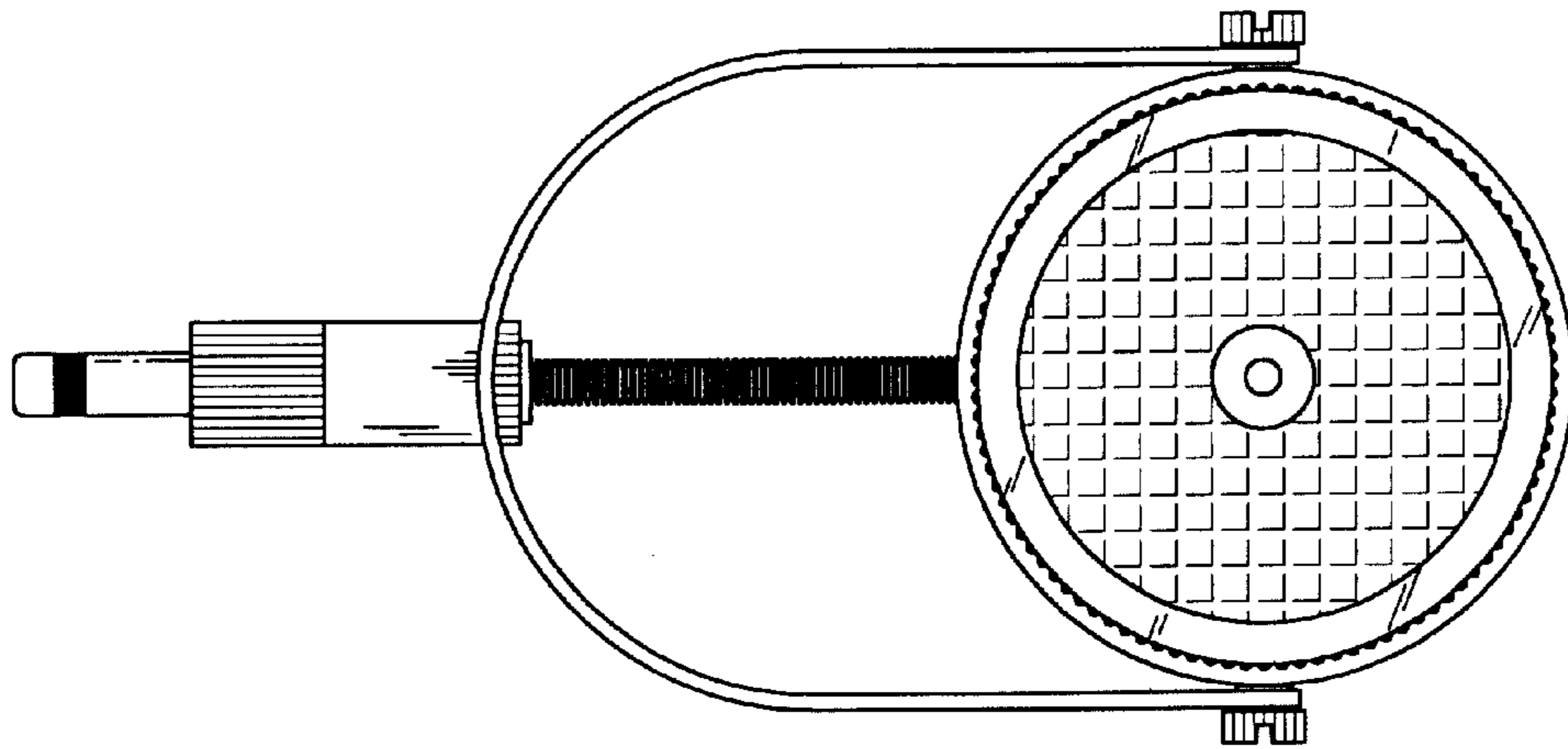


FIG. 2

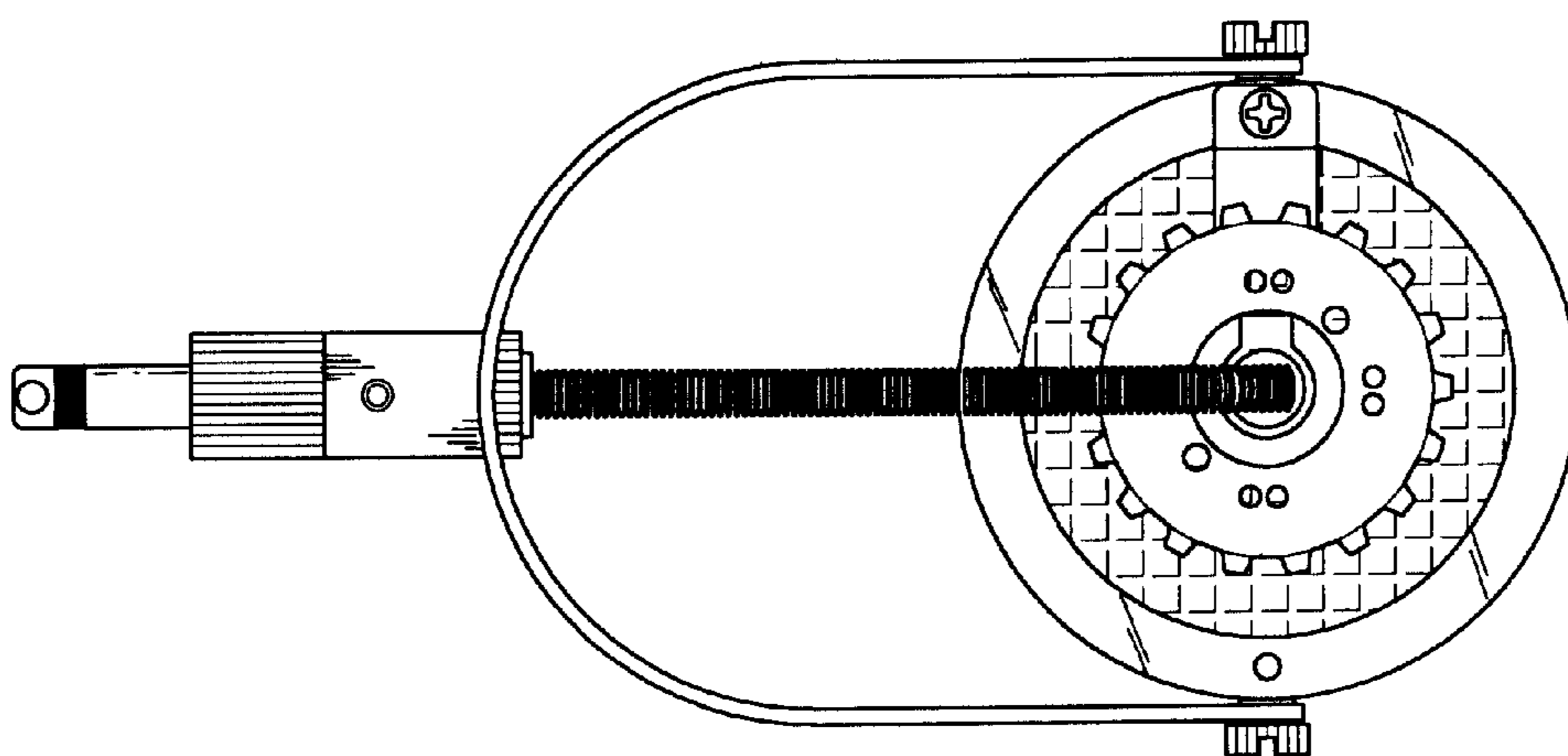


FIG. 3

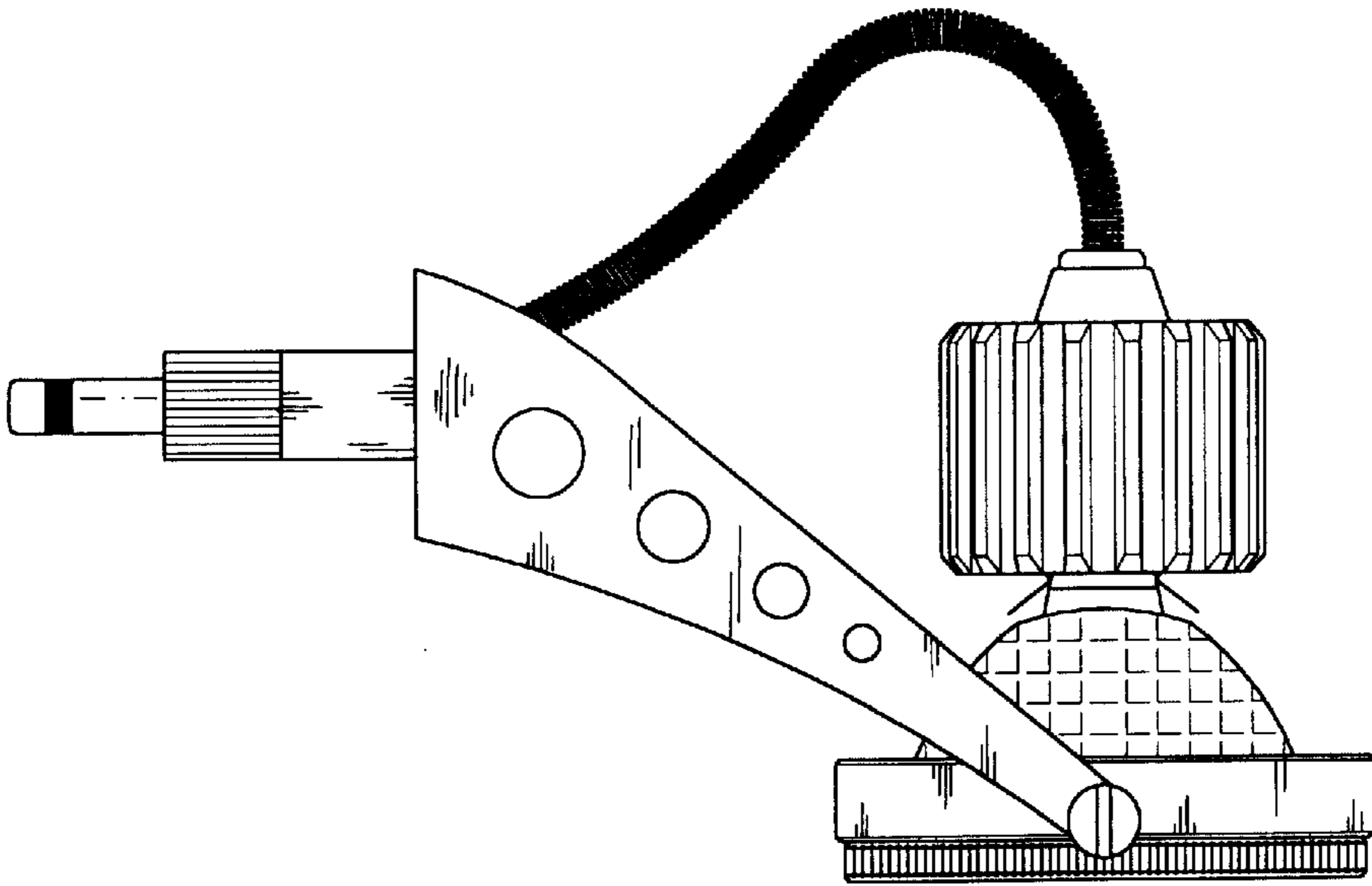


FIG. 5

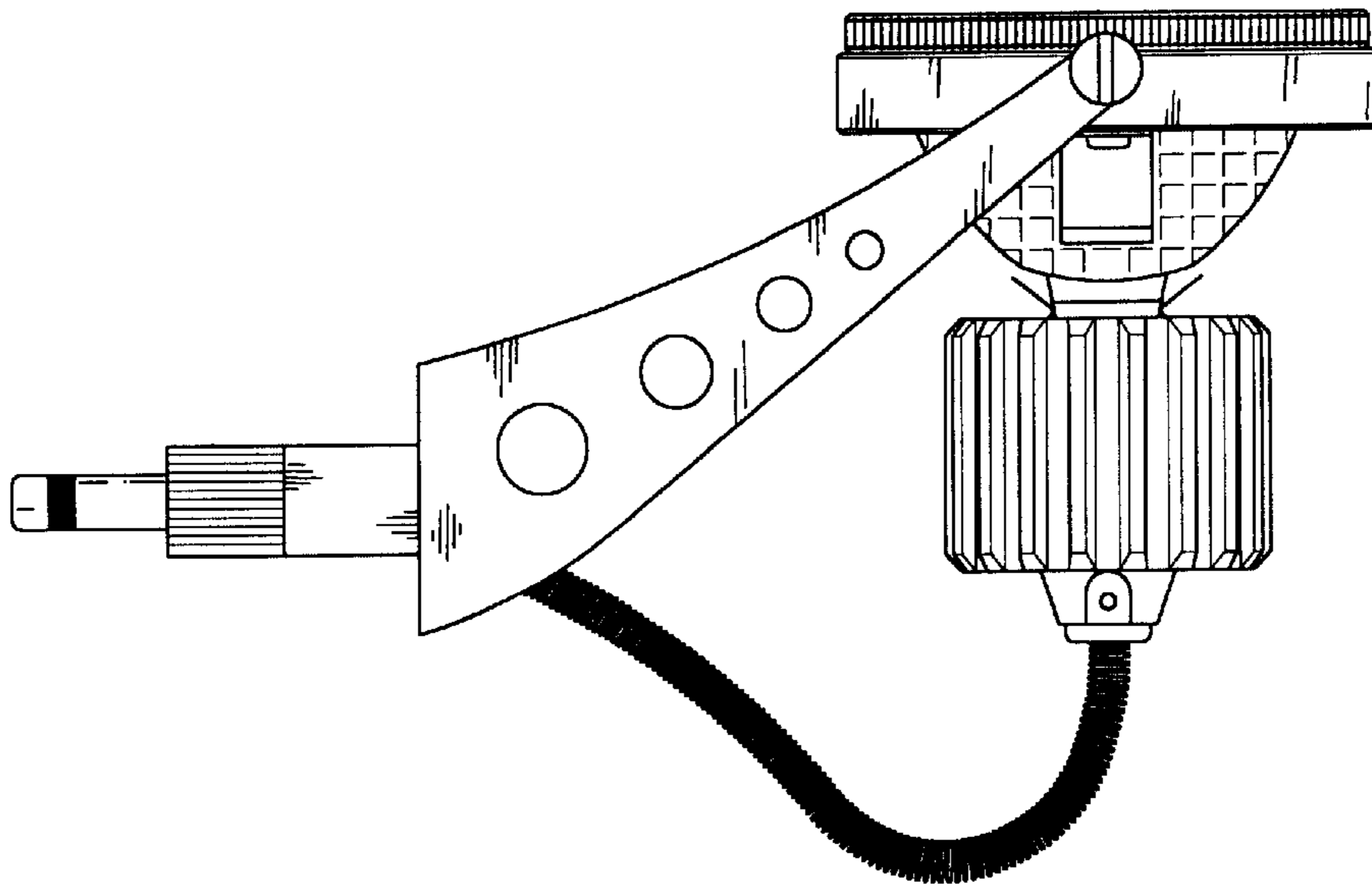


FIG. 4

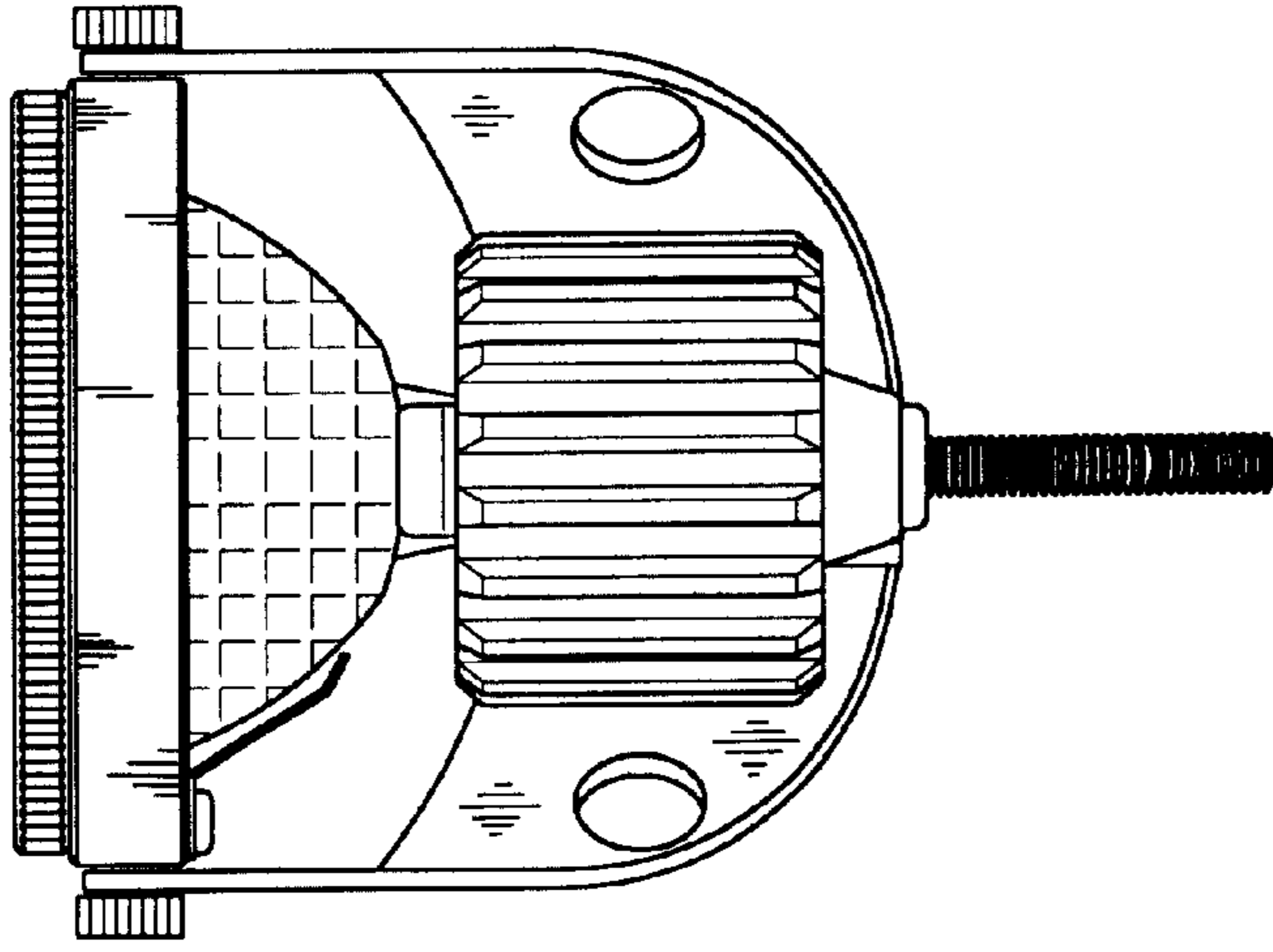


FIG. 7

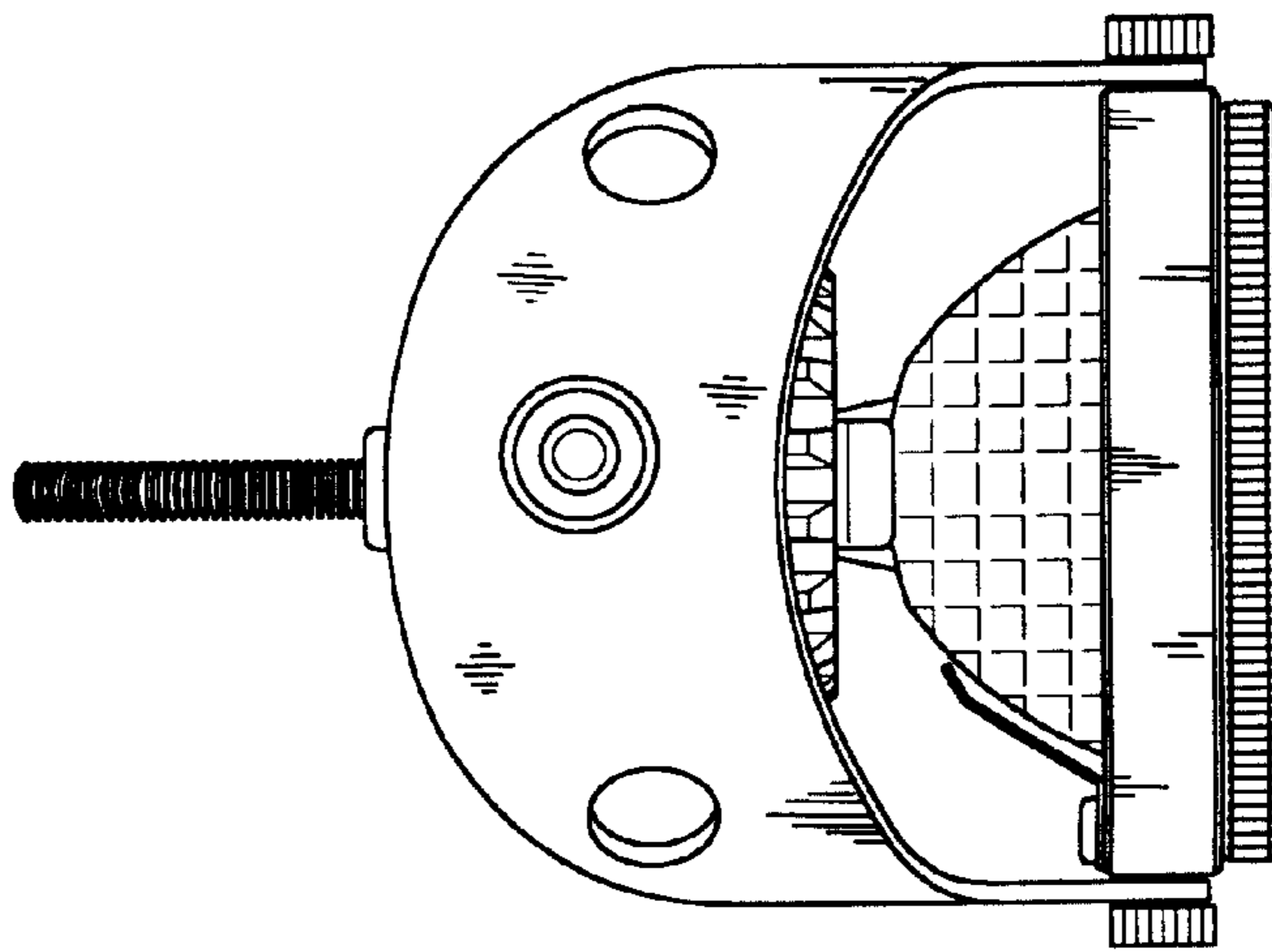


FIG. 6