



US00D437954S

(12) **United States Design Patent**  
**Tang**

(10) **Patent No.:** **US D437,954 S**

(45) **Date of Patent:** **\*\* Feb. 20, 2001**

(54) **FLOODLIGHT**

(76) Inventor: **Shih-Chuan Tang**, 58, Ma Yuan West St., Taichung (TW)

(\*\*) Term: **14 Years**

(21) Appl. No.: **29/104,540**

(22) Filed: **May 5, 1999**

(51) **LOC (7) Cl.** ..... **26-05**

(52) **U.S. Cl.** ..... **D26/63**

(58) **Field of Search** ..... D26/60-65, 118;  
362/269, 271, 272, 275, 278, 281, 282,  
285, 287, 418, 419, 427, 341, 347, 350,  
361

(56) **References Cited**

**U.S. PATENT DOCUMENTS**

D. 418,618 \* 1/2000 Shuenn-Fa ..... D26/65  
5,347,432 \* 9/1994 Calavetta ..... 362/278 X

**OTHER PUBLICATIONS**

Domus magazine, Nov. 1988, ADS. p. 119, spot light, top right.\*

\* cited by examiner

*Primary Examiner*—Susan J. Lucas

(57) **CLAIM**

The ornamental design for a floodlight, as shown and described.

**DESCRIPTION**

FIG. 1 is a perspective view of floodlight showing my new design;

FIG. 2 is a front elevational view thereof;

FIG. 3 is a rear elevational view thereof;

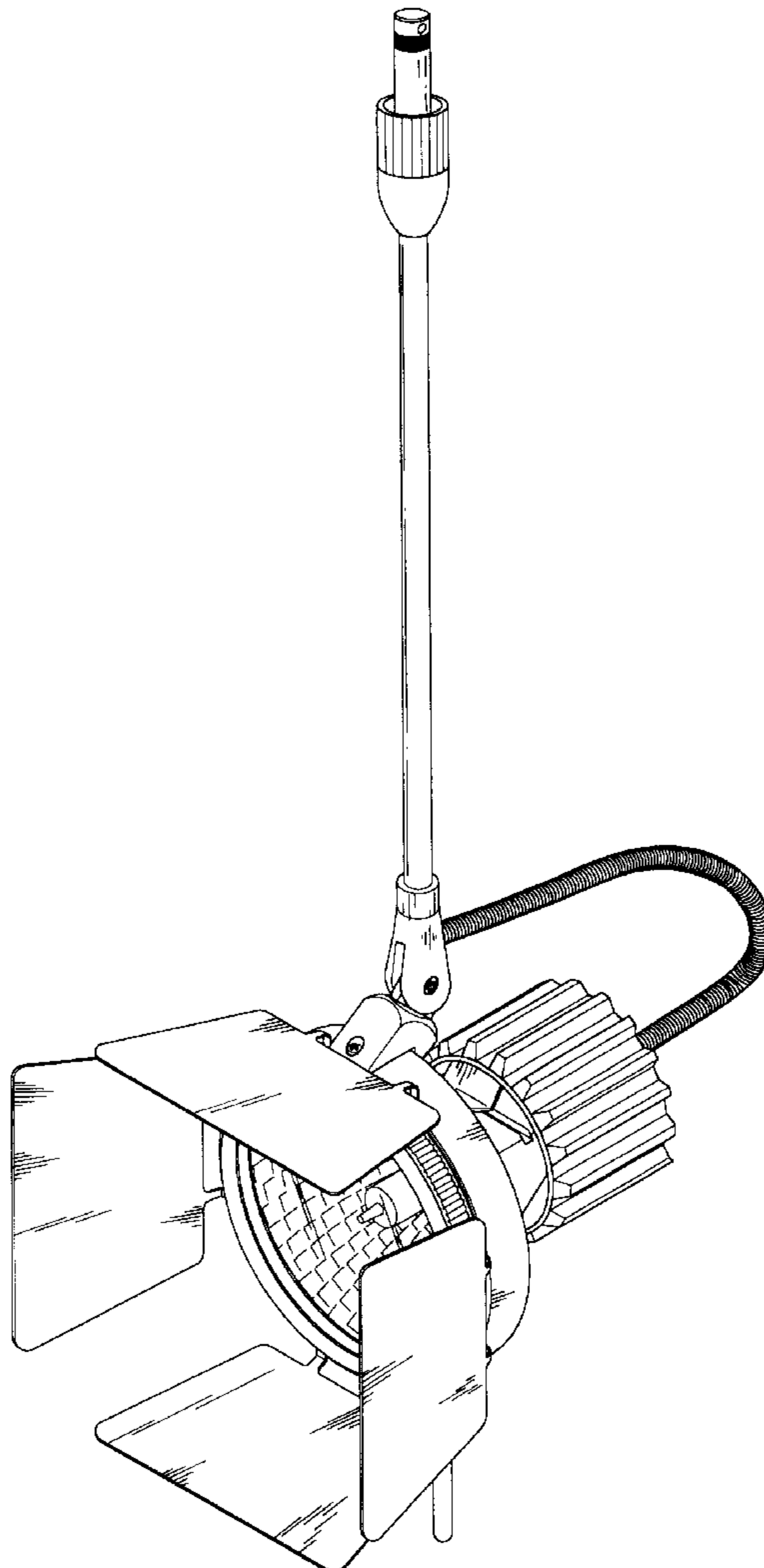
FIG. 4 is a left side elevational view thereof;

FIG. 5 is a right side elevational view thereof;

FIG. 6 is a top plan view thereof; and,

FIG. 7 is a bottom plan view thereof.

**1 Claim, 5 Drawing Sheets**



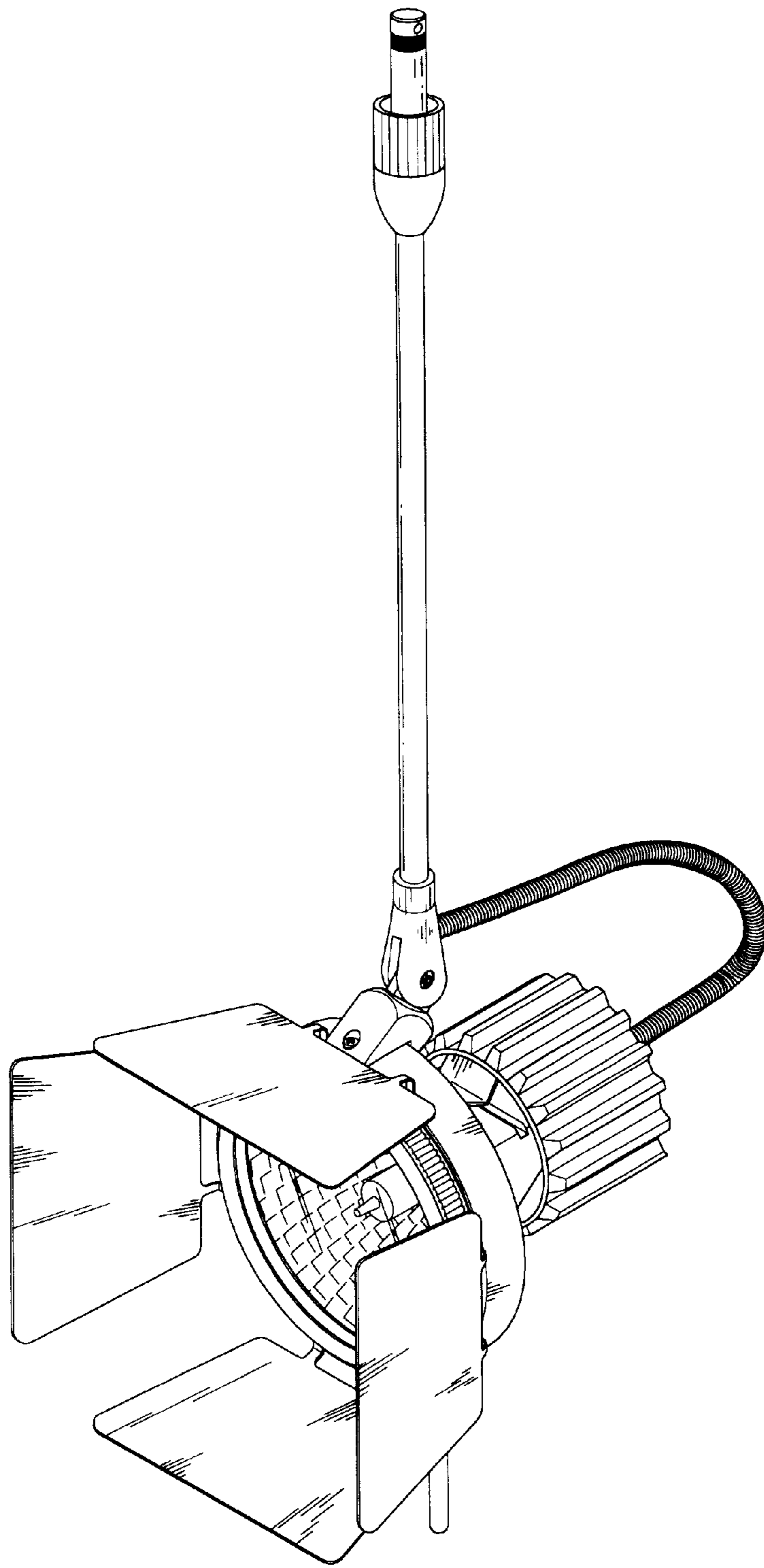


FIG. 1

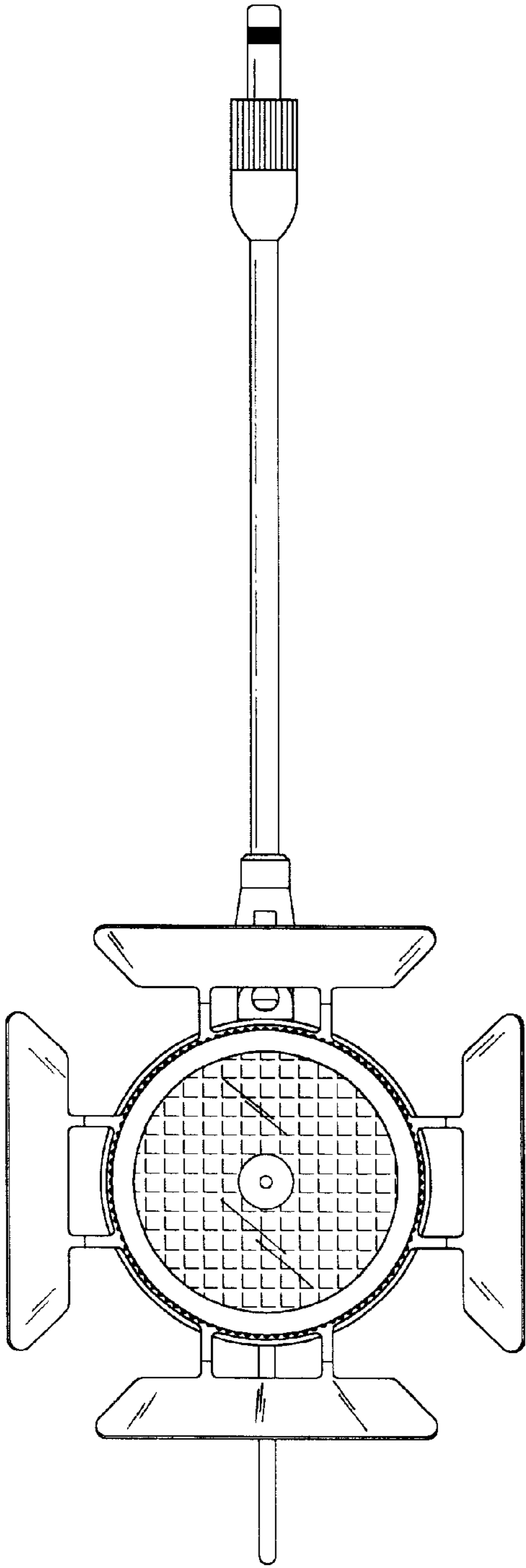


FIG. 2

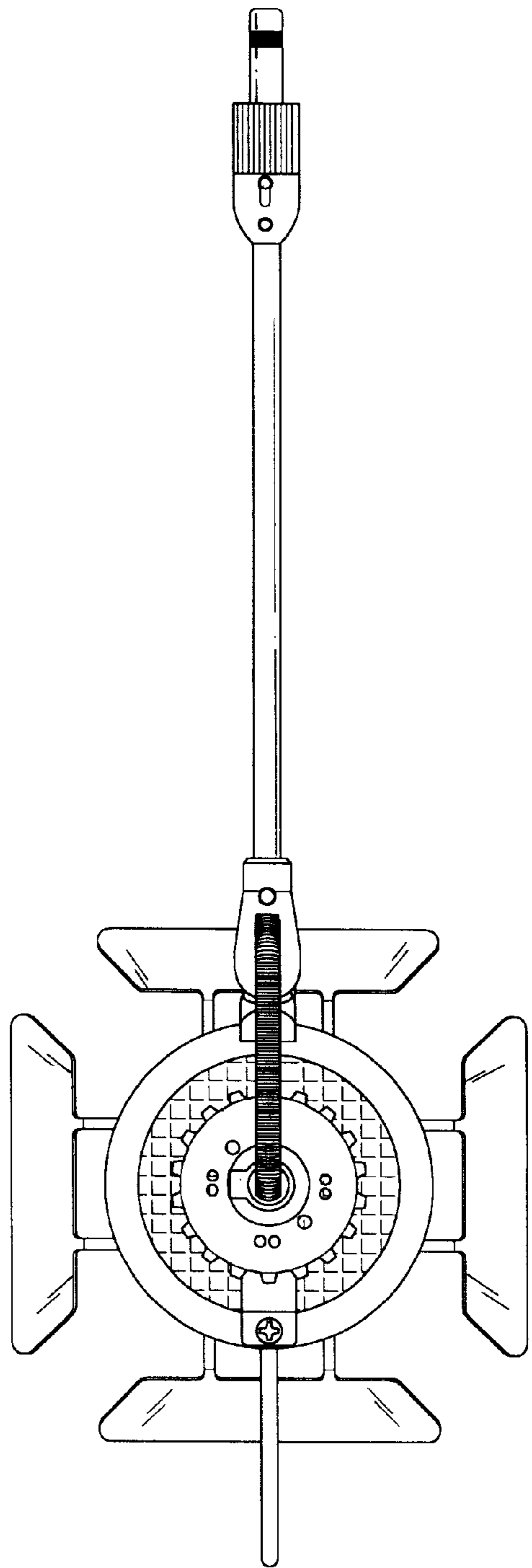


FIG. 3

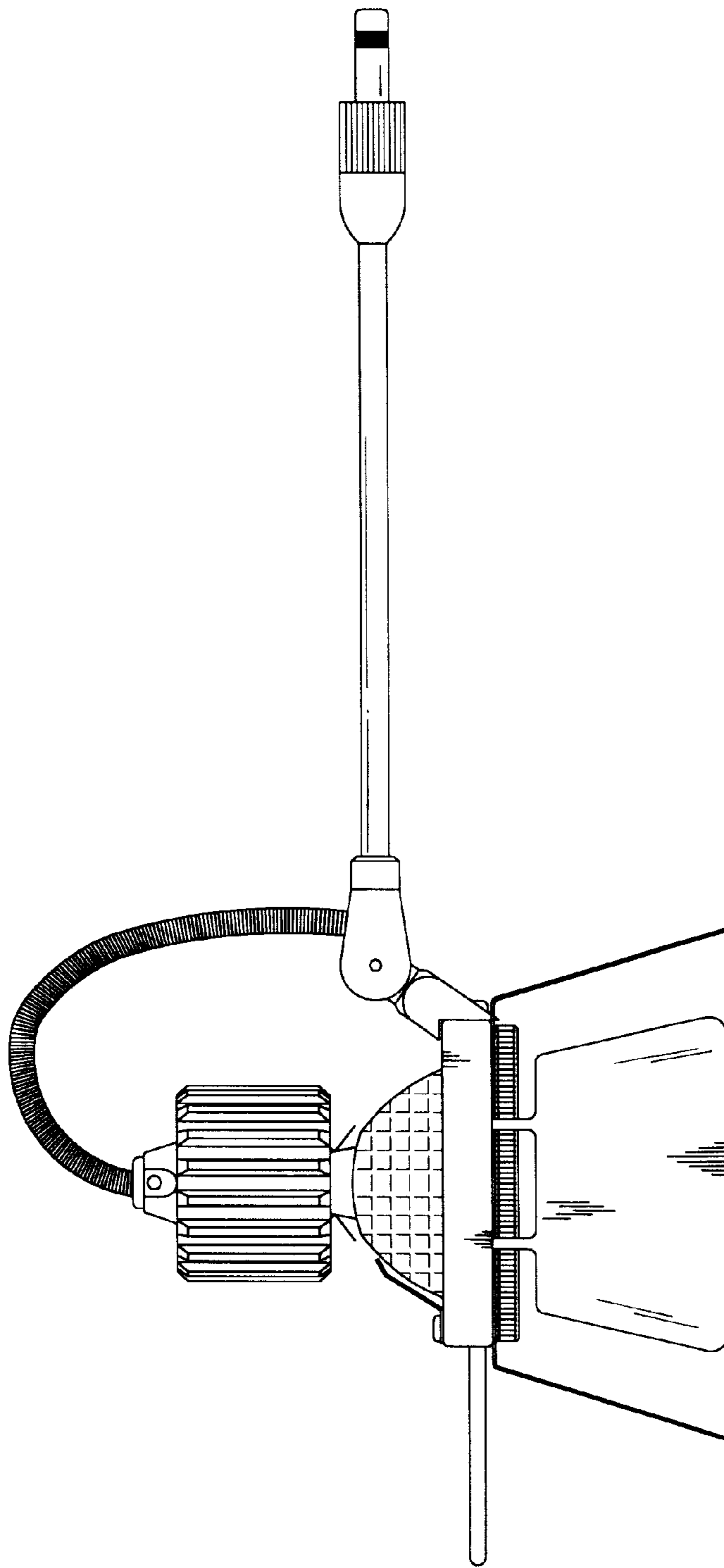


FIG. 4

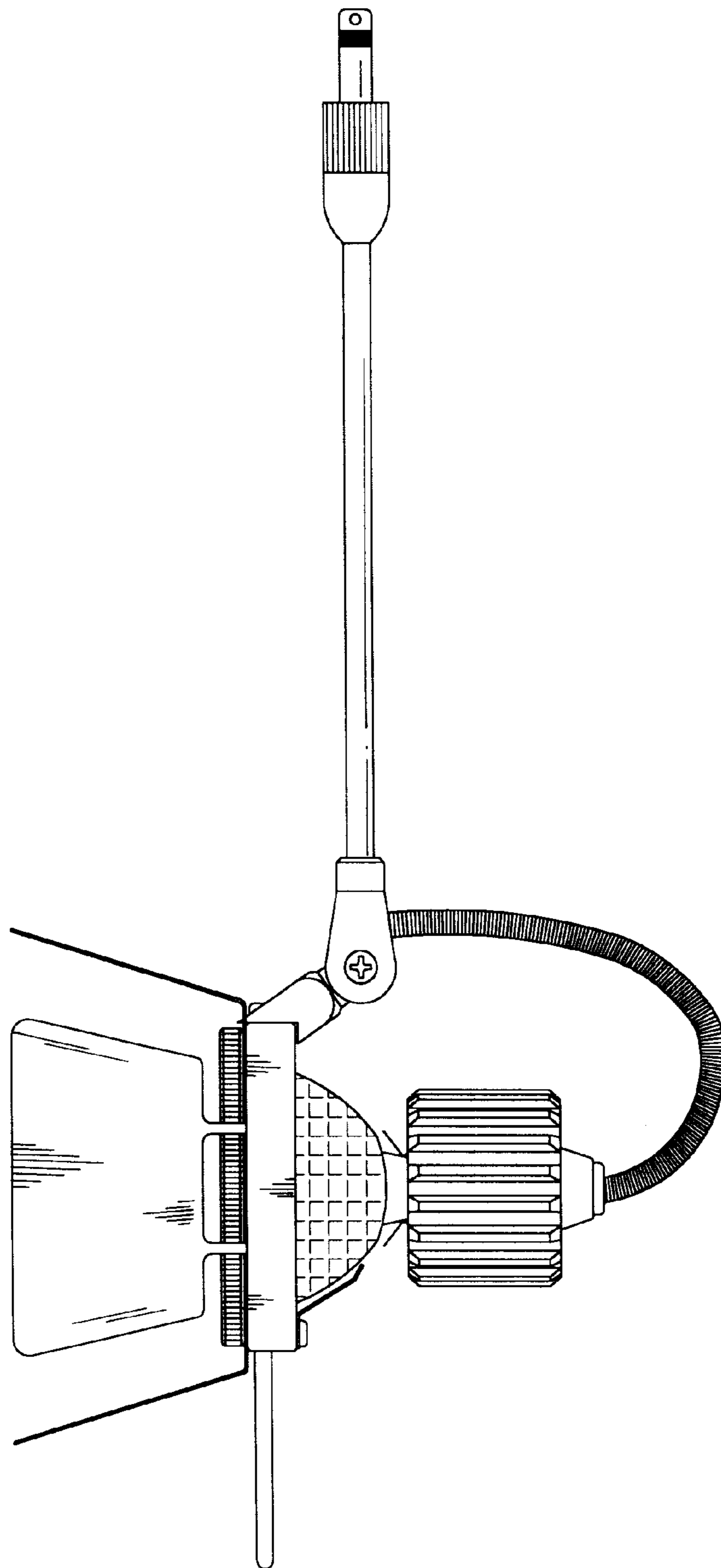


FIG. 5

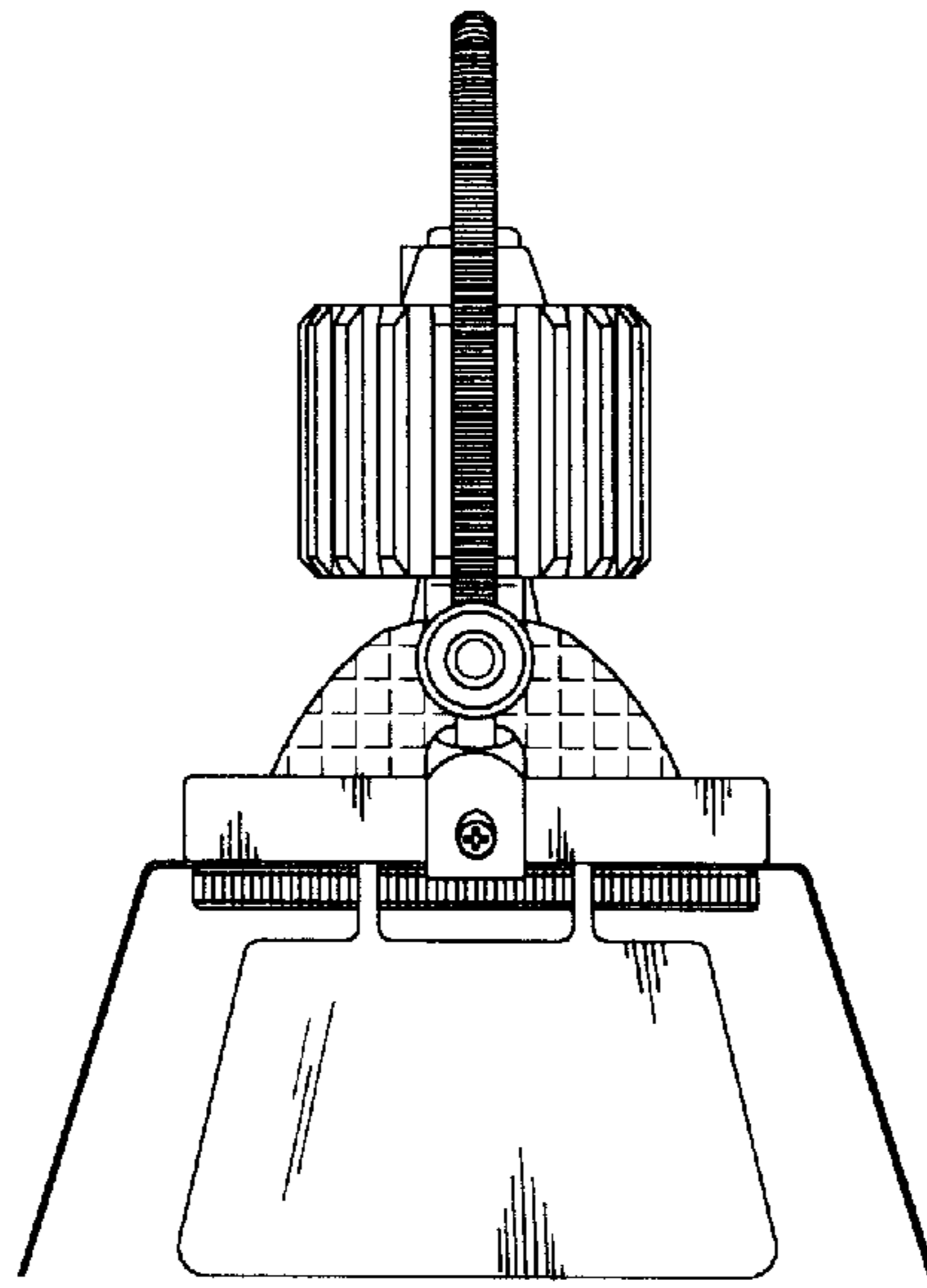


FIG. 6

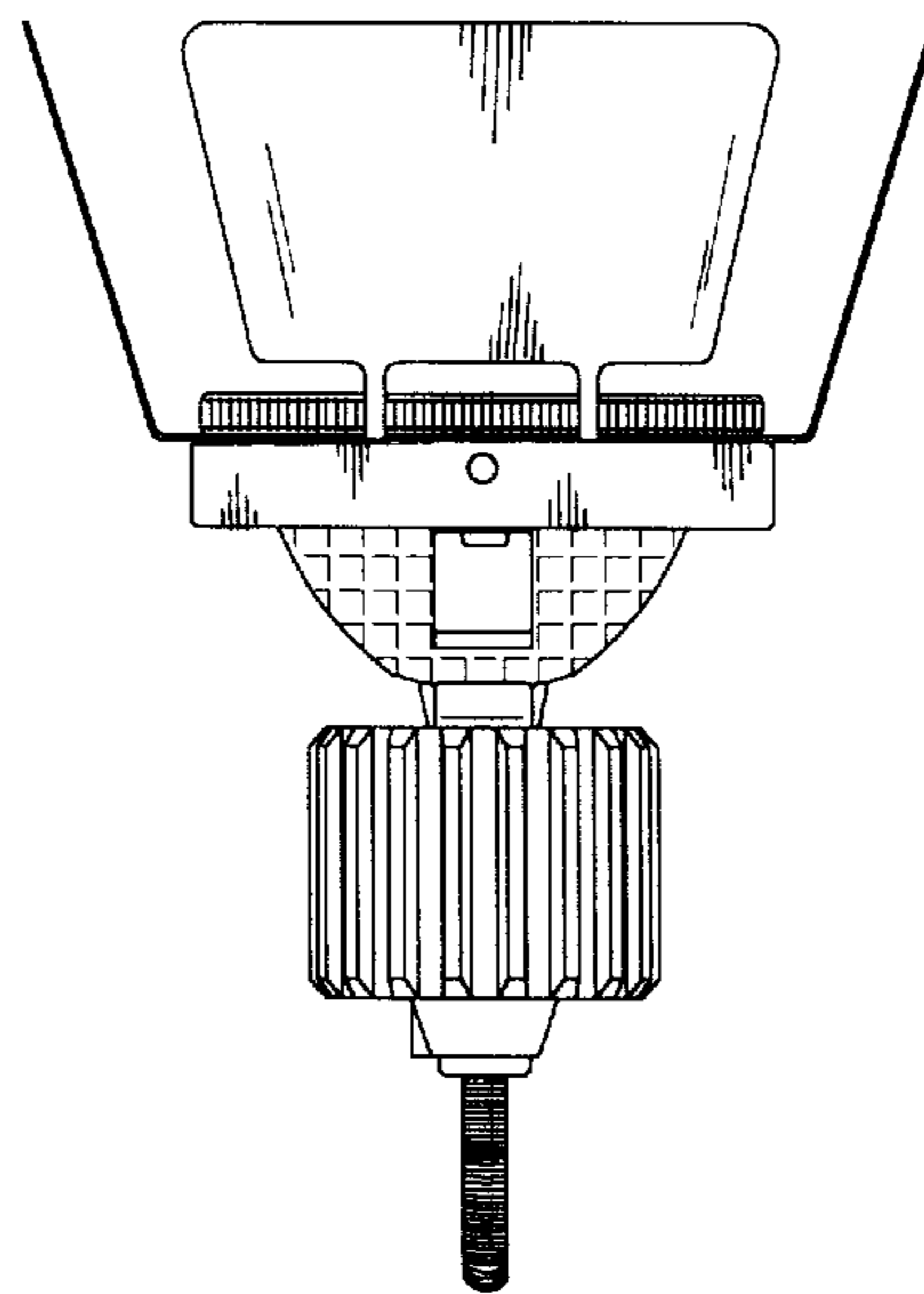


FIG. 7