



US00D437953S

(12) **United States Design Patent**
Donato

(10) **Patent No.:** **US D437,953 S**

(45) **Date of Patent:** **** Feb. 20, 2001**

(54) **TRACK LIGHTING FIXTURE**

OTHER PUBLICATIONS

(75) Inventor: **Anthony C. Donato**, Wellesley, MA (US)

Con-Tech lighting brochure, 1988, p. 8, lamp holder # CTL600.*

(73) Assignee: **Genlyte Thomas Group LLC**, Louisville, KY (US)

* cited by examiner

(**) Term: **14 Years**

Primary Examiner—Susan J. Lucas

(74) *Attorney, Agent, or Firm*—Middleton Reutlinger; Jeffrey A. Haeberlin; James R. Higgins

(21) Appl. No.: **29/102,635**

(57) **CLAIM**

(22) Filed: **Mar. 29, 1999**

I claim the ornamental design for a track lighting fixture, as shown.

(51) **LOC (7) Cl.** **26-05**

(52) **U.S. Cl.** **D26/63**

(58) **Field of Search** D26/60–66; 362/267, 362/269, 271, 272, 273, 276, 282, 287, 418, 419, 427, 296, 297, 301, 306

DESCRIPTION

(56) **References Cited**

FIG. 1 is a front isometric view of the track lighting fixture of the invention;

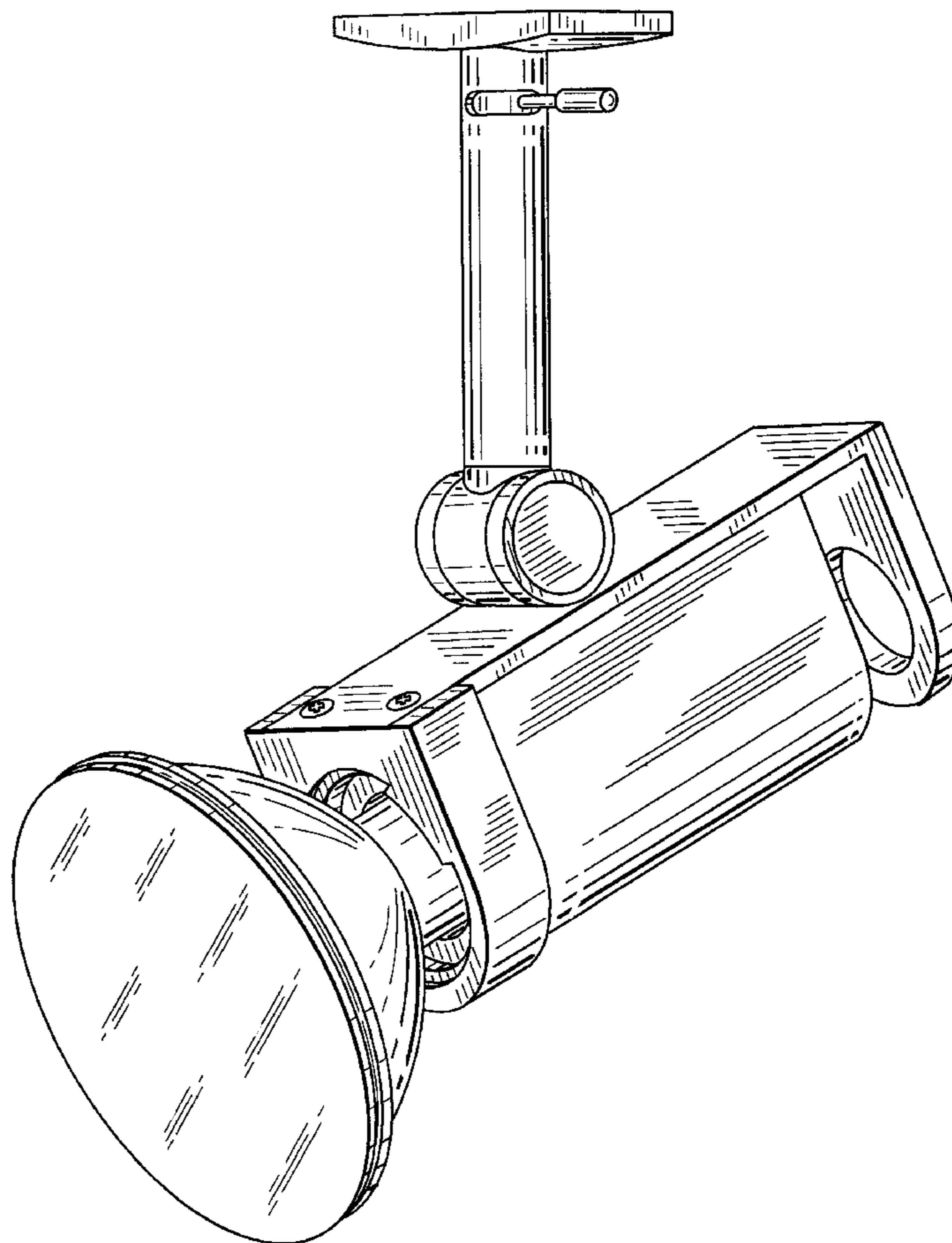
FIG. 2 is a rear isometric view of the track lighting fixture of FIG. 1; and,

FIG. 3 is a bottom plan view of the track lighting fixture of FIG. 1.

U.S. PATENT DOCUMENTS

5,548,500	*	8/1996	MacKay	362/427
5,988,130	*	11/1999	Giese	362/287
6,022,130	*	2/2000	Donato	362/428

1 Claim, 3 Drawing Sheets



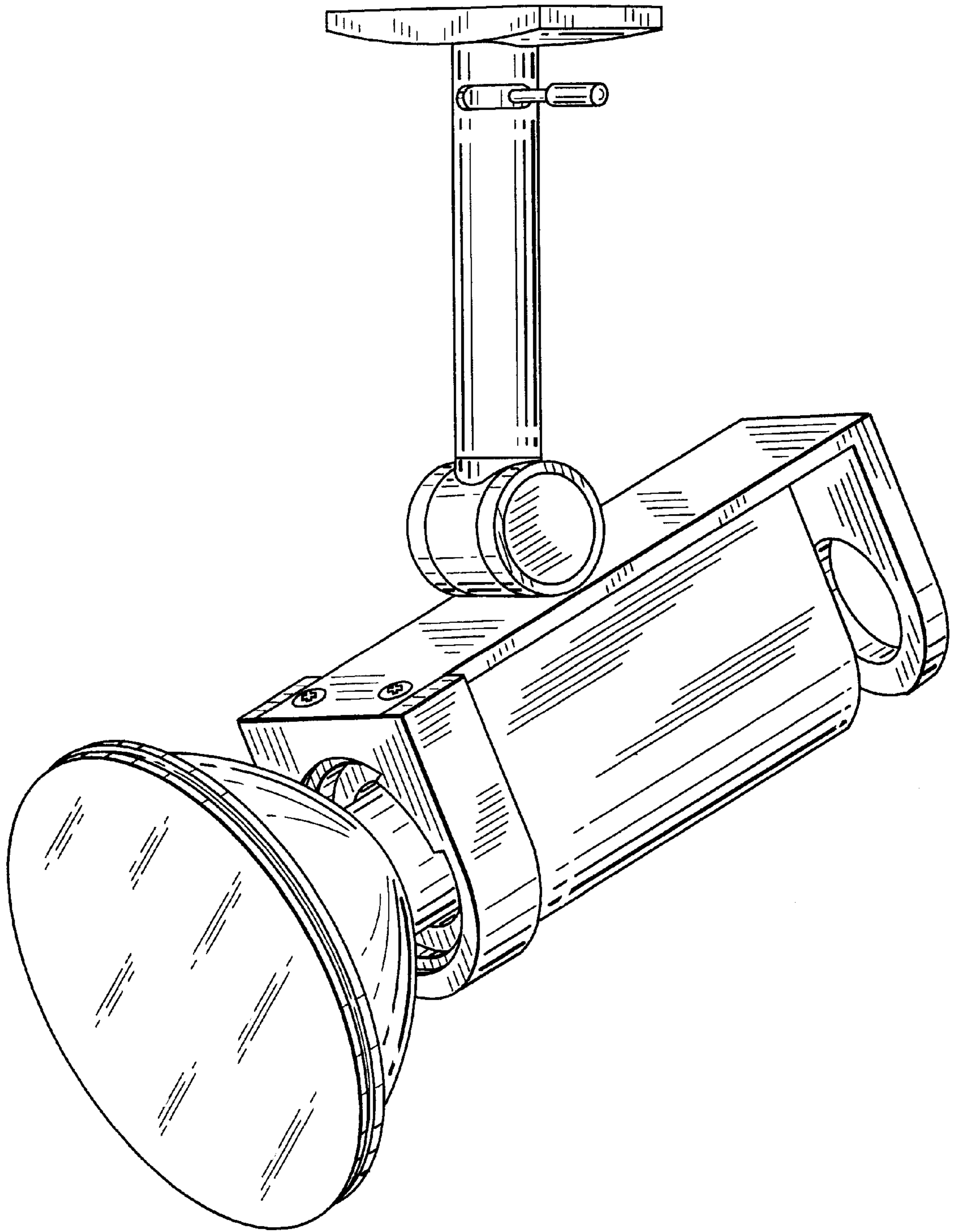


FIG. 1

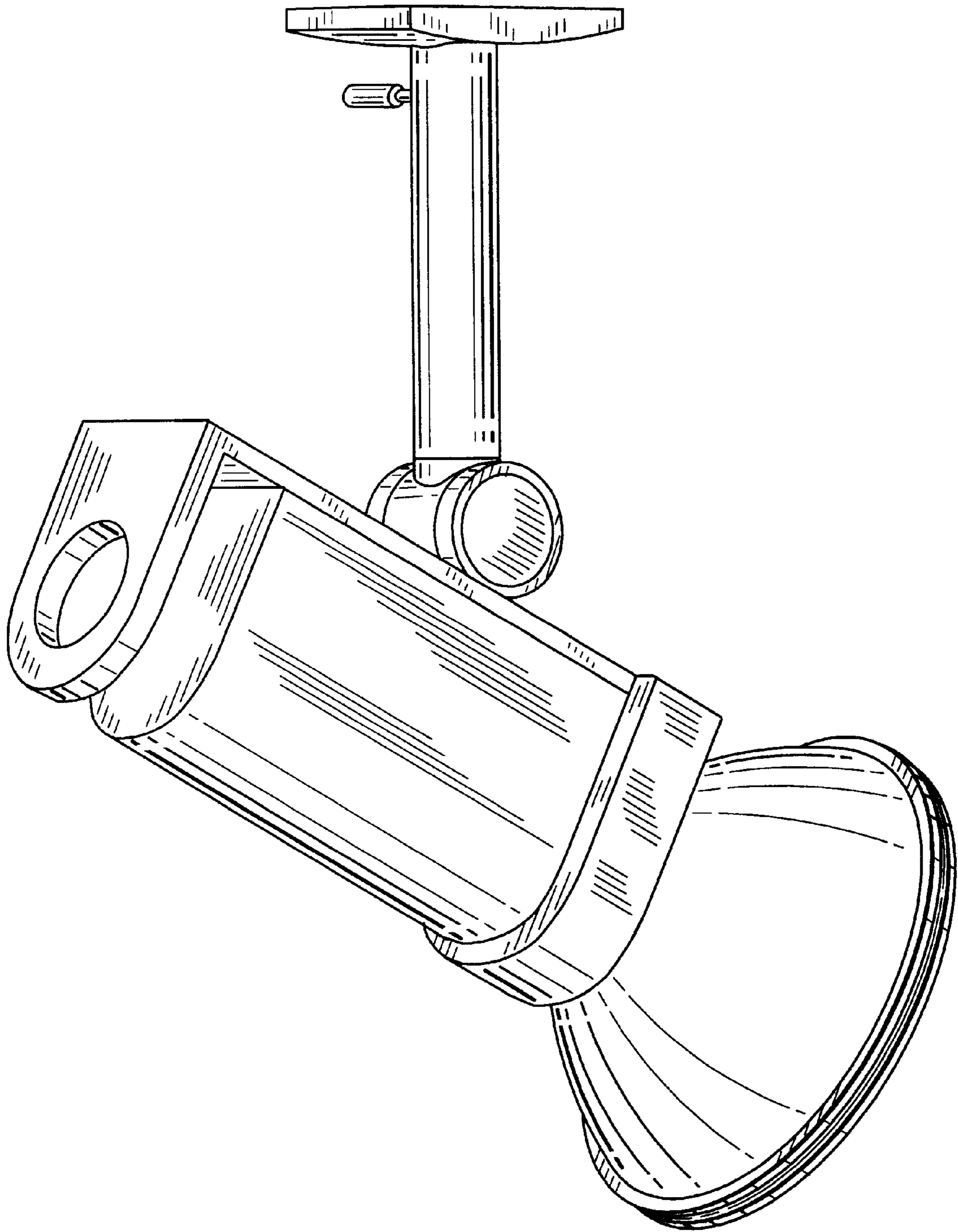


FIG. 2

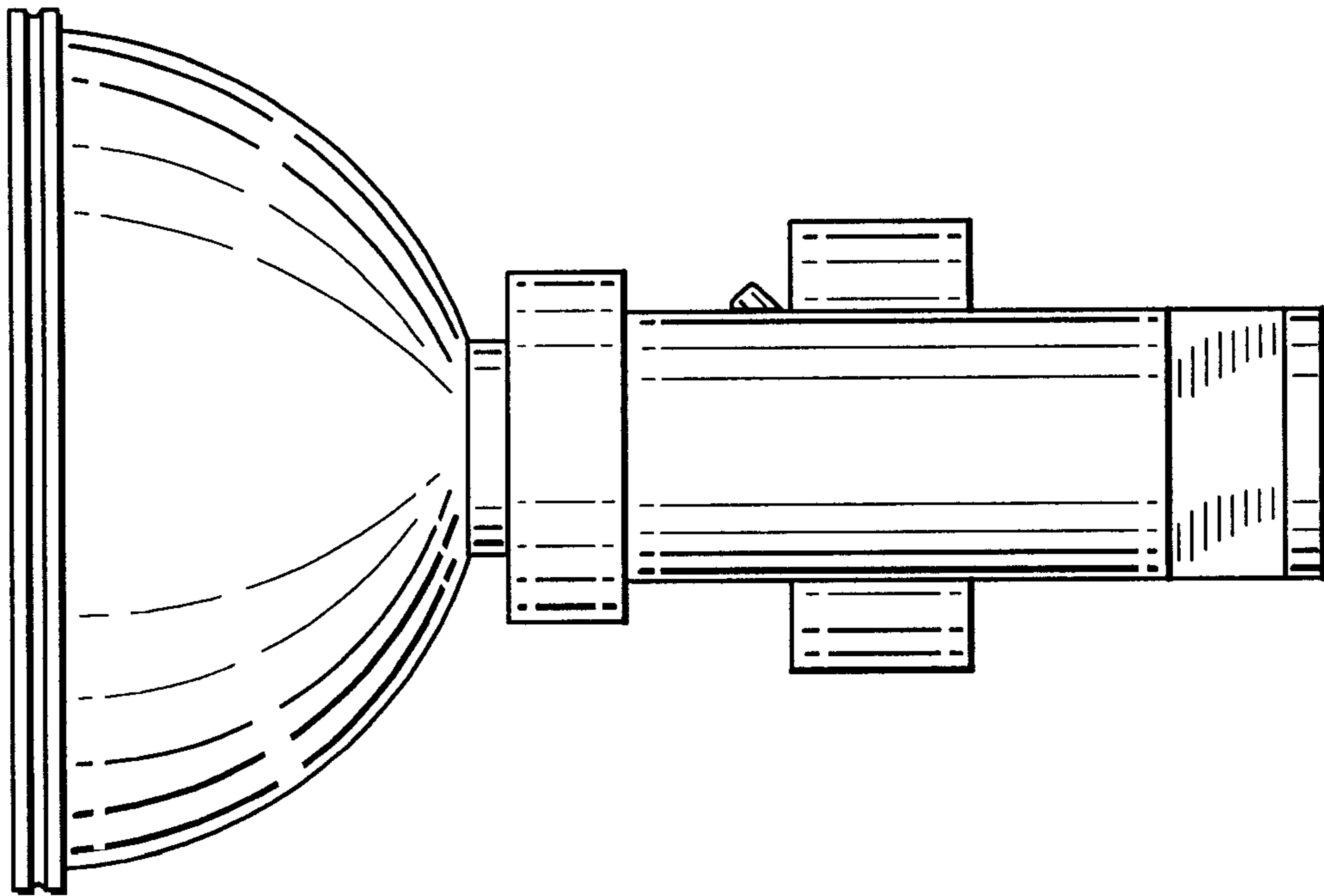


FIG. 3