



US00D437951S

(12) **United States Design Patent**  
**Yuen**

(10) **Patent No.:** **US D437,951 S**

(45) **Date of Patent:** **\*\* Feb. 20, 2001**

(54) **LANTERN**

(75) **Inventor:** **Se Kit Yuen, Kwun Tong (HK)**

(73) **Assignee:** **John Manufacturing Limited, Kowloon (HK)**

(\*\*) **Term:** **14 Years**

(21) **Appl. No.:** **29/126,032**

(22) **Filed:** **Jul. 7, 2000**

(30) **Foreign Application Priority Data**

Jan. 18, 2000 (HK) ..... 0010099

(51) **LOC (7) Cl.** ..... **26-02**

(52) **U.S. Cl.** ..... **D26/42**

(58) **Field of Search** ..... D26/37-50; 362/157,  
362/158, 183-208

(56) **References Cited**

**U.S. PATENT DOCUMENTS**

- D. 295,448 4/1988 Yuen .
- D. 343,467 1/1994 Yuen .

- D. 399,578 \* 10/1998 Yuen ..... D26/42
- D. 418,238 \* 12/1999 Offiler ..... D26/42
- D. 421,140 \* 2/2000 Yuen ..... D26/38
- 2,391,325 \* 12/1945 Maurette ..... D26/42

\* cited by examiner

*Primary Examiner*—Marcus A. Jackson

(74) *Attorney, Agent, or Firm*—Merchant & Gould P.C.

(57) **CLAIM**

The ornamental design for a lantern, as shown and described.

**DESCRIPTION**

FIG. 1 is a front plan view of an embodiment of a lantern showing my new design;  
 FIG. 2 is a rear plan view thereof;  
 FIG. 3 is a left side plan view thereof;  
 FIG. 4 is a right side plan view thereof;  
 FIG. 5 is a top plan view thereof;  
 FIG. 6 is bottom plan view thereof; and,  
 FIG. 7 is a figure similar to that shown in FIG. 1 in an alternative position.

**1 Claim, 2 Drawing Sheets**

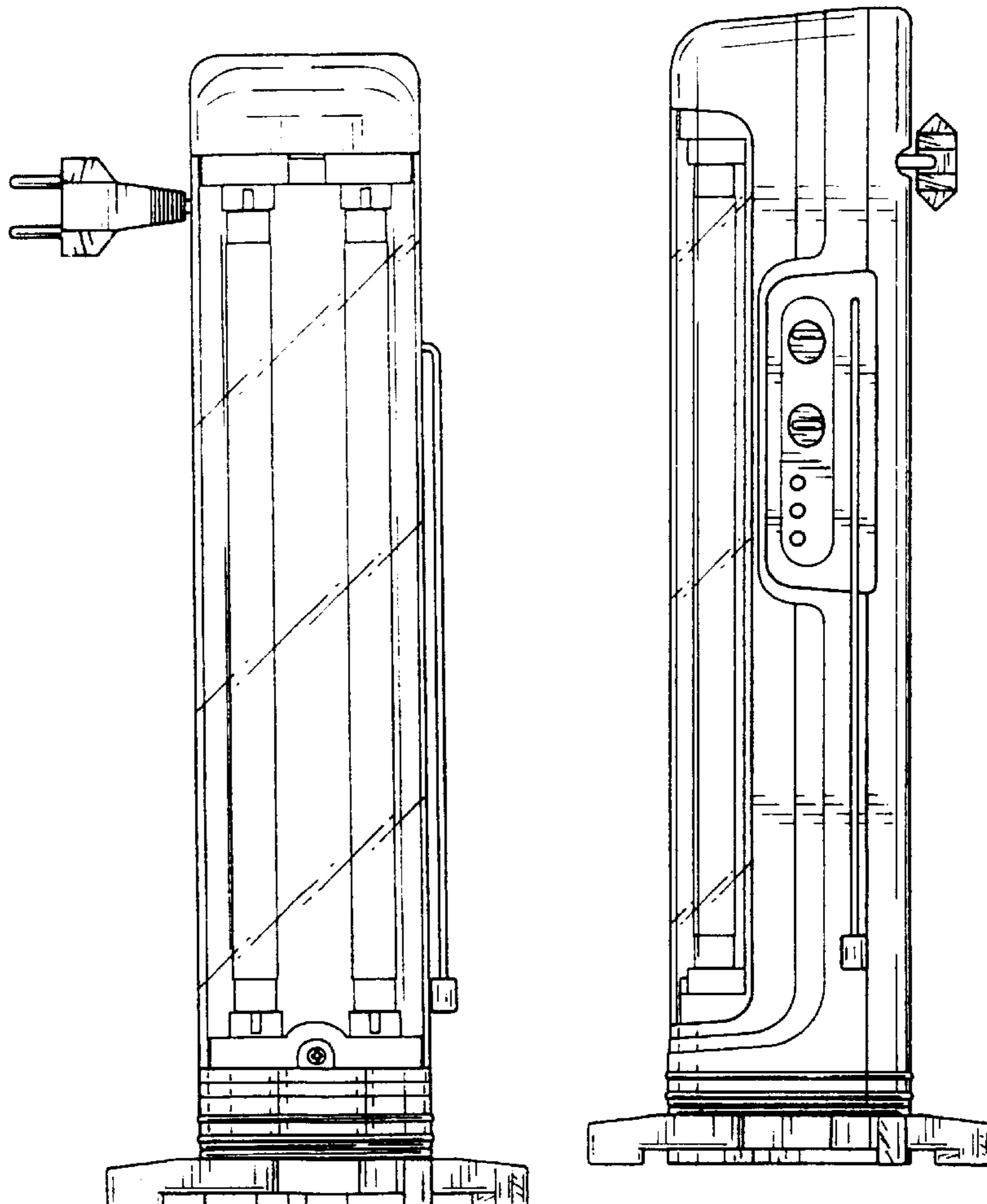


FIG. 4

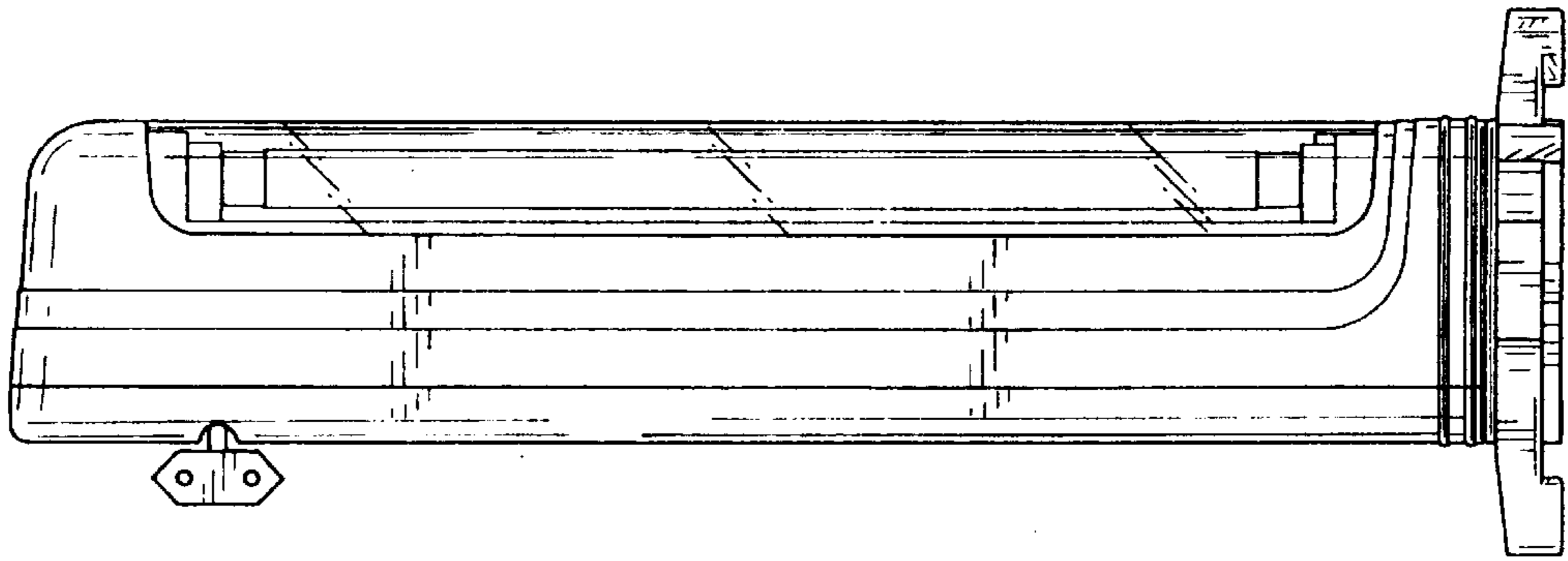


FIG. 3

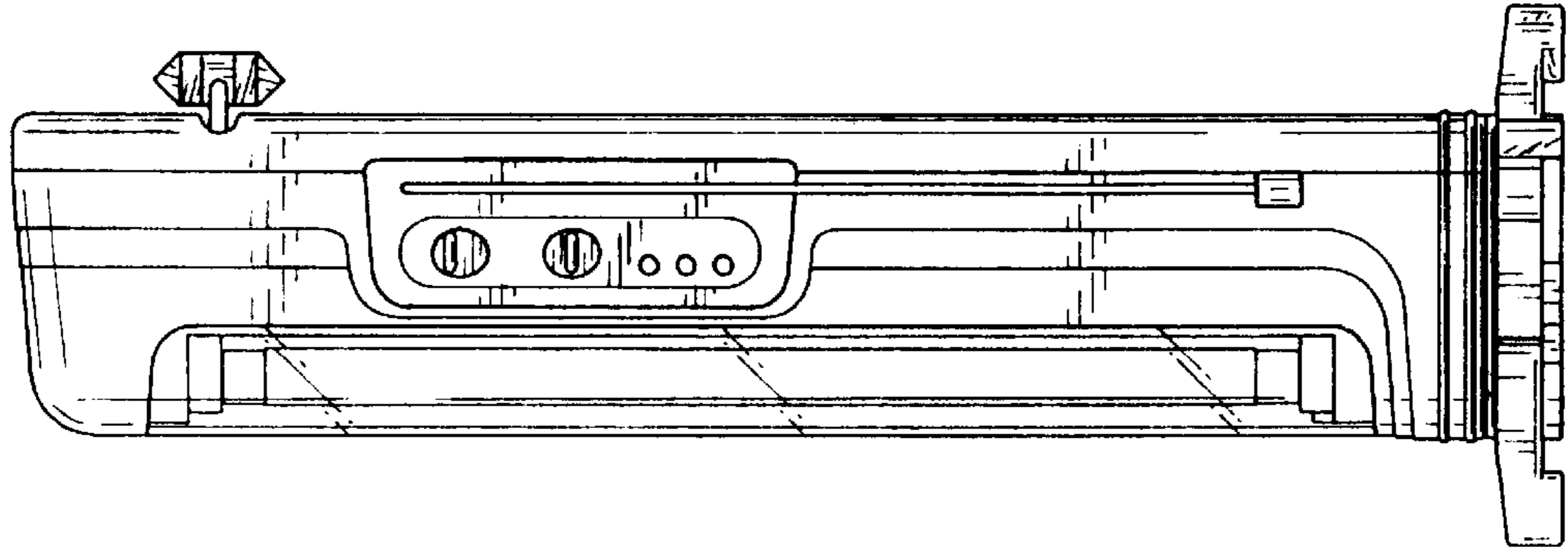


FIG. 2

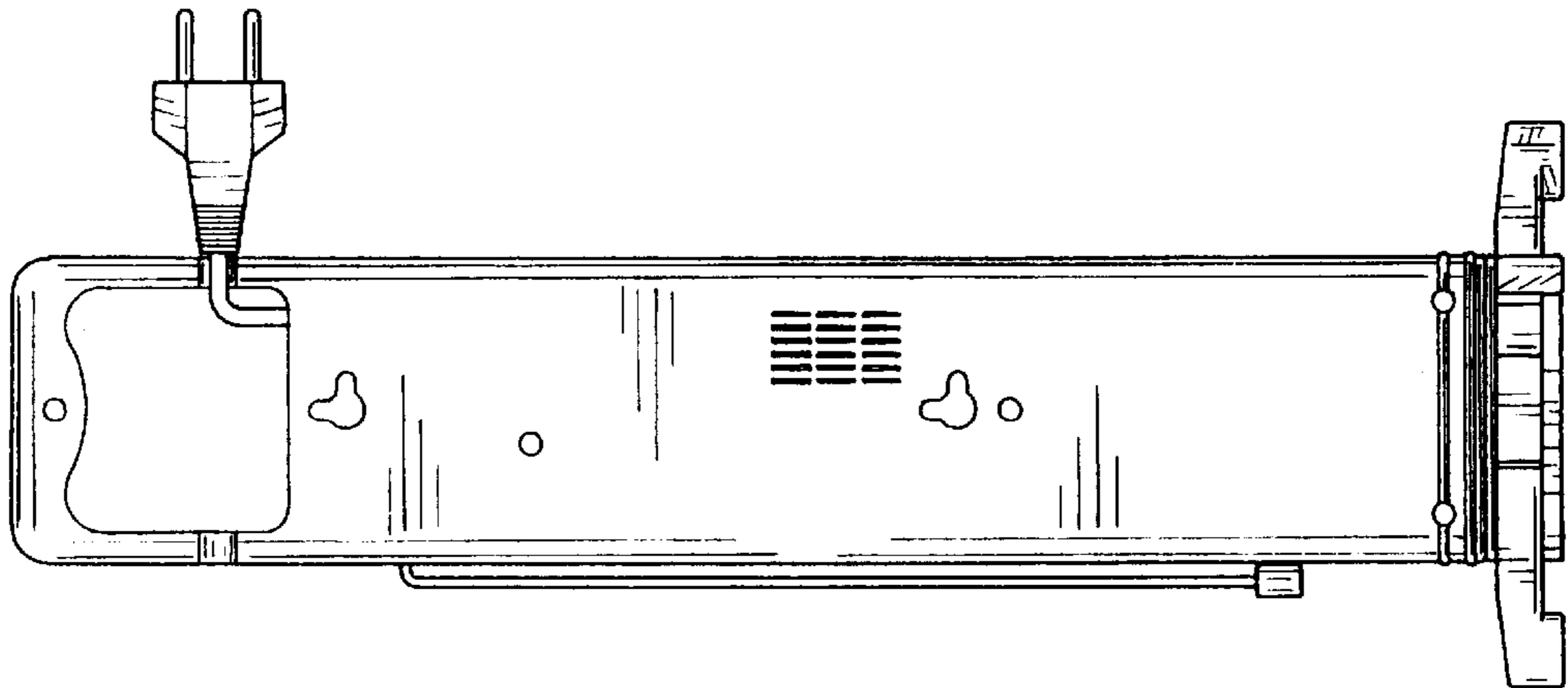


FIG. 1

