



US00D437944S

(12) **United States Design Patent**  
**Neuhofer, Jr.**

(10) **Patent No.:** **US D437,944 S**

(45) **Date of Patent:** **\*\* Feb. 20, 2001**

(54) **PROFILE TRACK FOR FASTENING MOLDINGS TO WALLS AND FLOORS**

3,098,274 \* 7/1963 Trafton ..... D25/199  
4,843,790 \* 7/1989 Taravella ..... 52/288.1

(76) **Inventor:** **Franz Neuhofer, Jr.**, Haslau 56,  
A-4893 Zell Am Moos (AT)

\* cited by examiner

(\*\*) **Term:** **14 Years**

*Primary Examiner*—Doris Clark

(74) *Attorney, Agent, or Firm*—Collard & Roe, P.C.

(21) **Appl. No.:** **29/095,243**

(57) **CLAIM**

(22) **Filed:** **Oct. 20, 1998**

The ornamental design for a profile track for fastening moldings to walls and floors, as shown and described.

(30) **Foreign Application Priority Data**

**DESCRIPTION**

Apr. 20, 1998 (AT) ..... MU 1848/98

(51) **LOC (7) Cl.** ..... **25-99**

FIG. 1 shows a perspective view of my design for a profile track for fastening moldings to walls and floors;

(52) **U.S. Cl.** ..... **D25/199**

FIG. 2 shows a left side view thereof;

(58) **Field of Search** ..... 52/288.1, 282.4;  
D8/349, 382, 394, 384; D25/164, 199,  
136

FIG. 3 shows a right side view thereof;

FIG. 4 shows a front view thereof;

FIG. 5 shows a rear view thereof;

FIG. 6 shows a top view thereof; and,

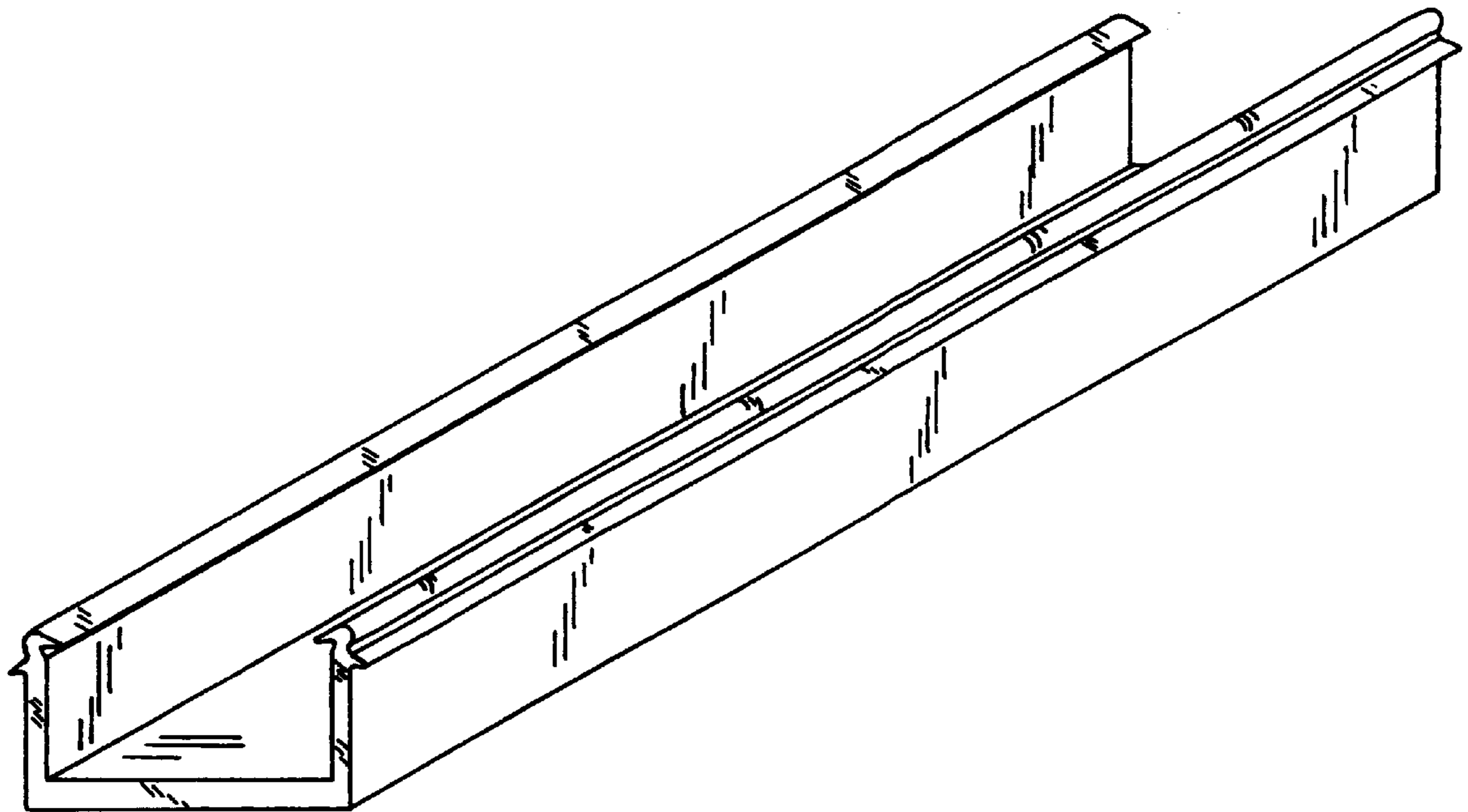
FIG. 7 shows a bottom view thereof.

(56) **References Cited**

**U.S. PATENT DOCUMENTS**

D. 356,645 \* 3/1995 Boer ..... D25/199

**1 Claim, 4 Drawing Sheets**



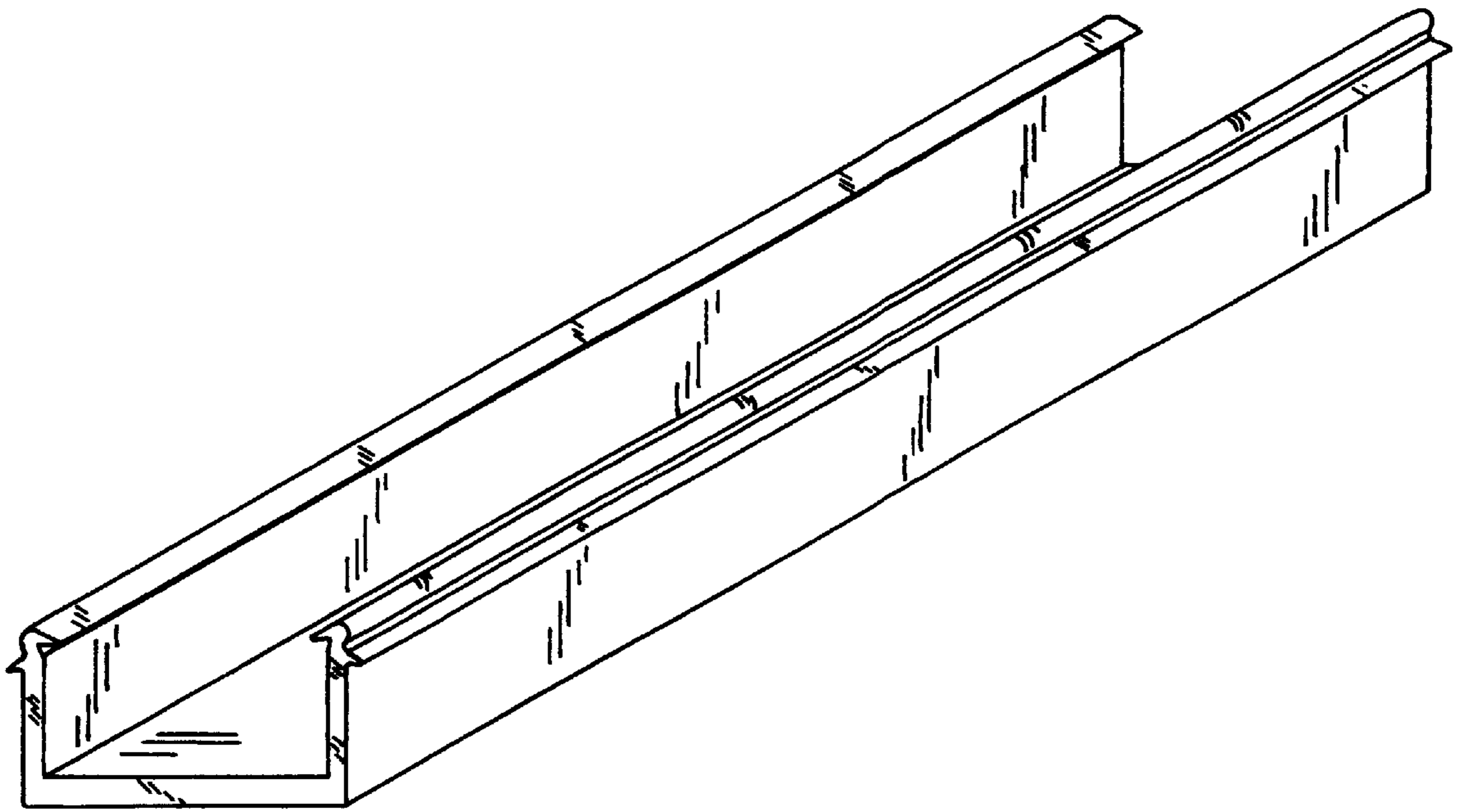


FIG. 1

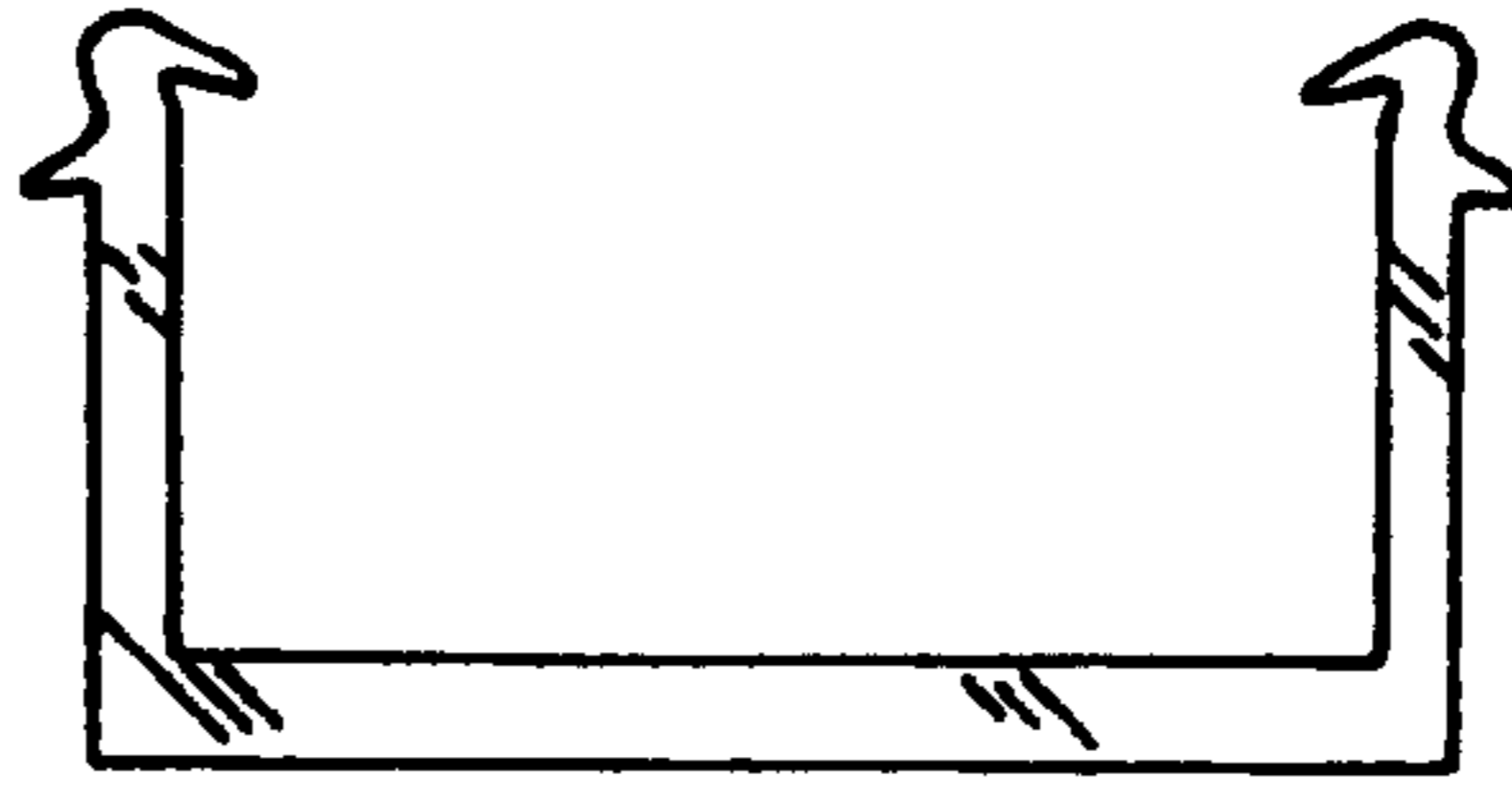


FIG. 2

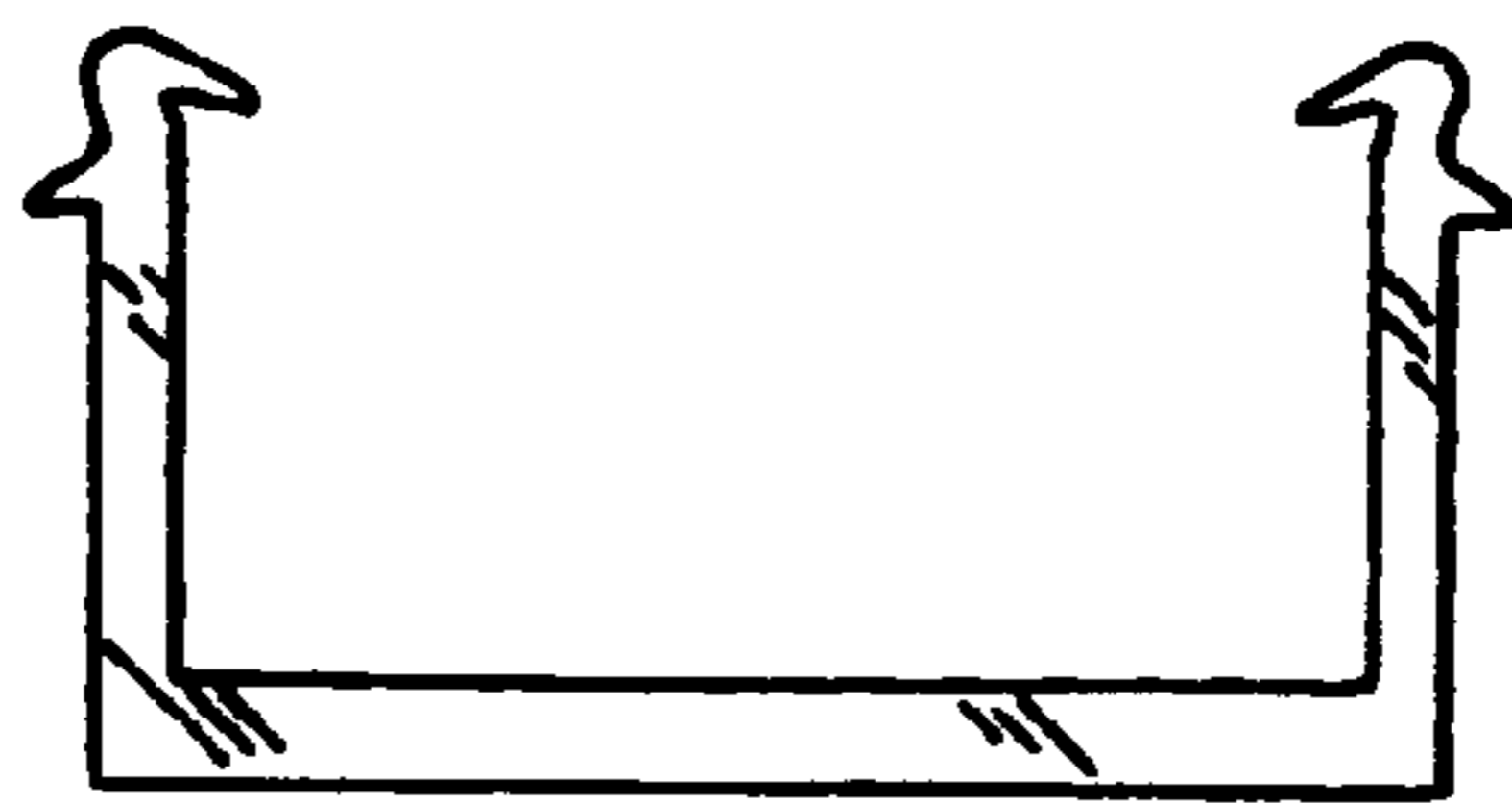


FIG. 3

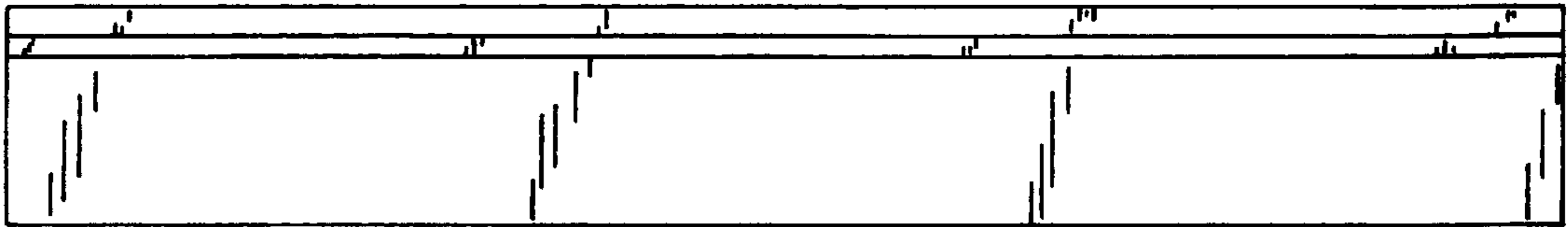


FIG. 4

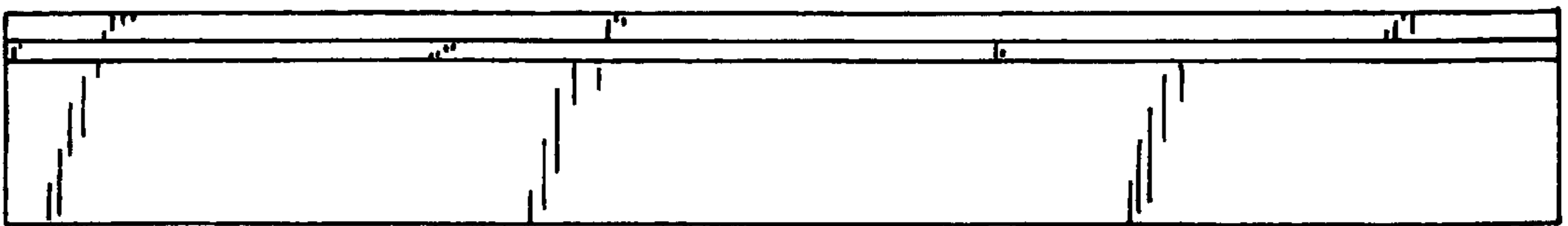


FIG. 5

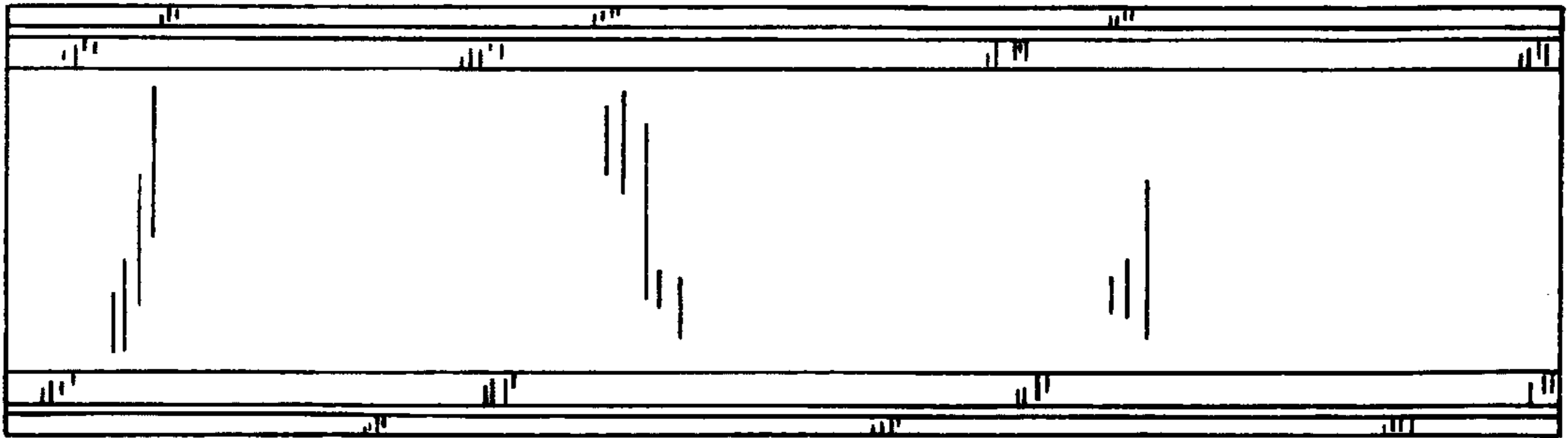


FIG. 6

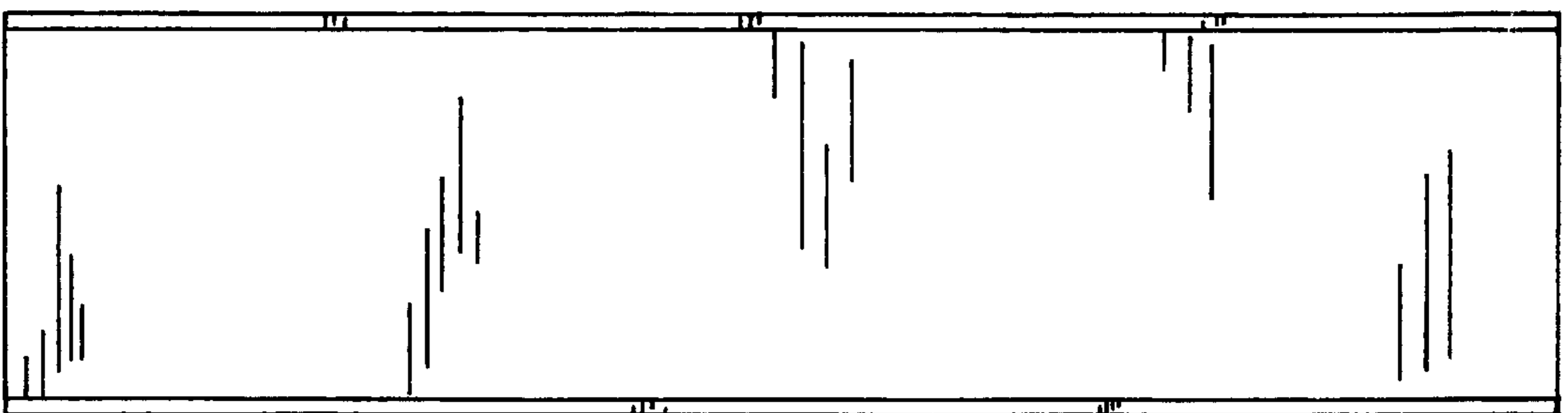


FIG. 7