



US00D437939S

(12) **United States Design Patent**
Hirosawa

(10) **Patent No.:** **US D437,939 S**

(45) **Date of Patent:** **** Feb. 20, 2001**

(54) **MASSAGING DEVICE**

5,711,758 * 1/1998 Tseng 601/127

(75) Inventor: **Toshio Hirosawa**, Kawagoe (JP)

* cited by examiner

(73) Assignee: **Matoba Electric Manufacturing Co., Ltd.**, Kawagoe (JP)

Primary Examiner—Stella Reid

(74) *Attorney, Agent, or Firm*—Intellectual Property Solutions, P.L.L.C.

(**) Term: **14 Years**

(57) **CLAIM**

(21) Appl. No.: **29/120,909**

The ornamental design for a massaging device, as shown and described.

(22) Filed: **Mar. 29, 2000**

(30) **Foreign Application Priority Data**

DESCRIPTION

Dec. 24, 1999 (JP) 11-35928

FIG. 1 is a perspective view of a massaging device, showing my new design;

(51) **LOC (7) Cl.** **28-03**

FIG. 2 is a right side elevational view thereof;

(52) **U.S. Cl.** **D24/215; D24/214**

FIG. 3 is a top plan view thereof; and

(58) **Field of Search** D24/215, 200,
D24/214; 601/119, 122, 123, 127, 128,
129, 130, 134, 137

FIG. 4 is a front elevational view thereof;

FIG. 5 is a bottom plane view thereof.

FIG. 6 is a left side elevational view thereof;

FIG. 7 is a rear elevational view thereof;

(56) **References Cited**

FIG. 8 shows a front elevational view thereof illustrating the massaging device in use; and,

U.S. PATENT DOCUMENTS

FIG. 9 shows another front elevational view thereof illustrating the massaging device in use.

1,710,051 * 4/1929 Giacomazzi 601/127

4,744,350 * 5/1988 Sato 601/119

5,458,561 * 10/1995 Schweisfurth 601/119

1 Claim, 9 Drawing Sheets

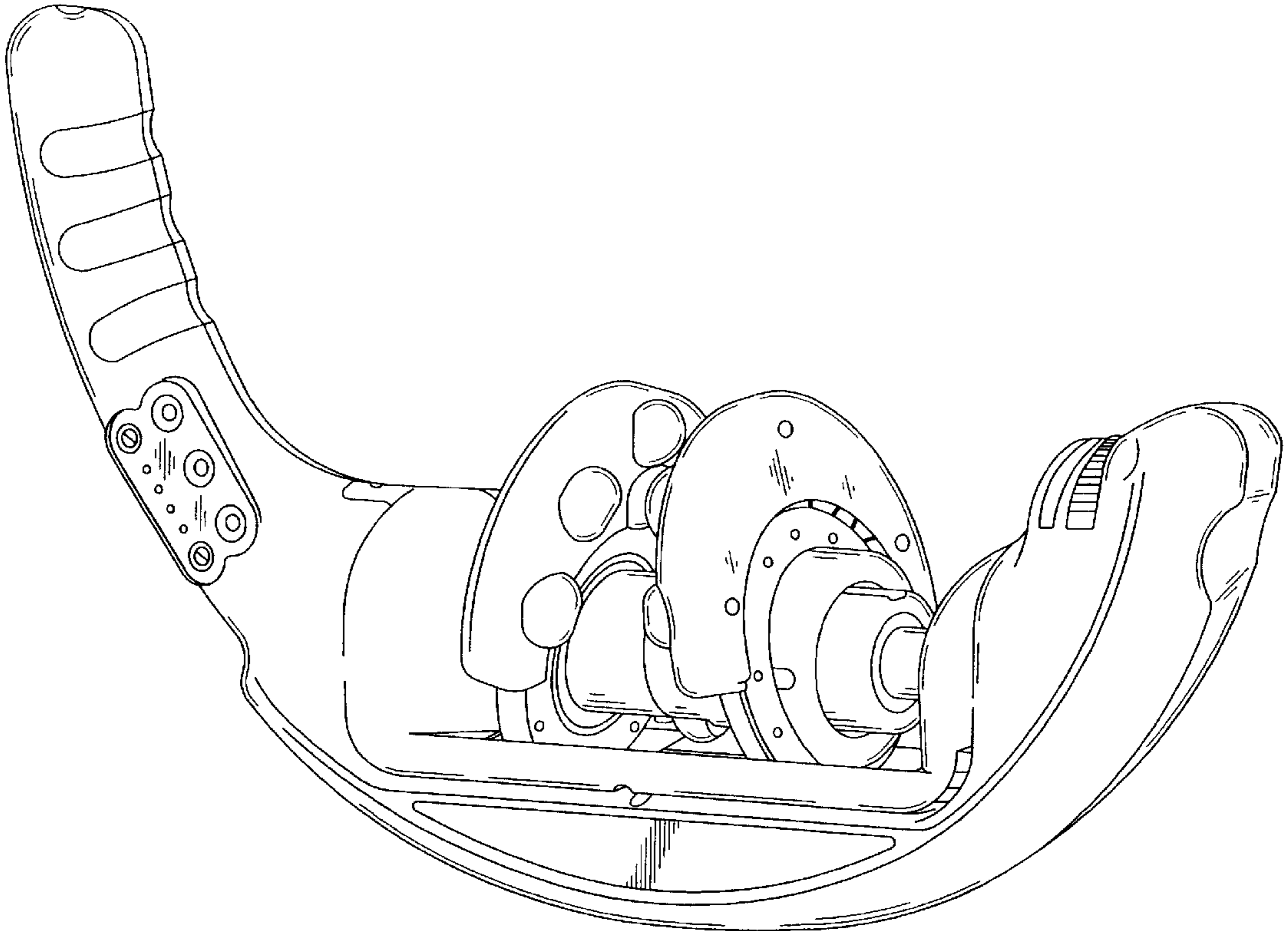


Fig. 1

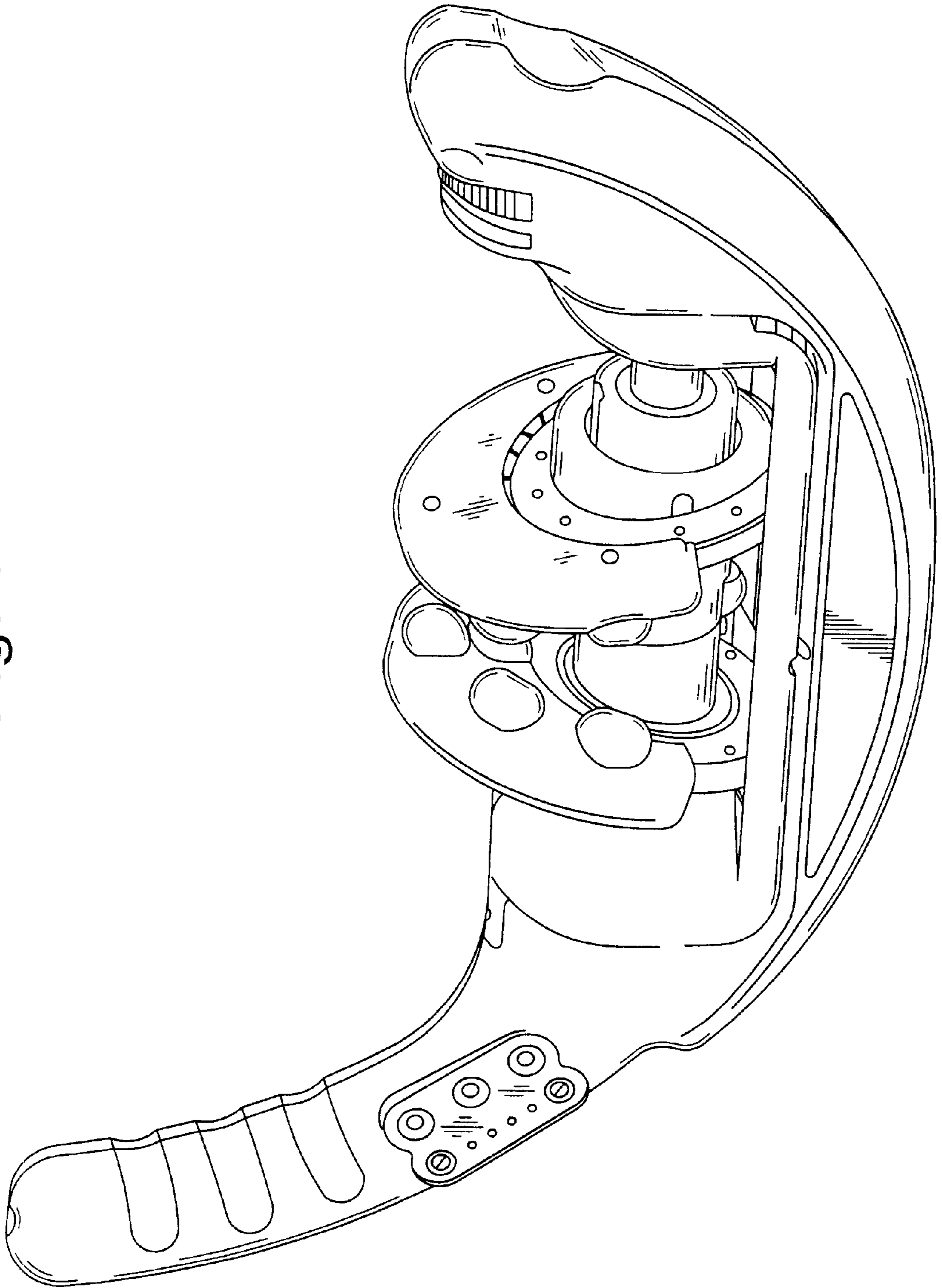


Fig. 2

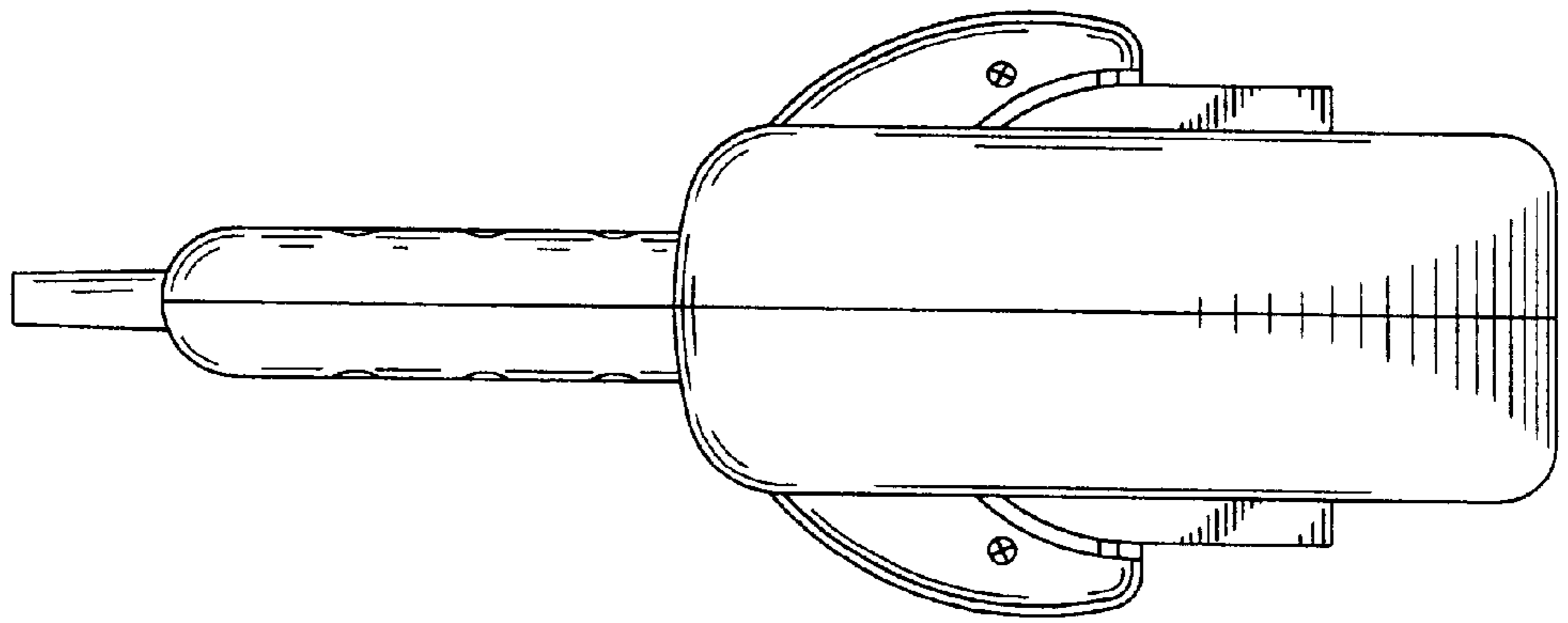


Fig. 3

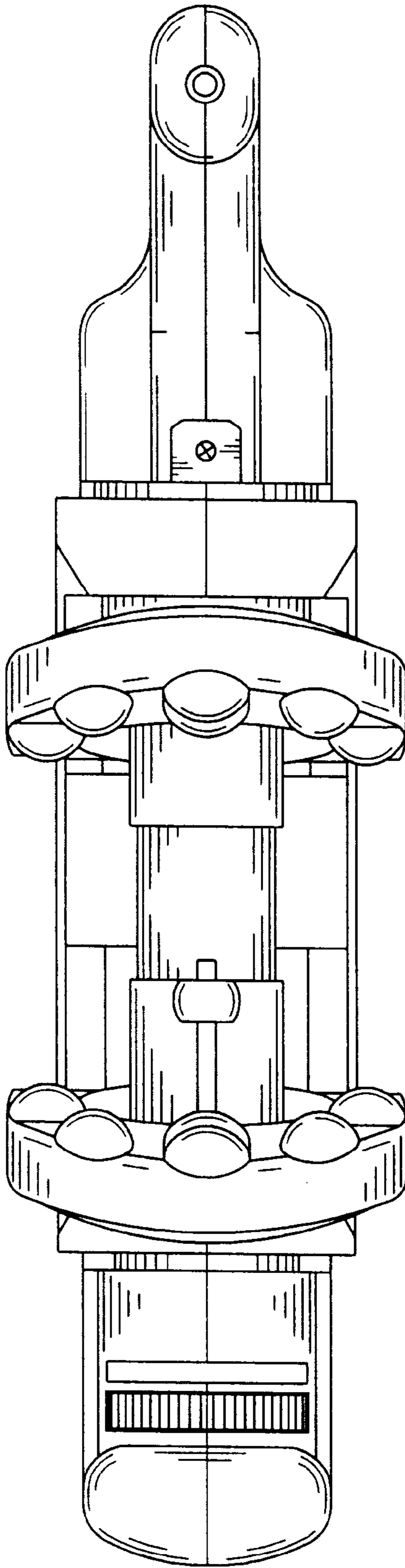


Fig. 4

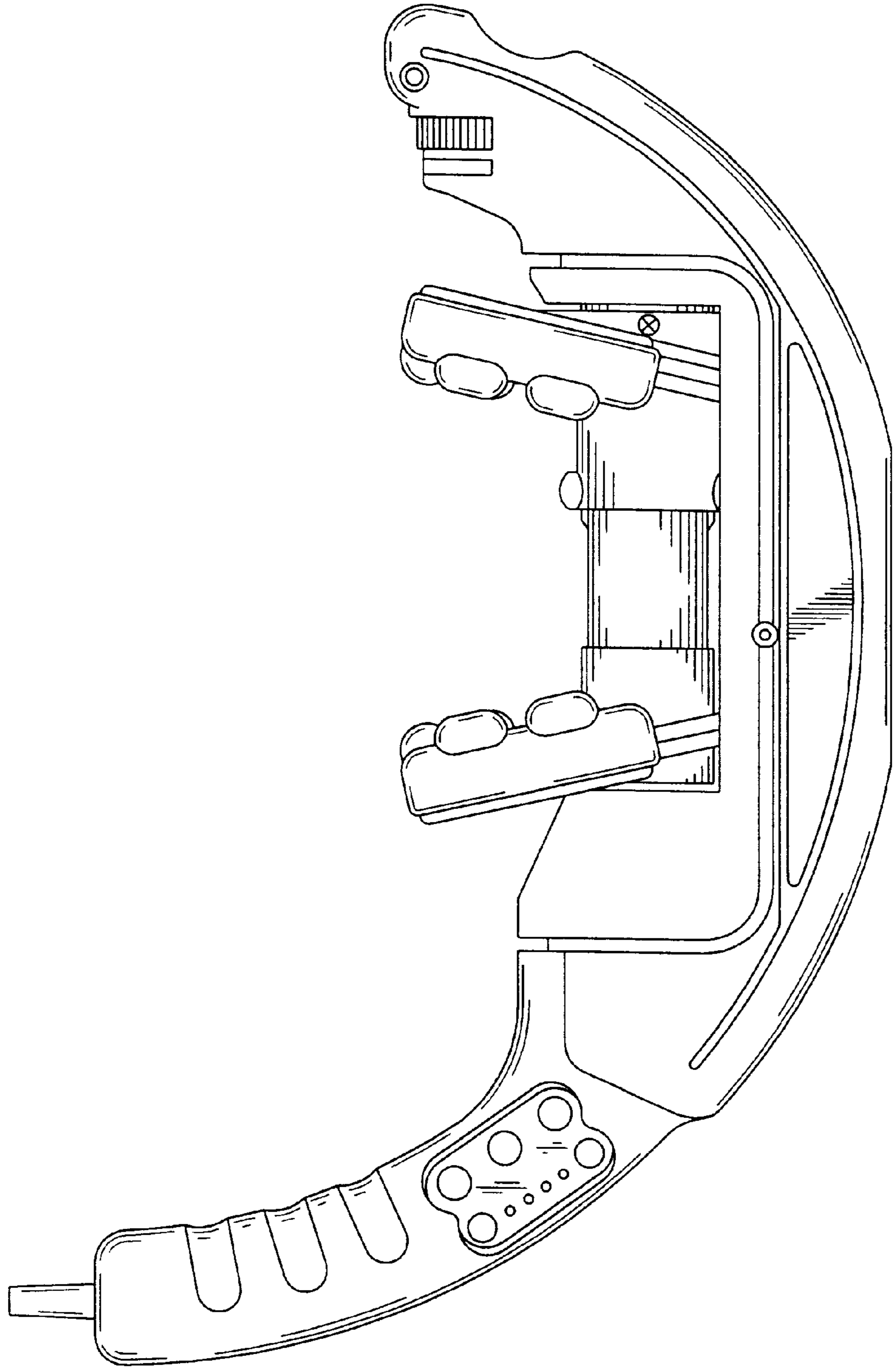


Fig. 5

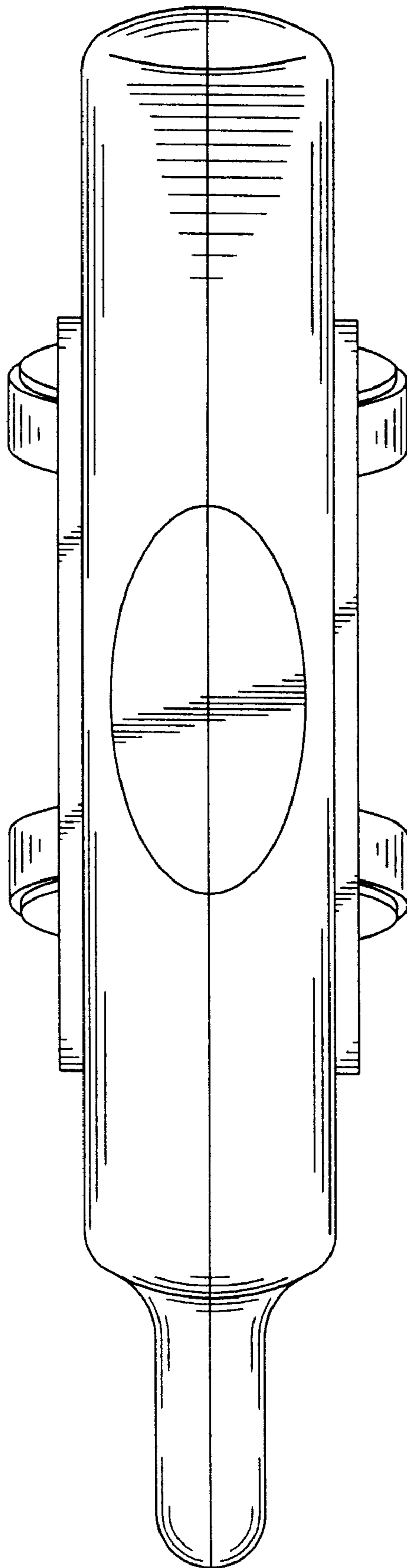


Fig. 6

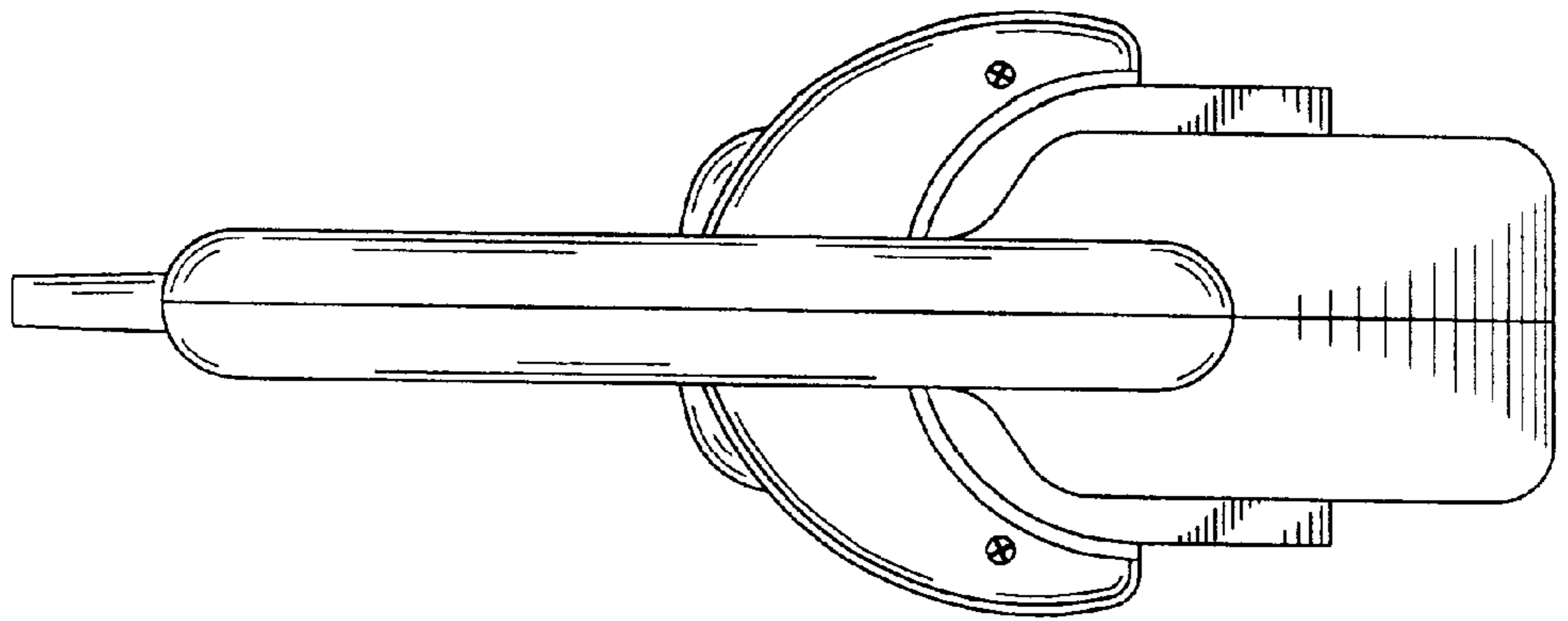


Fig. 7

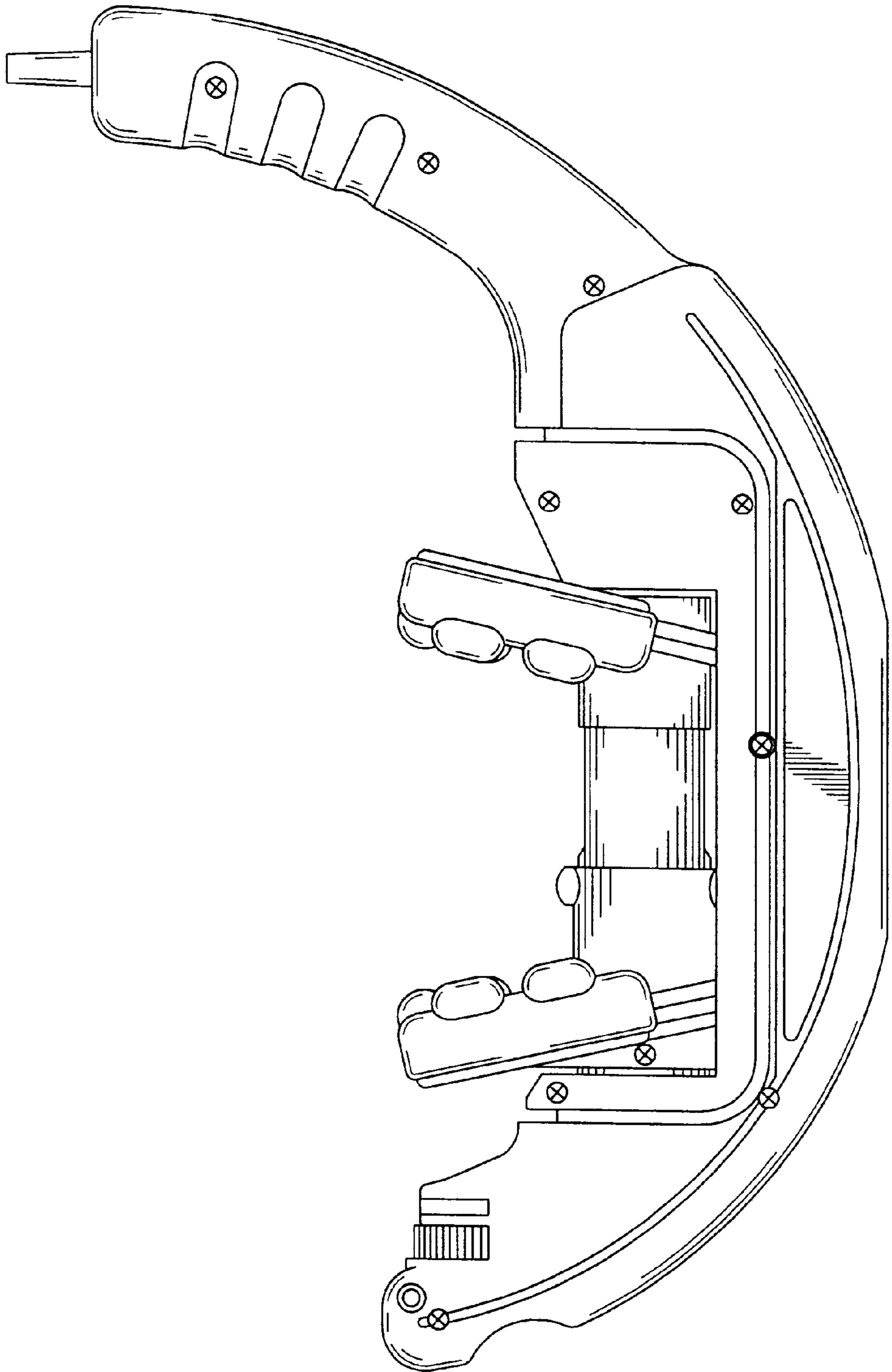


Fig. 8

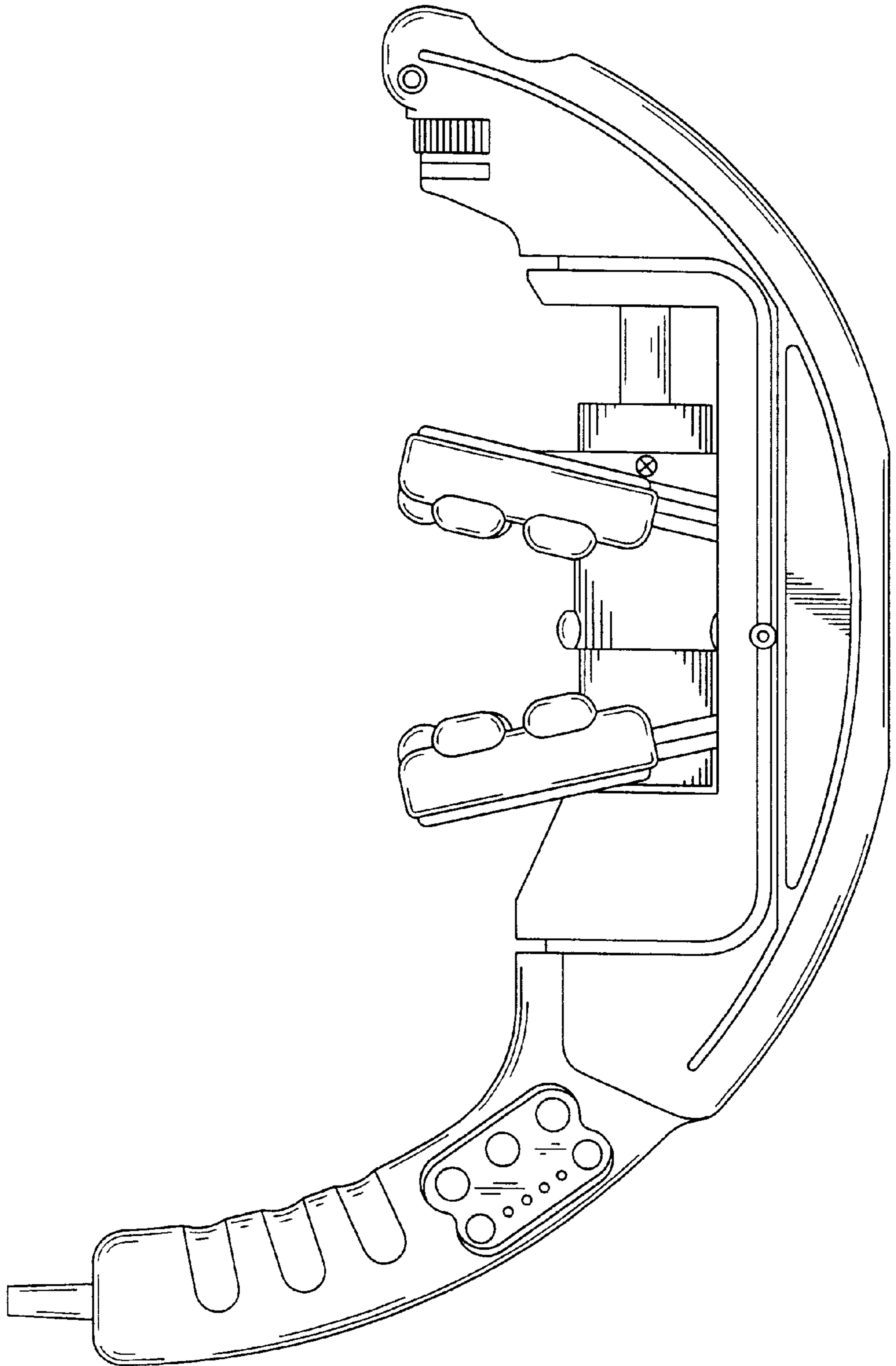


Fig. 9

