



US00D437937S

(12) **United States Design Patent**
Bottjer

(10) **Patent No.:** **US D437,937 S**

(45) **Date of Patent:** **** Feb. 20, 2001**

(54) **DISPOSABLE SURGICAL ELECTRODE**

OTHER PUBLICATIONS

(75) Inventor: **John R. Bottjer**, Dana Point, CA (US)

“Electrolase Disposable Tips from Birtcher” By: Birtcher Medical Systems of Irvine, California.

(73) Assignee: **Geiger Medical Technologies, Inc.**,
Monarch Beach, CA (US)

* cited by examiner

(**) Term: **14 Years**

Primary Examiner—Ian Simmons

(21) Appl. No.: **29/114,779**

(74) *Attorney, Agent, or Firm*—Stetina Brunda Garred & Brucker

(22) Filed: **Dec. 1, 1999**

(57) **CLAIM**

(51) **LOC (7) Cl.** **24-02**

The ornamental design for a disposable surgical electrode, as shown and described.

(52) **U.S. Cl.** **D24/144**

(58) **Field of Search** D24/144; 606/45,
606/41, 40, 49, 32, 46, 37, 39, 47; 433/116

DESCRIPTION

(56) **References Cited**

FIG. 1 is a front elevational view of the invention;
FIG. 2 is a right side elevational view thereof, the left side being a mirror-image;
FIG. 3 is a rear elevational view thereof; and,
FIG. 4 is a front elevational view thereof.

U.S. PATENT DOCUMENTS

D. 377,524	*	1/1997	Lipp	D24/144
4,785,807		11/1988	Blanch	.	
5,382,162	*	1/1995	Sharp	433/116
5,951,548	*	9/1999	DeSisto et al.	606/42

1 Claim, 1 Drawing Sheet

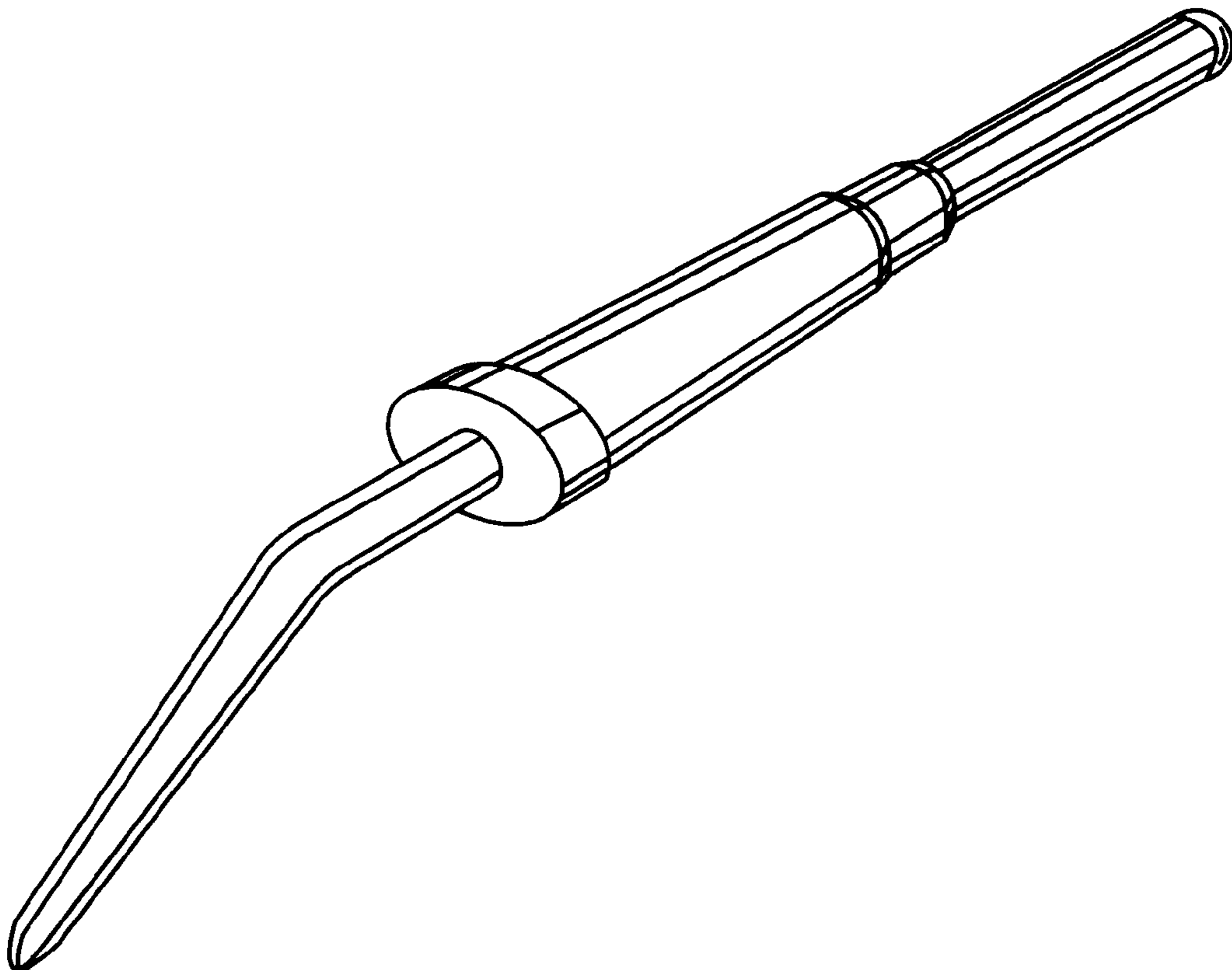


Fig. 1

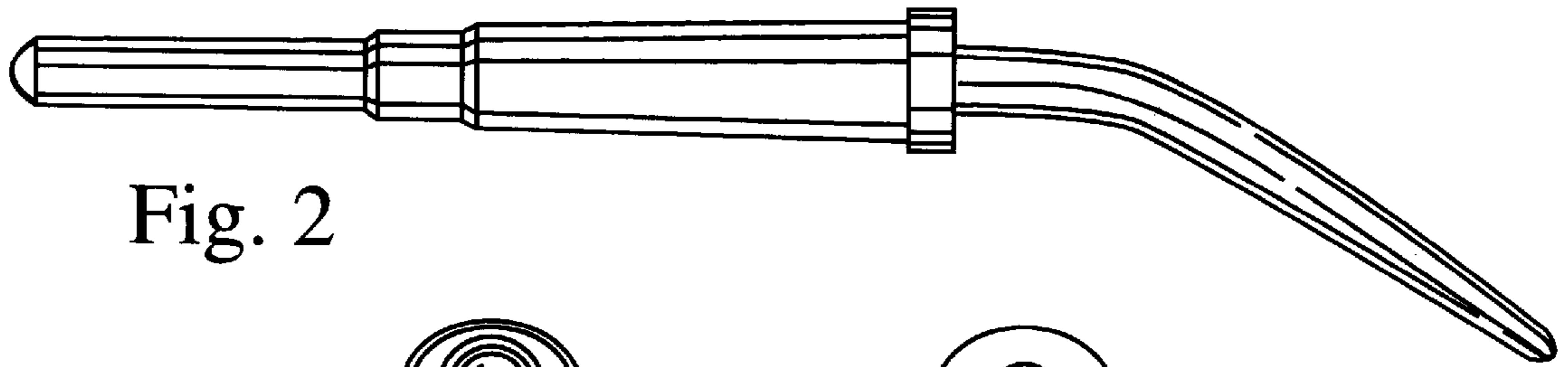
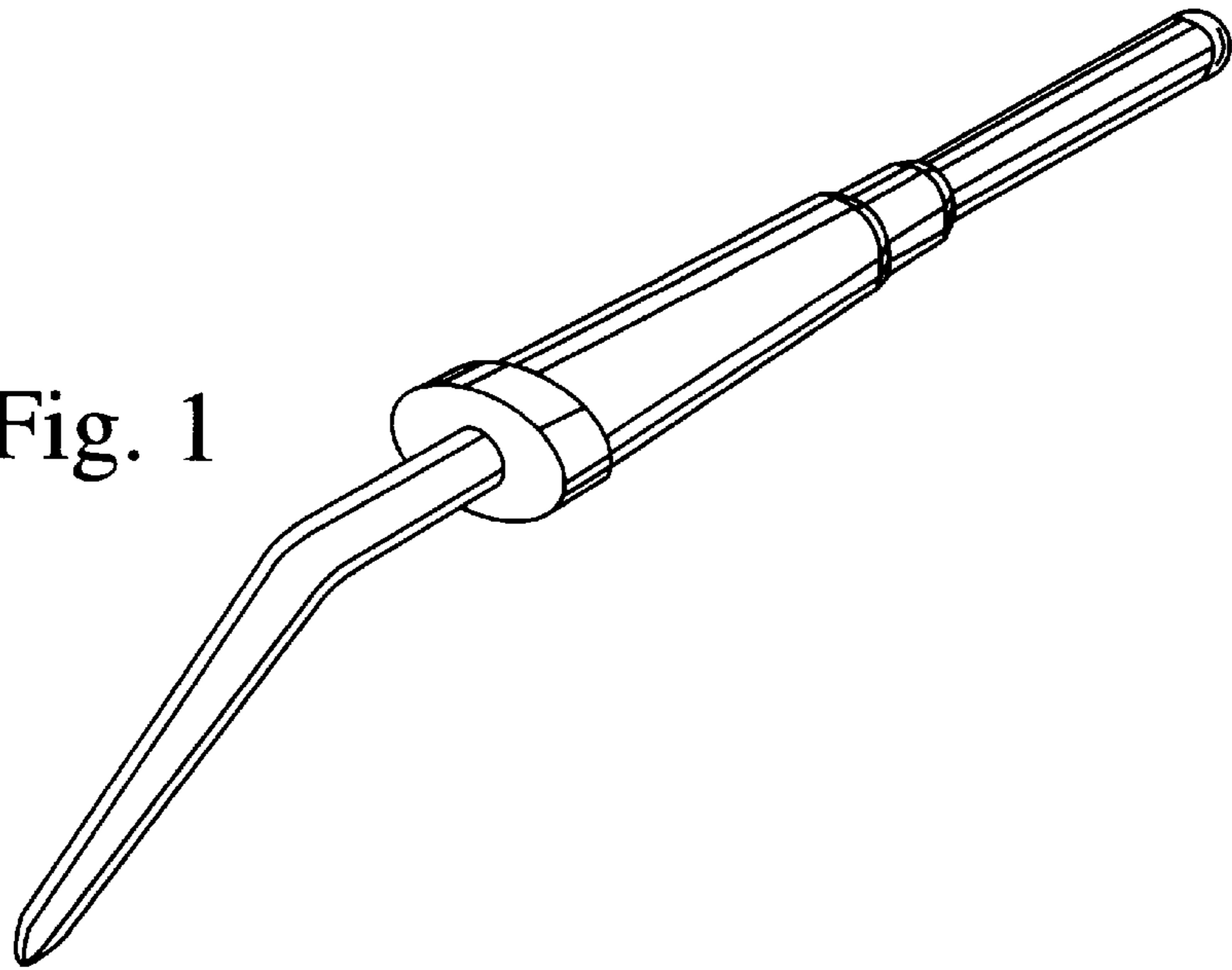


Fig. 2

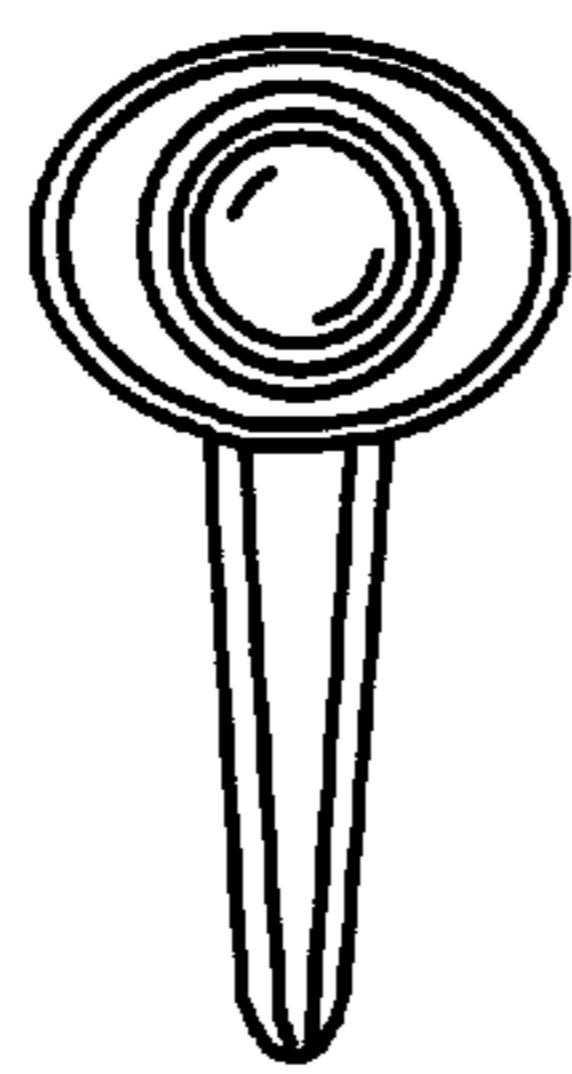


Fig. 3

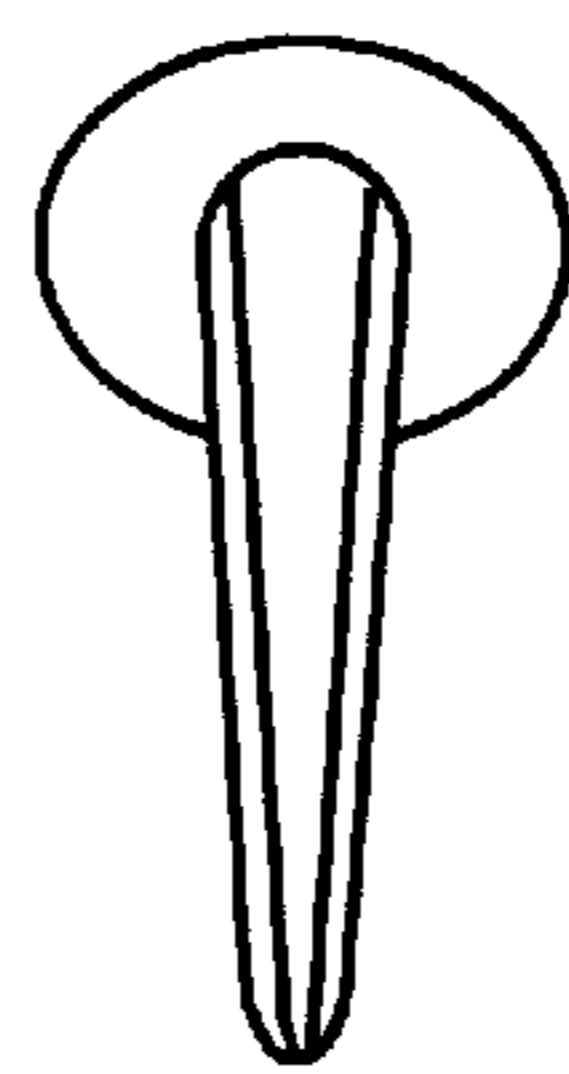


Fig. 4