



US00D437936S

(12) **United States Design Patent**
Guy

(10) **Patent No.:** **US D437,936 S**

(45) **Date of Patent:** **** Feb. 20, 2001**

(54) **DENTAL INSTRUMENT**

5,295,826 * 3/1994 Yandell et al. 433/31

(76) Inventor: **Rhonda Guy**, P.O. Box 612974, South Lake Tahoe, CA (US) 96152

* cited by examiner

(**) Term: **14 Years**

Primary Examiner—Ian Simmons

(74) *Attorney, Agent, or Firm*—Brian C. Kelly JDLLM

(21) Appl. No.: **29/113,510**

(57) **CLAIM**

(22) Filed: **Nov. 4, 1999**

The ornamental design for a dental instrument, as shown and described.

(51) **LOC (7) Cl.** **24-02**

DESCRIPTION

(52) **U.S. Cl.** **D24/139; D24/112; D24/176**

(58) **Field of Search** D24/139, 112, D24/152, 176; 433/31, 30, 29, 91

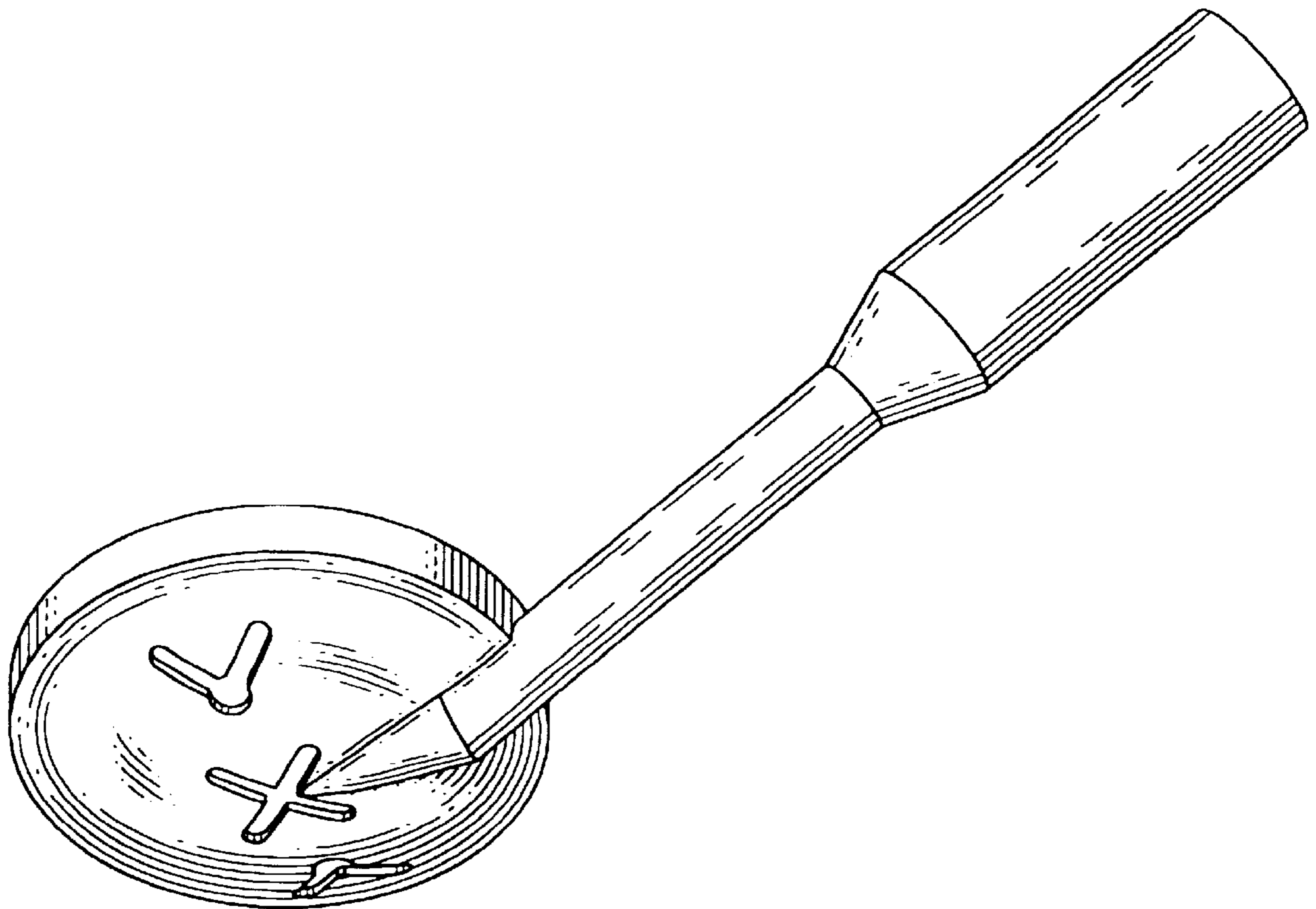
FIG. 1 is a perspective view taken from the bottom of a dental instrument showing my new design;
FIG. 2 is a front elevational view thereof
FIG. 3 is a rear elevational view thereof
FIG. 4 is a top plan view thereof;
FIG. 5 is a left side elevational view thereof, the right side elevational views being a mirror image thereto; and,
FIG. 6 is a bottom plan view thereof.

(56) **References Cited**

U.S. PATENT DOCUMENTS

D. 320,075	*	9/1991	Berlin	D24/139
D. 368,963	*	4/1996	Gomes	D24/139
3,928,916	*	12/1975	Hansson	433/31
5,139,420	*	8/1992	Walker	433/31

1 Claim, 2 Drawing Sheets



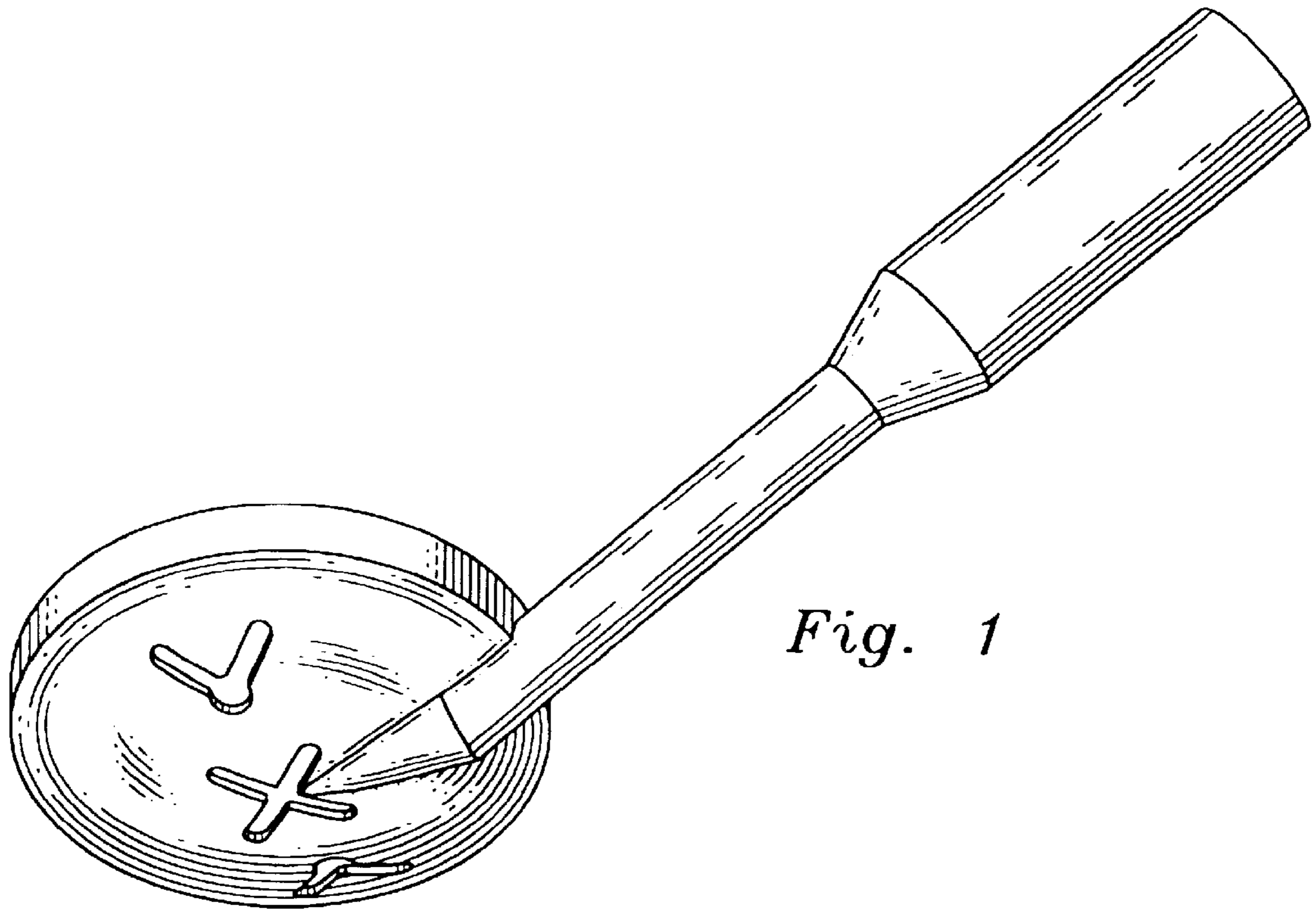


Fig. 1

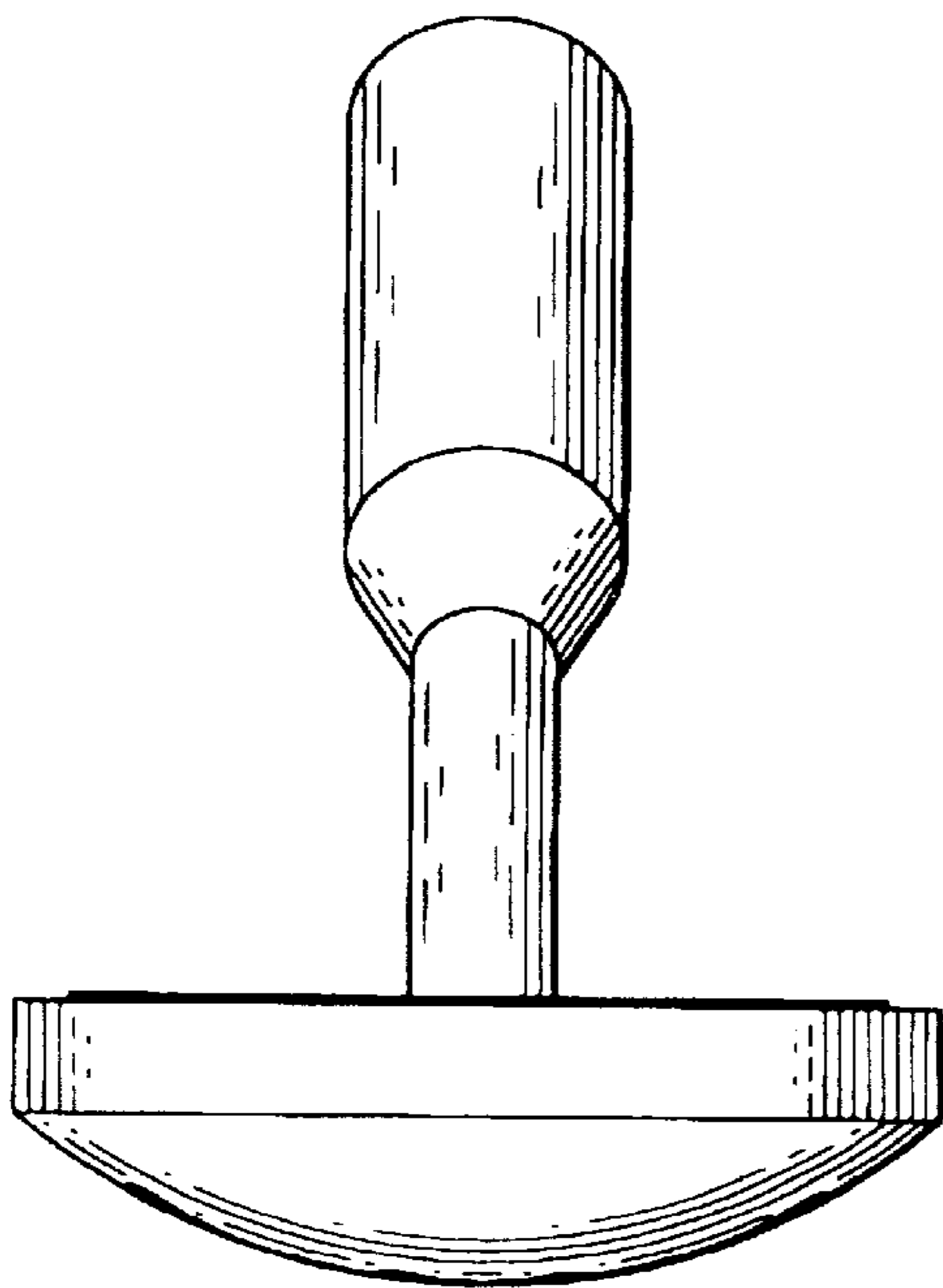


Fig. 2

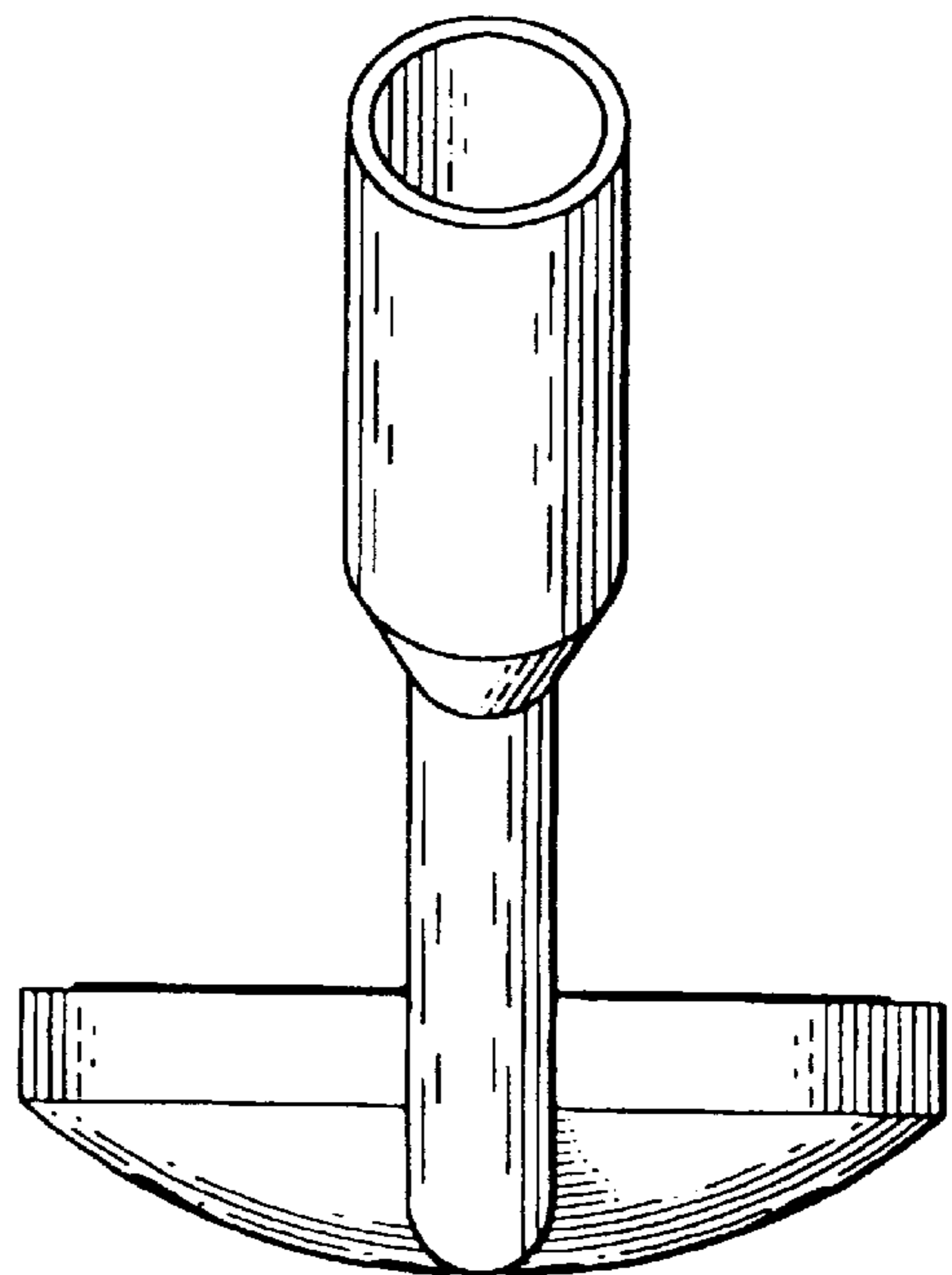


Fig. 3

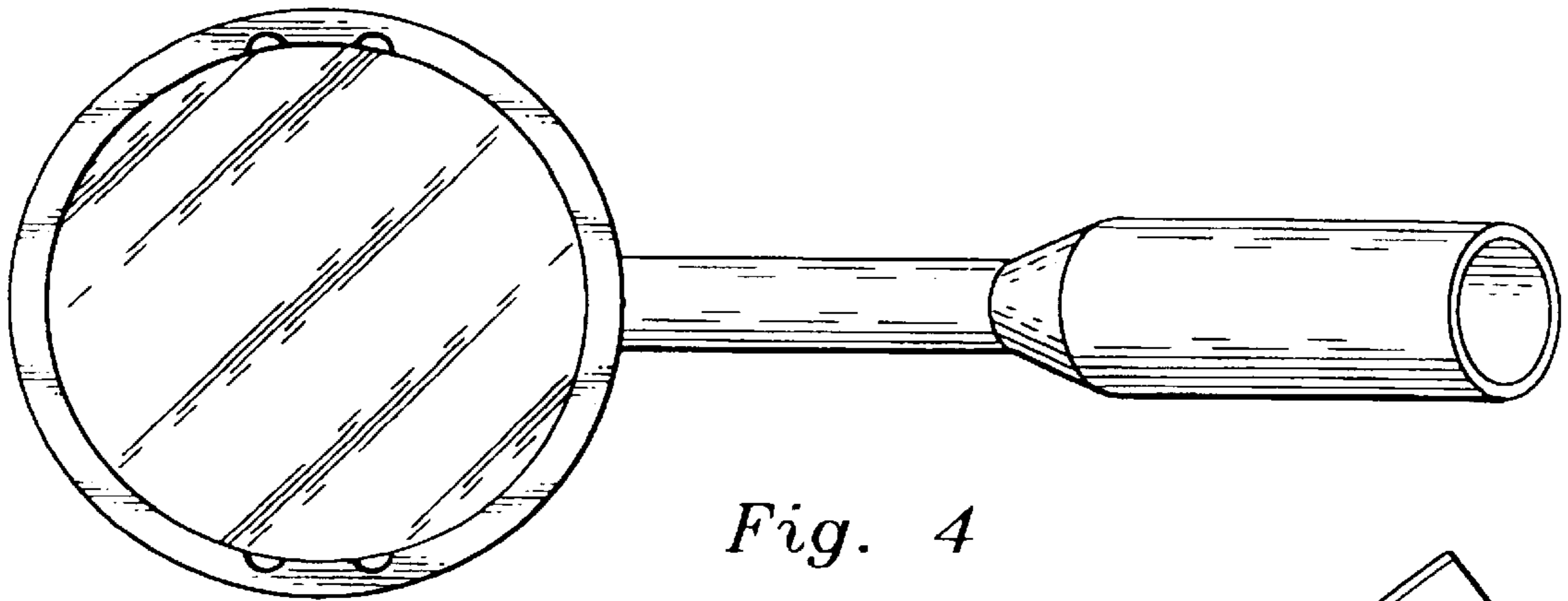


Fig. 4

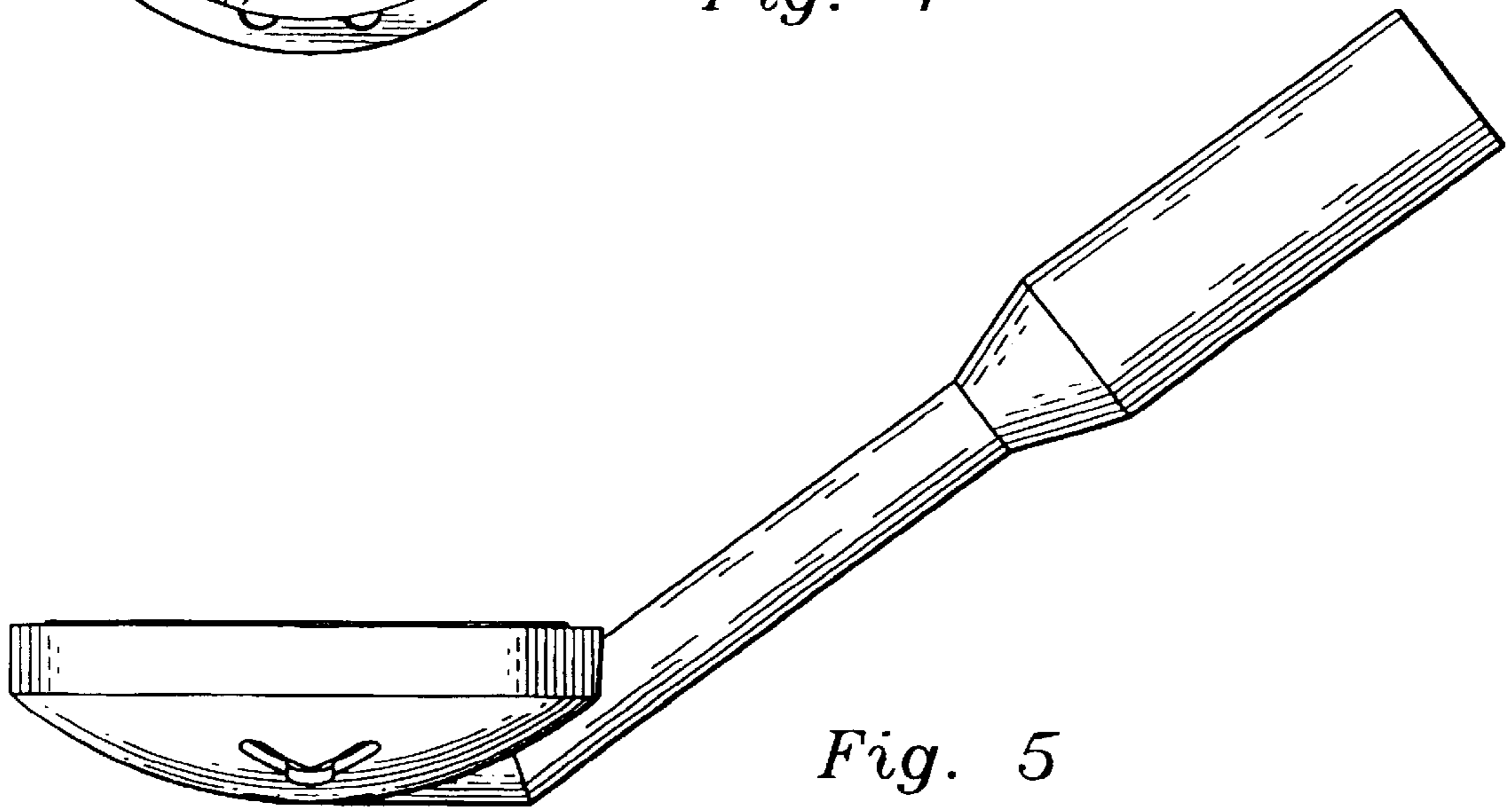


Fig. 5

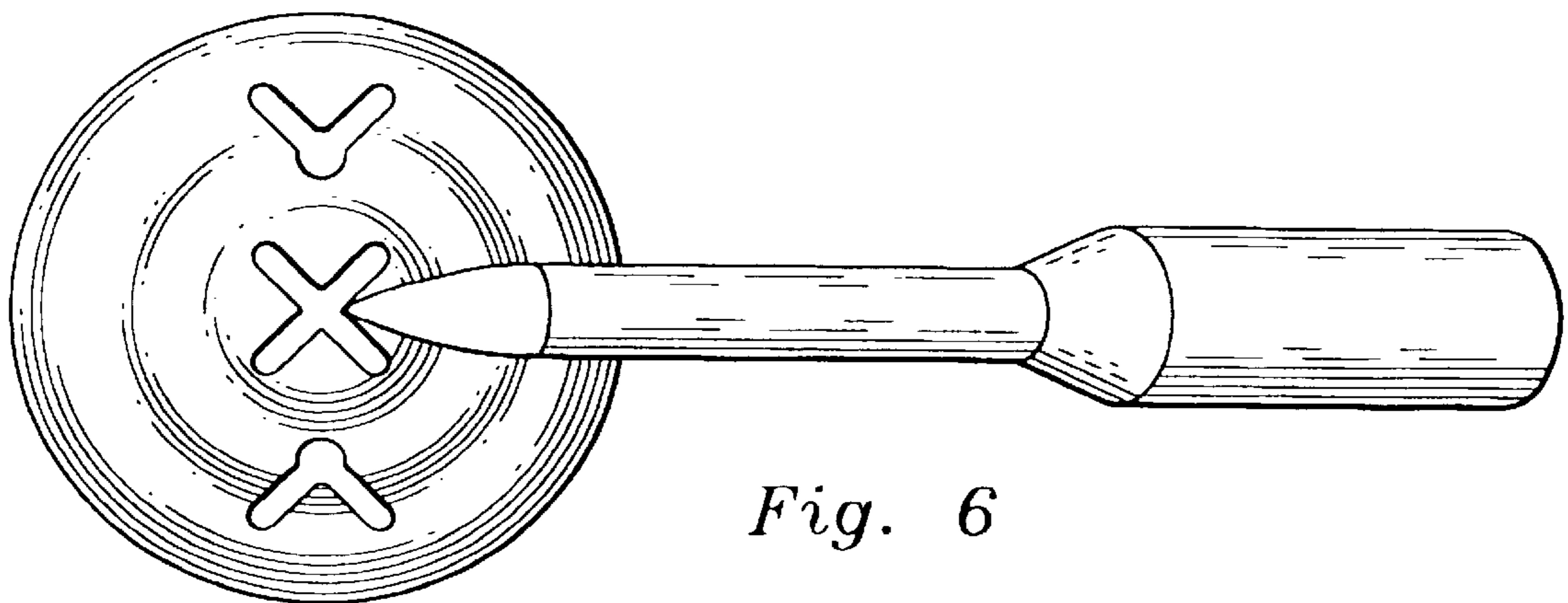


Fig. 6