



US00D437935S

(12) **United States Design Patent**
Geist

(10) **Patent No.:** **US D437,935 S**

(45) **Date of Patent:** **** Feb. 20, 2001**

(54) **APPARATUS FOR COVERING A USED SYRINGE NEEDLE**

(75) **Inventor:** **Leroy D. Geist, Parker, CO (US)**

(73) **Assignee:** **Vital Signs, Inc., Totowa, NJ (US)**

(**) **Term:** **14 Years**

(21) **Appl. No.:** **29/118,838**

(22) **Filed:** **Feb. 17, 2000**

(51) **LOC (7) Cl.** **24-02**

(52) **U.S. Cl.** **D24/130**

(58) **Field of Search** D24/127, 130,
D24/131; 206/365; 600/576; 604/110, 158,
167, 192, 193, 198, 263

(56) **References Cited**

U.S. PATENT DOCUMENTS

4,820,277	4/1989	Norelli	604/192
4,850,976	7/1989	Heinrich et al.	604/192
4,872,552	10/1989	Unger	206/365
4,883,469	11/1989	Glazier	604/192
4,909,791	3/1990	Norelli	604/192
4,909,792	3/1990	Norelli	604/192
4,944,731	7/1990	Cole	604/192
4,982,841	1/1991	Hollister	206/365
5,135,508	8/1992	Vernamonti	604/192
5,135,509	8/1992	Olliffe	604/192
5,139,489	8/1992	Hollister	604/192
5,151,089	9/1992	Kirk, III et al.	604/192
5,154,285	10/1992	Hollister	206/365
5,188,611	2/1993	Orgain	604/192
5,232,455	8/1993	Hollister	604/192
5,242,417	9/1993	Paudler	604/192
5,312,368	5/1994	Haynes	604/192
5,374,255	* 12/1994	Nathan et al.	604/192
5,405,332	4/1995	Opalek	604/192
5,423,765	6/1995	Hollister	604/192
5,445,619	8/1995	Burns	604/192
5,486,163	1/1996	Haynes	604/192
5,490,841	2/1996	Landis	604/110
5,509,907	4/1996	Bevilacqua	604/263

5,599,313	2/1997	Gyure et al.	604/192
5,599,318	2/1997	Sweeney et al.	604/263
5,603,699	2/1997	Shine	604/110
5,643,219	7/1997	Burns	604/192
5,662,617	9/1997	ODell et al.	604/192
5,669,889	9/1997	Gyure et al.	604/263
5,681,295	10/1997	Gyure et al.	604/263
5,746,726	5/1998	Sweeney et al.	604/263
5,807,351	9/1998	Kashmer	604/263
5,868,716	2/1999	Sweeney et al.	604/263
5,891,103	4/1999	Burns	604/192
5,919,165	7/1999	Benson	604/110

FOREIGN PATENT DOCUMENTS

0 352 008 A2	1/1990	(EP)	A61M/5/32
0 566 631 B1	10/1993	(EP)	A61M/5/32
0 623 358 A2	11/1994	(EP)	A61M/5/32
0 626 924 B1	12/1994	(EP)	B65D/83/10
98/11928	3/1998	(WO)	A61M/5/32

* cited by examiner

Primary Examiner—Alan P. Douglas

Assistant Examiner—Ried Hecker

(74) *Attorney, Agent, or Firm*—R. Gale Rhodes, Jr.

(57) **CLAIM**

I claim the ornamental design for the apparatus for covering a used syringe needle, as shown and described.

DESCRIPTION

FIG. 1 is a front elevational view of apparatus for covering a used syringe needle, showing my new design, the covers are shown in the open position, the rear view thereof being identical;

FIG. 2 is a top view thereof;

FIG. 3 is a bottom view thereof;

FIG. 4 is a right side elevational view thereof taken from FIG. 1, the left side elevational view thereof being identical;

FIG. 5 is a perspective view thereof; and,

FIG. 6 is a perspective view thereof but showing the covers in the closed position.

1 Claim, 2 Drawing Sheets

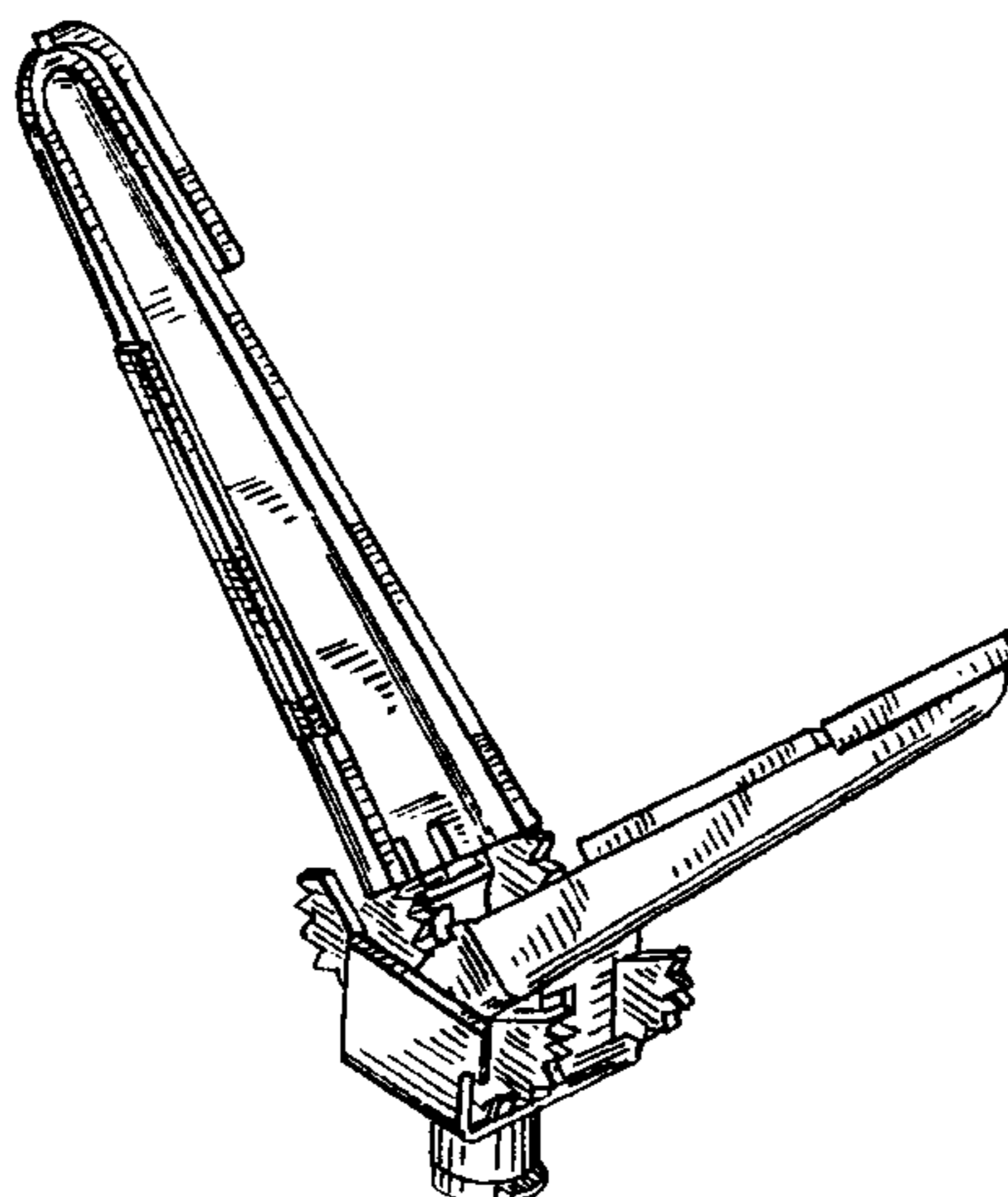


FIG. 2

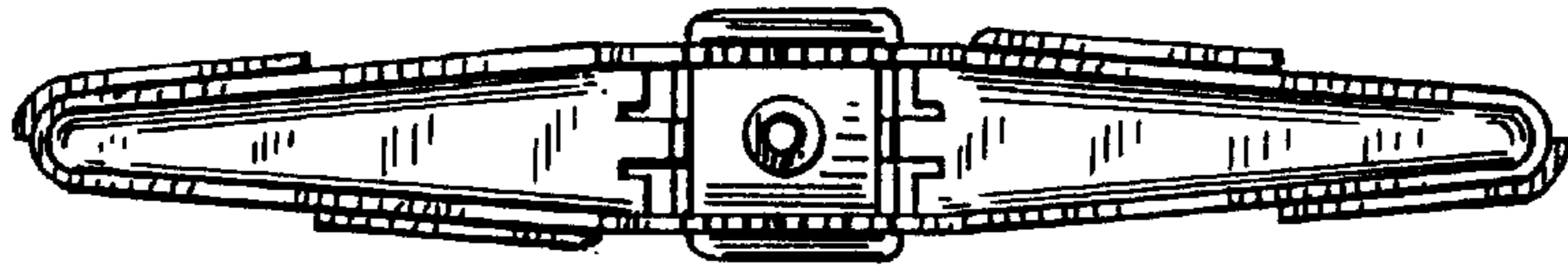


FIG. 1

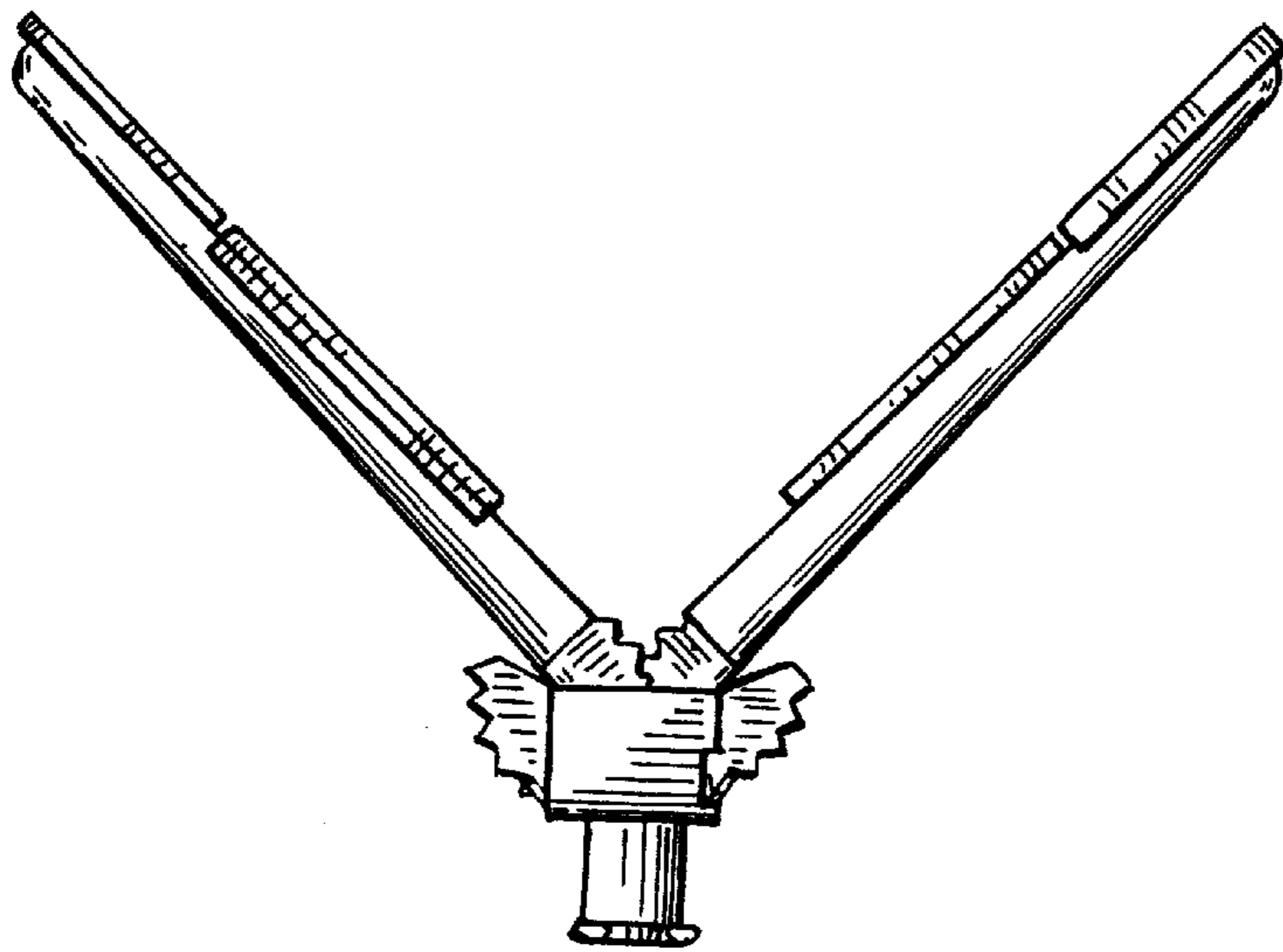


FIG. 4

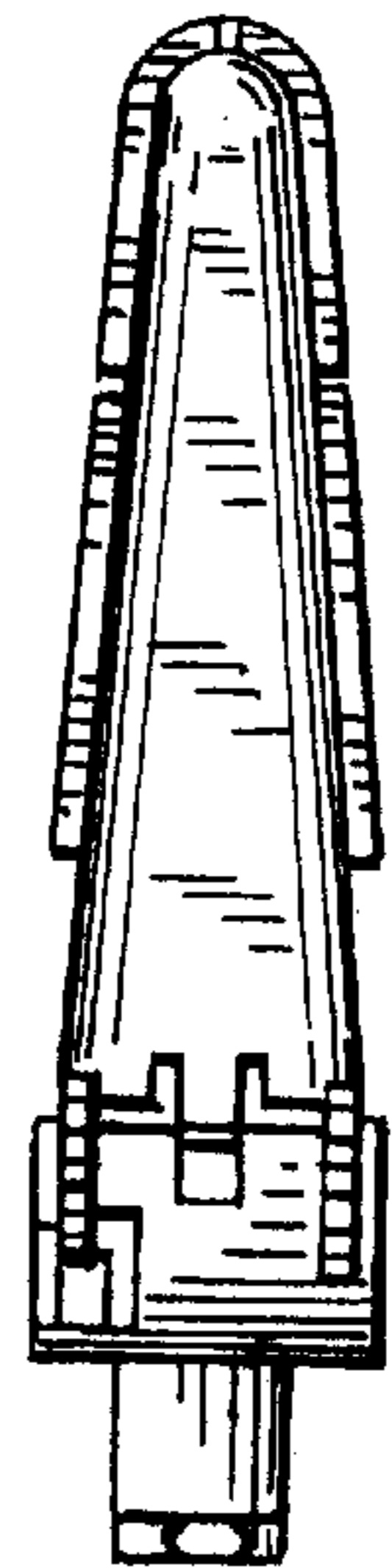


FIG. 3

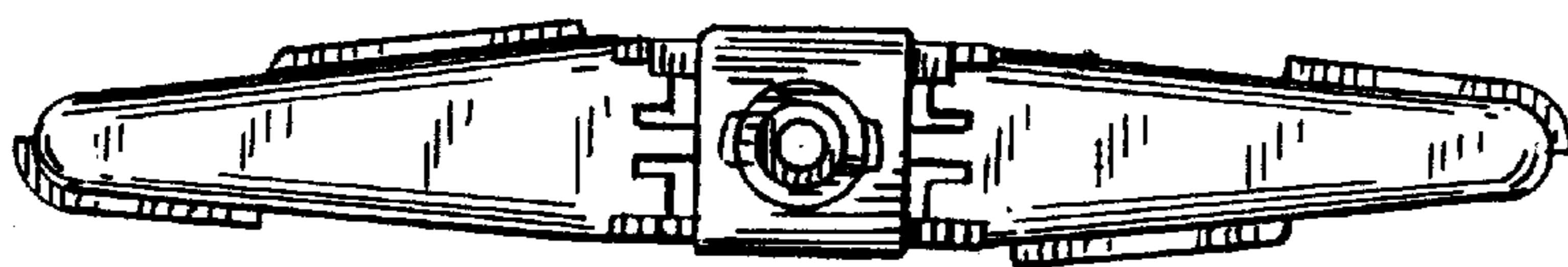


FIG. 5

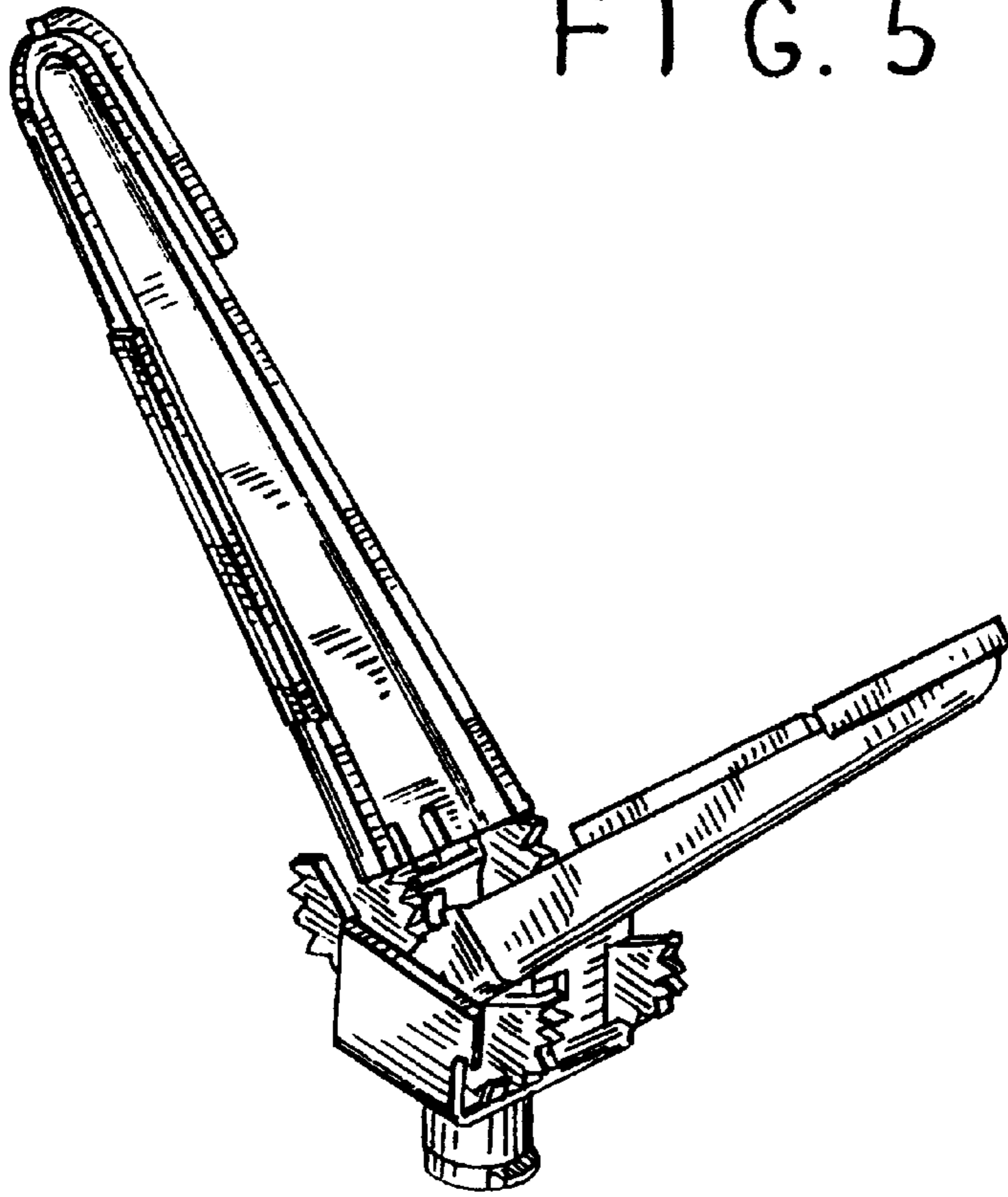


FIG. 6

