



US00D437934S

(12) **United States Design Patent**
Wilkinson et al.

(10) **Patent No.:** **US D437,934 S**

(45) **Date of Patent:** **** Feb. 20, 2001**

(54) **VALVE PORT**

(75) Inventors: **Bradley Mark Wilkinson**, North Haledon; **Robert S. Golabek**, Towaco, both of NJ (US)

(73) Assignee: **Becton Dickinson and Company**, Franklin Lakes, NJ (US)

(**) Term: **14 Years**

(21) Appl. No.: **29/108,995**

(22) Filed: **Aug. 6, 1999**

(51) **LOC (7) Cl.** **24-02**

(52) **U.S. Cl.** **D24/129; D23/248**

(58) **Field of Search** D23/233, 248, D23/260, 269, 262; D24/108, 112, 129; 137/843, 844; 251/12, 149.8; 604/408, 246, 256, 537, 539, 19, 27, 167.04

(56) **References Cited**

U.S. PATENT DOCUMENTS

D. 396,731	*	8/1998	Mirto	D24/129
3,343,566	*	9/1967	Luckenbill	137/843
3,976,278	*	8/1976	Dye et al.	251/149.6
4,946,133	*	8/1990	Johnson et al.	137/844
5,100,394		3/1992	Dudar et al.	604/283
5,158,554		10/1992	Jepson et al.	604/283

5,167,648	12/1992	Jepson et al.	604/283
5,171,234	12/1992	Jepson et al.	604/283
5,188,620	2/1993	Jepson et al.	604/283
5,211,638	5/1993	Dudar et al.	604/283
5,330,437	7/1994	Durman	604/167
5,356,039	* 10/1994	Christine et al.	137/844
5,429,619	* 7/1995	Furnish	604/537
5,453,095	* 9/1995	Davila et al.	604/167.04
5,649,907	* 7/1997	Mori et al.	604/408
5,865,728	* 2/1999	Moll et al.	600/204

* cited by examiner

Primary Examiner—Alan P. Douglas

Assistant Examiner—Reid Hecker

(57) **CLAIM**

The ornamental design for a valve port, as shown and described.

DESCRIPTION

FIG. 1 is a perspective view of a valve port, showing our design;

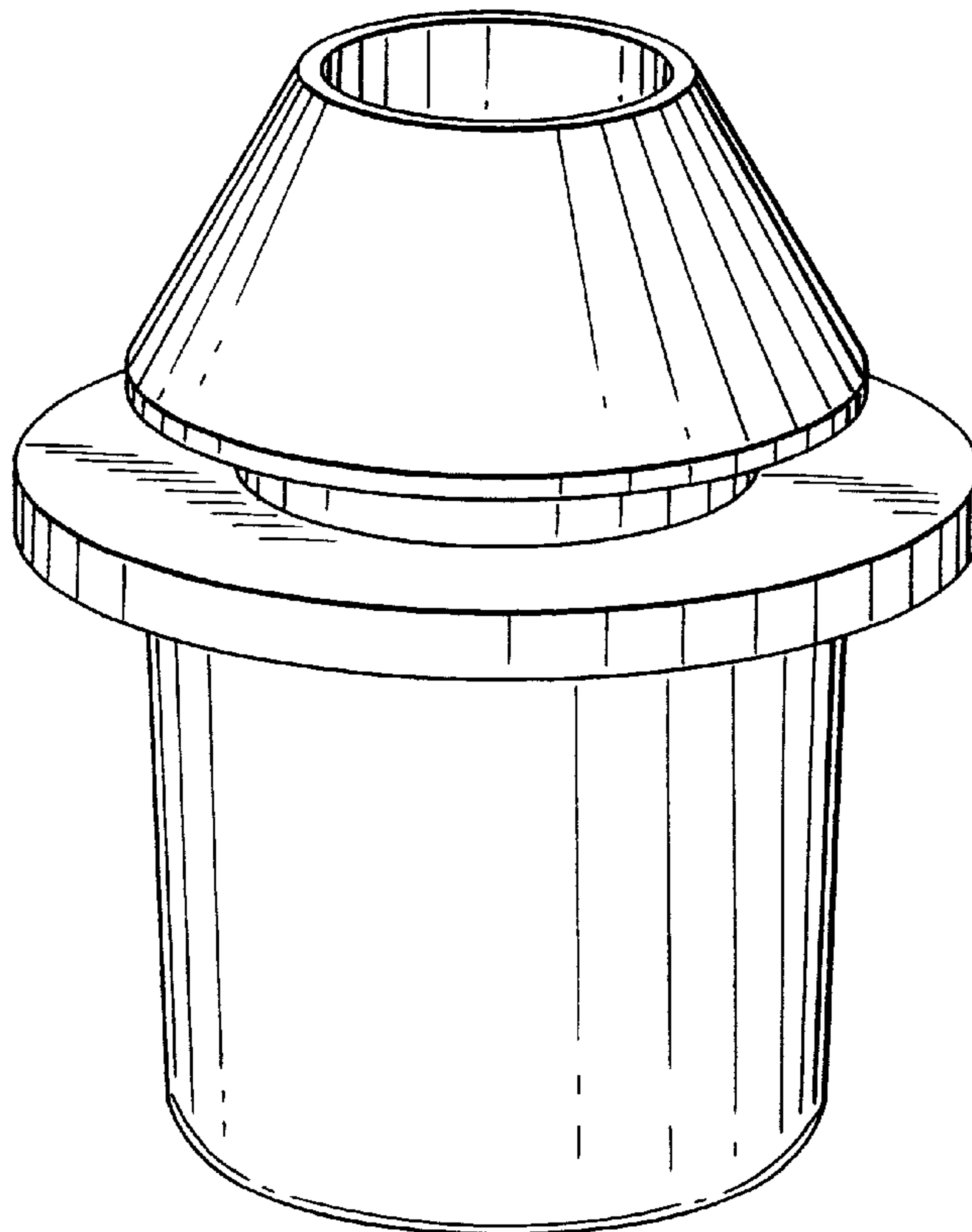
FIG. 2 is a top-plan view of the valve port of FIG. 1;

FIG. 3 is a front elevational view of the valve port of FIG. 1, the rear elevational view being a mirror image thereof;

FIG. 4 is a bottom-plan view of the valve port of FIG. 1; and,

FIG. 5 is a cross-sectional view of the valve port of FIG. 3.

1 Claim, 2 Drawing Sheets



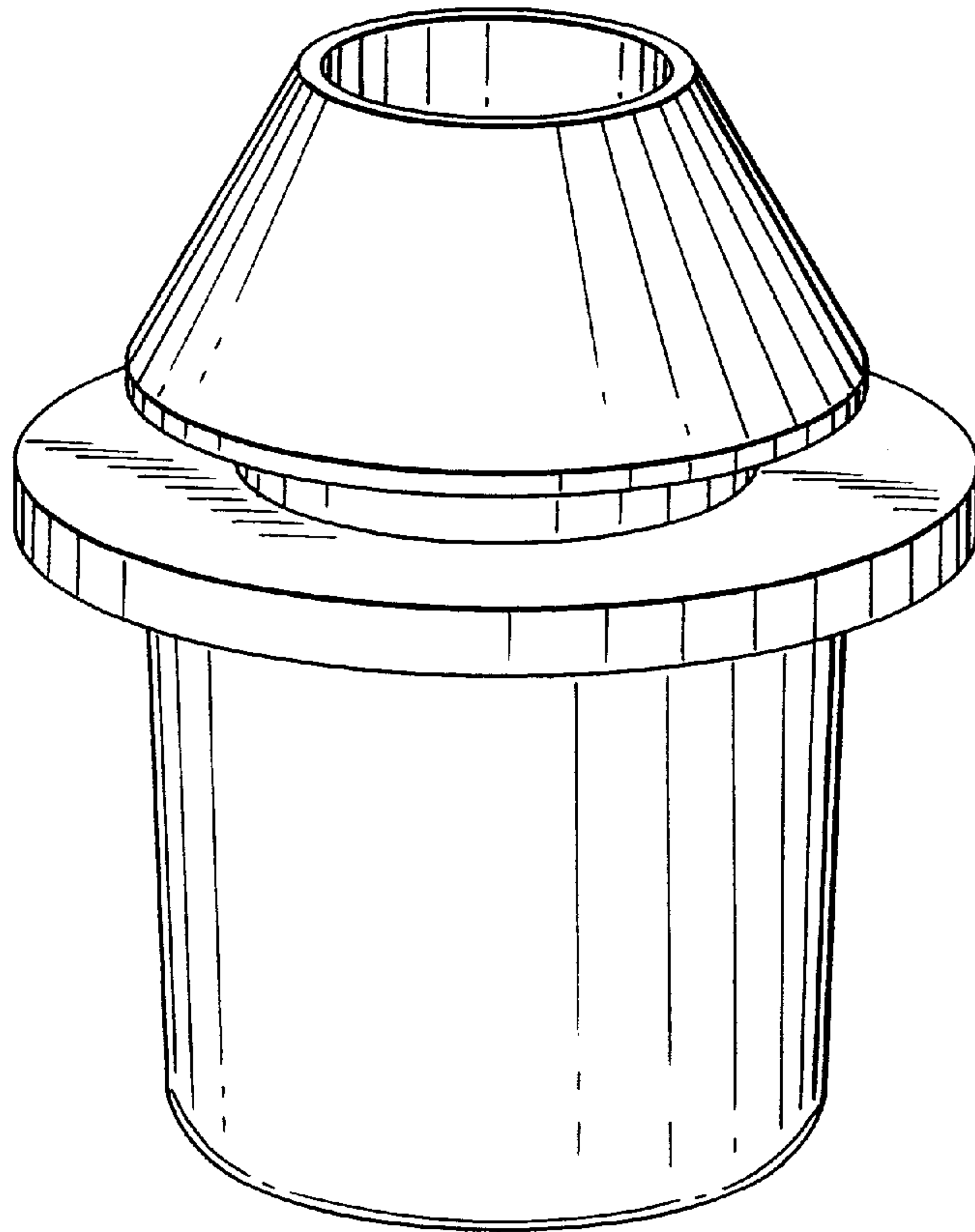


FIG. 1

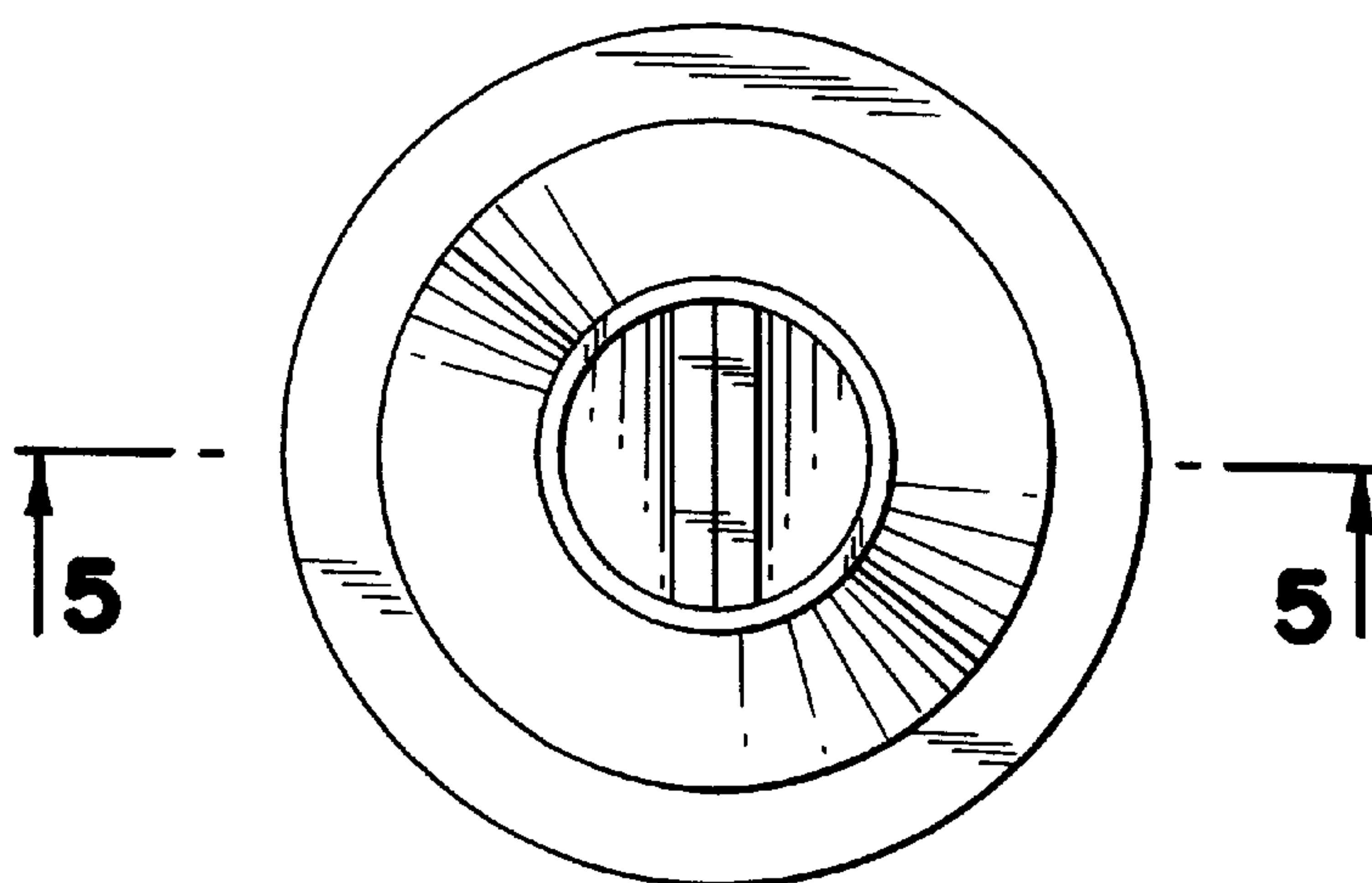


FIG. 2

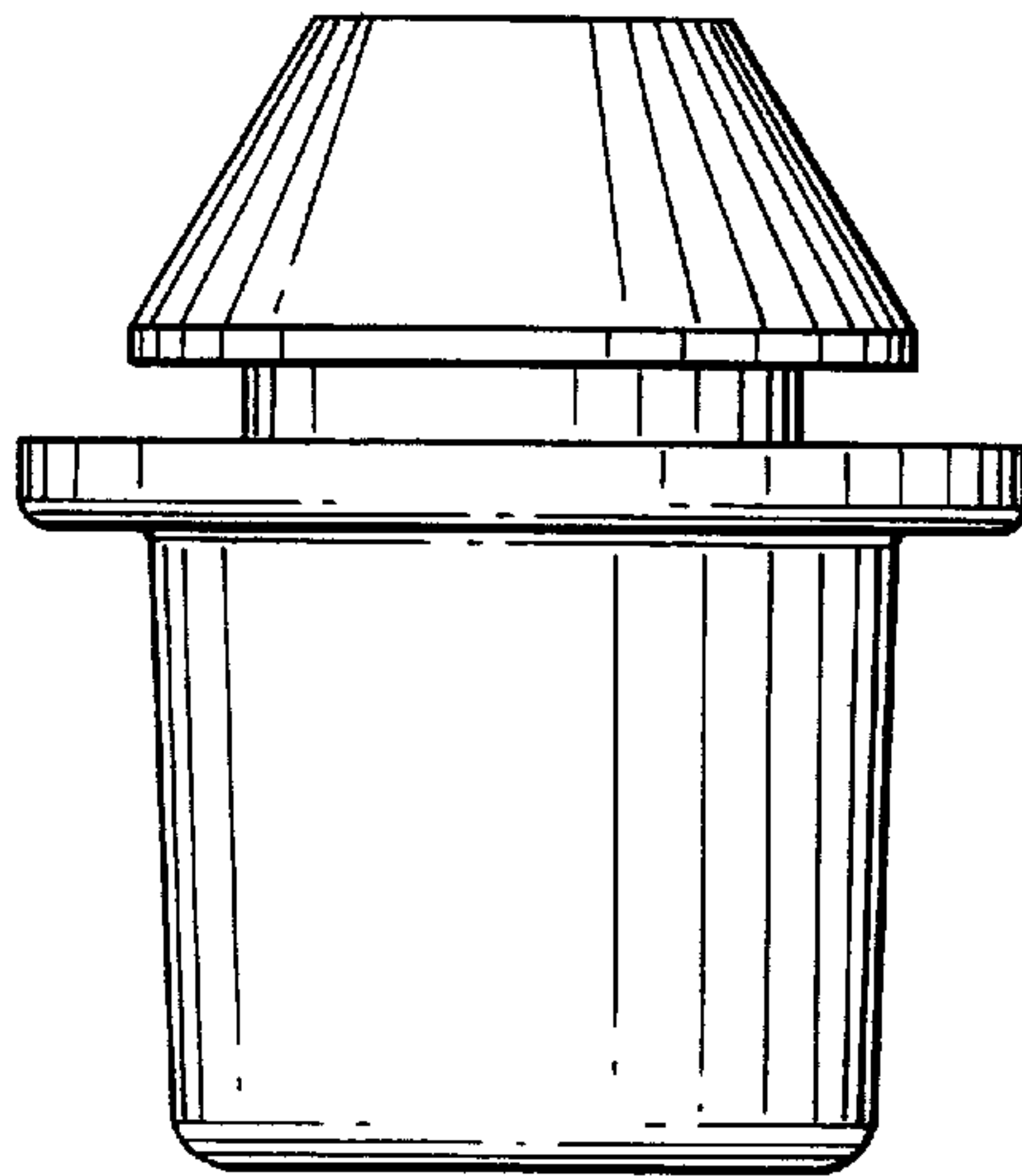


FIG. 3

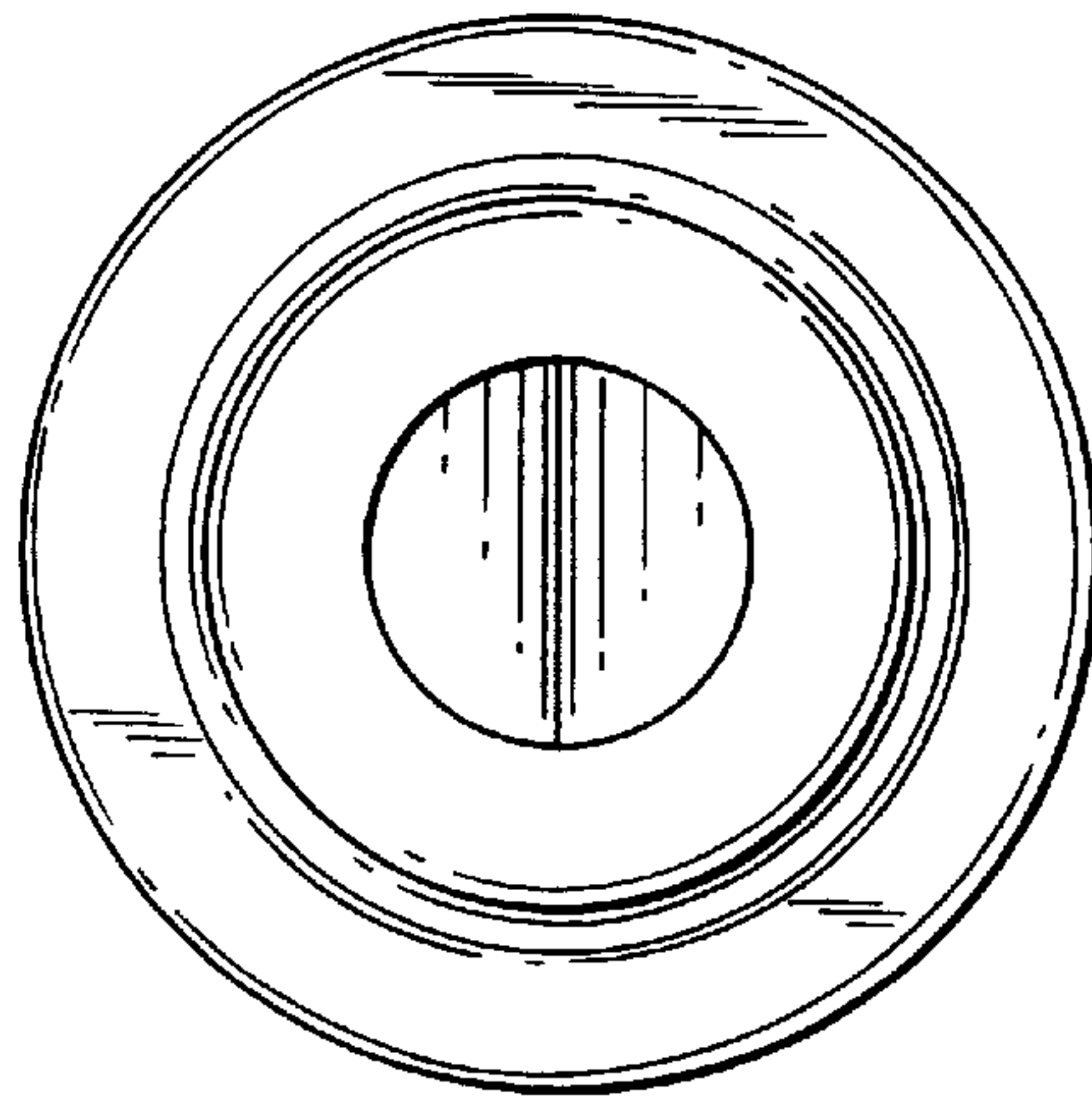


FIG. 4

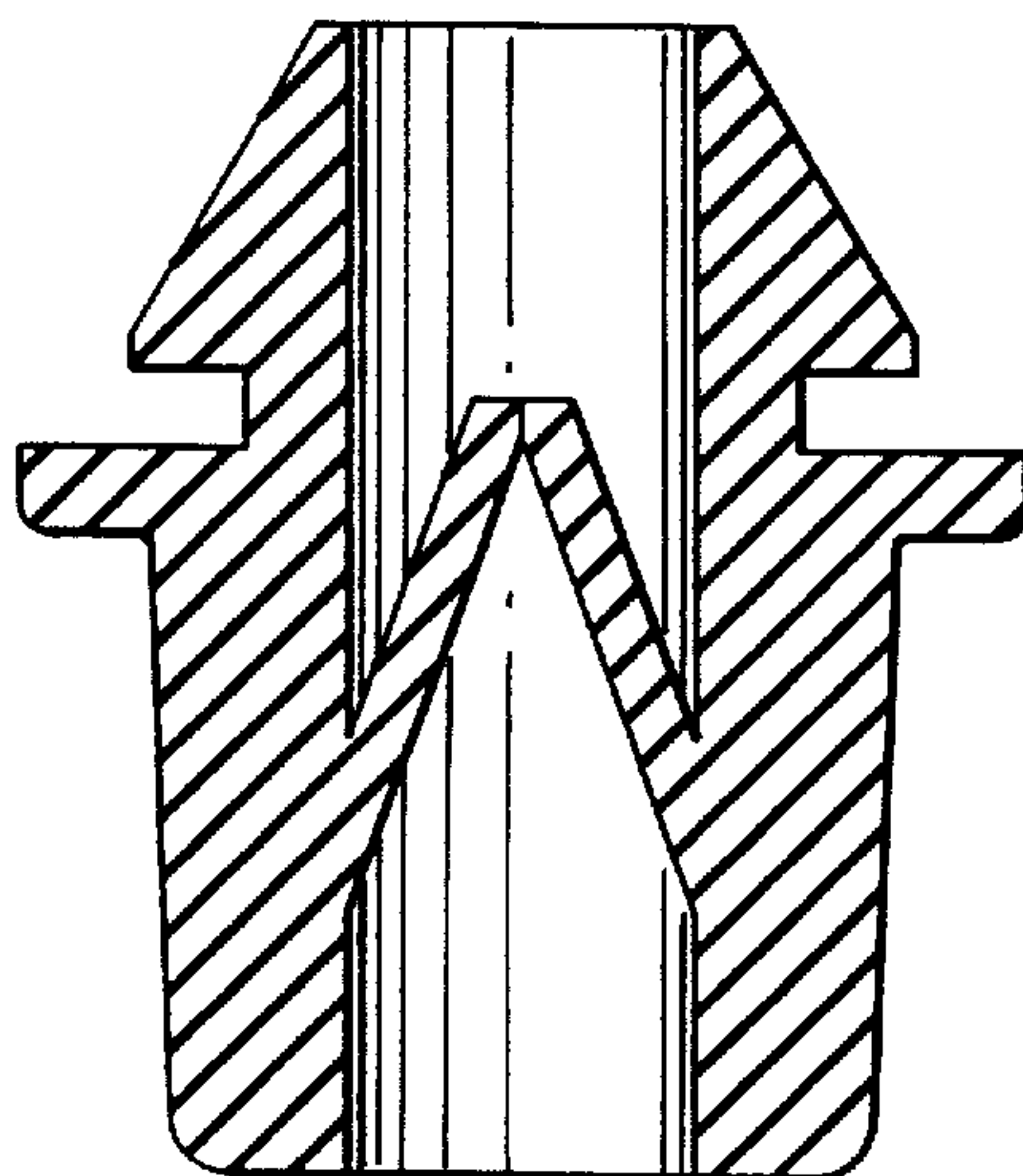


FIG. 5