



US00D437929S

(12) **United States Design Patent**
Leonhard et al.

(10) **Patent No.:** **US D437,929 S**

(45) **Date of Patent:** **** Feb. 20, 2001**

(54) **ASPIRATOR**

(75) Inventors: **Todd W. Leonhard**, Sheboygan; **Mark E. O'Connell**, Cedar Grove, both of WI (US)

(73) Assignee: **Thomas Industries, Inc.**, Sheboygan, WI (US)

(**) Term: **14 Years**

(21) Appl. No.: **29/103,383**

(22) Filed: **Apr. 14, 1999**

(51) **LOC (7) Cl.** **24-01**

(52) **U.S. Cl.** **D24/108; D24/111**

(58) **Field of Search** D24/110, 111,
D24/108; D15/9, 7; 128/200.18, 200.16,
200.21, 203.12; 604/540, 541, 317, 319,
19

(56) **References Cited**

U.S. PATENT DOCUMENTS

- D. 302,728 * 8/1989 Herbst et al. D24/111
- D. 328,642 * 8/1992 Say D24/111
- D. 344,735 * 3/1994 Ohman D24/108
- D. 355,918 2/1995 Wang D15/9
- D. 358,874 5/1995 Cuning D23/356

- D. 376,199 * 12/1996 Rozek et al. D24/110
- D. 378,128 2/1997 Rozek et al. D24/110
- D. 384,081 9/1997 Wang D15/7
- D. 394,440 5/1998 Chen D15/9
- D. 413,123 * 8/1999 Leonhard et al. D15/7

* cited by examiner

Primary Examiner—Ian Simmons

(74) *Attorney, Agent, or Firm*—Quarles & Brady LLP

(57) **CLAIM**

The ornamental design for an aspirator, as shown and described.

DESCRIPTION

FIG. 1 is a top, front and right side perspective view of an aspirator showing our new design;
 FIG. 2 is a right side elevational view thereof;
 FIG. 3 is a left side elevational view thereof;
 FIG. 4 is a front elevational view thereof;
 FIG. 5 is a rear elevational view thereof;
 FIG. 6 is a top plan view thereof; and,
 FIG. 7 is a bottom plan view thereof.

The broken line representations of items in FIGS. 1-7, are for purposes of illustration only, and form no part of the claimed design.

1 Claim, 4 Drawing Sheets

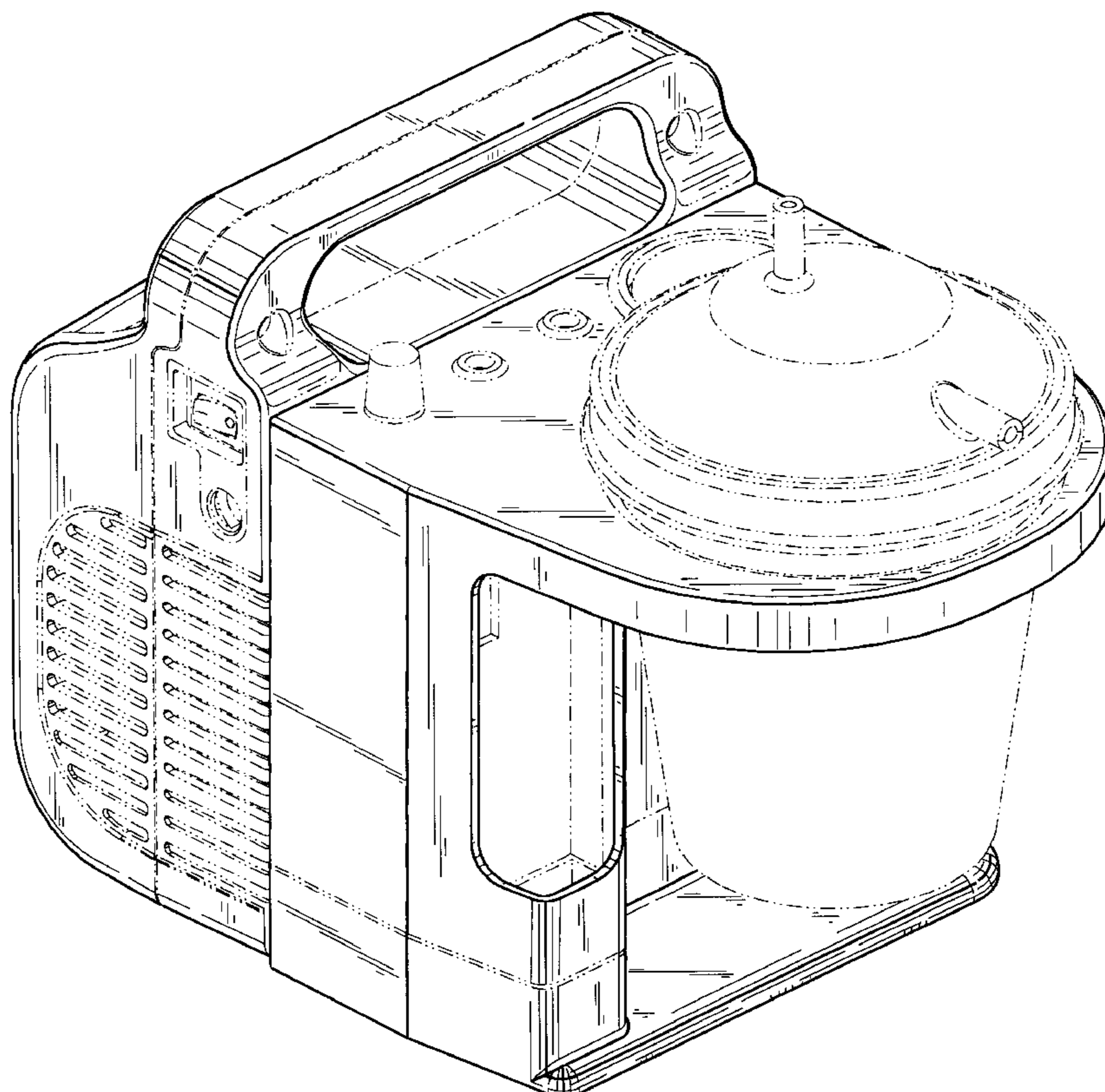


FIG. 1

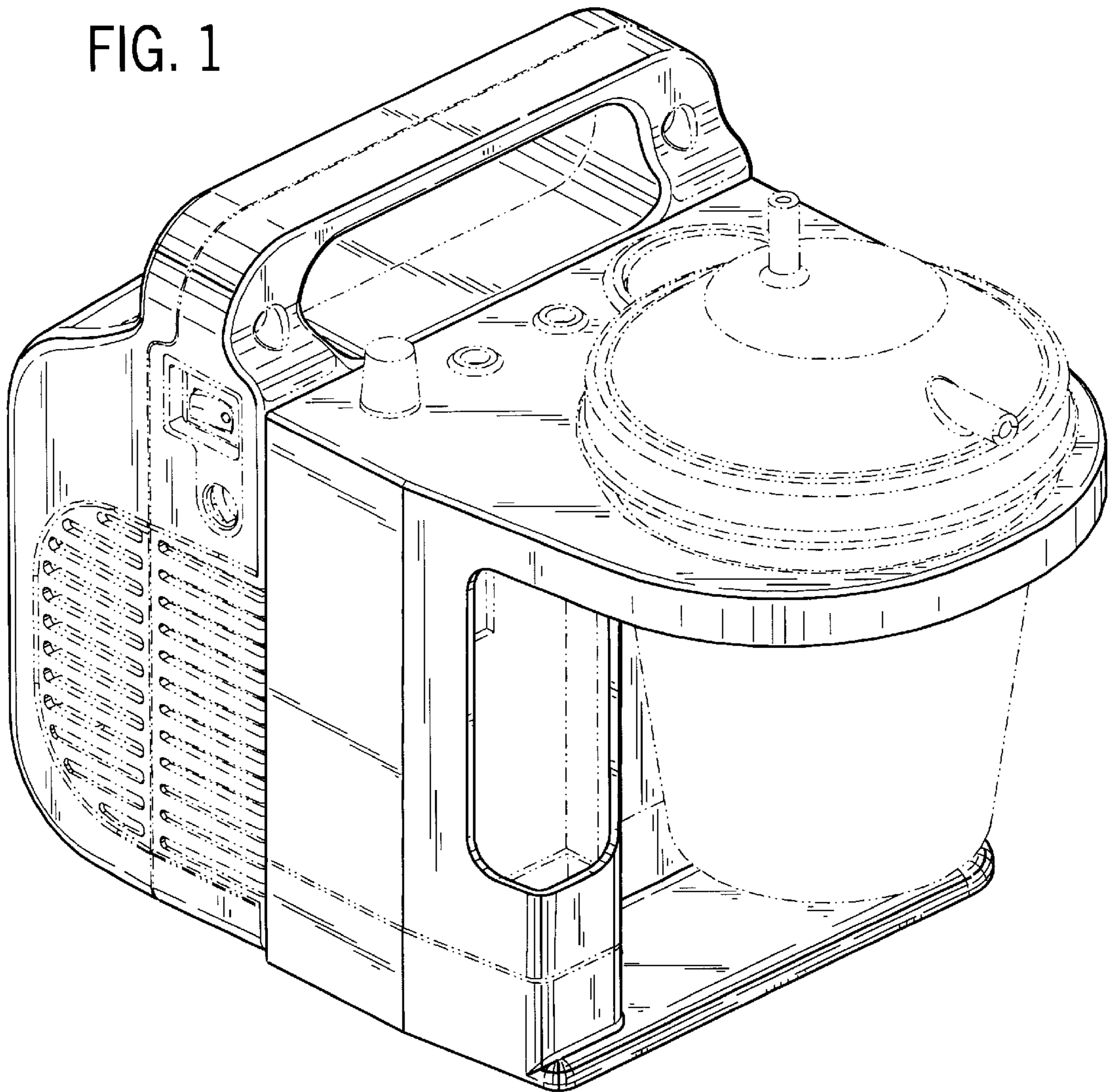


FIG. 2

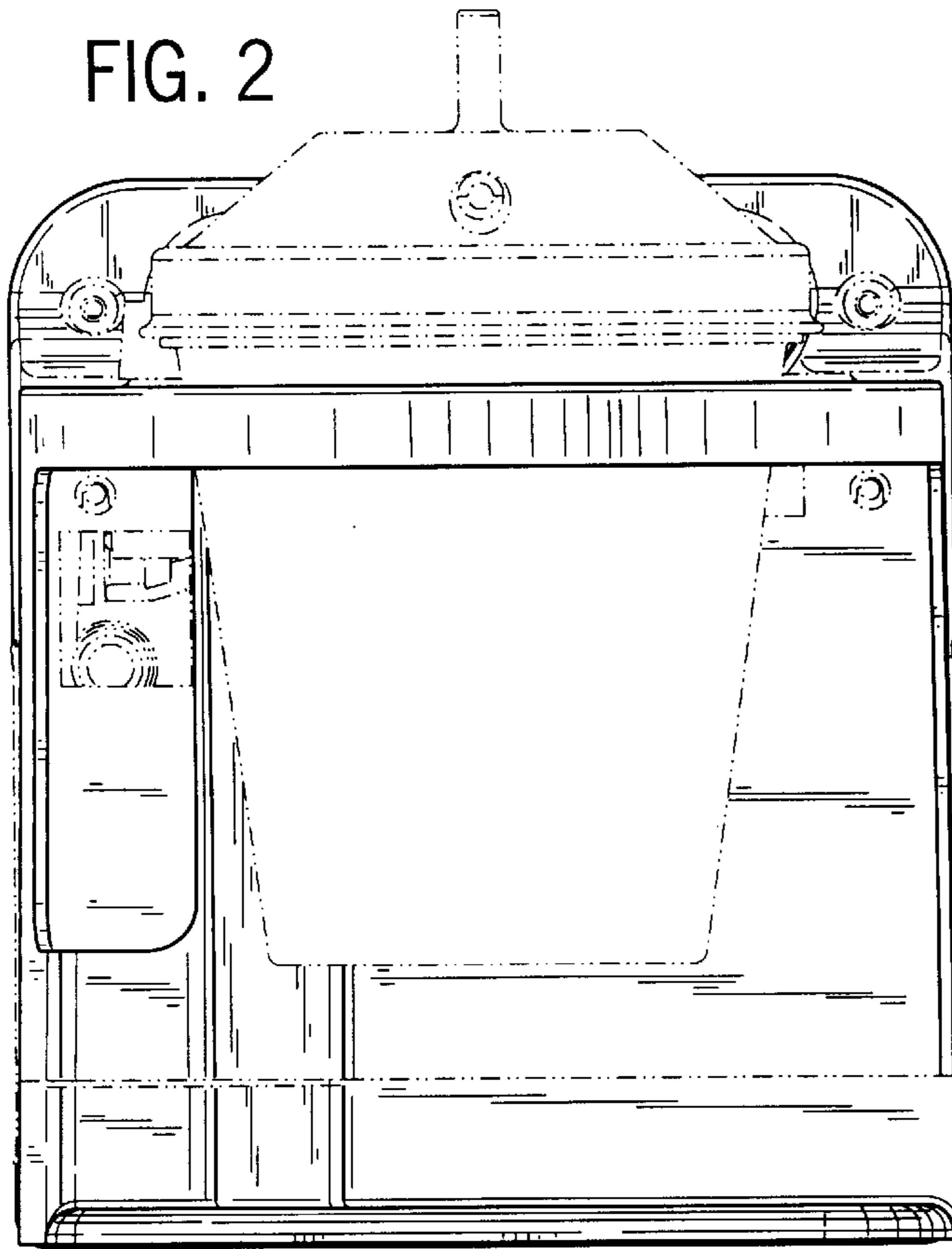


FIG. 3

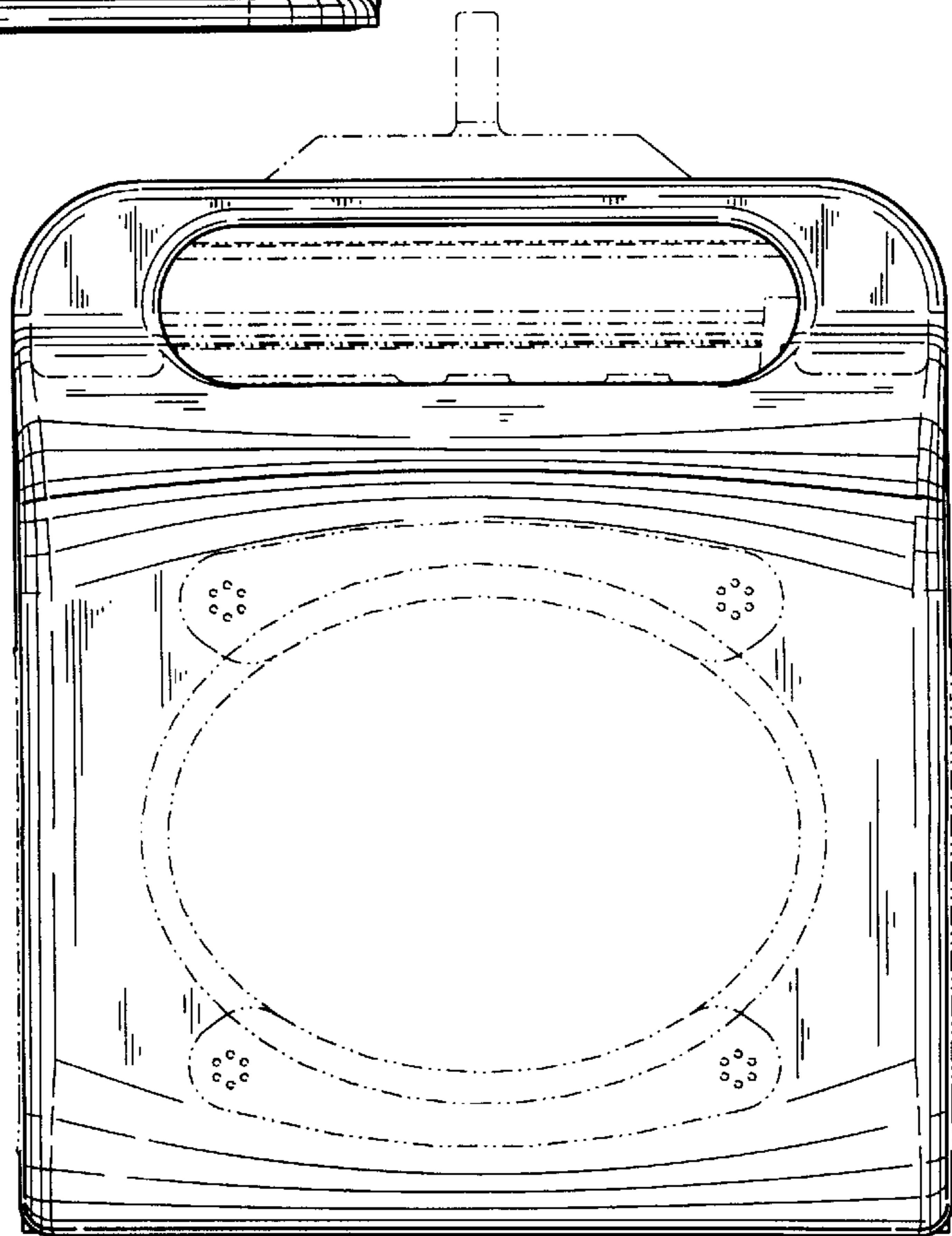


FIG. 4

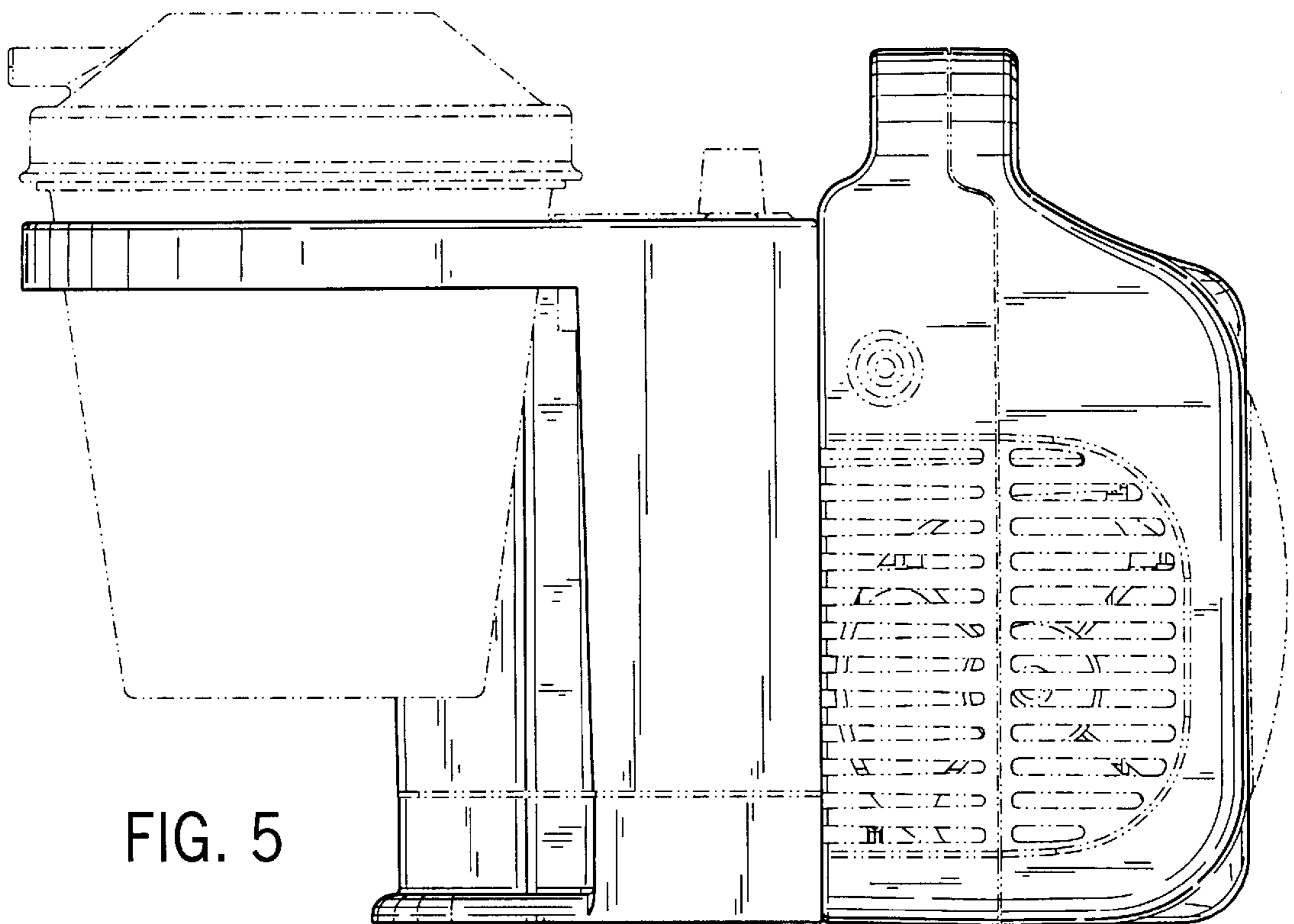
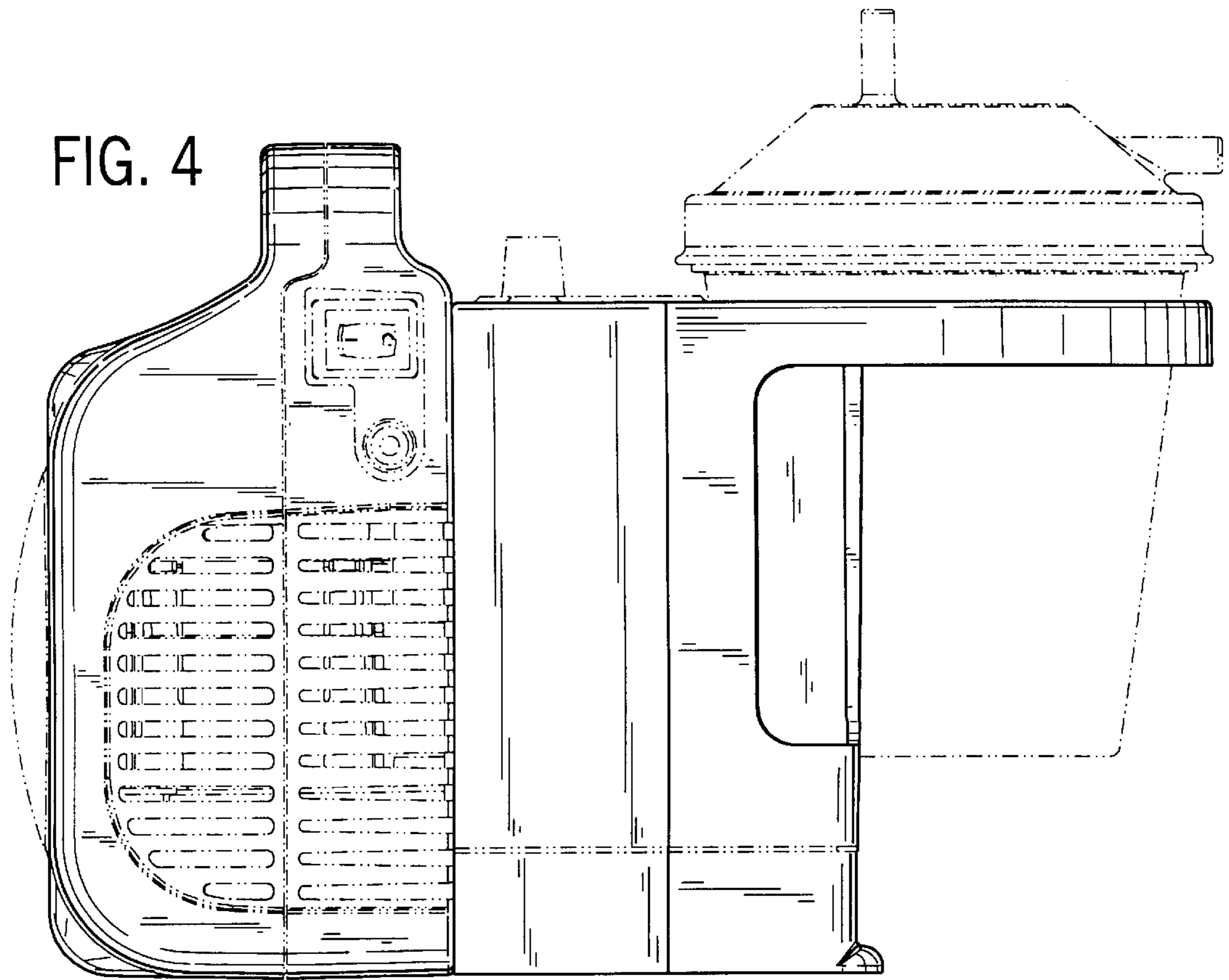


FIG. 5

FIG. 6

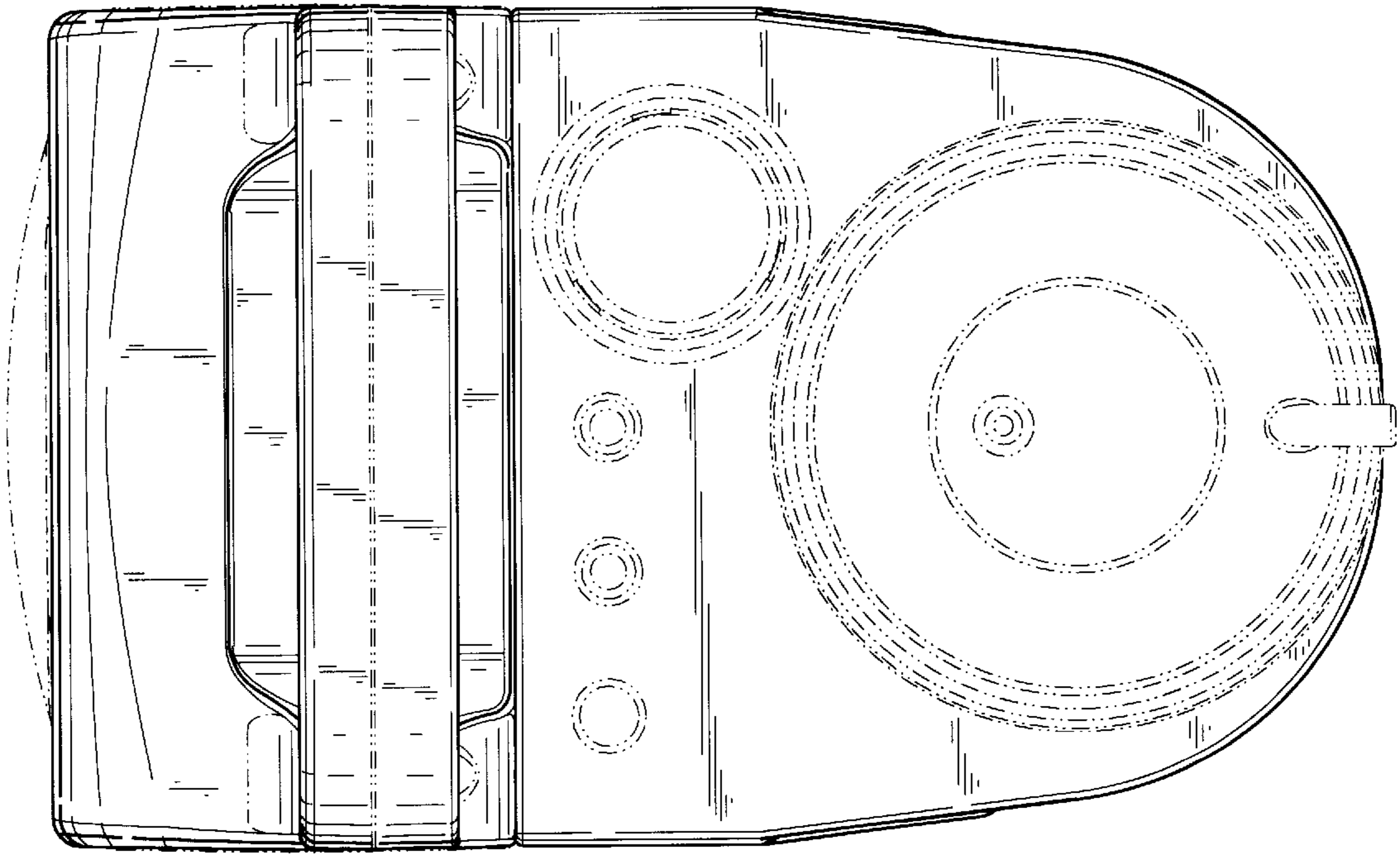


FIG. 7

