



US00D437928S

(12) **United States Design Patent**
Dolan

(10) **Patent No.:** **US D437,928 S**

(45) **Date of Patent:** **** Feb. 20, 2001**

(54) **CEILING FAN ARM BLADES UNIT**

(76) **Inventor:** **Patrick S. Dolan**, 1901 NW. Upshur,
Portland, OR (US) 97209

(**) **Term:** **14 Years**

(21) **Appl. No.:** **29/125,270**

(22) **Filed:** **Jun. 21, 2000**

(51) **LOC (7) Cl.** **23-04**

(52) **U.S. Cl.** **D23/411**

(58) **Field of Search** D23/377, 379,
D23/385, 411, 413; 416/5

(56) **References Cited**

U.S. PATENT DOCUMENTS

- D. 328,951 * 8/1992 Scofield D23/411
- D. 345,206 * 3/1994 Dipasqual D23/411

OTHER PUBLICATIONS

Casablanca City of Industry, CA Cat. 1990, p. 2, Model 2622T.

Litex Industries Grand Prarie, TX Cat. 1998, 98 M p. 5, Model LF52 CS5LK.

Ellington Fans Grand Prarie, TX Cat. 1998 p. 17, Model EL52 BB5.

Hunter Fan Memphis, TN Cat. 1991 p. 21, Model 25280.

* cited by examiner

Primary Examiner—Lisa Lichtenstein

(57) **CLAIM**

The ornamental design for a ceiling fan arm blades unit, as shown and described.

DESCRIPTION

FIG. 1 is a perspective view thereof;

FIG. 2 is a front elevational view thereof;

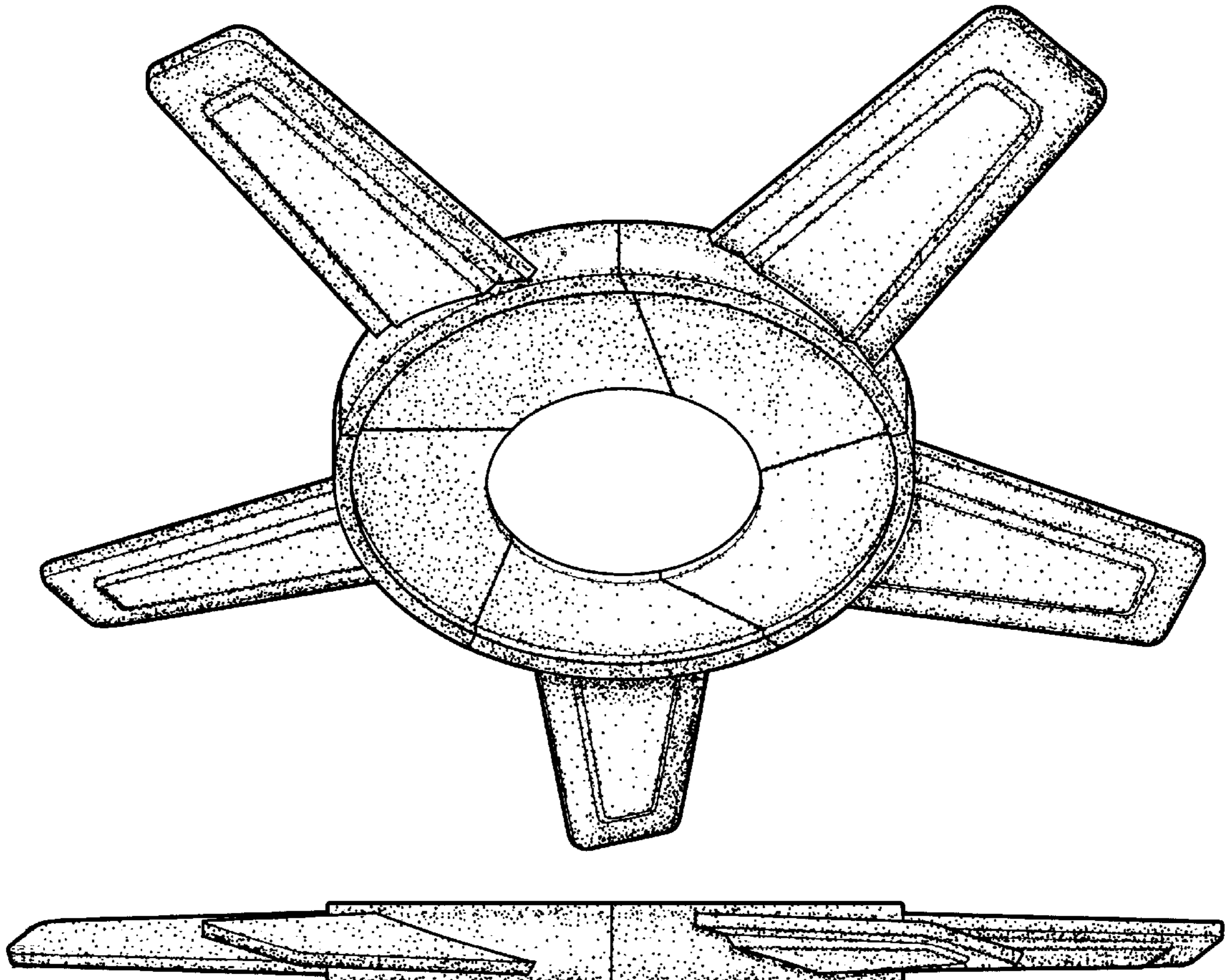
FIG. 3. is a right side view, the left side view being a mirror image;

FIG. 4 is a back view thereof;

FIG. 5 is a top plan view thereof; and,

FIG. 6 is a bottom plan view thereof.

1 Claim, 6 Drawing Sheets



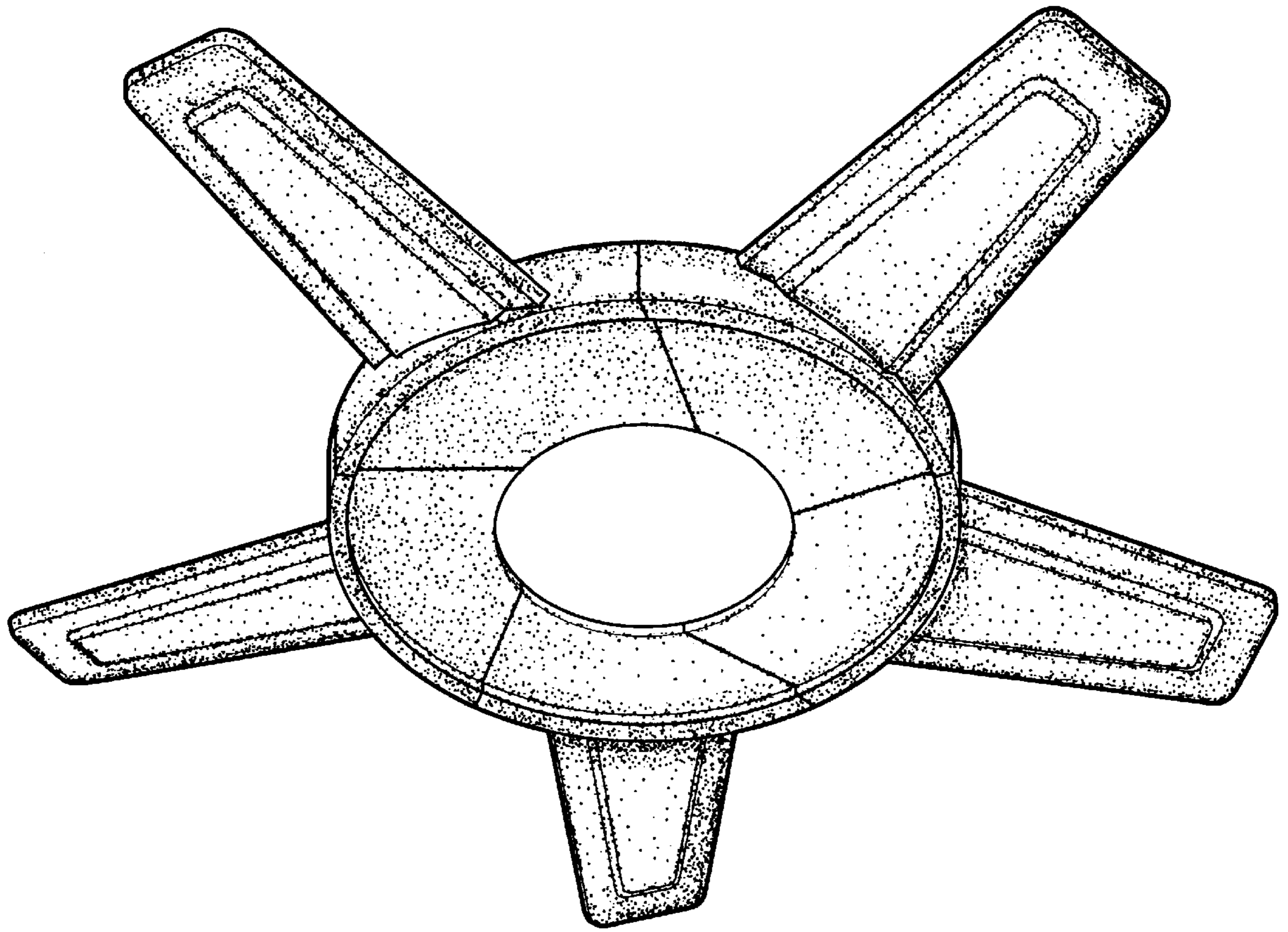


FIG. 1

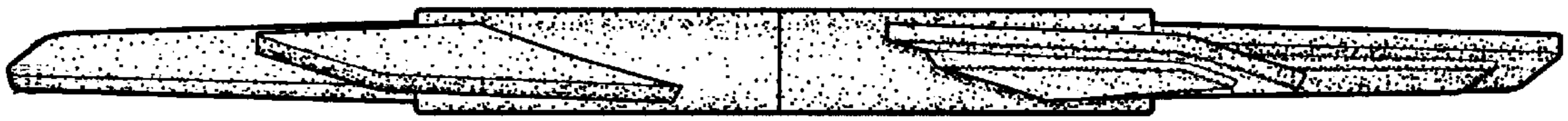


FIG. 2



FIG. 3



FIG. 4

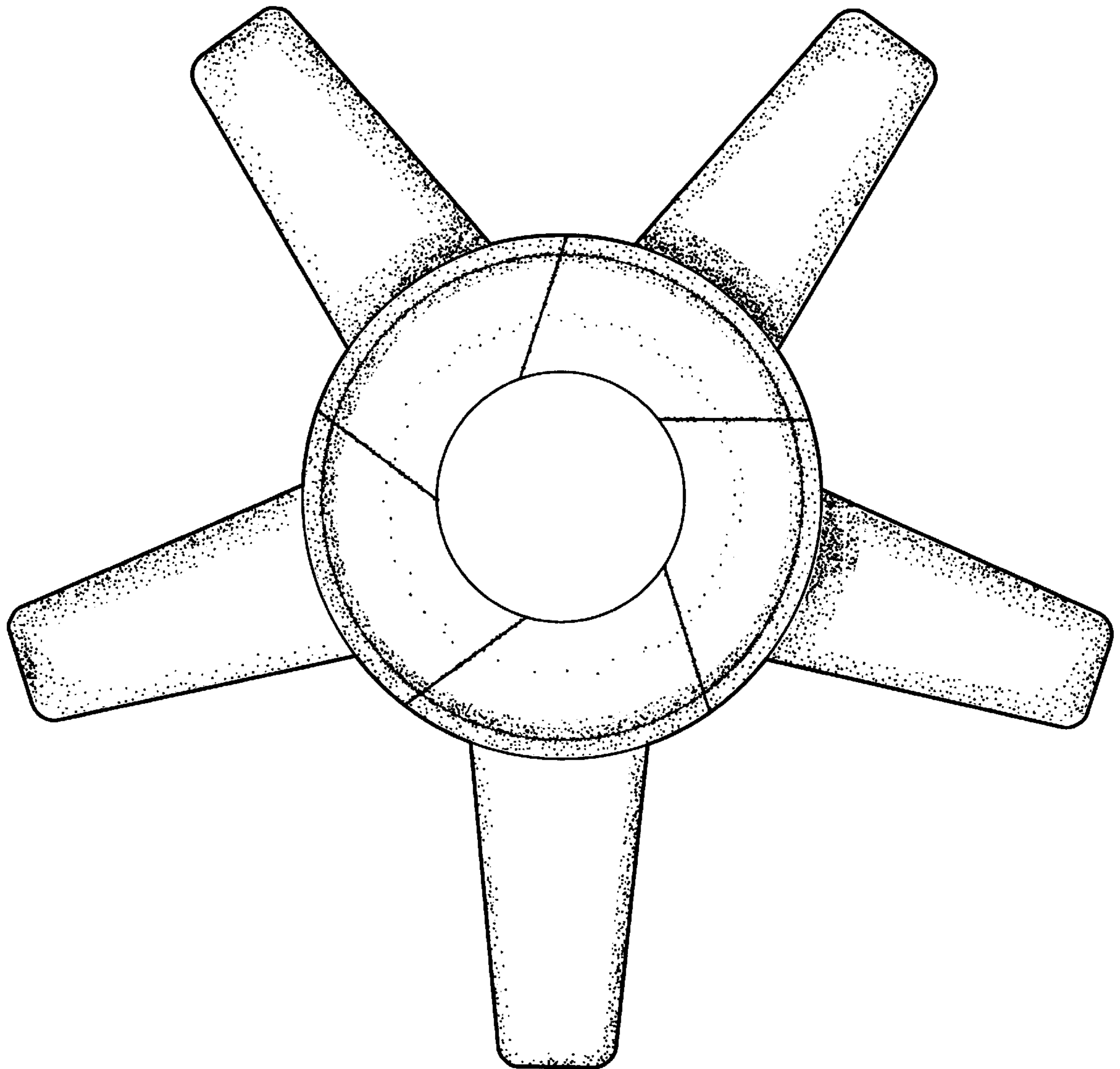


FIG. 5

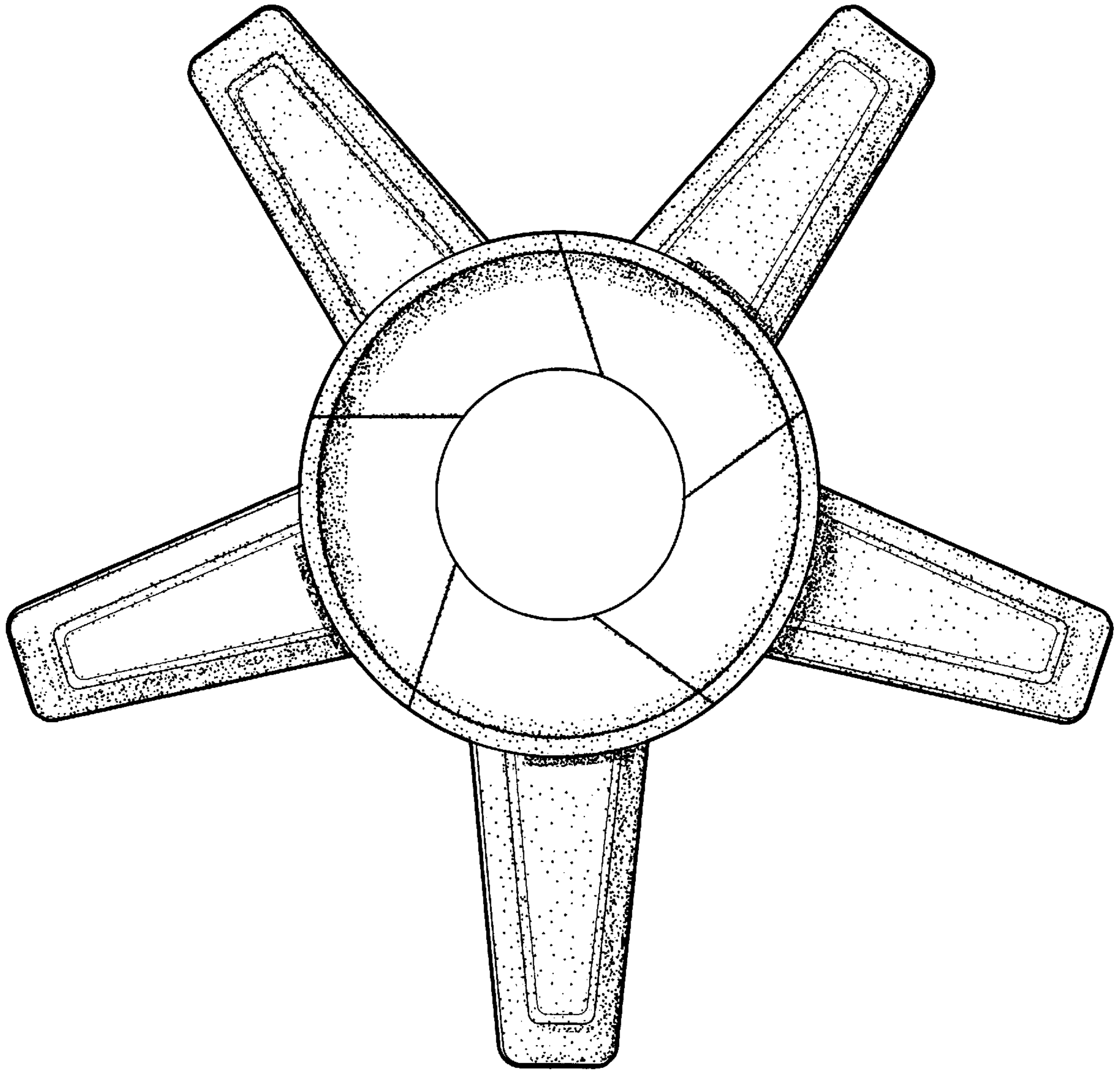


FIG. 6