



US00D437926S

(12) **United States Design Patent**
Shapiro

(10) **Patent No.:** **US D437,926 S**

(45) **Date of Patent:** **** Feb. 20, 2001**

(54) **SIX INCH PERSONAL DESK FAN**

(75) Inventor: **Barry Shapiro**, Doylestown, PA (US)

(73) Assignee: **Lasko Holdings, INC**, West Chester, PA (US)

(**) Term: **14 Years**

(21) Appl. No.: **29/124,254**

(22) Filed: **Jun. 5, 2000**

(51) **LOC (7) Cl.** **23-04**

(52) **U.S. Cl.** **D23/382**

(58) **Field of Search** D23/382, 381,
D23/370; 416/244, 246, 247

(56) **References Cited**

U.S. PATENT DOCUMENTS

D. 104,259 * 4/1937 Heller D23/382

D. 294,968 * 3/1988 Shin-Chin D23/382

D. 398,983 * 9/1998 Keller et al. D23/382

* cited by examiner

Primary Examiner—Lisa Lichtenstein

(74) *Attorney, Agent, or Firm*—Zachary T. Wobensmith, III

(57) **CLAIM**

The ornamental design for a six inch personal desk fan, as shown and described.

DESCRIPTION

FIG. 1 is a perspective view of a six inch personal desk fan showing my new design;

FIG. 2 is a front elevational view thereof;

FIG. 3 is a rear elevational view thereof;

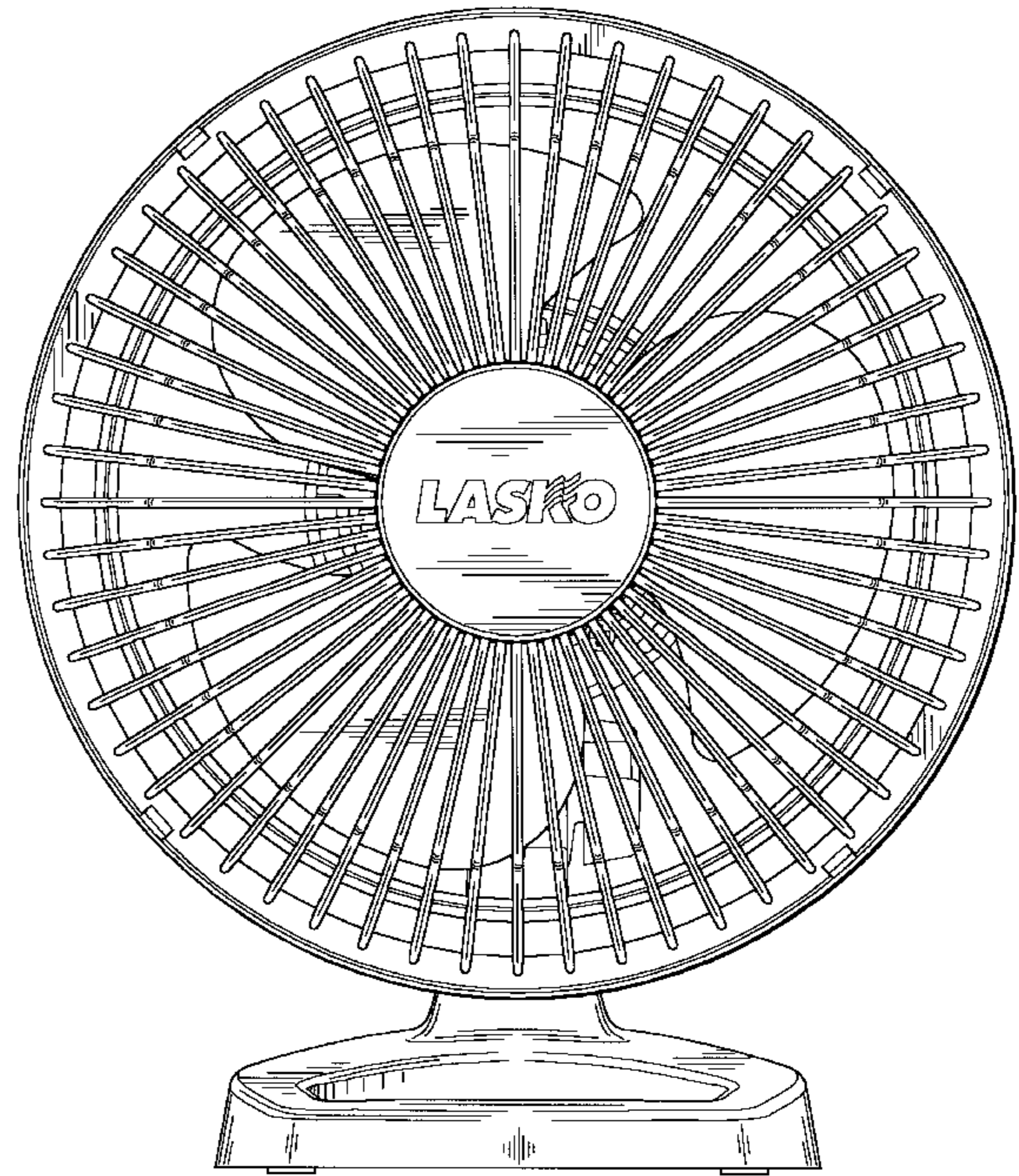
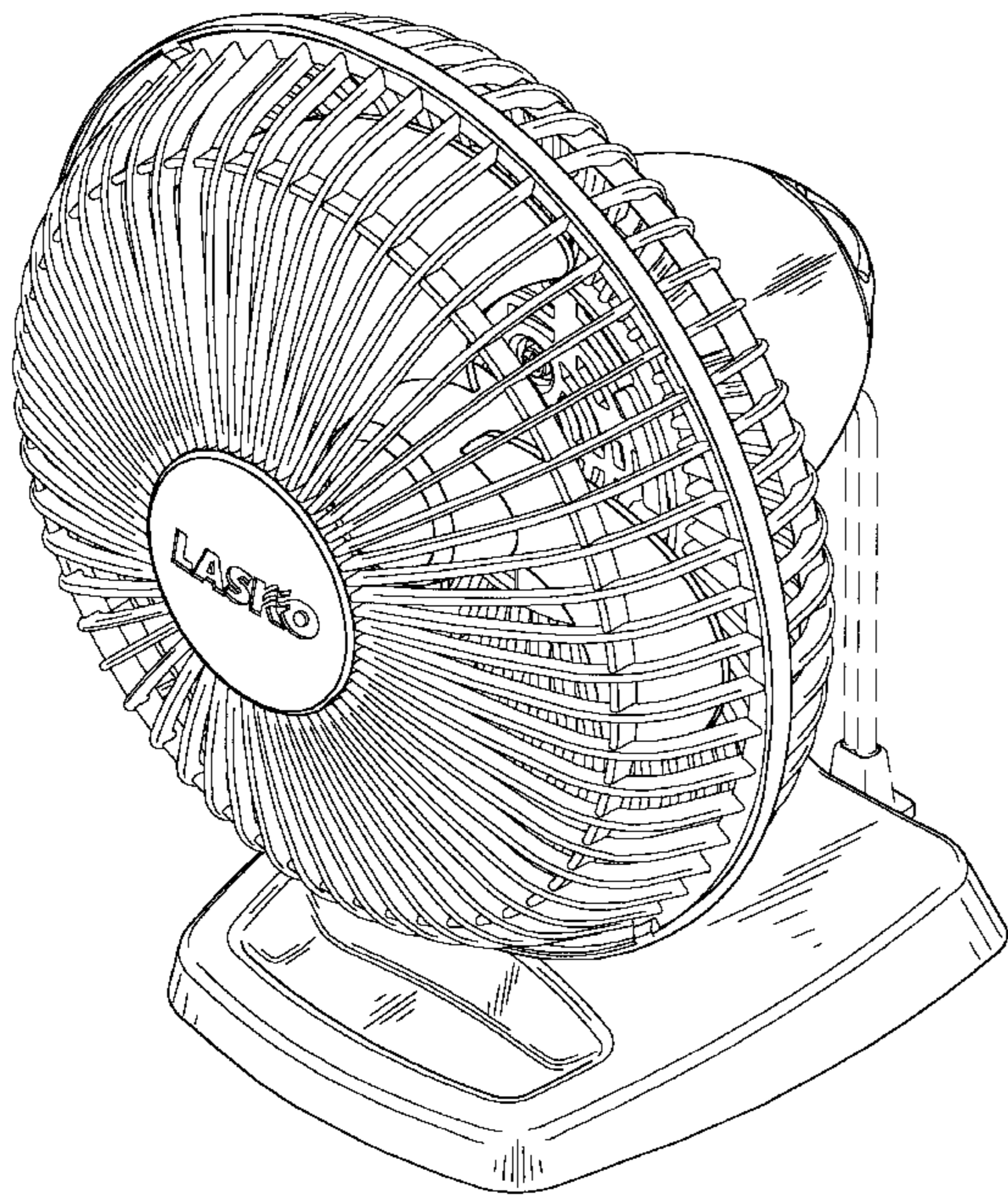
FIG. 4 is a top plan view thereof;

FIG. 5 is a left side elevational view thereof; and,

FIG. 6 is a right side elevational view thereof.

The surface(s) or portion(s) of the article not shown in the drawing or described in the specification form(s) no part of the claimed design.

1 Claim, 6 Drawing Sheets



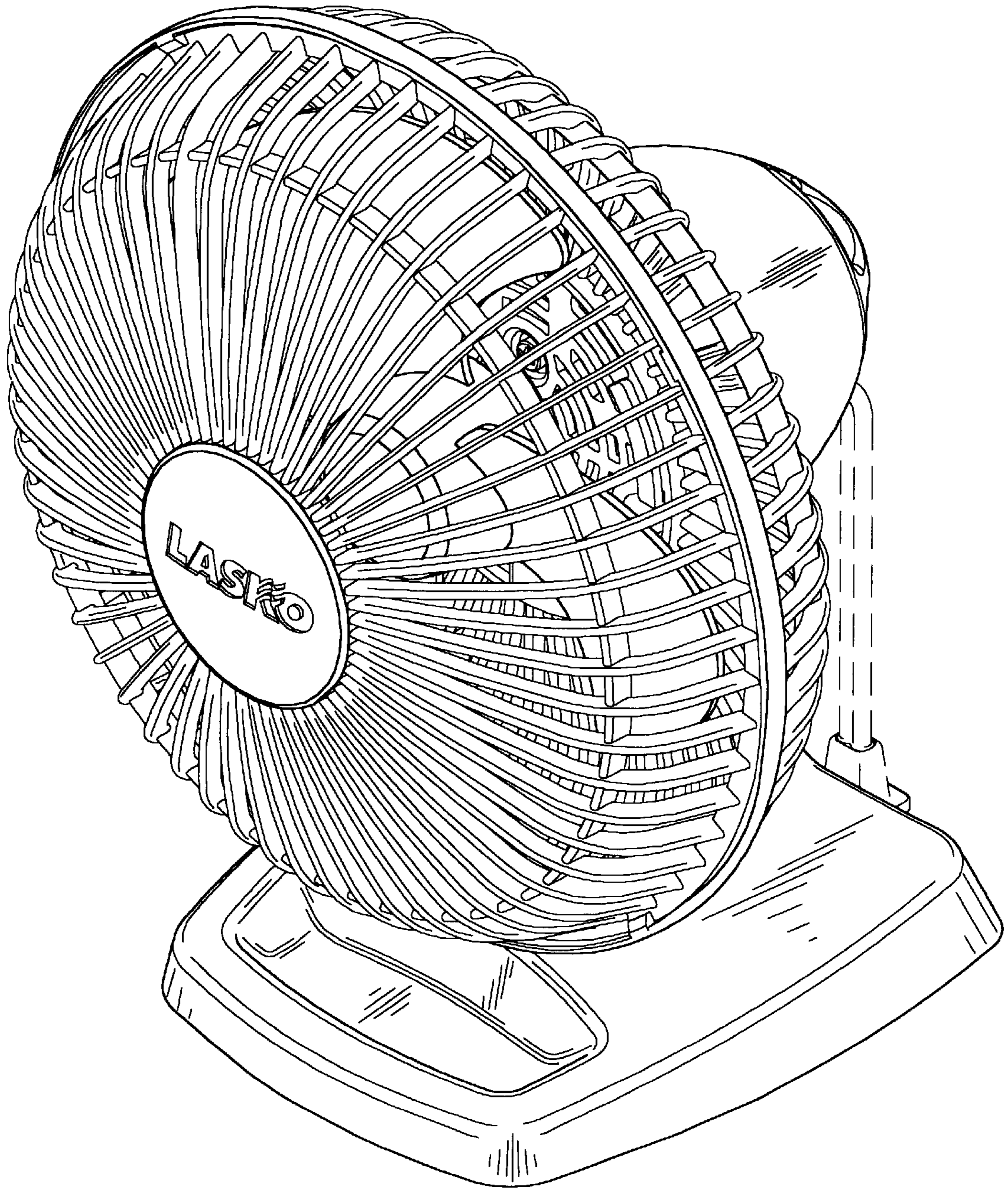


Fig. 1

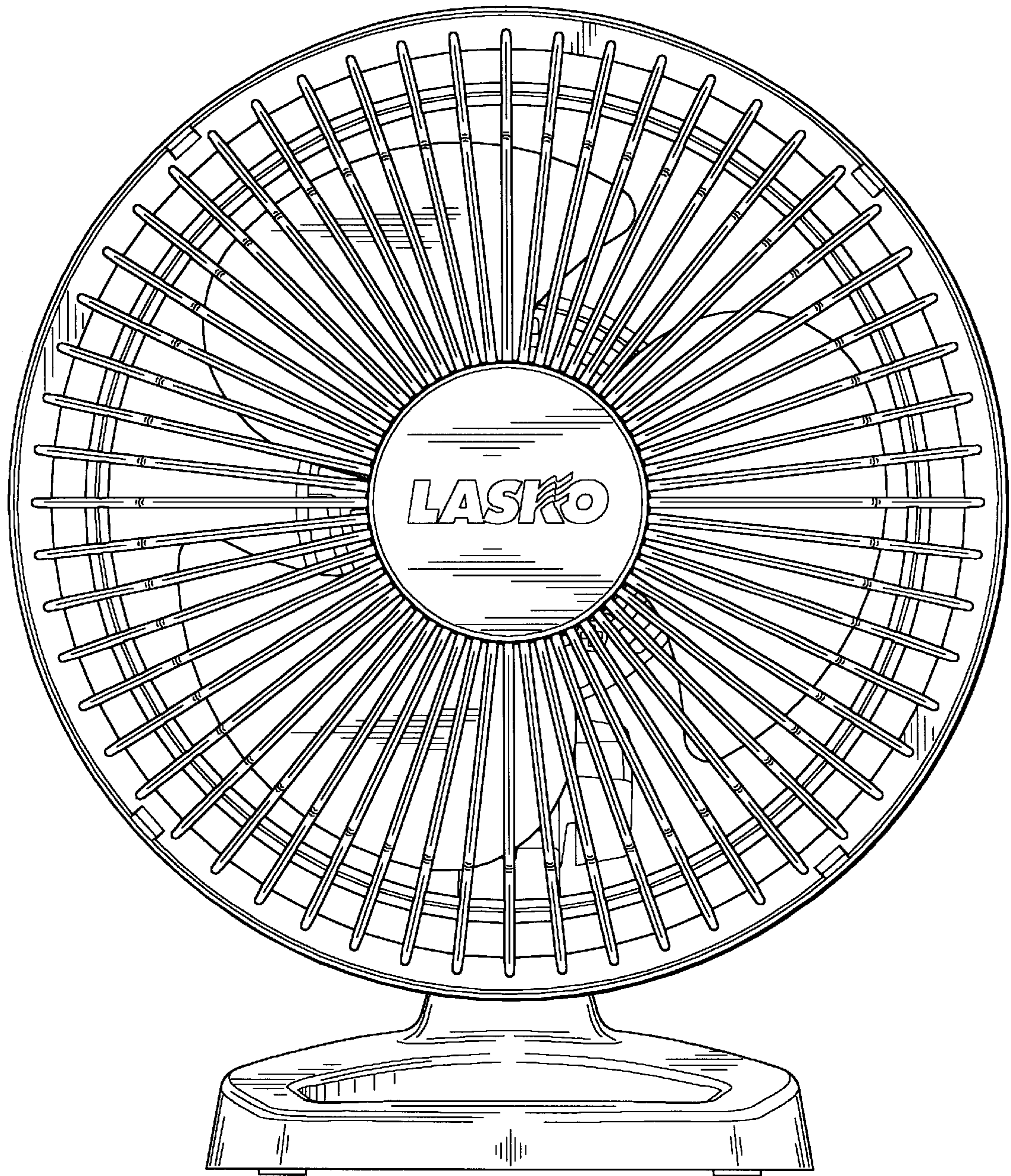


Fig. 2

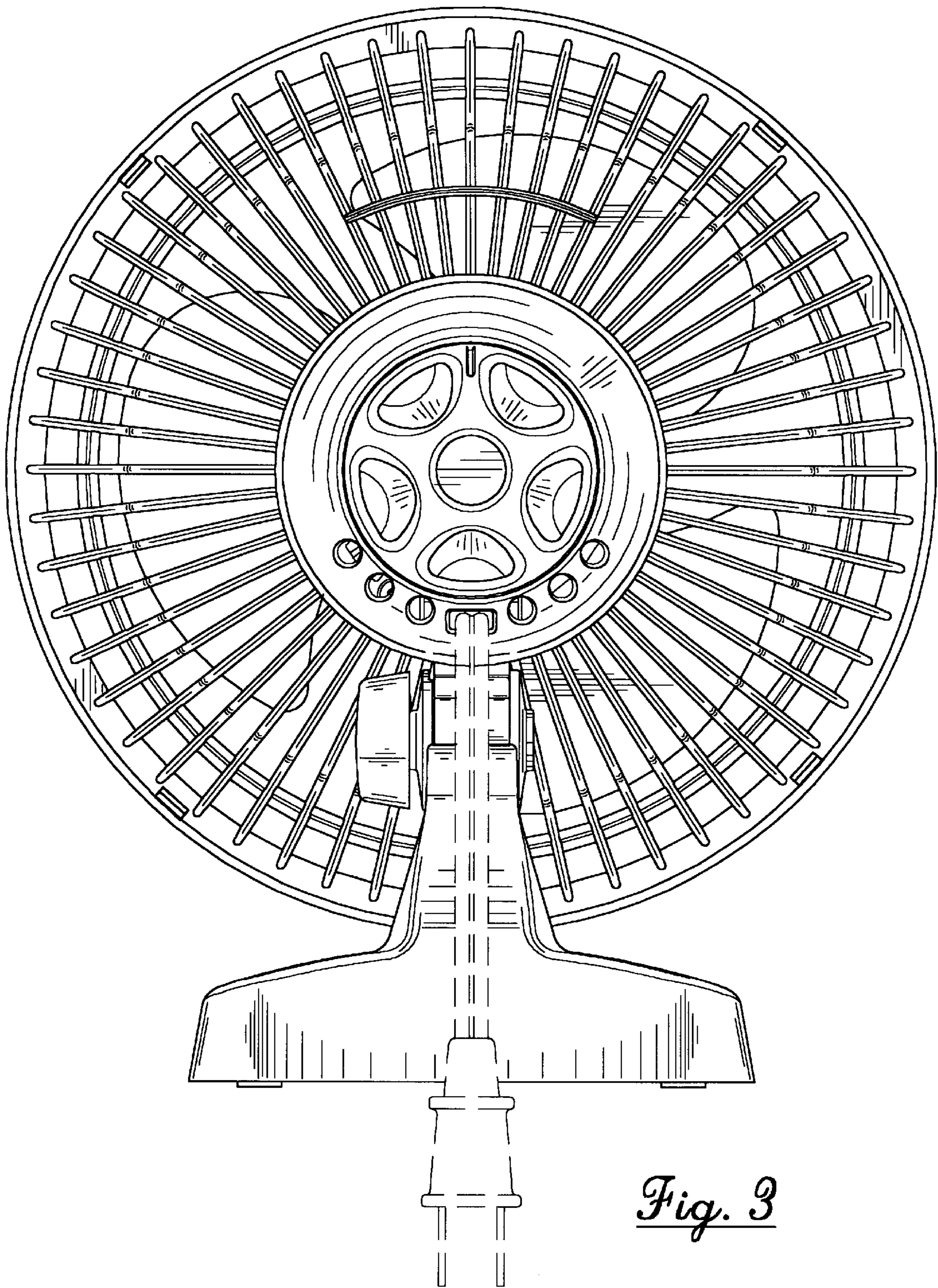


Fig. 3

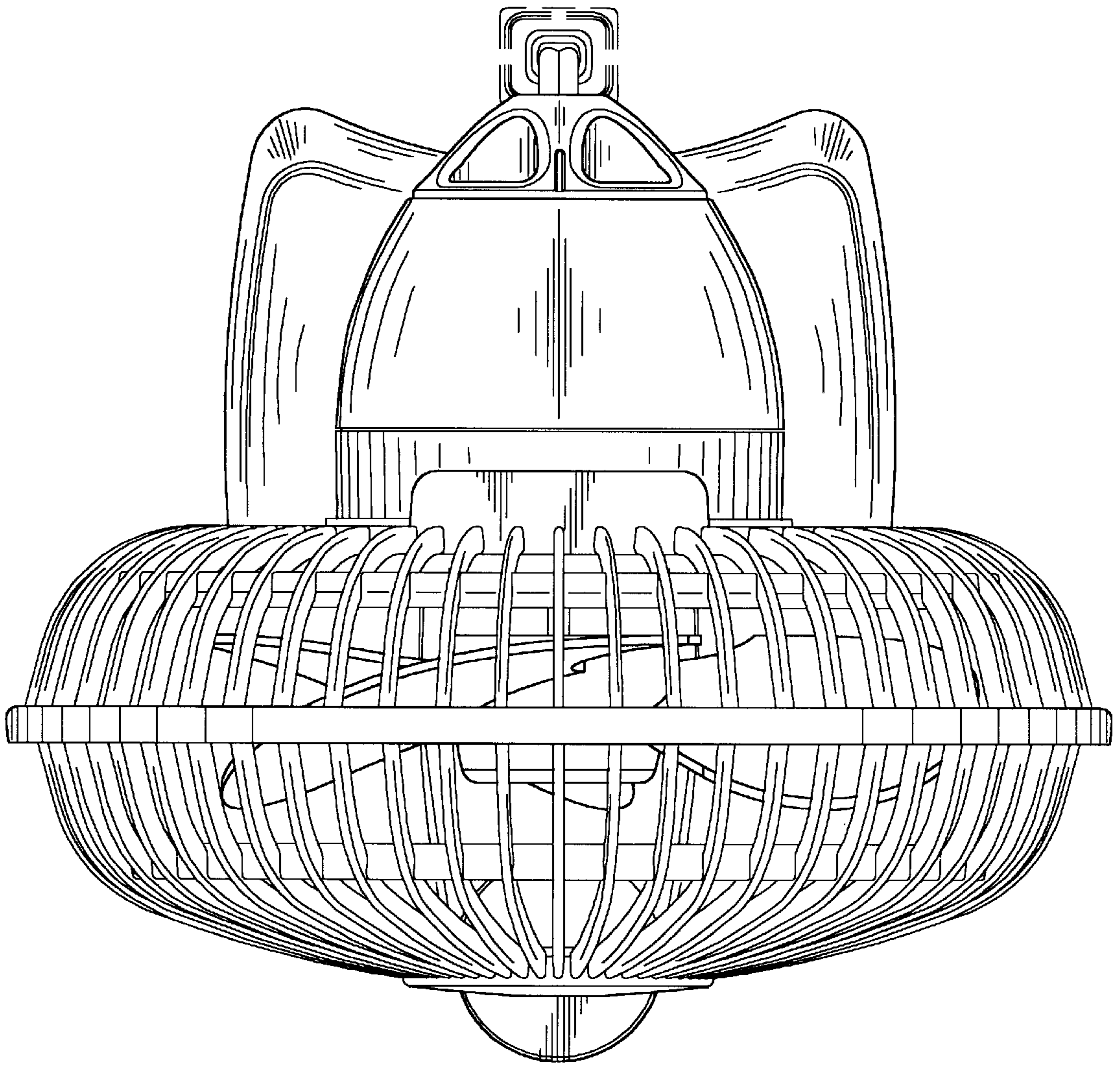


Fig. 4

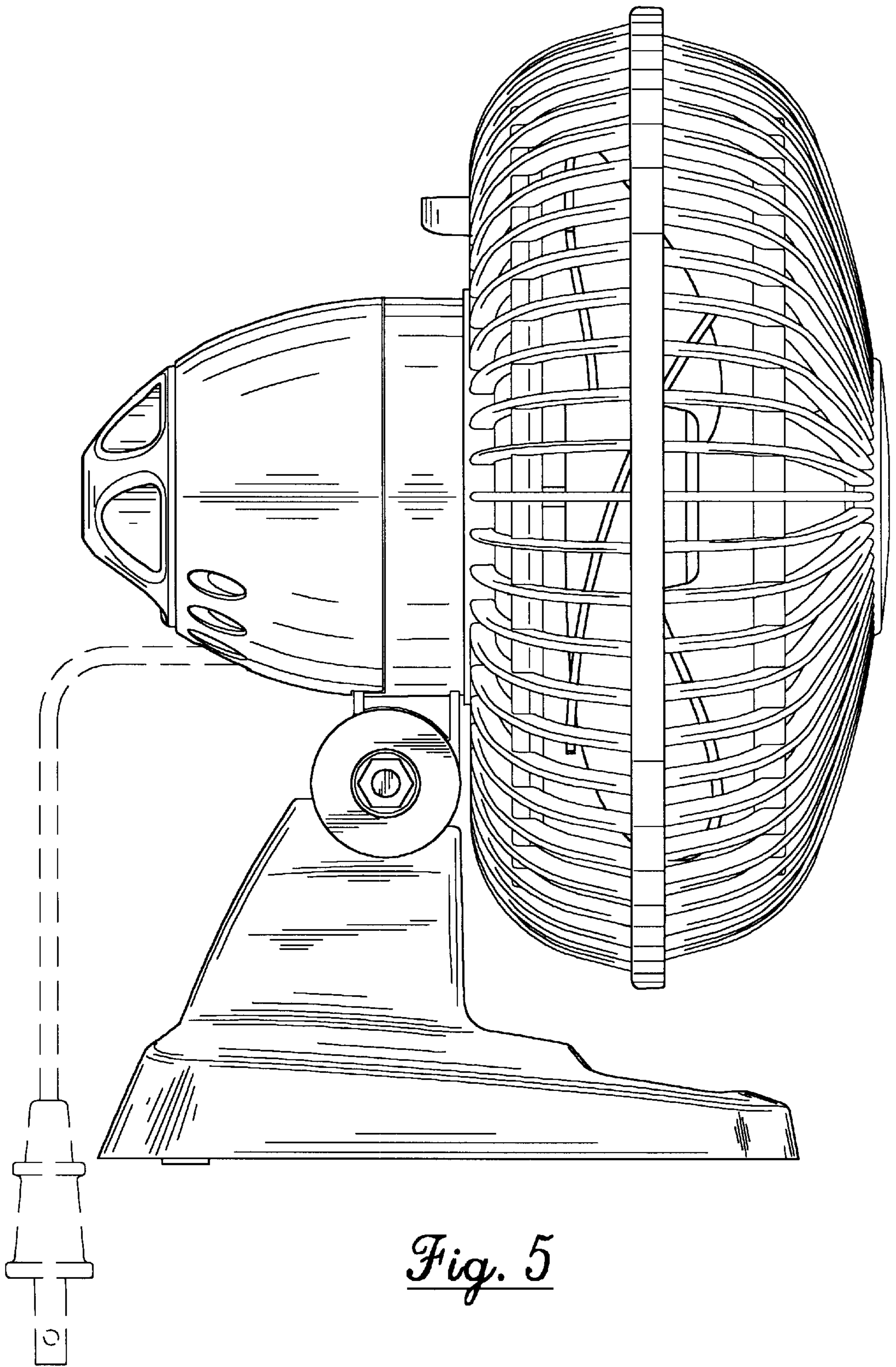


Fig. 5

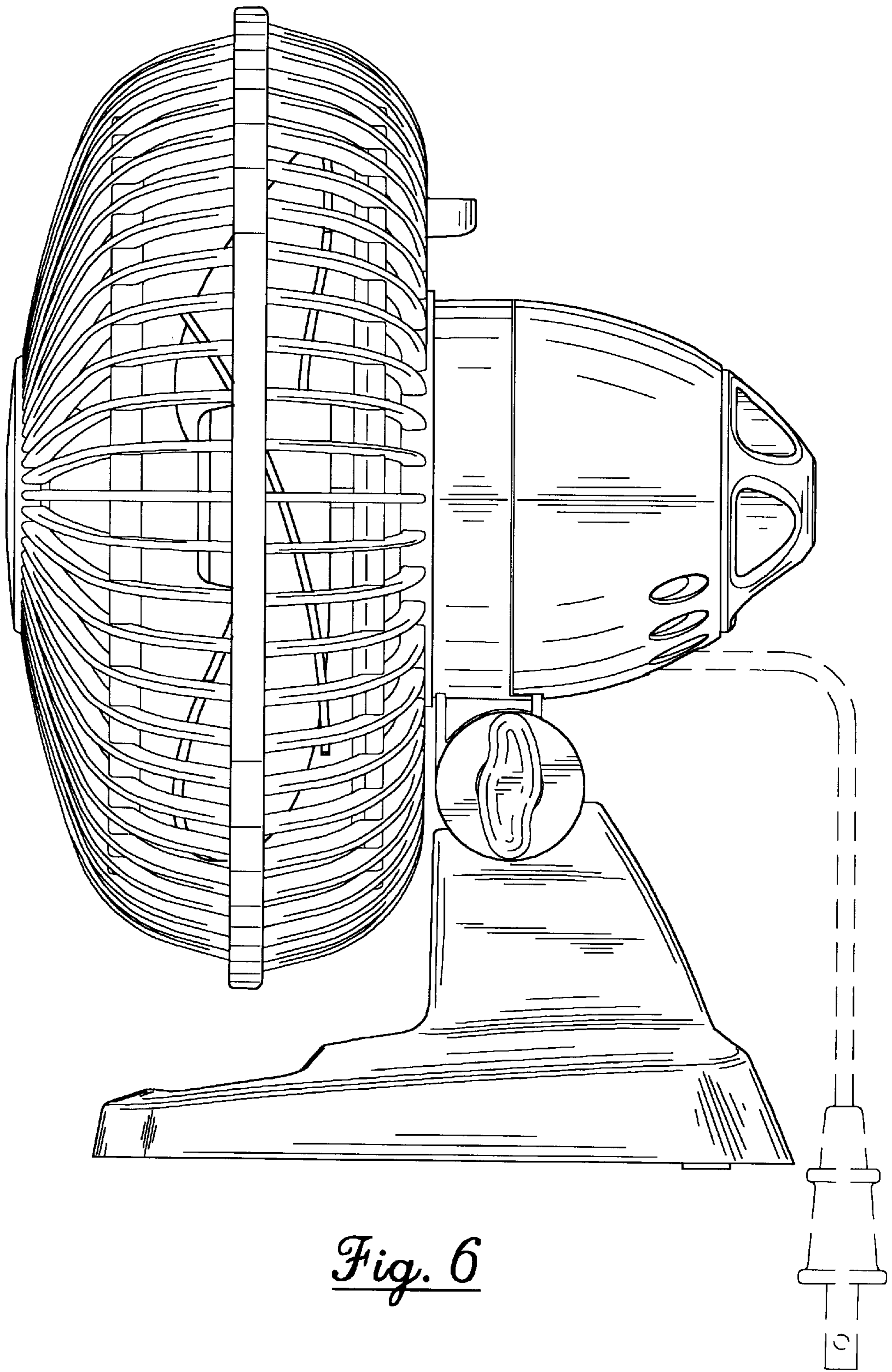


Fig. 6