



US00D437924S

(12) **United States Design Patent**  
**Wu**

(10) **Patent No.:** **US D437,924 S**

(45) **Date of Patent:** **\*\* Feb. 20, 2001**

(54) **ROOM DEODORANT DISPENSER**

(75) Inventor: **Henry Wu**, West Hartford, CT (US)

(73) Assignee: **Aromate Industries Co., Ltd** (TW)

(\*\*) Term: **14 Years**

(21) Appl. No.: **29/121,241**

(22) Filed: **Apr. 3, 2000**

(51) **LOC (7) Cl.** ..... **23-04**

(52) **U.S. Cl.** ..... **D23/367**

(58) **Field of Search** ..... D23/366-369;  
239/55, 34, 211, 60; 422/123; 261/DIG. 65;  
D11/121, 125

(56) **References Cited**

**U.S. PATENT DOCUMENTS**

D. 350,082 \* 8/1994 Tiez ..... D11/157  
D. 422,350 \* 4/2000 Wu ..... D23/367

\* cited by examiner

*Primary Examiner*—Lisa Lichtenstein  
(74) *Attorney, Agent, or Firm*—Ira S. Dorman

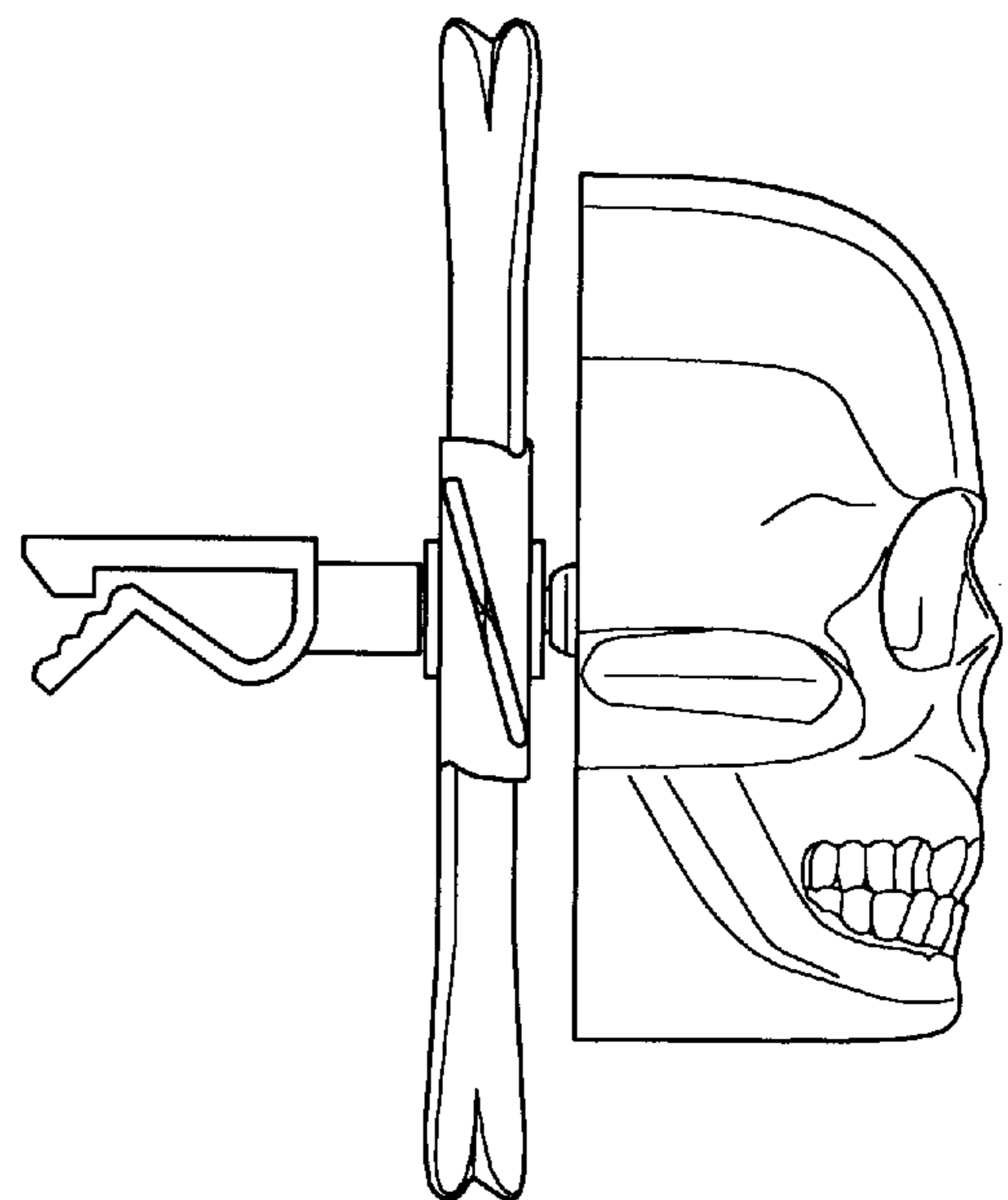
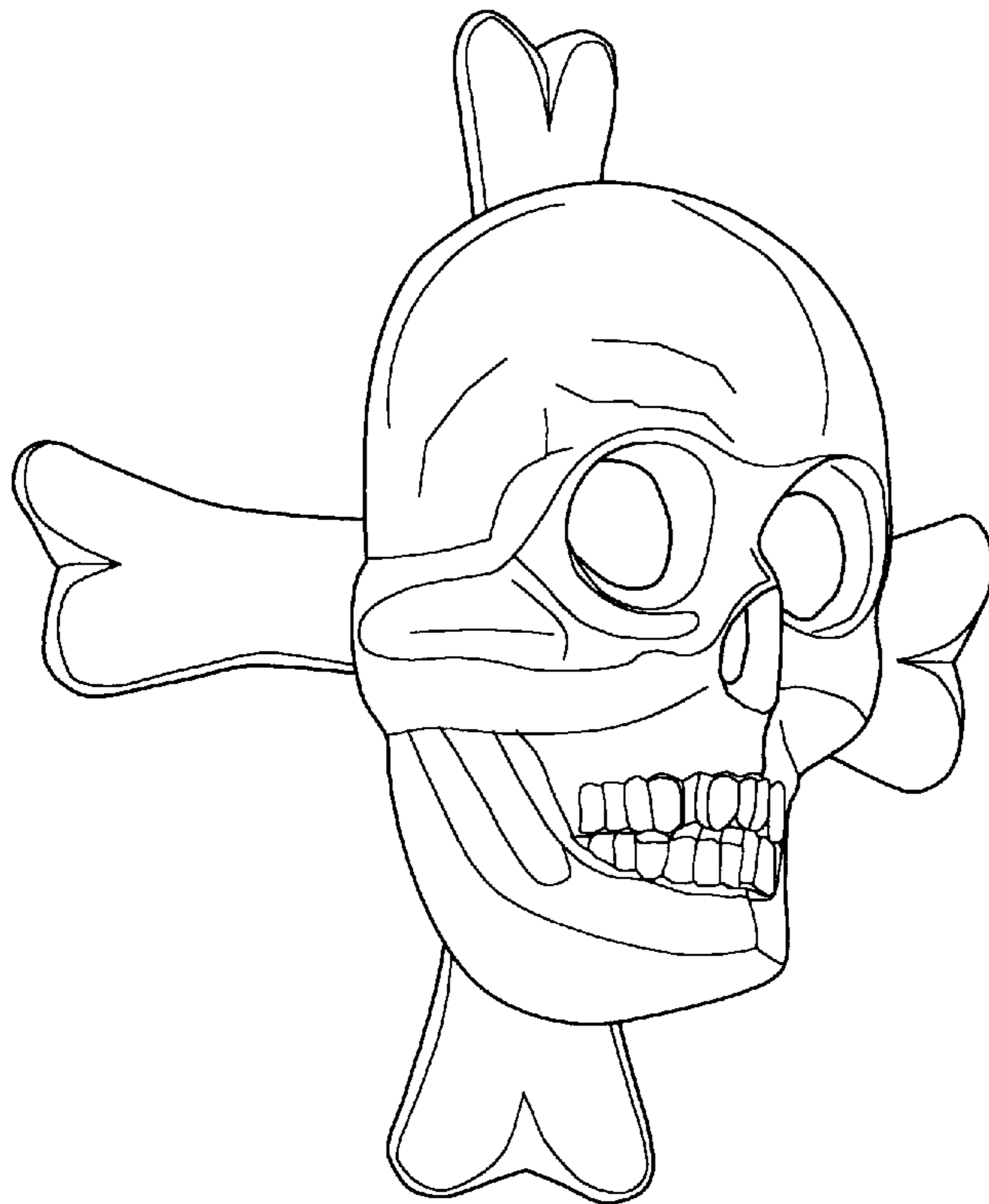
(57) **CLAIM**

The ornamental design for a room deodorant dispenser, as shown.

**DESCRIPTION**

FIG. 1 is a perspective view of a room deodorant dispenser embodying the present invention;  
FIG. 2 is a front view of the dispenser;  
FIG. 3 is a rear view of the dispenser;  
FIG. 4 is a right side view of the dispenser;  
FIG. 5 is a left side view of the dispenser;  
FIG. 6 is a top view of the dispenser; and,  
FIG. 7 is a bottom view of the dispenser.

**1 Claim, 4 Drawing Sheets**



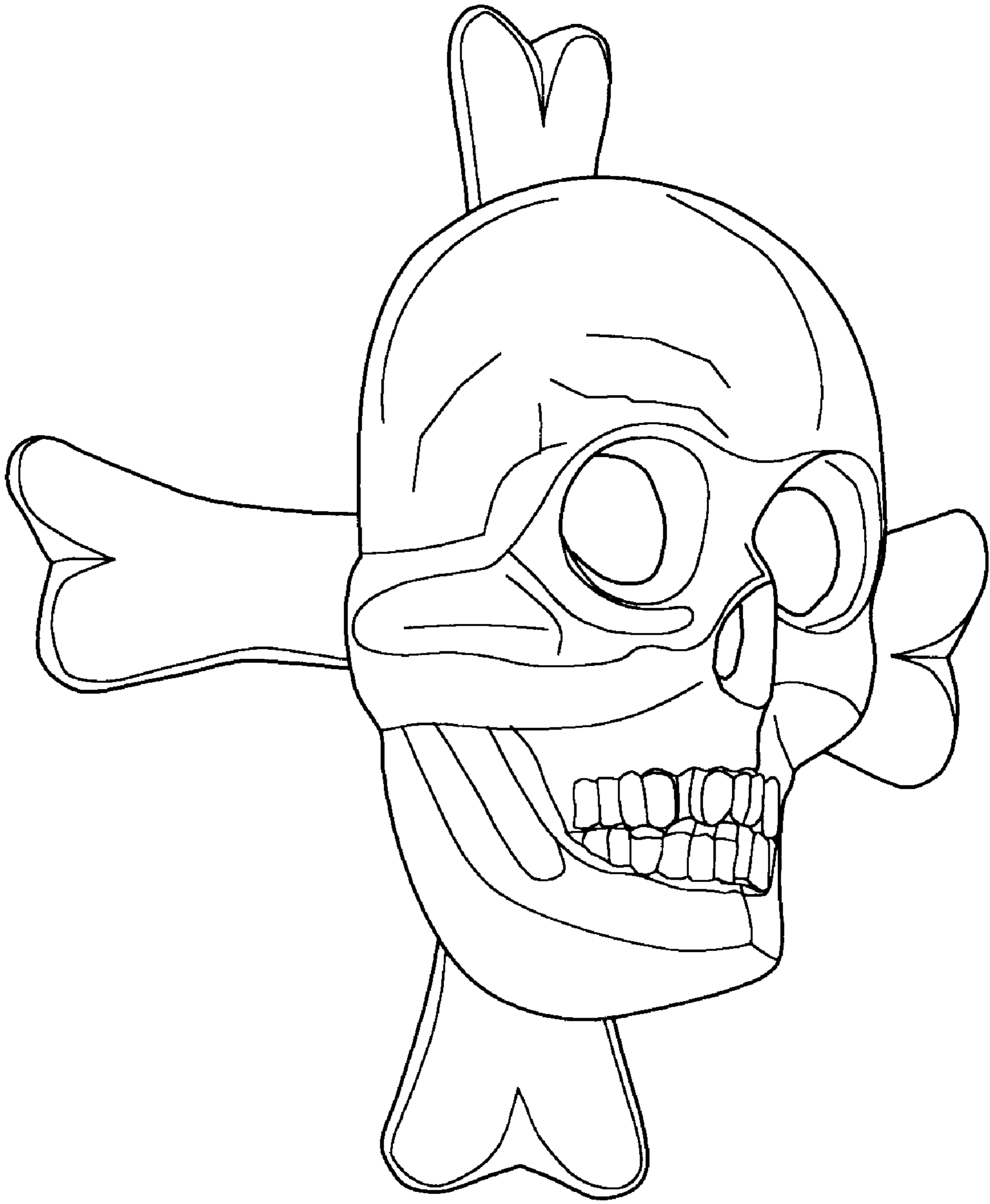


FIG. 1

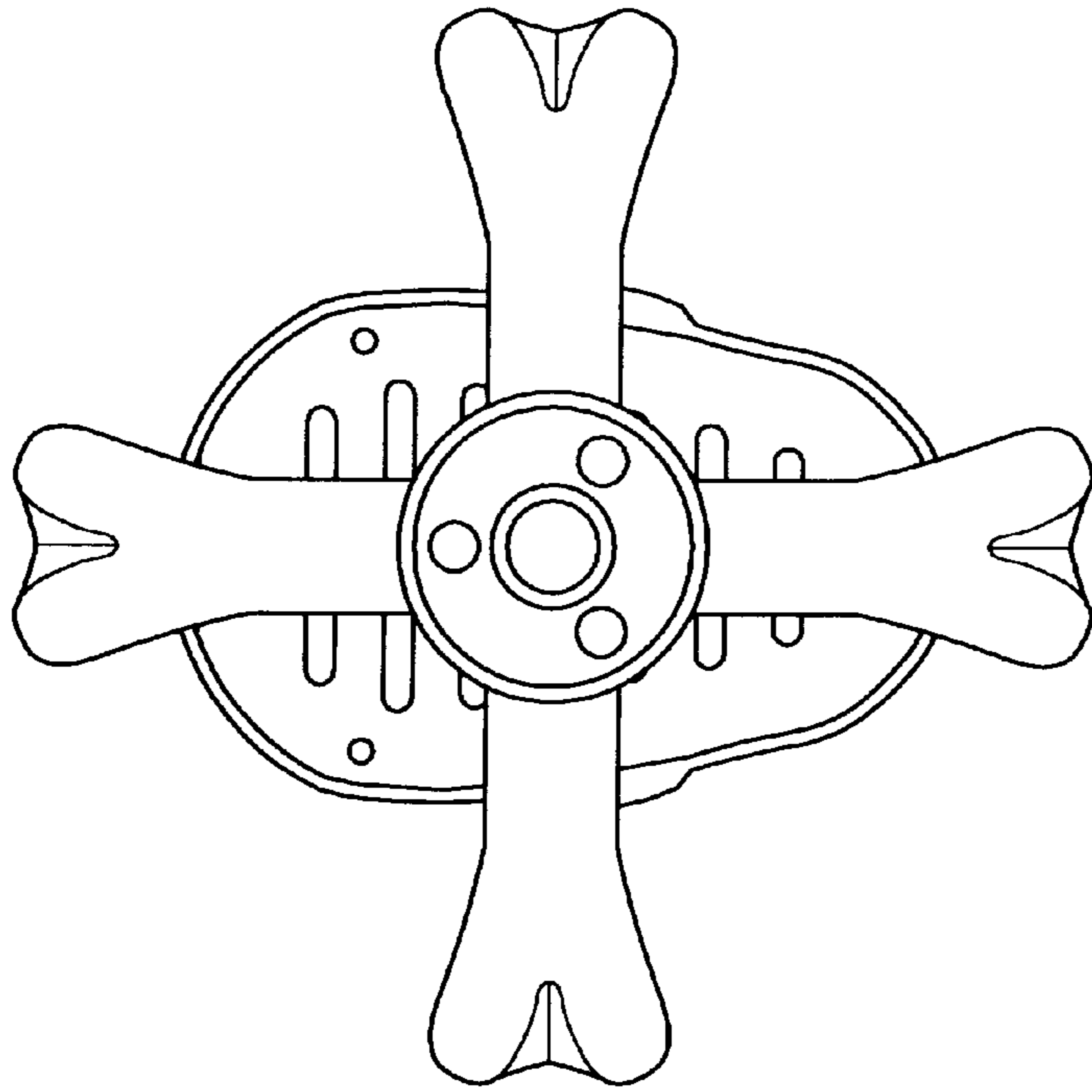


FIG.3

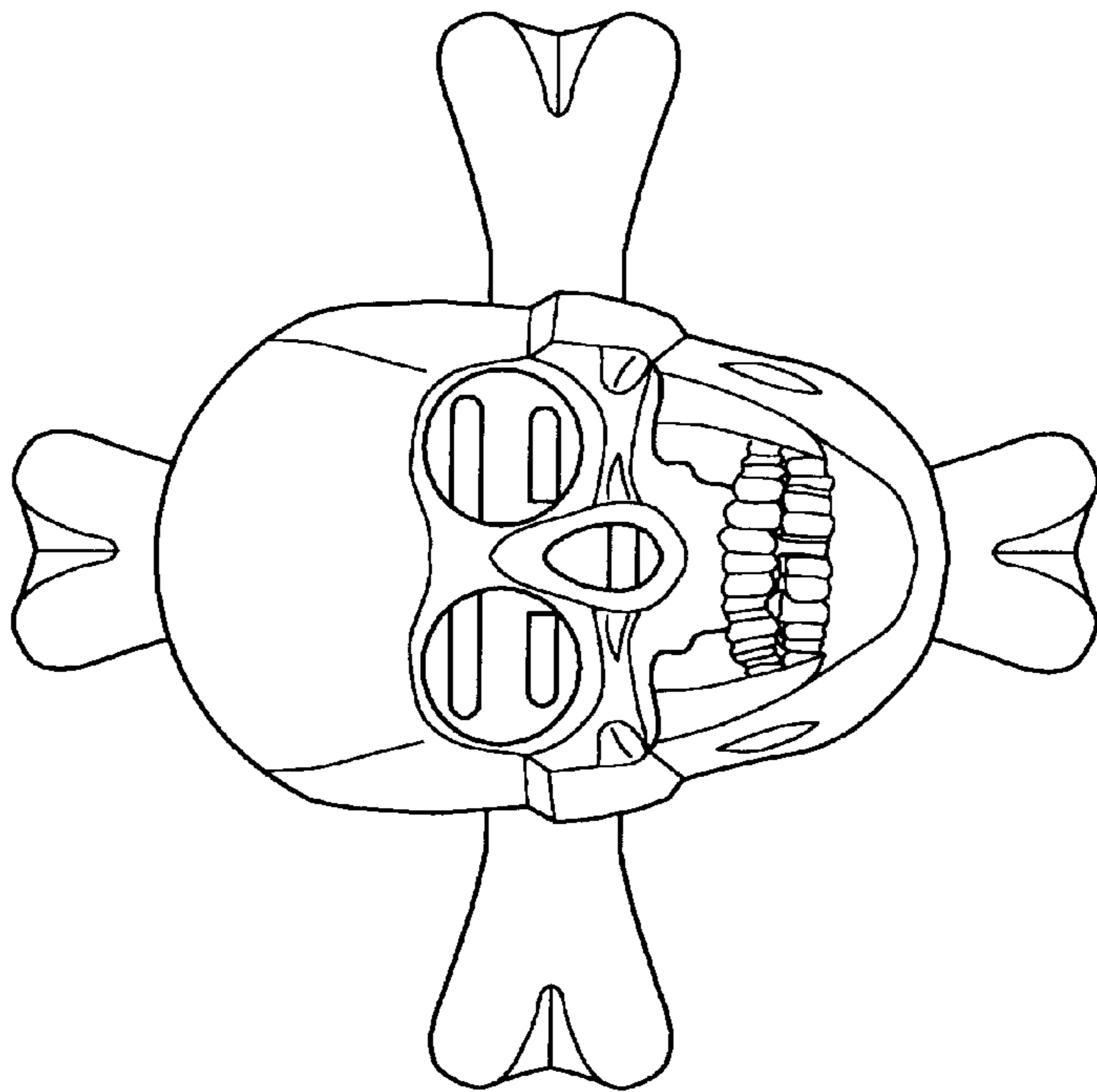


FIG.2

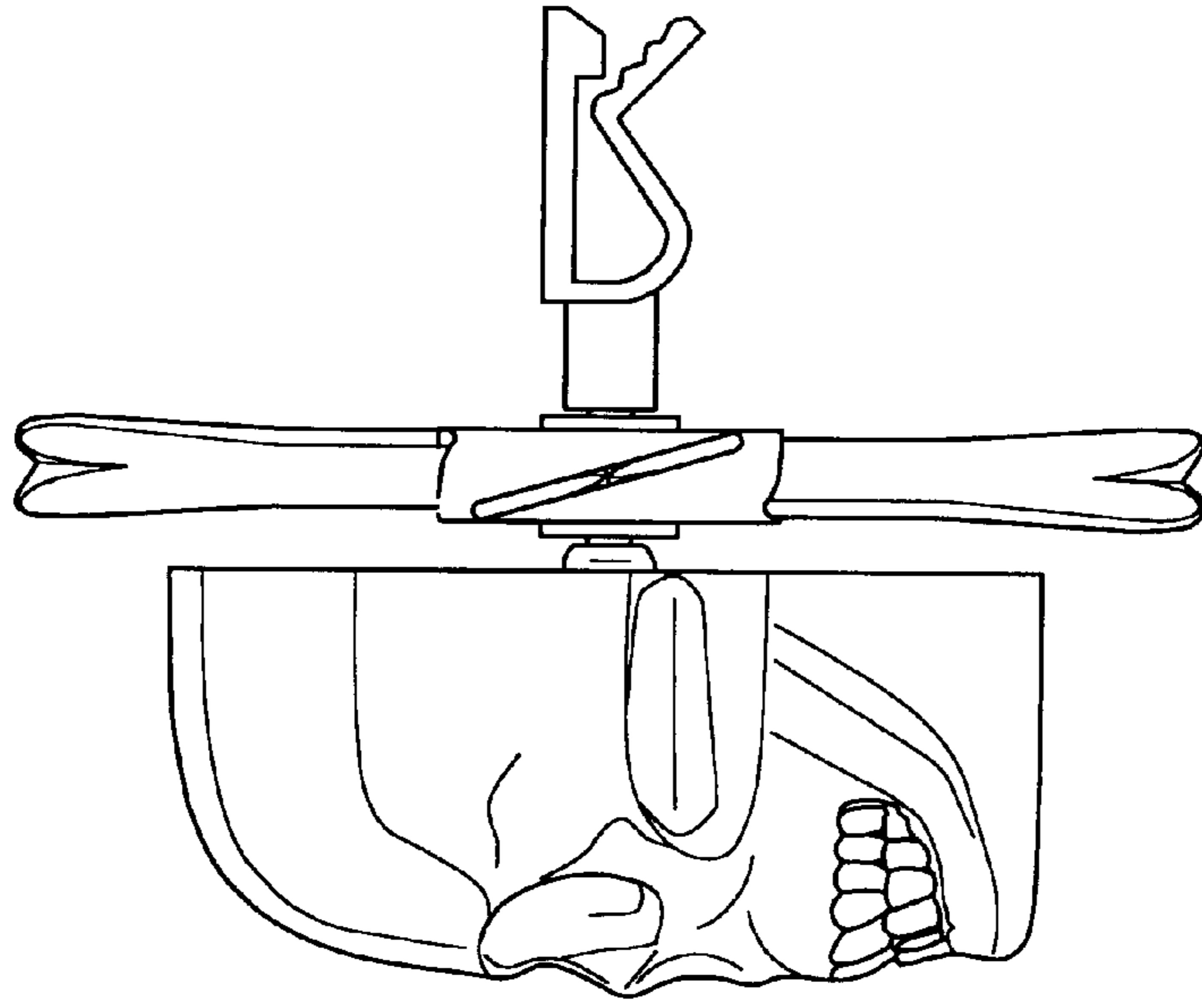


FIG.5

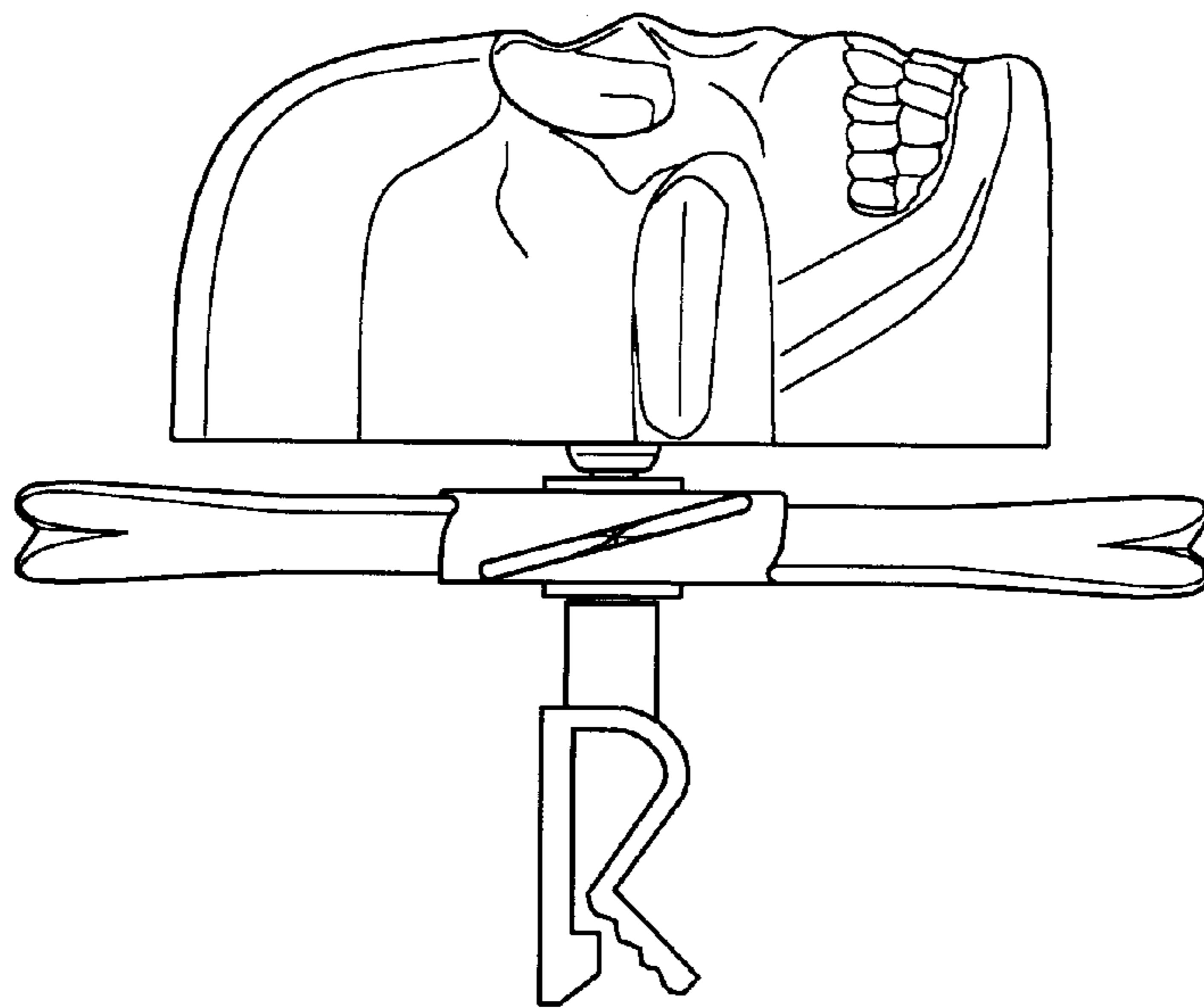


FIG.4

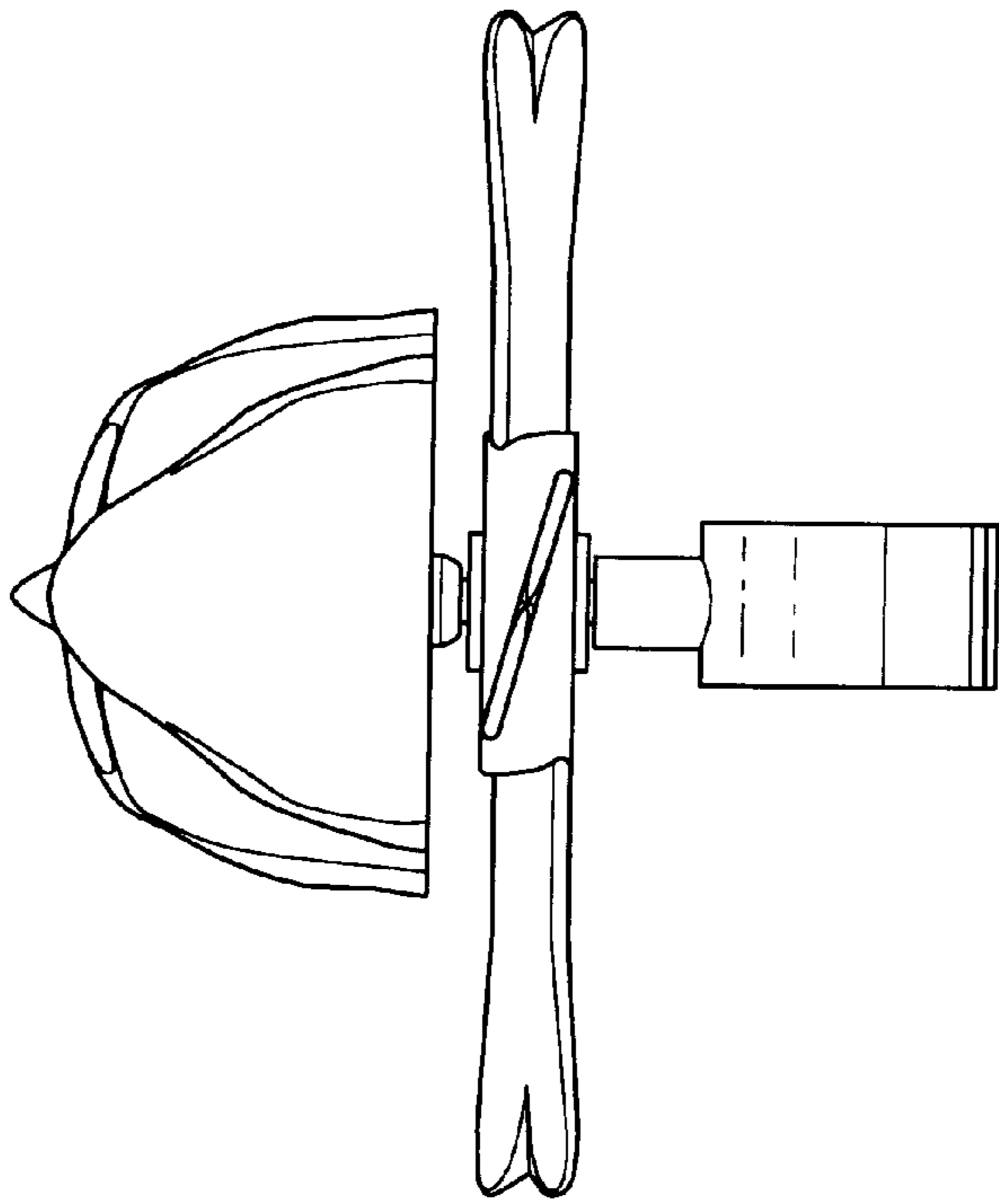


FIG. 7

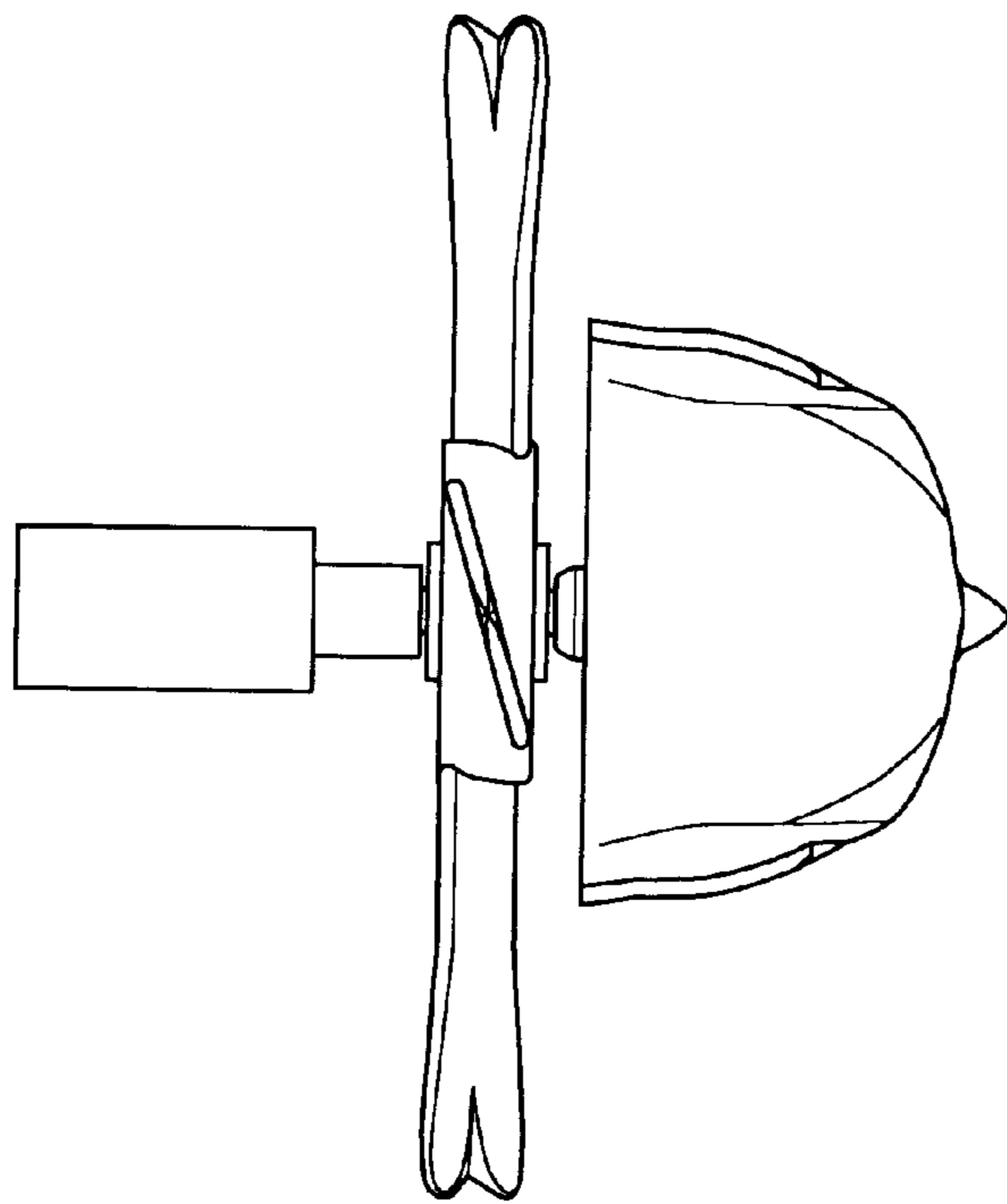


FIG. 6