



US00D437923S

(12) **United States Design Patent**
Weick

(10) **Patent No.:** **US D437,923 S**

(45) **Date of Patent:** **** Feb. 20, 2001**

(54) **DIFFUSER**

4,258,874 * 3/1981 Webinger et al. 239/59
4,279,373 * 7/1981 Montealegre 239/59

(76) Inventor: **Heinz Hermann Weick**, 94 rue de la
Servette, CH-1202 Geneva (CH)

FOREIGN PATENT DOCUMENTS

(**) Term: **14 Years**

DM/018 163 * 11/1990 (XH) .

(21) Appl. No.: **29/088,913**

* cited by examiner

(22) Filed: **Jun. 3, 1998**

Primary Examiner—Lisa Lichtenstein

(30) **Foreign Application Priority Data**

Dec. 3, 1997 (CH) 124 700
Feb. 10, 1998 (CH) 124 833

(74) *Attorney, Agent, or Firm*—Jacobson, Price, Holman &
Stern, PLLC

(51) **LOC (7) Cl.** **23-04**

(52) **U.S. Cl.** **D23/367; D23/366; D23/369**

(58) **Field of Search** D23/355, 366–369;
239/34, 57–59, 211, 60; 261/DIG. 65; 422/305,
120

(57) **CLAIM**

The ornamental design for a diffuser, as shown.

(56) **References Cited**

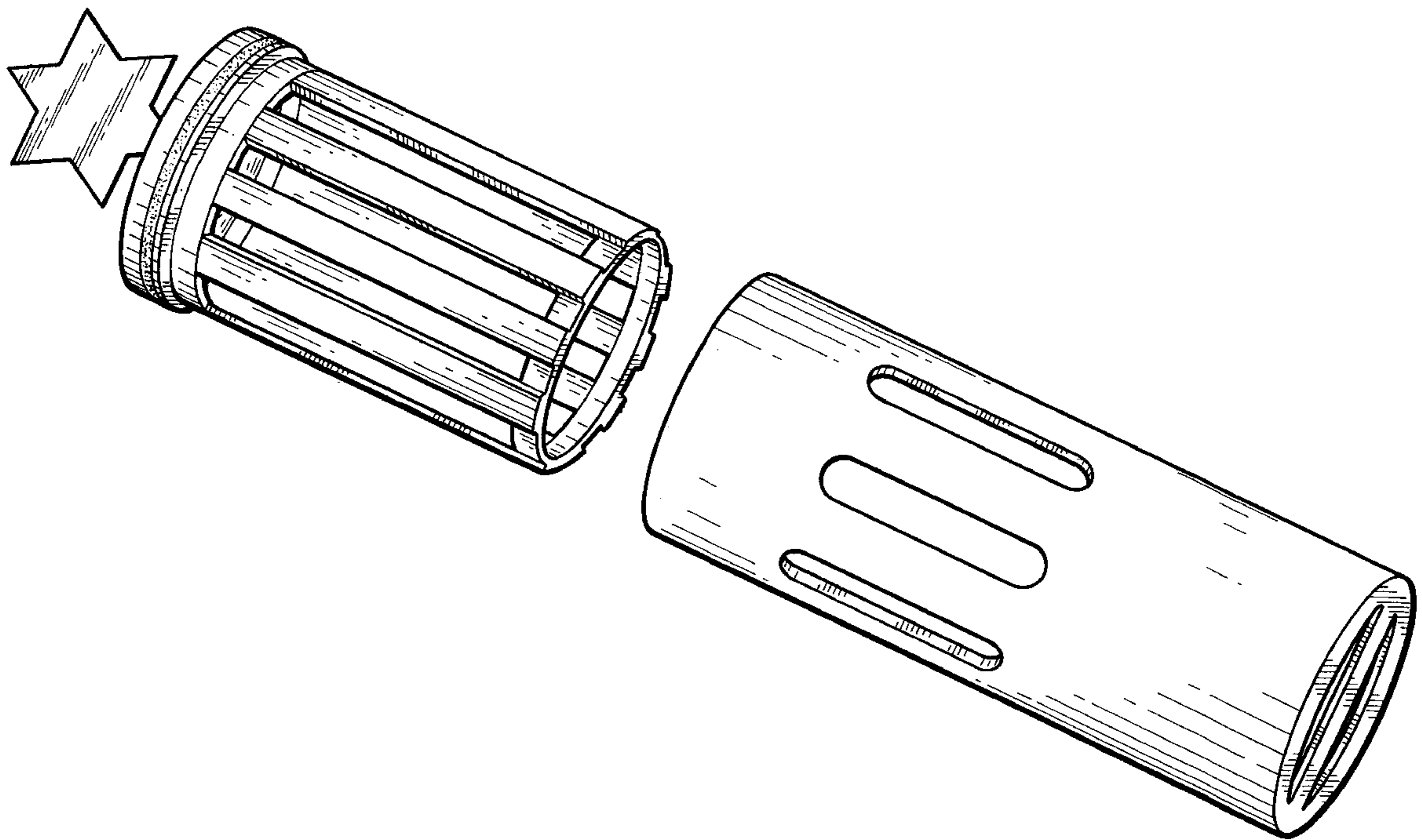
U.S. PATENT DOCUMENTS

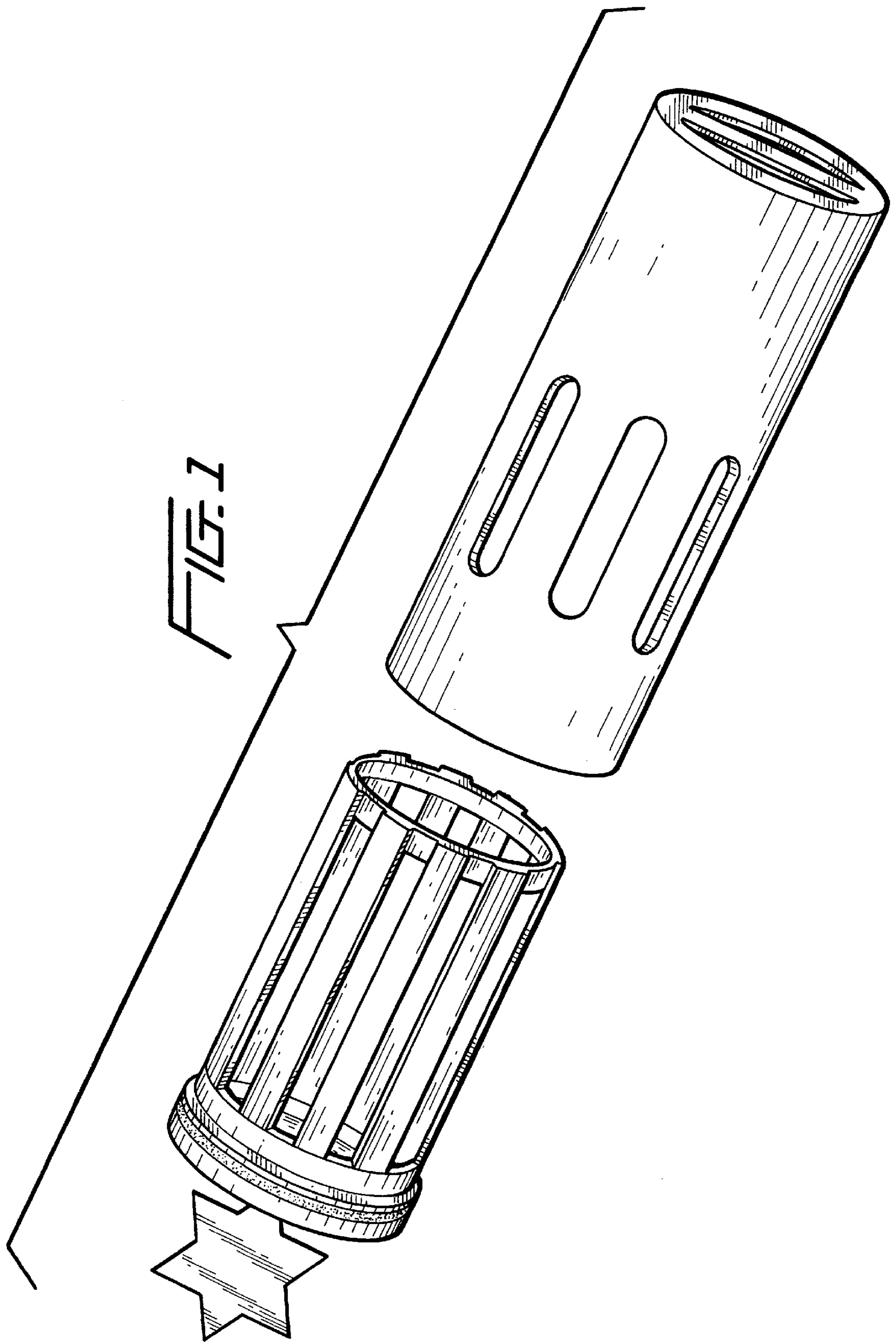
D. 174,465 * 4/1955 Paxton D23/369
2,797,844 * 7/1957 Meek 239/59
4,220,281 * 9/1980 Martens, III 239/59

DESCRIPTION

FIG. 1 is a perspective, exploded view of a diffuser showing
my new design,
FIG. 2 is a top view thereof,
FIG. 3 is a bottom view thereof,
FIG. 4 is a front view thereof,
FIG. 5 is a left side view thereof,
FIG. 6 is a rear view thereof; and,
FIG. 7 is a right side view thereof.

1 Claim, 3 Drawing Sheets





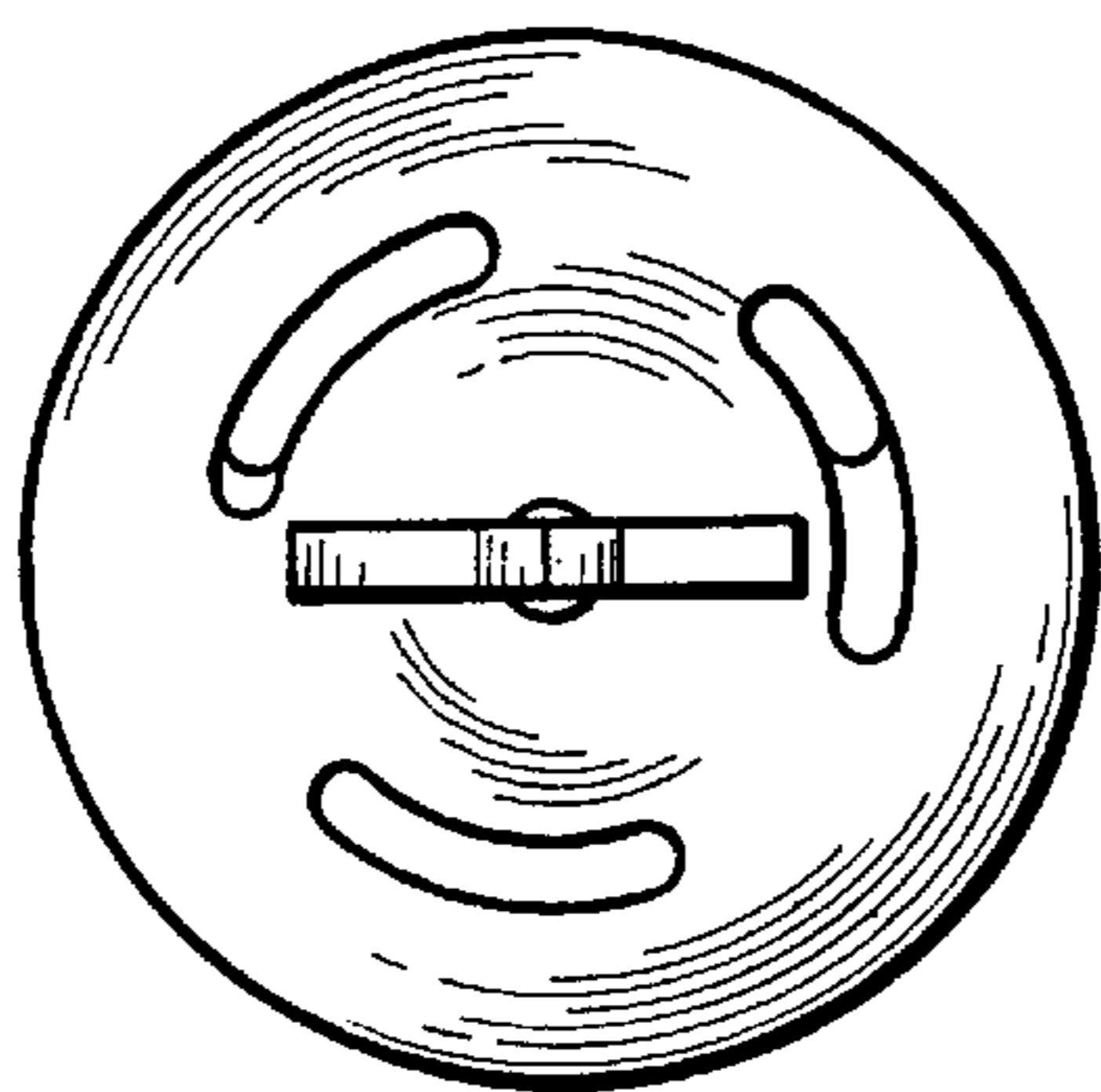


FIG. 2

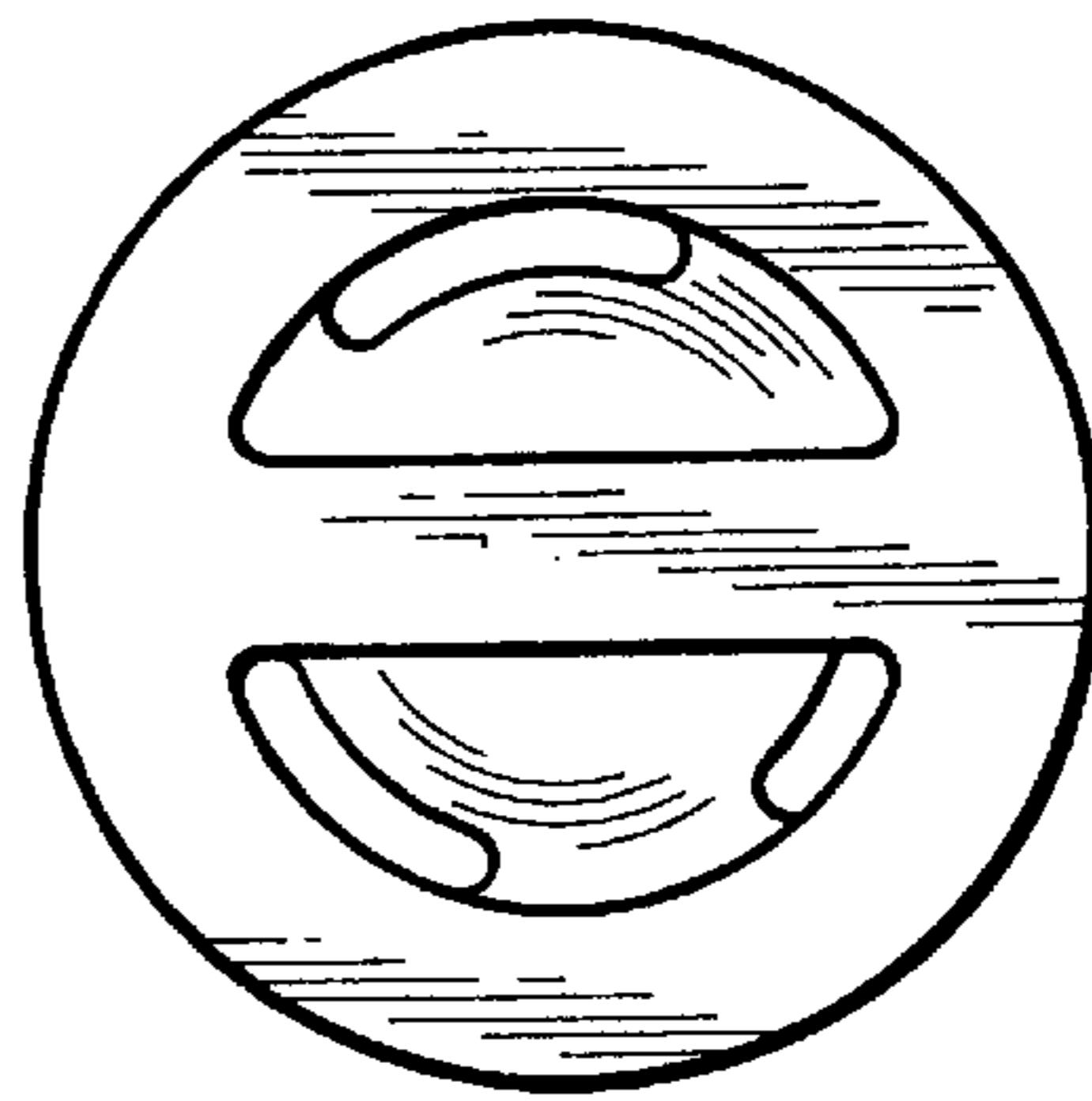


FIG. 3

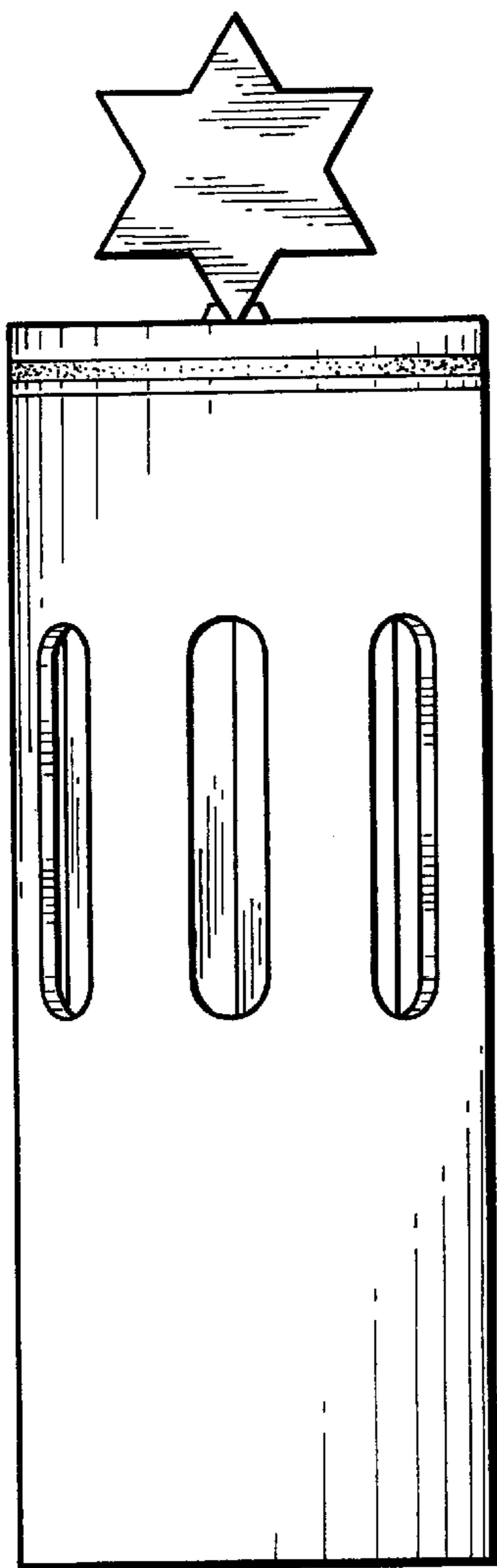


FIG. 4

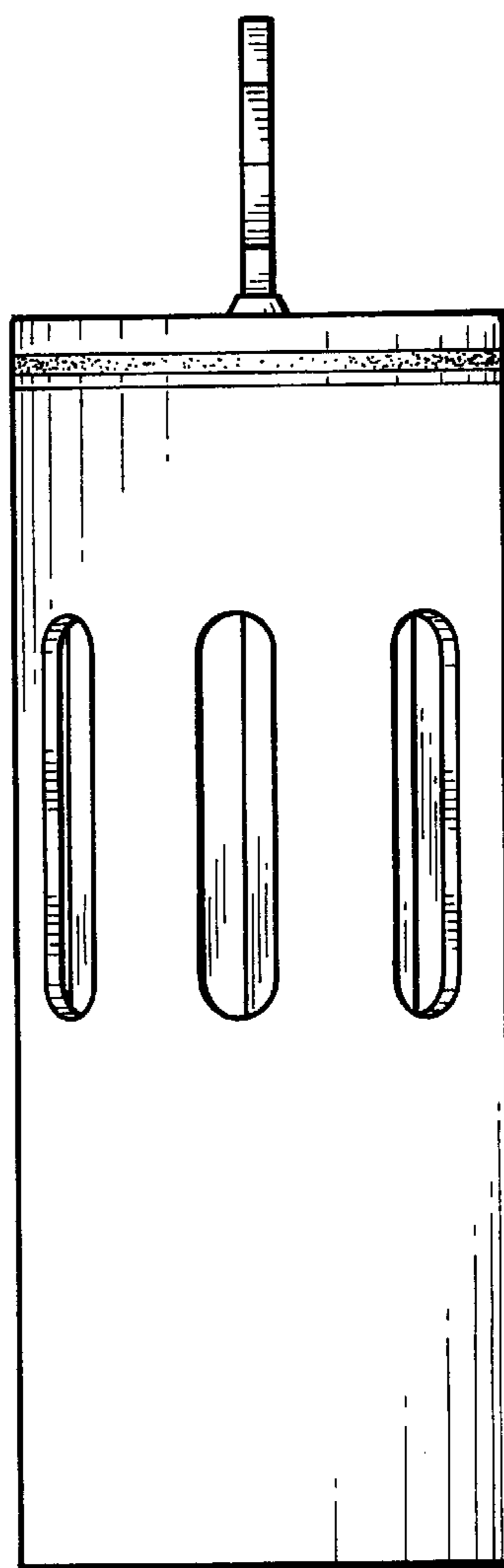


FIG. 5

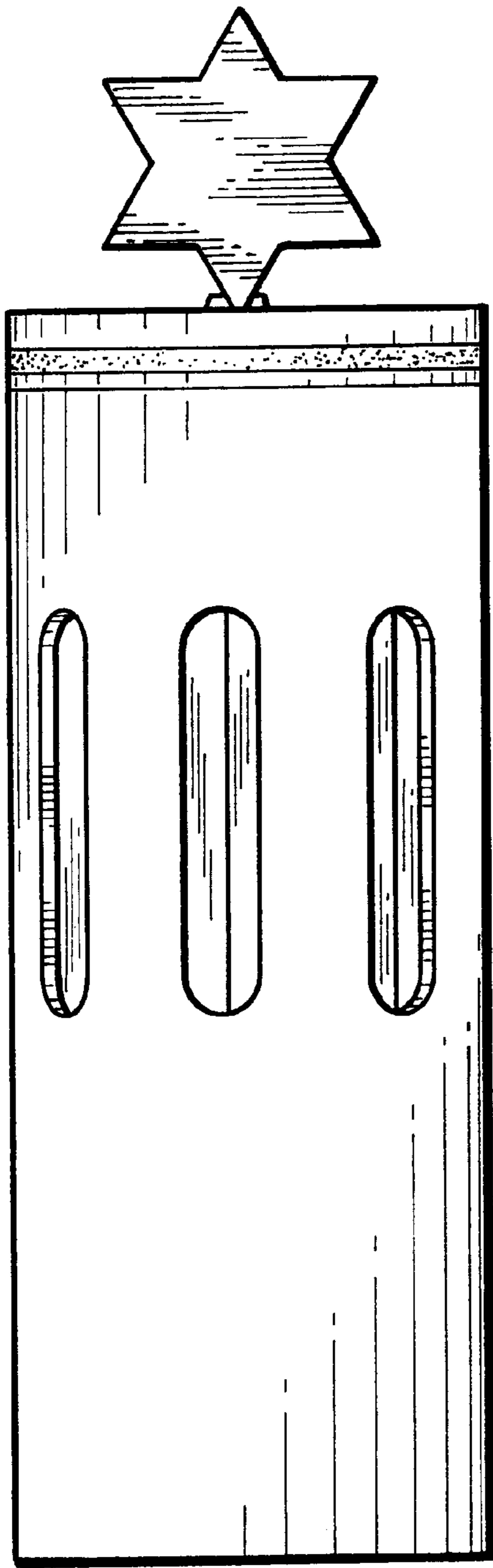


FIG. 6

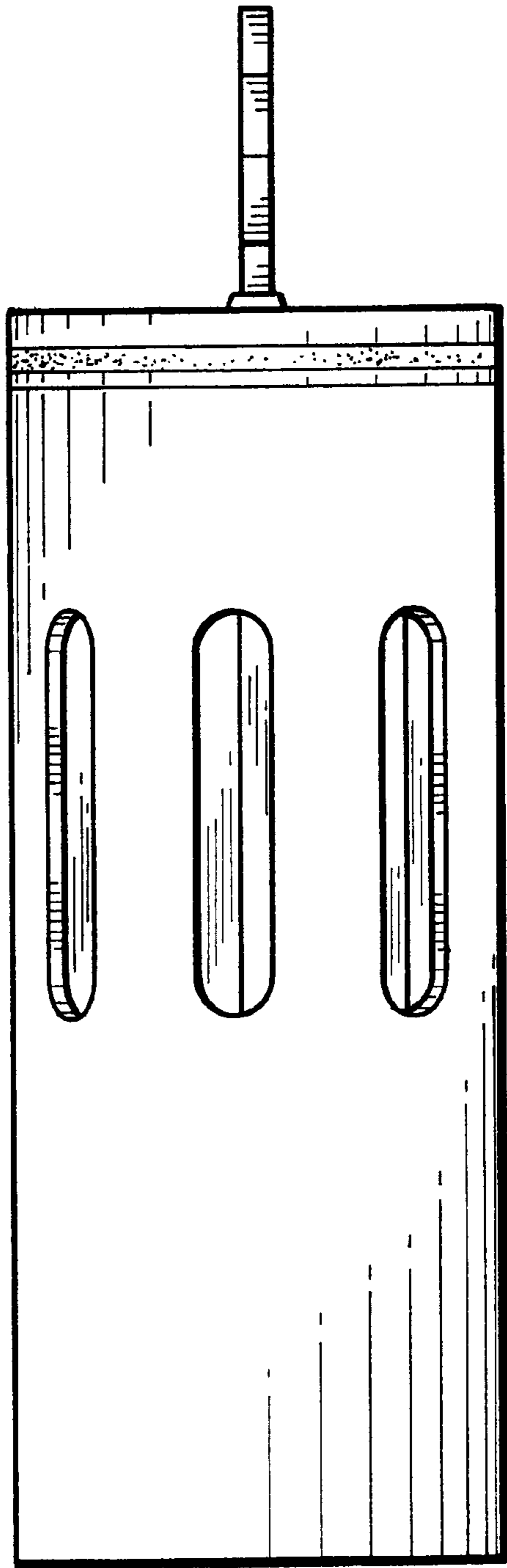


FIG. 7