



US00D437920S

(12) **United States Design Patent**  
**Marshall et al.**

(10) **Patent No.:** **US D437,920 S**

(45) **Date of Patent:** **\*\* Feb. 20, 2001**

(54) **STAINLESS STEEL TOILET**

(75) Inventors: **Keith D. Marshall**, West Covina;  
**Darryl M. Boeltl**, Whittier, both of CA  
(US)

(73) Assignee: **Acorn Engineering Co.**, City of  
Industry, CA (US)

(\*\*) Term: **14 Years**

(21) Appl. No.: **29/121,265**

(22) Filed: **Apr. 4, 2000**

(51) **LOC (7) Cl.** ..... **23-02**

(52) **U.S. Cl.** ..... **D23/295**

(58) **Field of Search** ..... D23/273, 295-301,  
D23/303, 309-313; 4/253, 300, 321, 328,  
329, 245.1, 245.6, 353, 419, 420, 443,  
444, 446, 234, 236, 242.1, 901-902, DIG. 8

(56) **References Cited**

**U.S. PATENT DOCUMENTS**

D. 199,021 \* 9/1964 Stairs, Jr. .... D23/301

D. 276,176 \* 10/1984 Kaiser ..... D23/301

D. 346,854 \* 5/1994 Reid ..... D23/301

D. 379,217 \* 5/1997 Kergoet ..... D23/295

D. 407,150 \* 3/1999 Sim ..... D23/301

\* cited by examiner

*Primary Examiner*—Louis S. Zarfaz

*Assistant Examiner*—Robert A. Delehanty

(74) *Attorney, Agent, or Firm*—Edgar W. Averill, Jr.

(57) **CLAIM**

The ornamental design for a stainless steel toilet, as shown and described.

**DESCRIPTION**

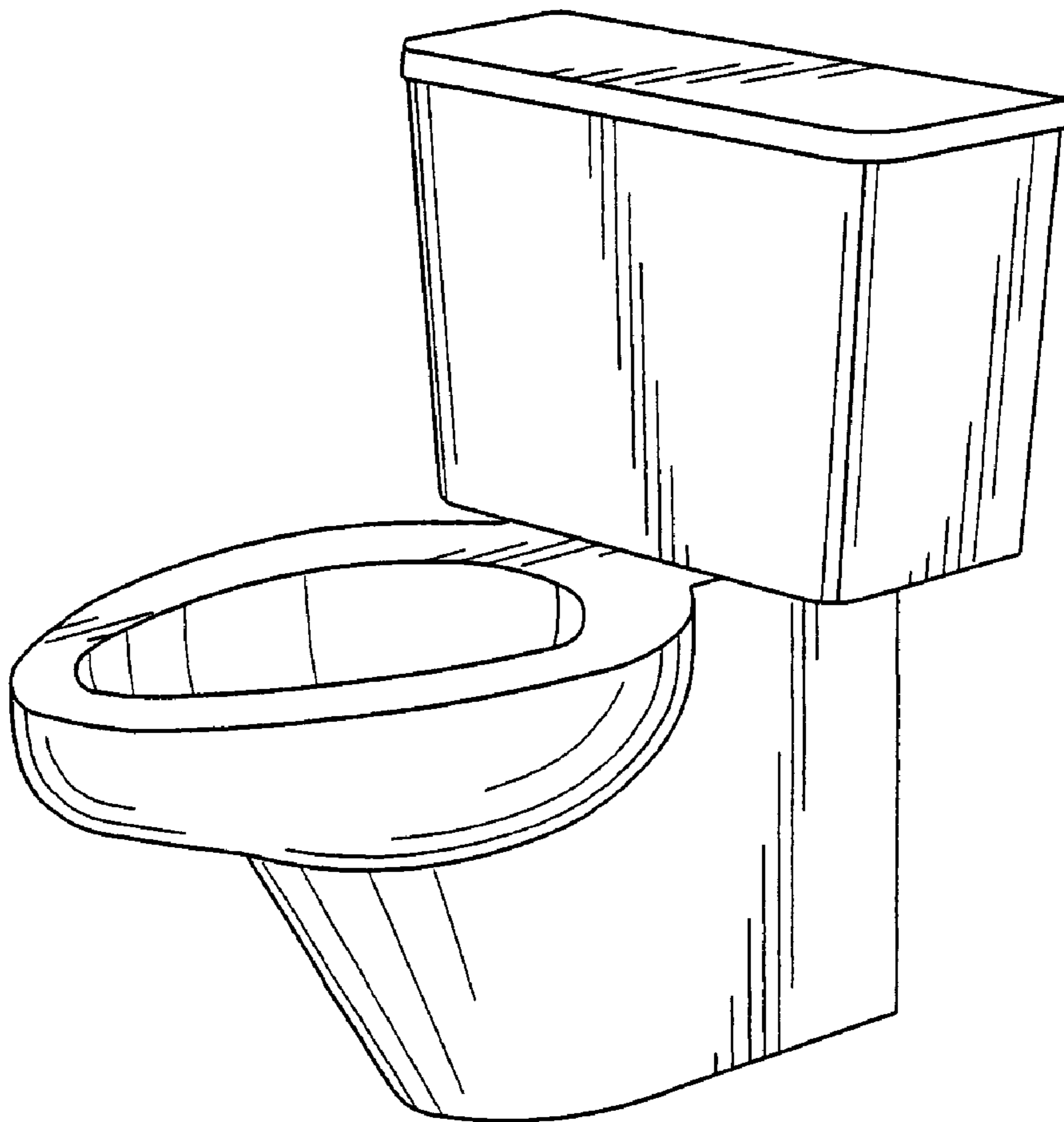
FIG. 1 is a perspective view showing the top right side and front of a stainless steel toilet including a tank showing our new design;

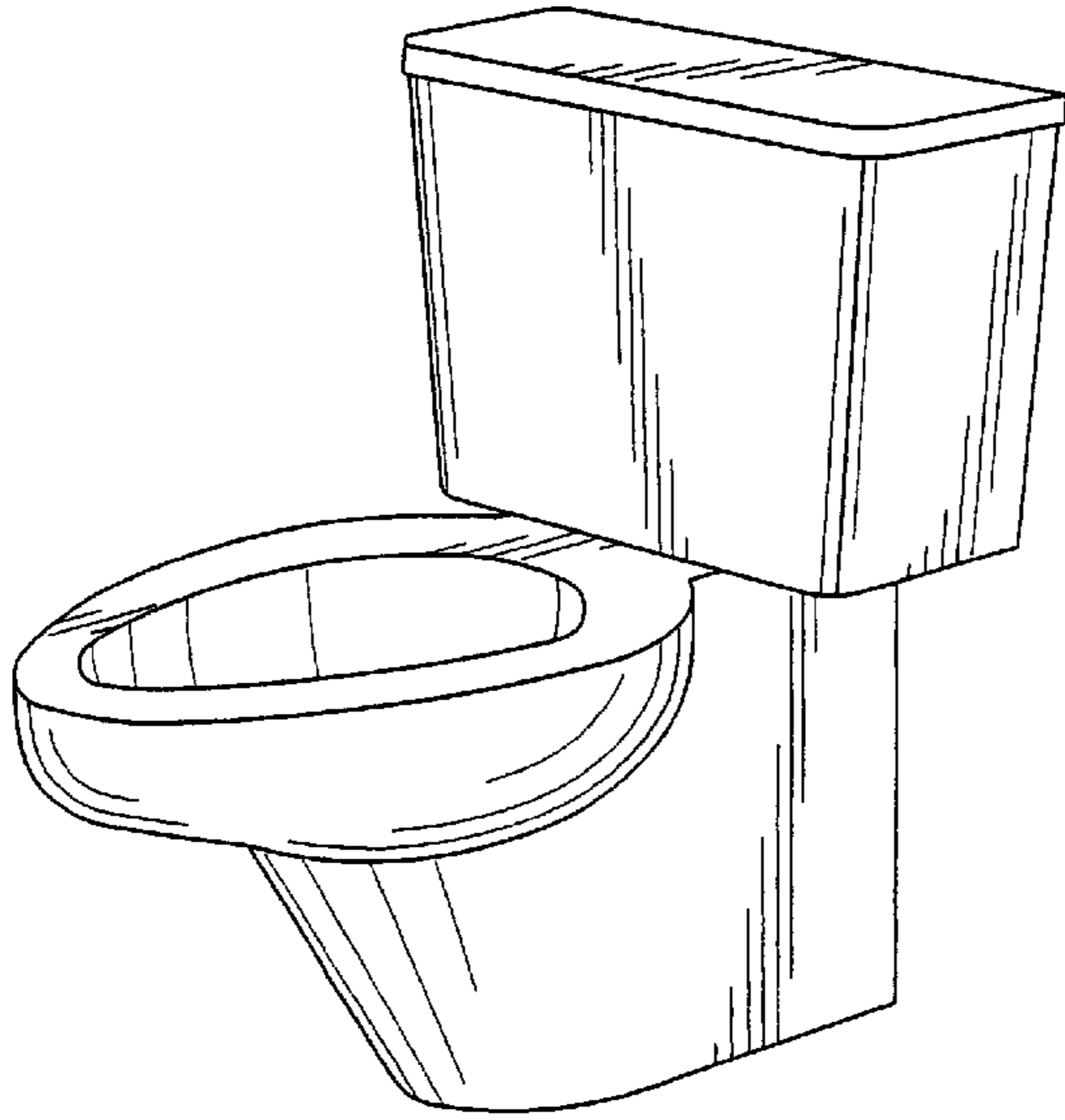
FIG. 2 is a top view thereof;

FIG. 3 is a front view thereof; and,

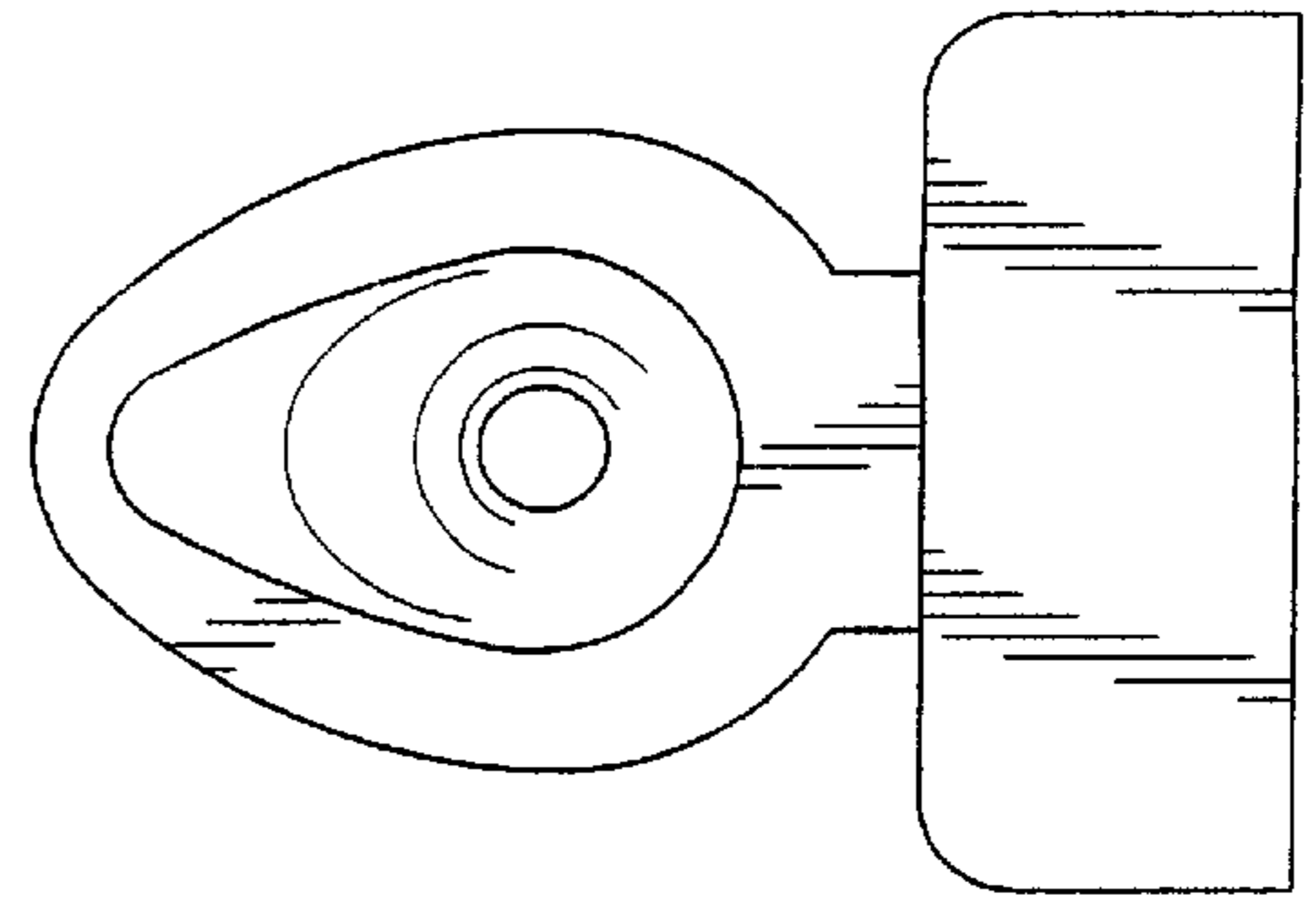
FIG. 4 is a right side view thereof of which a mirror image would be a left side view thereof.

**1 Claim, 1 Drawing Sheet**

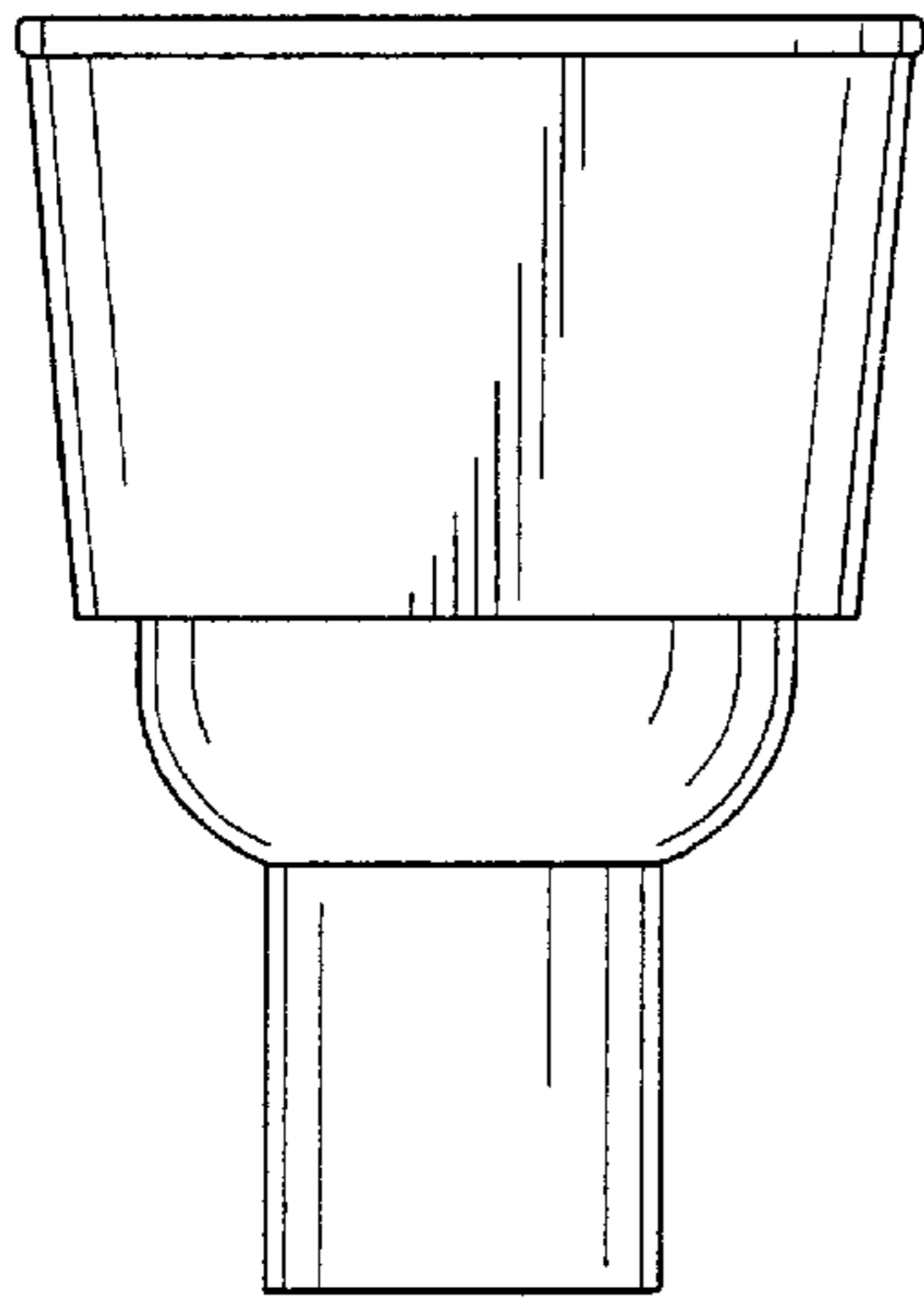




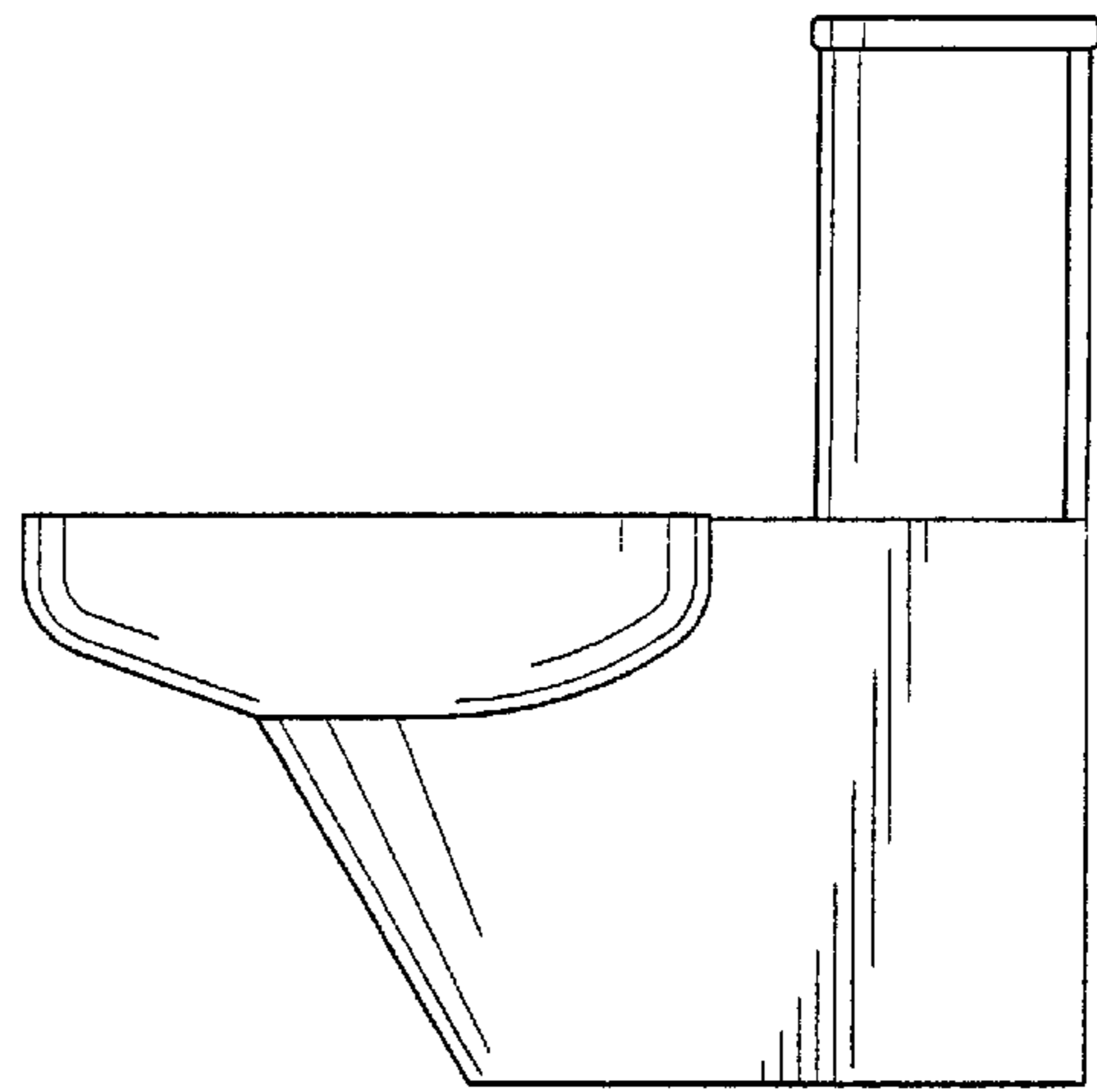
*FIG. 1*



*FIG. 2*



*FIG. 3*



*FIG. 4*