



US00D437917S

(12) **United States Design Patent**
Weingarten

(10) **Patent No.:** **US D437,917 S**

(45) **Date of Patent:** **** Feb. 20, 2001**

(54) **CONTROL FLOW VALVE**

(75) Inventor: **Zvi Weingarten**, Doar Na Oshrat (IL)

(73) Assignee: **Bermad**, Doar Na Oshrat (IL)

(**) Term: **14 Years**

(21) Appl. No.: **29/119,564**

(22) Filed: **Mar. 2, 2000**

(30) **Foreign Application Priority Data**

Sep. 2, 1999 (IL) 32202

(51) **LOC (7) Cl.** **23-01**

(52) **U.S. Cl.** **D23/244**

(58) **Field of Search** D23/233-237,
D23/244-5; 251/335.3, 305, 335

(56) **References Cited**

U.S. PATENT DOCUMENTS

D. 273,034 * 3/1984 Higgins D23/244

D. 281,808 * 12/1985 Lemkin et al. D23/244

D. 309,175 * 7/1990 Hastings D23/245

D. 426,617 * 6/2000 Hansen D23/237

* cited by examiner

Primary Examiner—Robin V. Taylor

(74) *Attorney, Agent, or Firm*—Gottlieb, Rackman & Reisman, P.C.

(57) **CLAIM**

The ornamental design for a control flow valve, as shown and described.

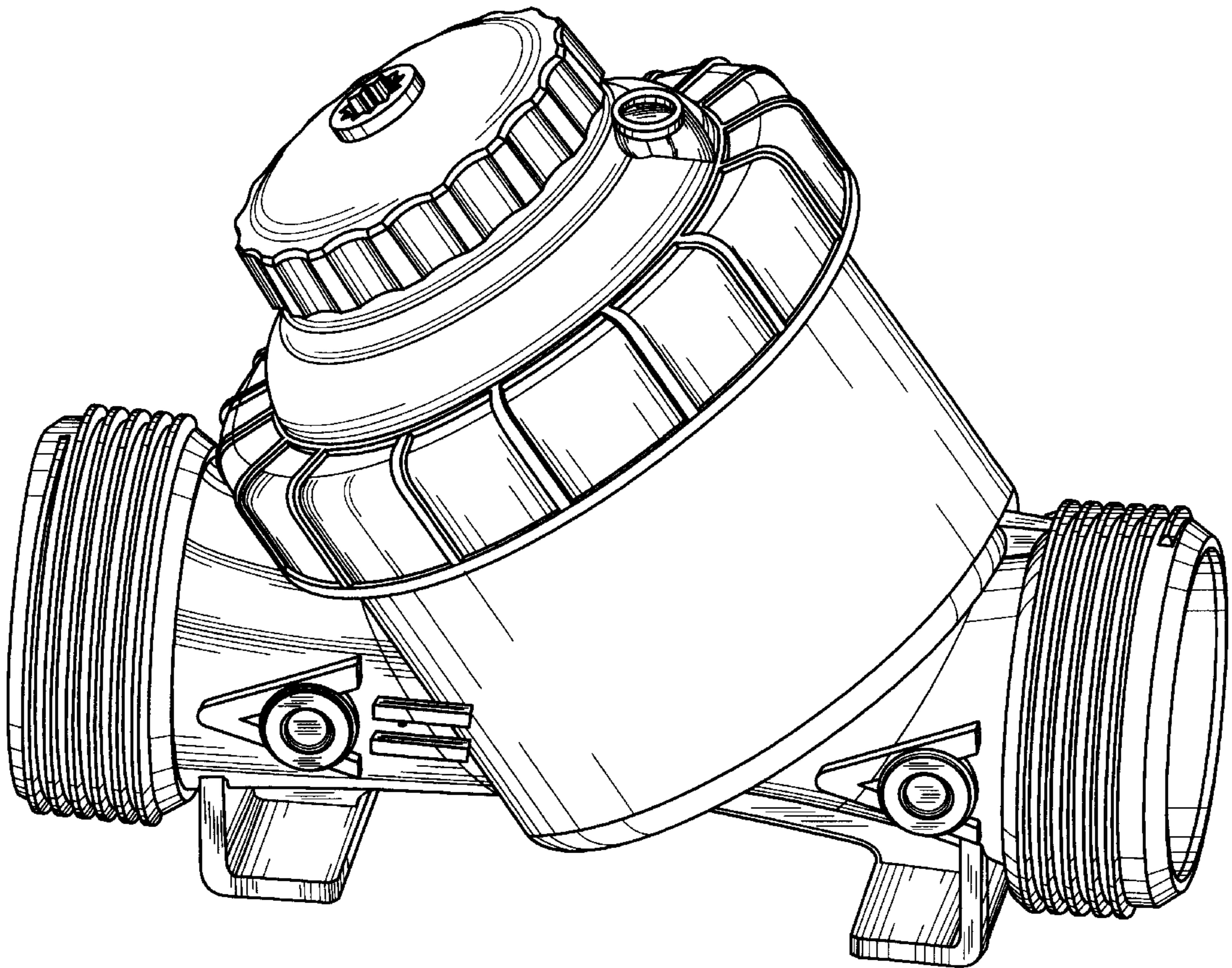
DESCRIPTION

FIG. 1 is a perspective view of the control flow valve showing my new design;

FIG. 2 is a bottom elevational view thereof; and,

FIG. 3 is a right side elevational view thereof.

1 Claim, 3 Drawing Sheets



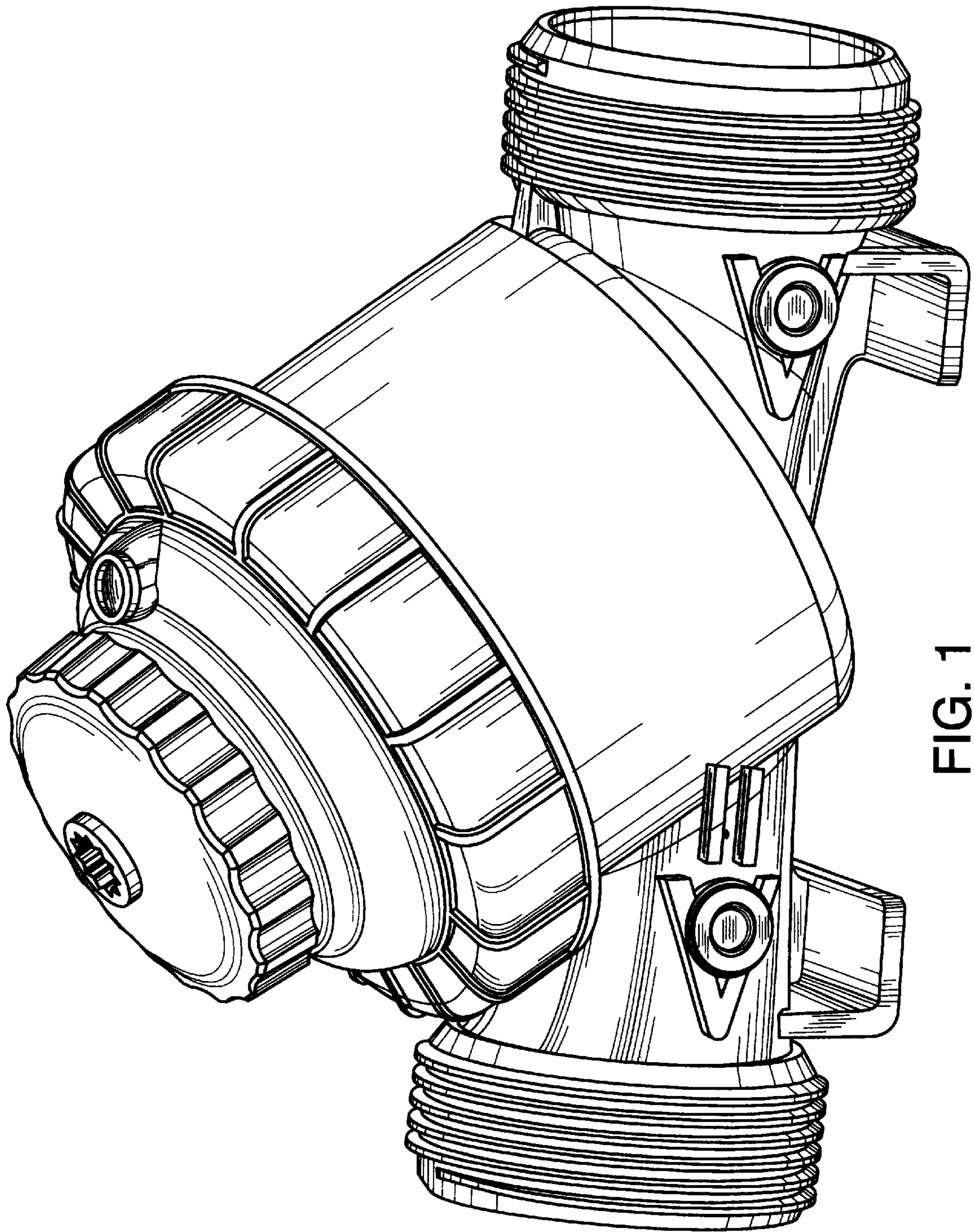


FIG. 1

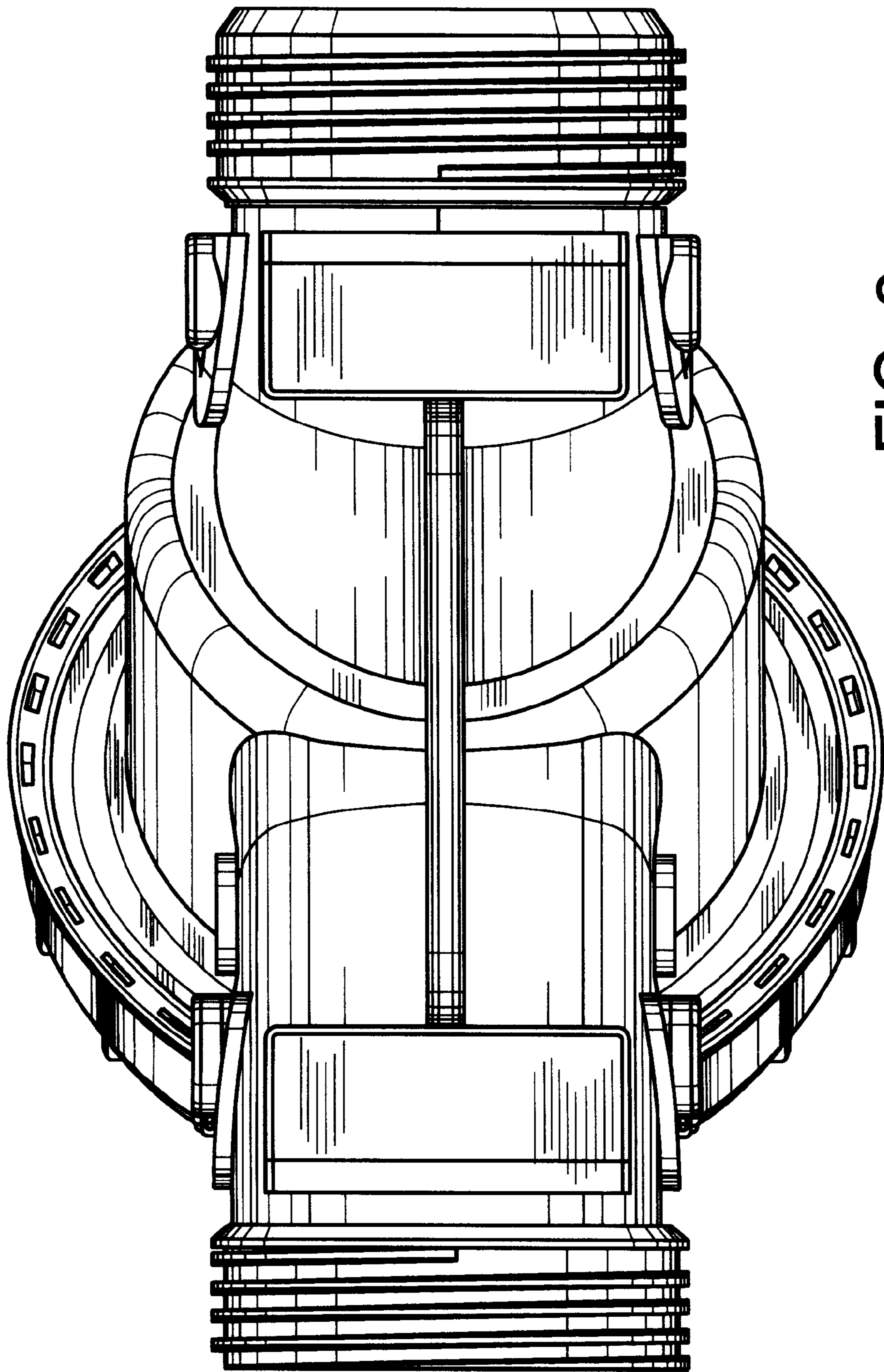


FIG. 2

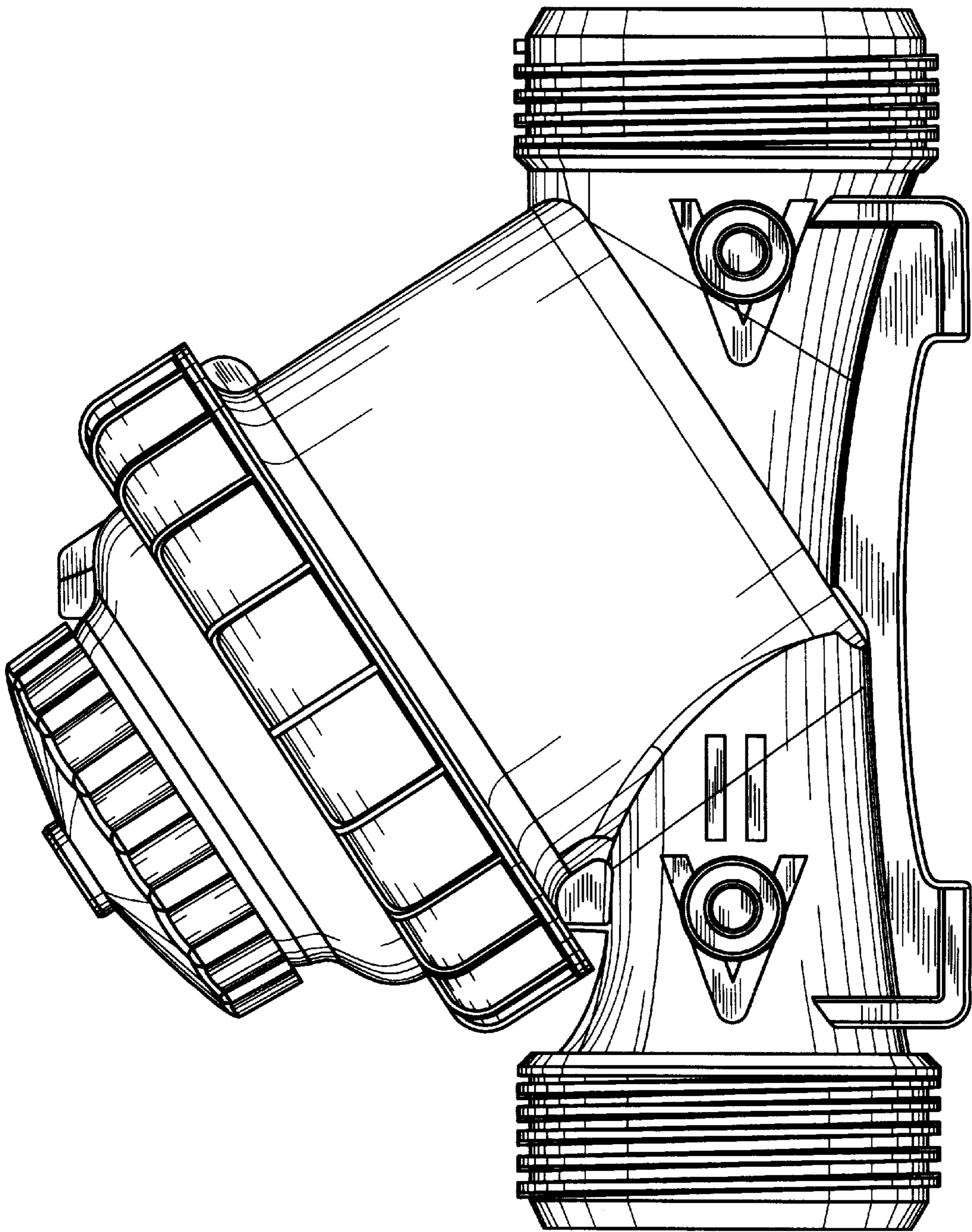


FIG. 3