



US00D437914S

(12) **United States Design Patent**  
**Fleischmann**

(10) **Patent No.:** **US D437,914 S**

(45) **Date of Patent:** **\*\* Feb. 20, 2001**

(54) **SHOWER HEAD**

(75) **Inventor:** **Klaus Fleischmann, Krefeld (DE)**

(73) **Assignee:** **Hansa Metallwerke AG (DE)**

(\*\*) **Term:** **14 Years**

(21) **Appl. No.:** **29/100,092**

(22) **Filed:** **Feb. 3, 1999**

(30) **Foreign Application Priority Data**

Aug. 3, 1998 (DE) ..... 498 07 282

(51) **LOC (7) Cl.** ..... **23-01**

(52) **U.S. Cl.** ..... **D23/213; D23/229**

(58) **Field of Search** ..... D23/213, 223,  
D23/226, 229, 230; 239/548, 550, 551,  
566

(56) **References Cited**

**U.S. PATENT DOCUMENTS**

D. 113,042 \* 1/1939 Landgarten ..... D23/213

D. 253,245 \* 10/1979 Allenbaugh ..... D23/213  
D. 261,417 \* 10/1981 Klose ..... D23/229  
D. 281,192 \* 10/1985 Santi ..... D23/213  
D. 318,900 \* 8/1991 Zarinfar ..... D23/213  
D. 334,046 \* 3/1993 Klose ..... D23/213  
D. 386,244 \* 11/1997 Caroen et al. .... D23/229

\* cited by examiner

*Primary Examiner*—Robin V. Taylor

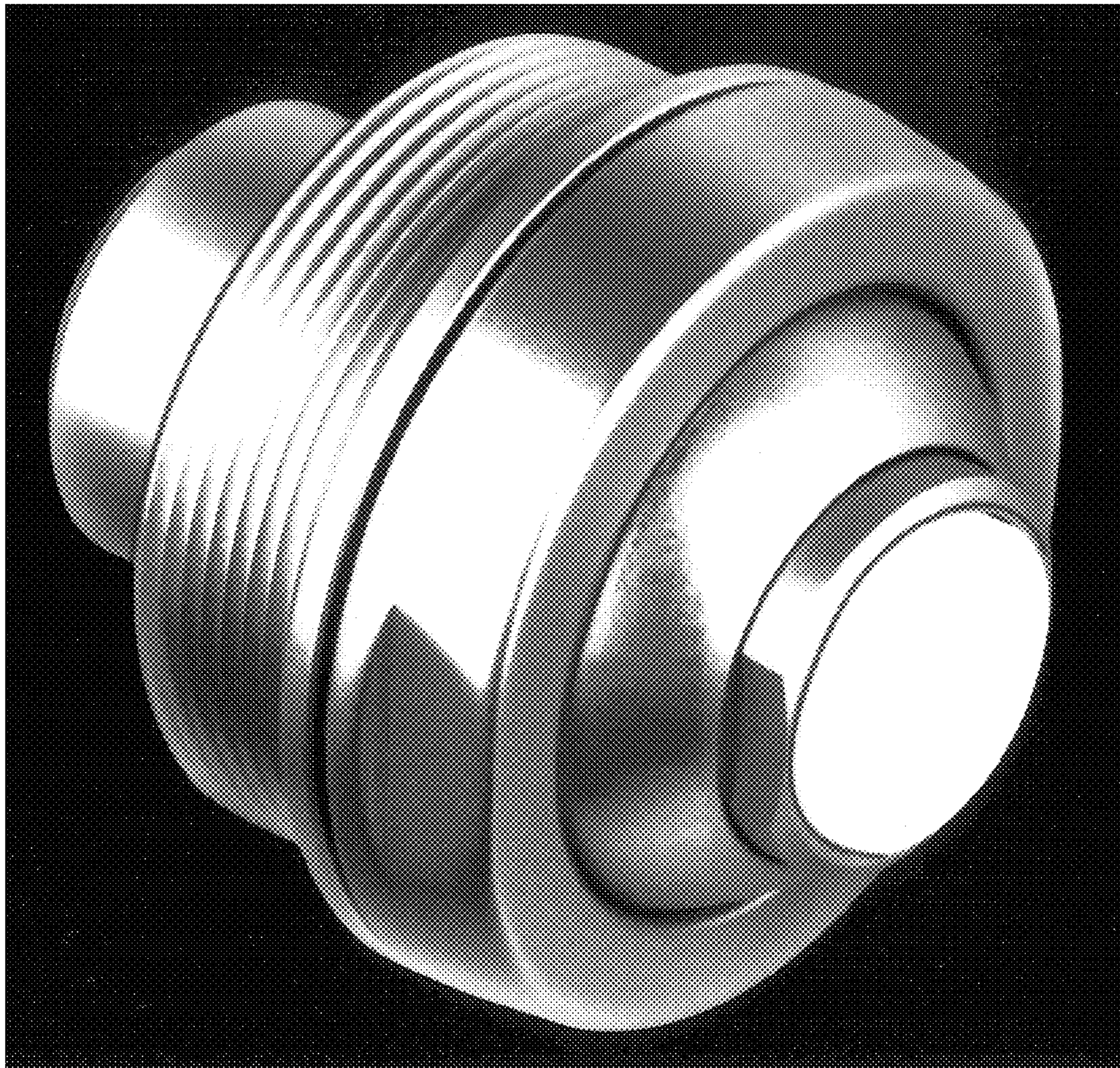
(57) **CLAIM**

I claim the ornamental design for a shower head, as shown and described.

**DESCRIPTION**

FIG. 1 is a left side elevation of a shower head showing my new design, which is a mirror image of a right side elevation. FIG. 2 is a front view thereof. FIG. 3 is a rear view thereof. FIG. 4 is a top view thereof. FIG. 5 is a bottom view thereof; and, FIG. 6 is a perspective view thereof.

**1 Claim, 6 Drawing Sheets**



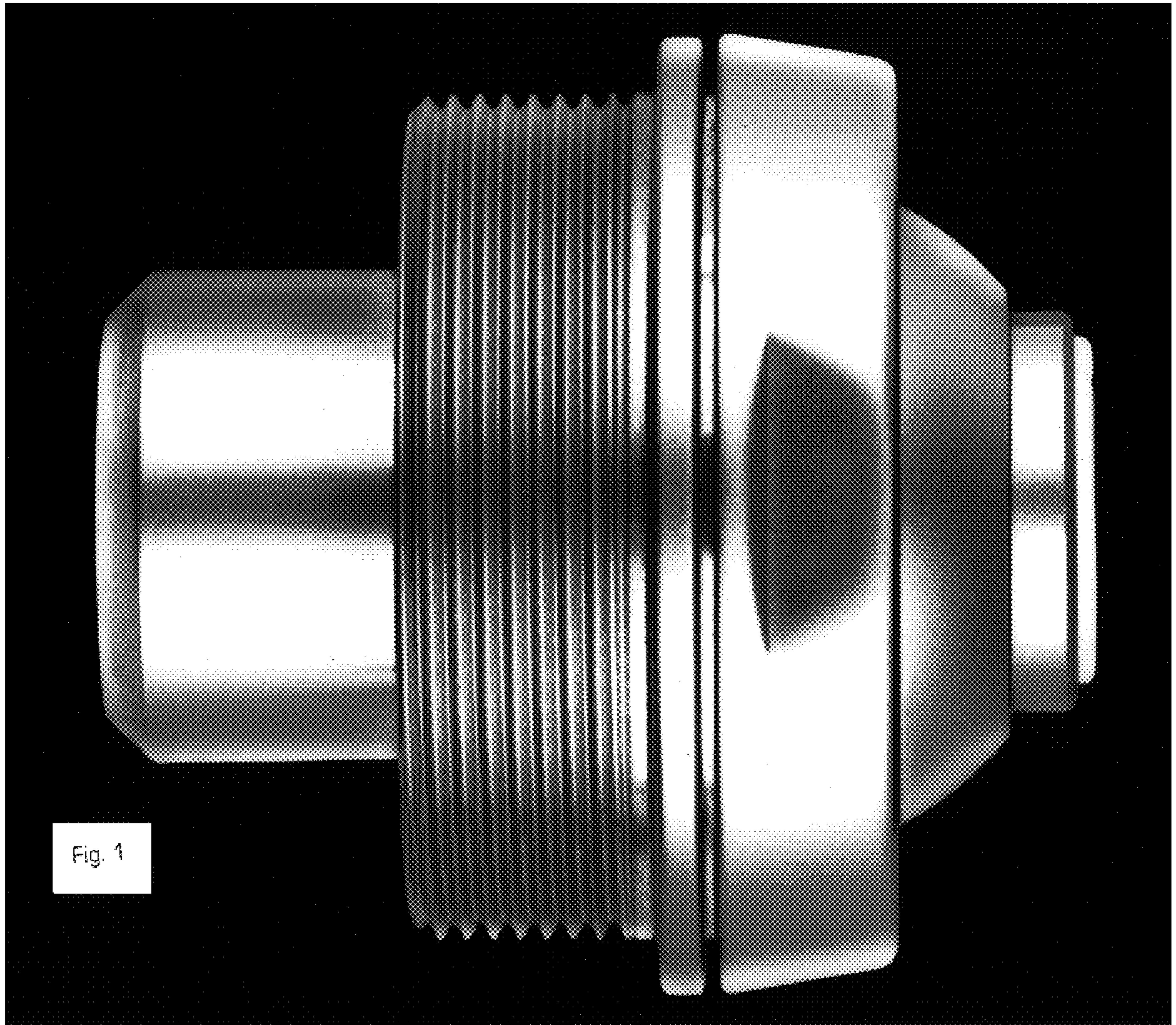


Fig. 1

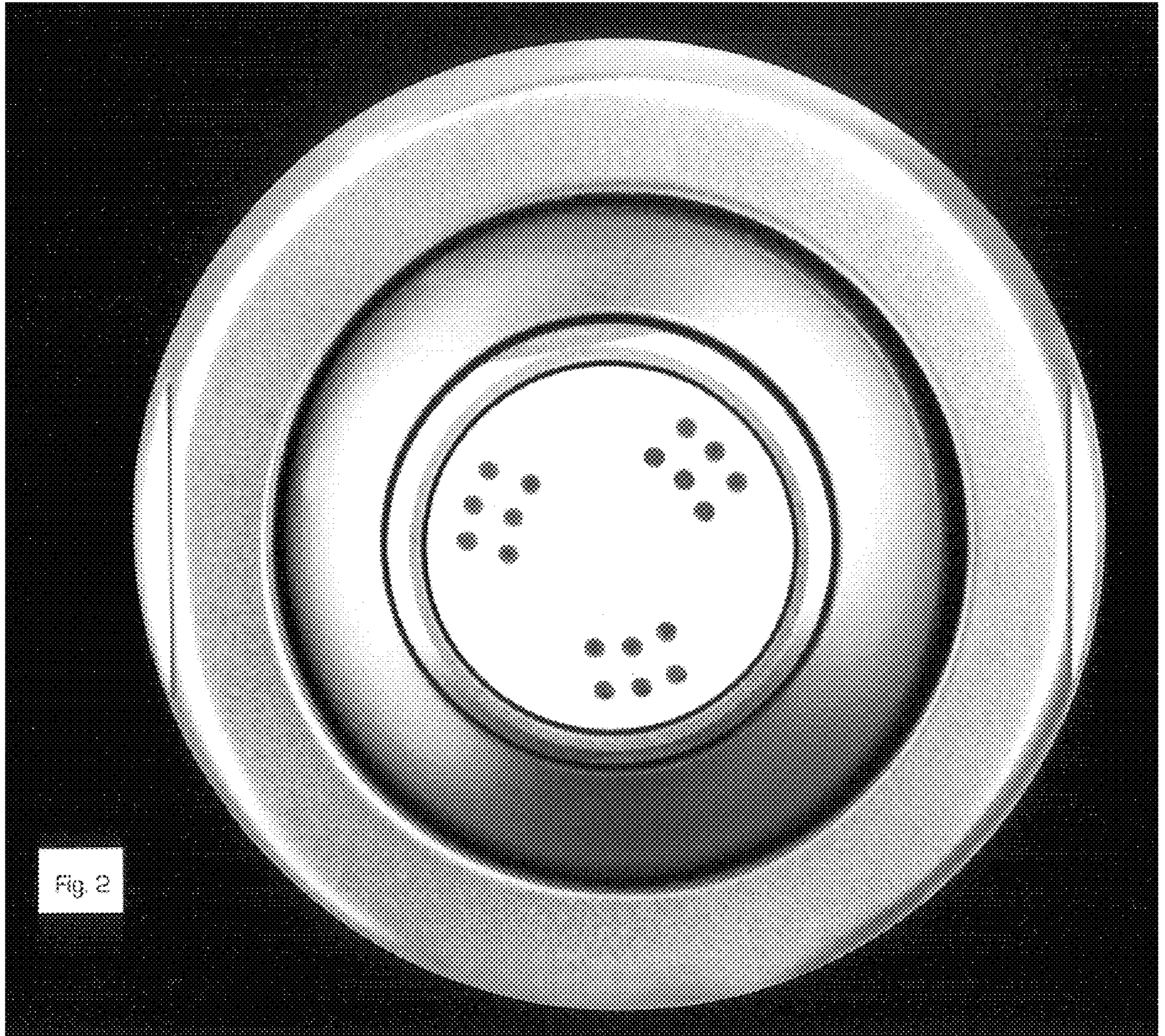
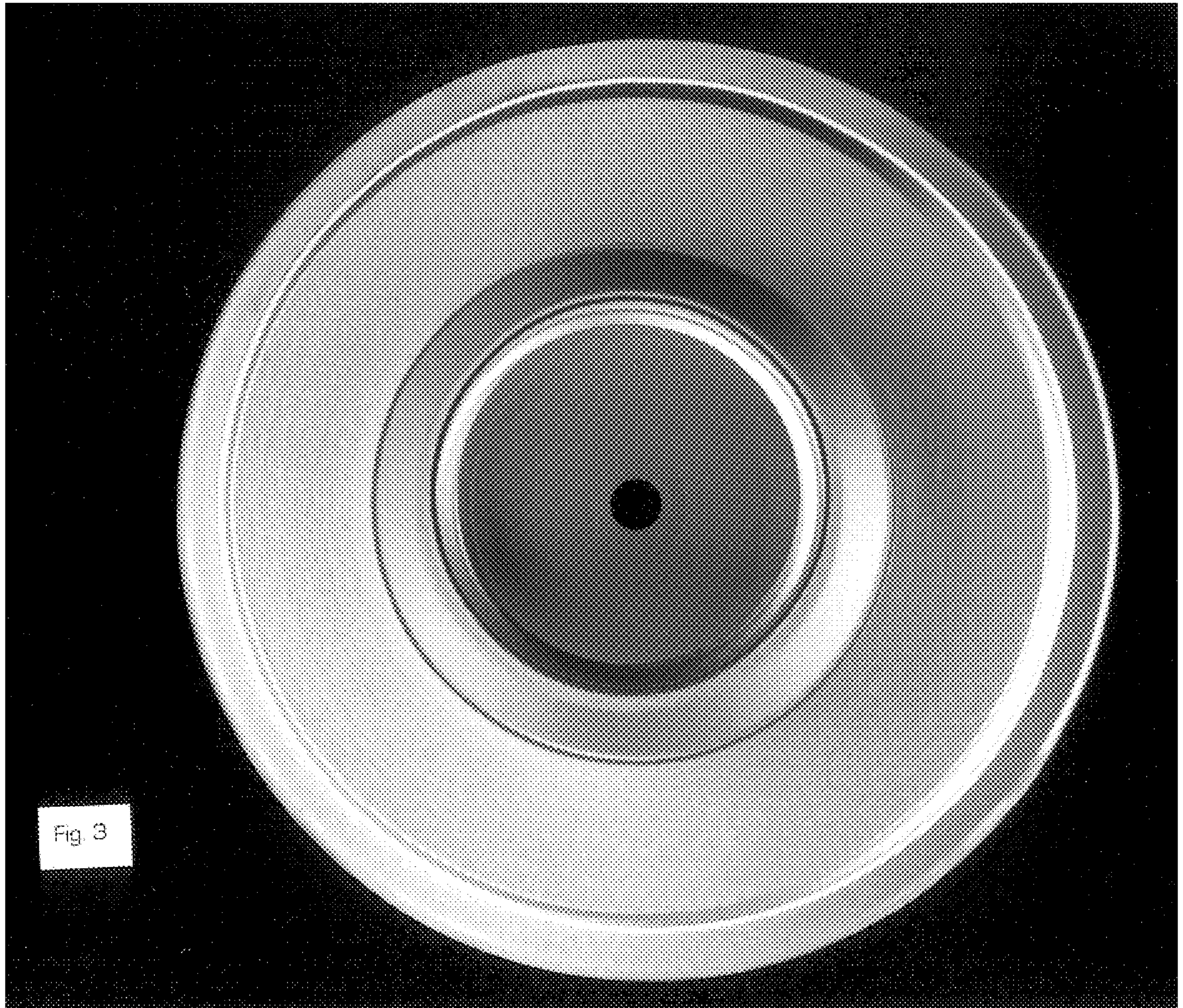
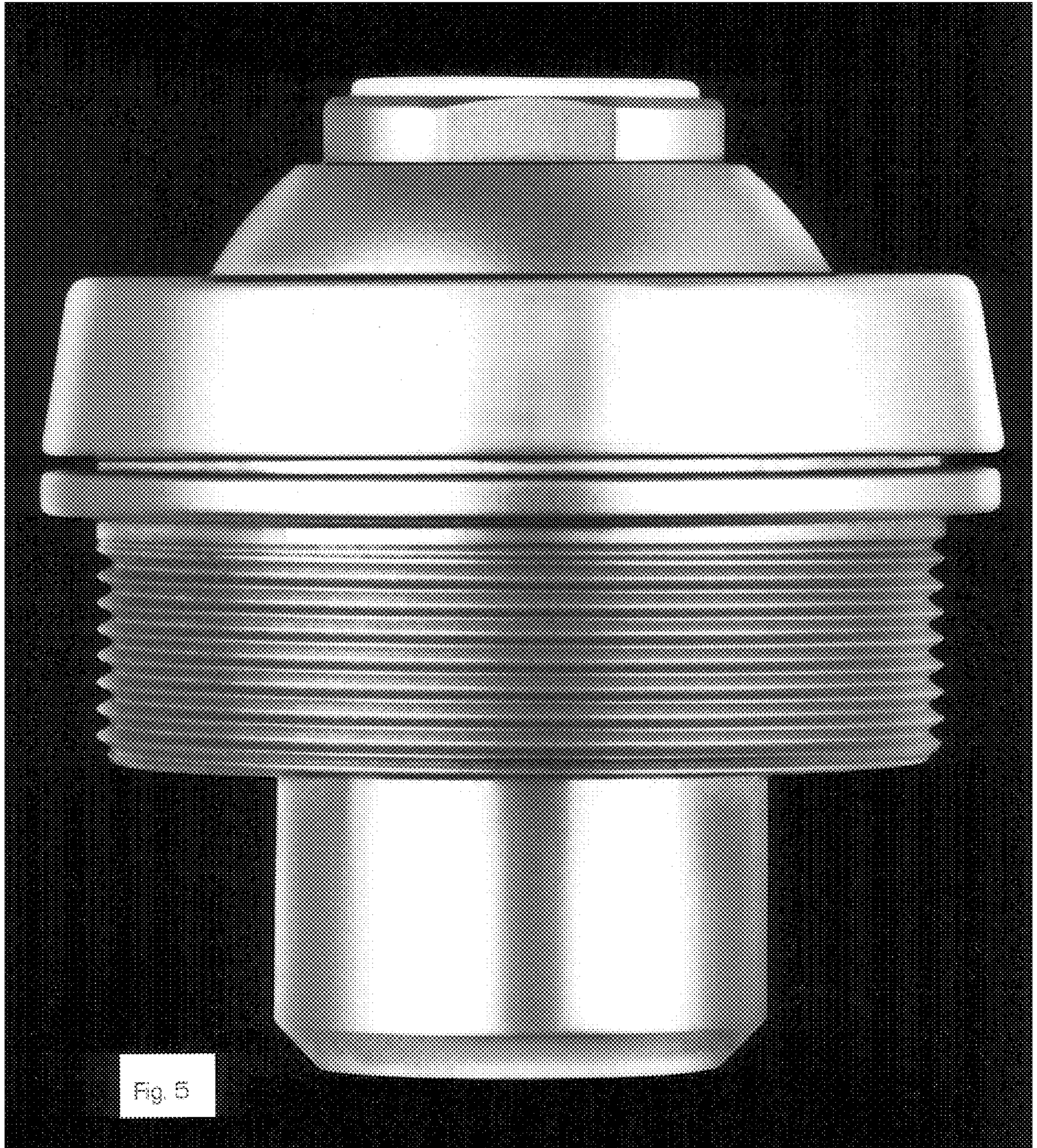


Fig. 2







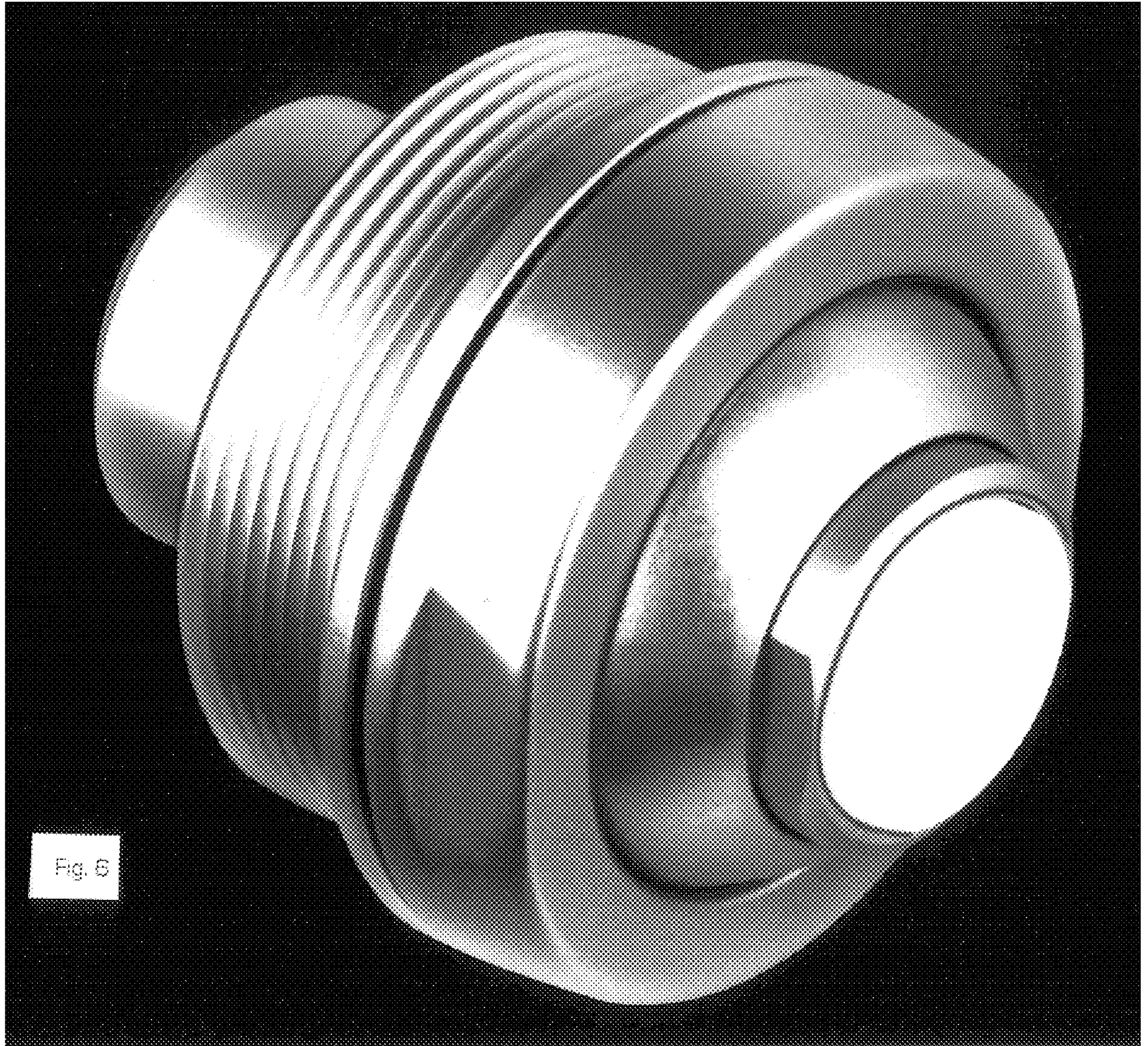


Fig. 6