



US00D437911S

(12) **United States Design Patent**  
**Hooper**

(10) **Patent No.:** **US D437,911 S**

(45) **Date of Patent:** **\*\* Feb. 20, 2001**

(54) **GOLF MAT**

(74) *Attorney, Agent, or Firm*—Thomas E. Malyszko

(75) **Inventor:** **Michael Hooper**, *Chestermere (CA)*

(57) **CLAIM**

(73) **Assignee:** **Alberta Ltd.**, *Calgary (CA)*

The ornamental design for a golf mat, as shown and described.

(\*\*) **Term:** **14 Years**

(21) **Appl. No.:** **29/105,987**

**DESCRIPTION**

(22) **Filed:** **Jun. 8, 1999**

FIG. 1 is a top plan view of a golf mat according to my design;

(30) **Foreign Application Priority Data**

Apr. 16, 1999 (CA) ..... 1999-0943

FIG. 2 is a side elevational view taken from the right side of FIG. 1;

(51) **LOC (7) Cl.** ..... **21-02**

(52) **U.S. Cl.** ..... **D21/792**

FIG. 3 is a end elevational view taken from the top end of FIG. 1;

(58) **Field of Search** ..... D21/792, 789;  
473/162, 173, 174, 251, 278

FIG. 4 is an end elevational view taken from the bottom end of FIG. 1;

(56) **References Cited**

**U.S. PATENT DOCUMENTS**

- D. 190,241 \* 5/1961 Miller ..... D21/792
- D. 195,264 \* 5/1963 Miller ..... D21/792
- D. 335,696 \* 5/1993 Byers et al. .... D21/792
- D. 407,458 \* 3/1999 Soonlan ..... D21/792

FIG. 5 is a sectional view taken along the longitudinal centerline of FIG. 1;

FIG. 6 is a bottom plan view of the golf mat;

**OTHER PUBLICATIONS**

Austads; p. 32; golf swing guide mat, Feb. 1992.\*

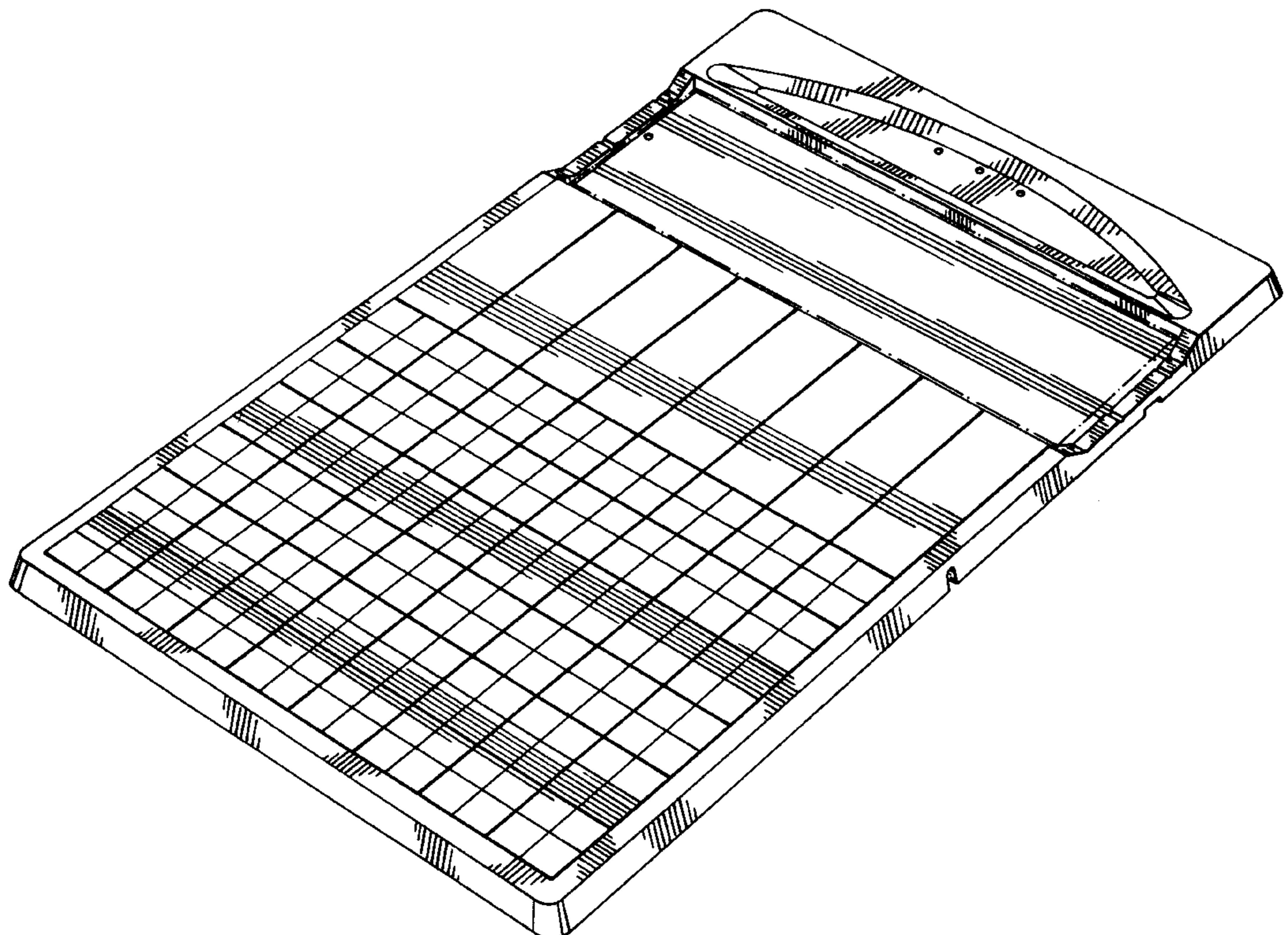
FIG. 7 is a sectional view along line 7—7 of FIG. 1.; and,

FIG. 8 is a top perspective view from the bottom end of the golf mat.

\* cited by examiner

*Primary Examiner*—Mitchell Siegel

**1 Claim, 4 Drawing Sheets**



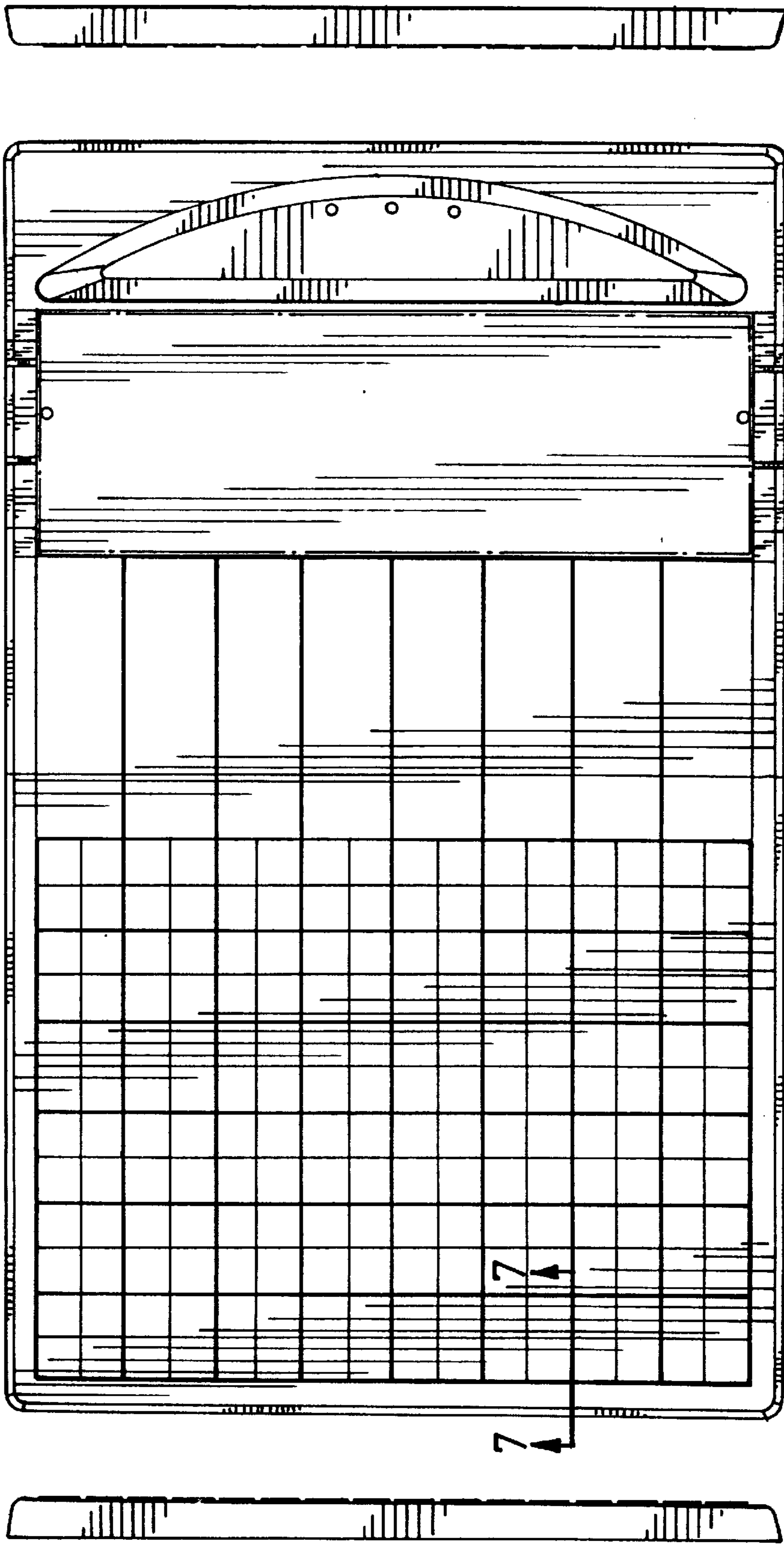


FIG. 3

FIG. 1

FIG. 4



FIG. 2

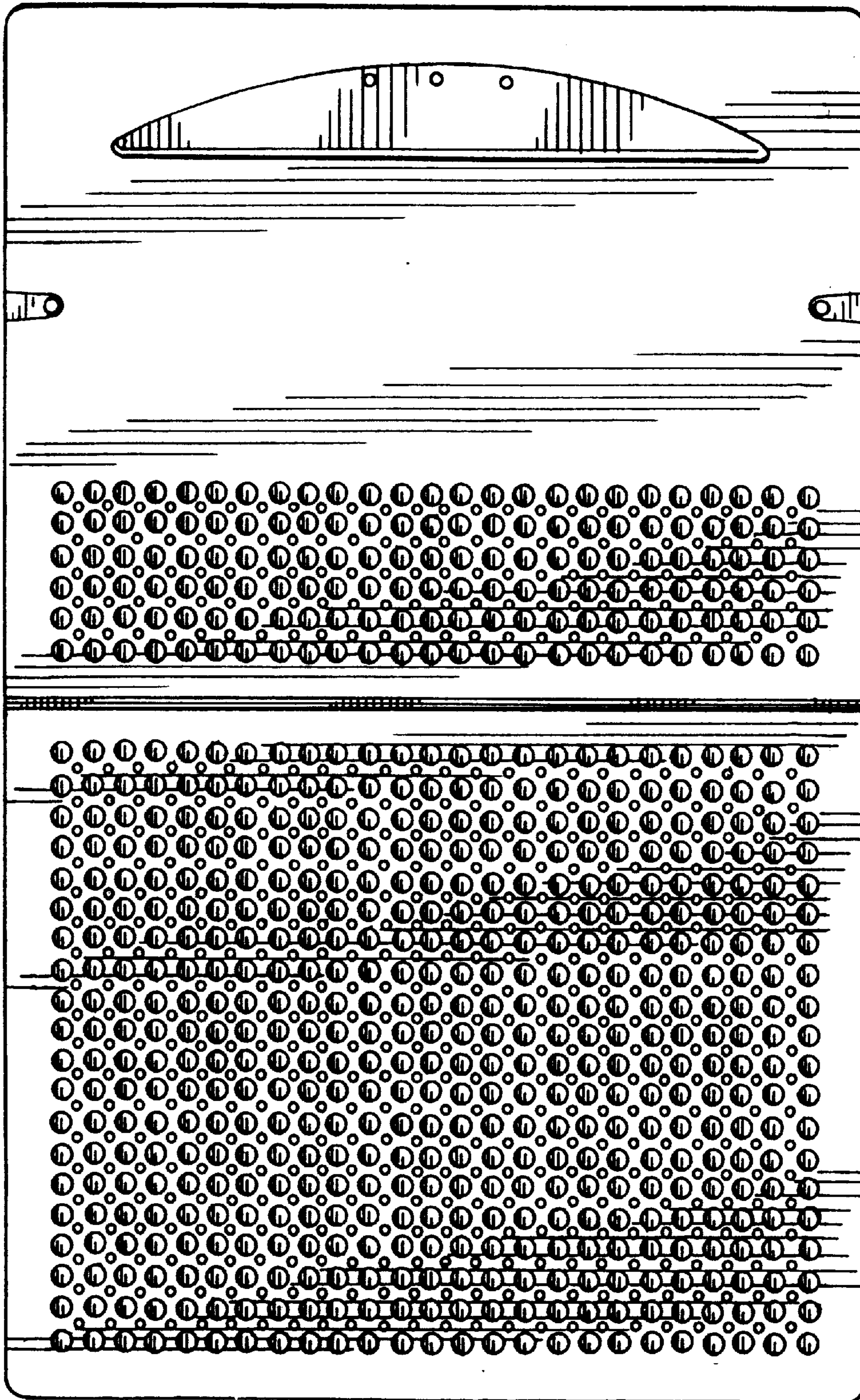


FIG. 6

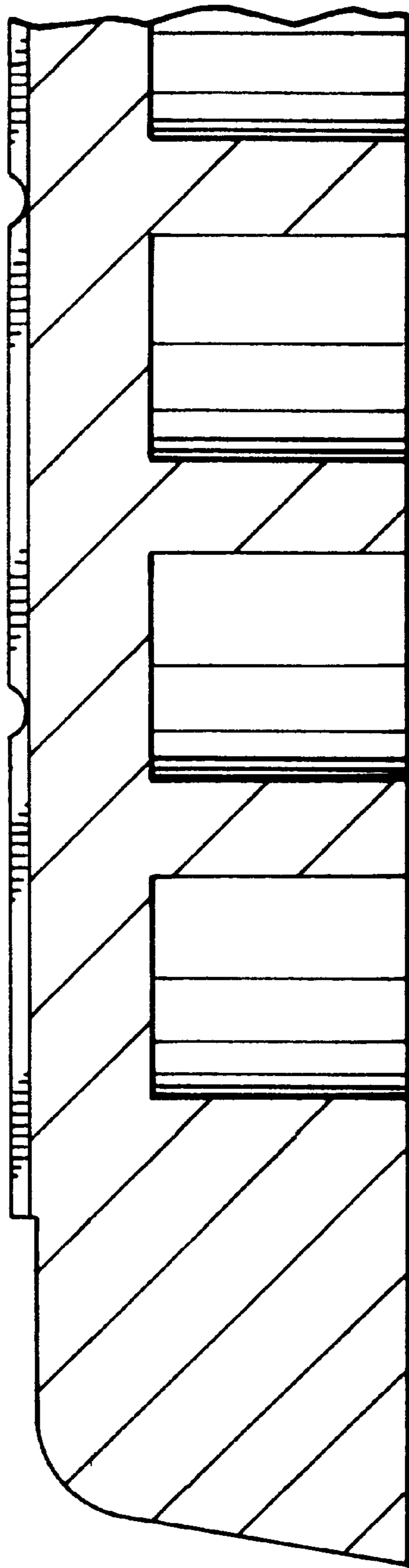


FIG. 7

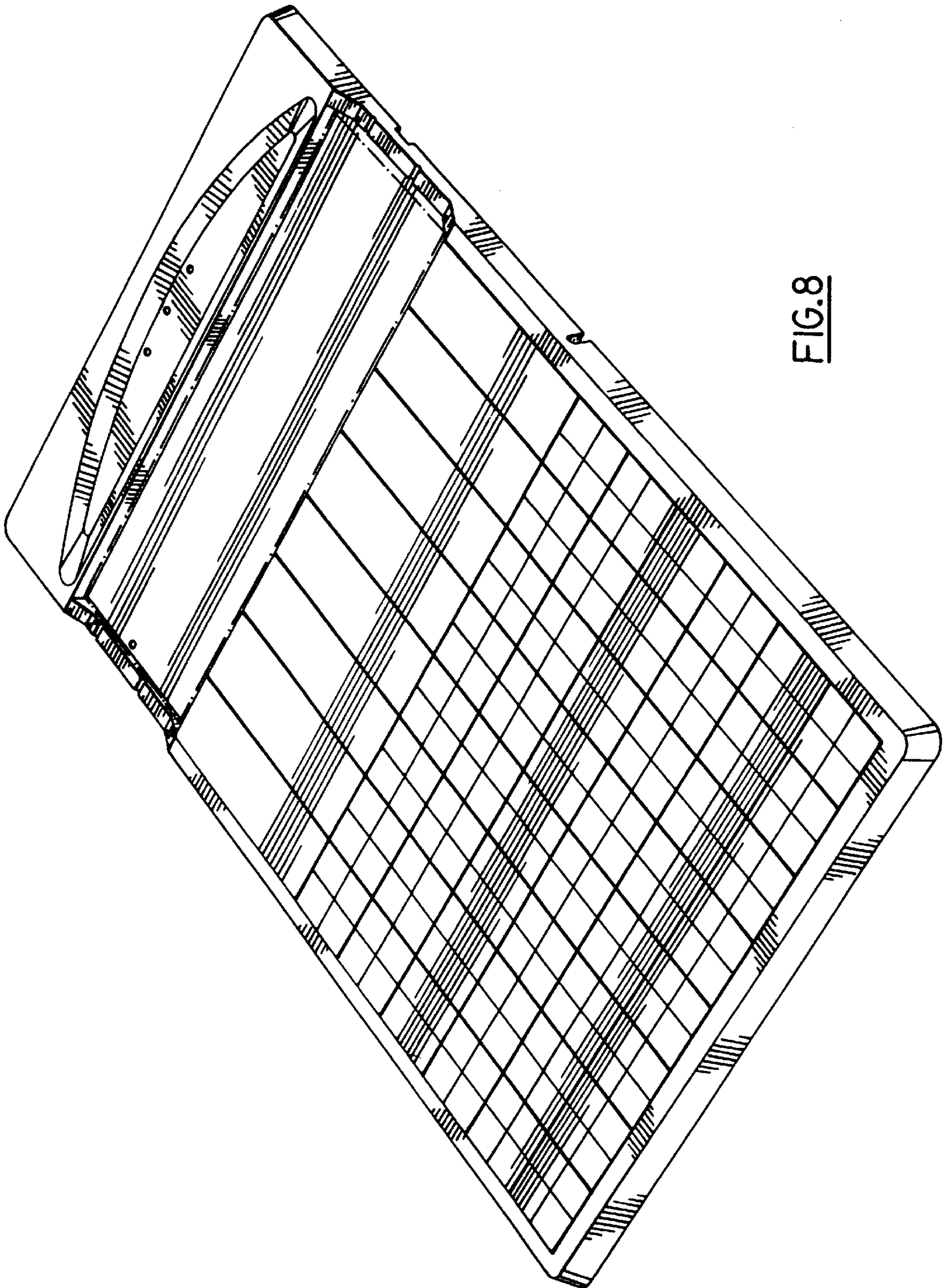


FIG.8