



US00D437909S

(12) **United States Design Patent**  
**Chang**

(10) **Patent No.:** **US D437,909 S**

(45) **Date of Patent:** **\*\* Feb. 20, 2001**

(54) **PORTABLE HOUSING FOR GOLF SWING ANALYZER**

**DESCRIPTION**

(75) Inventor: **Philip L. Chang**, Sunnyvale, CA (US)

(73) Assignee: **Swing Solutions**, Sunnyvale, CA (US)

(\*\*) Term: **14 Years**

(21) Appl. No.: **29/124,743**

(22) Filed: **Jun. 9, 2000**

(51) **LOC (7) Cl.** ..... **21-02**

(52) **U.S. Cl.** ..... **D21/789**

(58) **Field of Search** ..... D21/789; 473/156,  
473/220, 233, 257, 261, 222; 434/252;  
D3/254, 272

(56) **References Cited**

**U.S. PATENT DOCUMENTS**

4,919,279 4/1990 Crump .  
5,342,054 8/1994 Chang et al. .

*Primary Examiner*—Mitchell Siegel

(74) *Attorney, Agent, or Firm*—Harris Zimmerman

(57) **CLAIM**

The ornamental design for a portable housing for golf swing analyzer, as shown and described.

FIG. 1 is a perspective view of a portable housing for a golf swing analyzer according to the present invention shown in operative position;

FIG. 2 is a front view thereof;

FIG. 3 is a left side view thereof;

FIG. 4 is a rear view thereof;

FIG. 5 is a right side view thereof;

FIG. 6 is a top view thereof;

FIG. 7 is a bottom view;

FIG. 8 is a view corresponding to FIG. 1 but showing the portable housing for golf swing analyzer in a closed or carrying position;

FIG. 9 is a front view;

FIG. 10 is a left side view;

FIG. 11 is a rear side view;

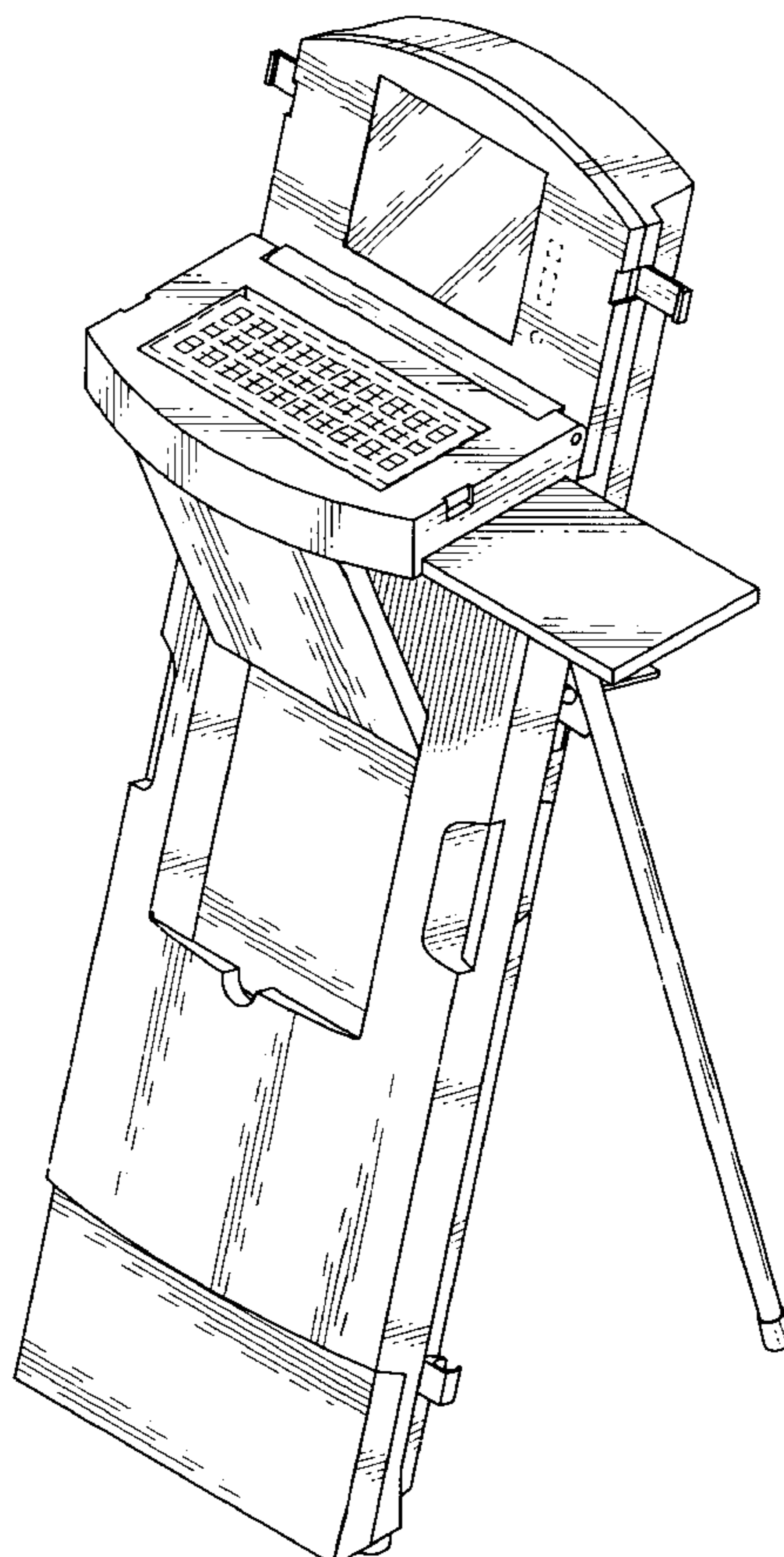
FIG. 12 is a right side view;

FIG. 13 is a top view; and,

FIG. 14 is a bottom view.

The broken lines shown in FIGS. 1, 2, 4, and 11 are for illustration purposes only and do not form part of the instant design.

**1 Claim, 4 Drawing Sheets**



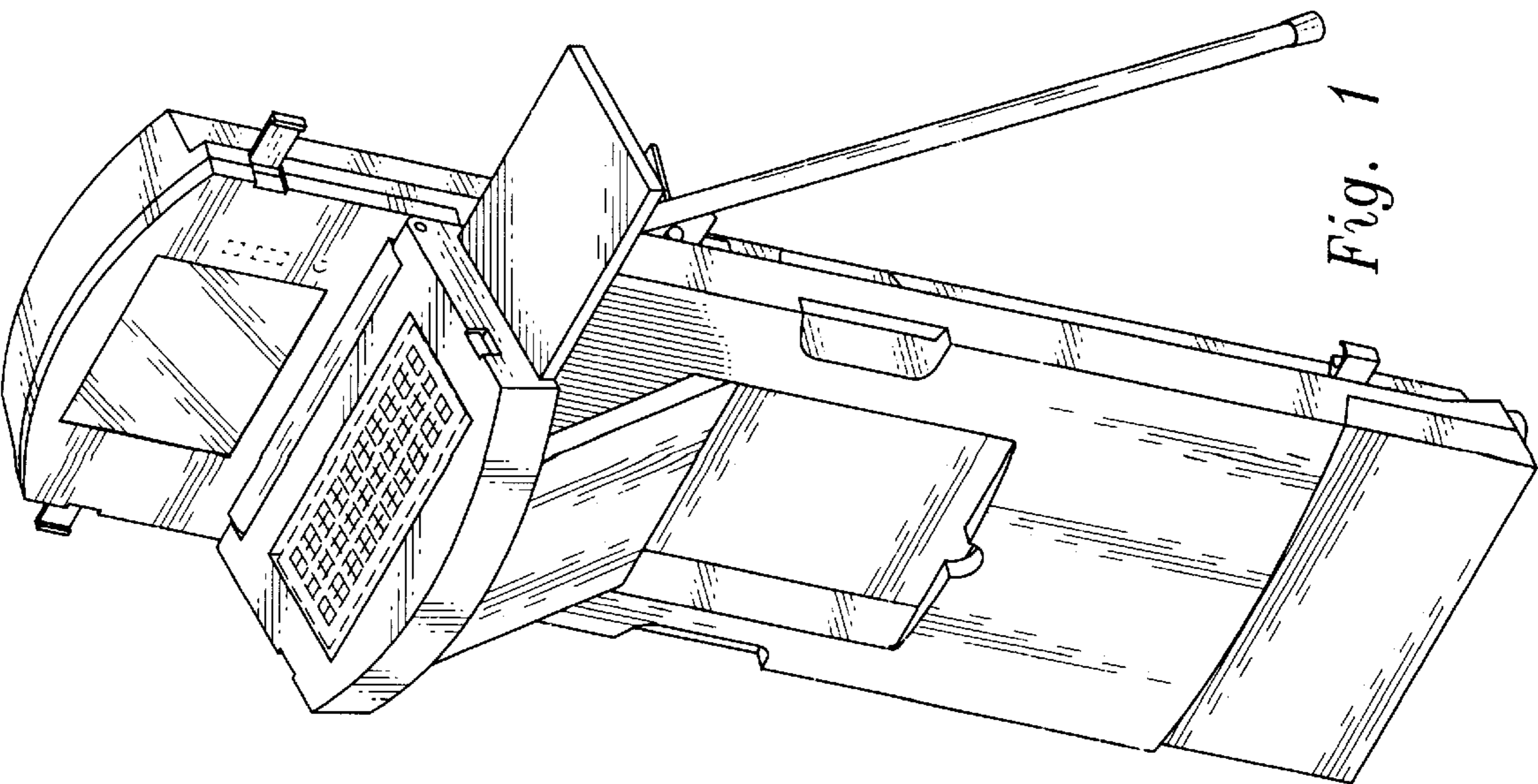


Fig. 1

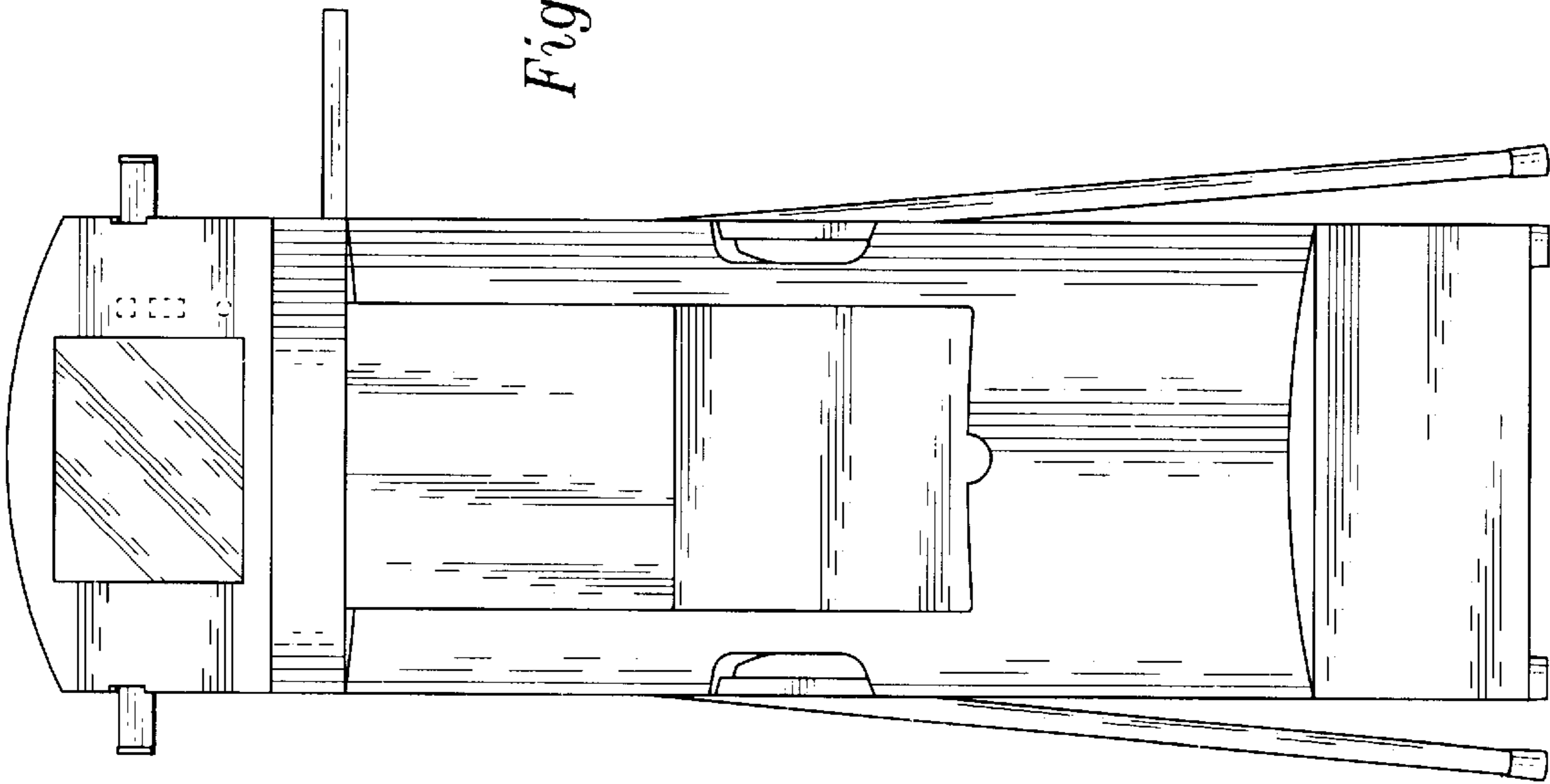


Fig. 2

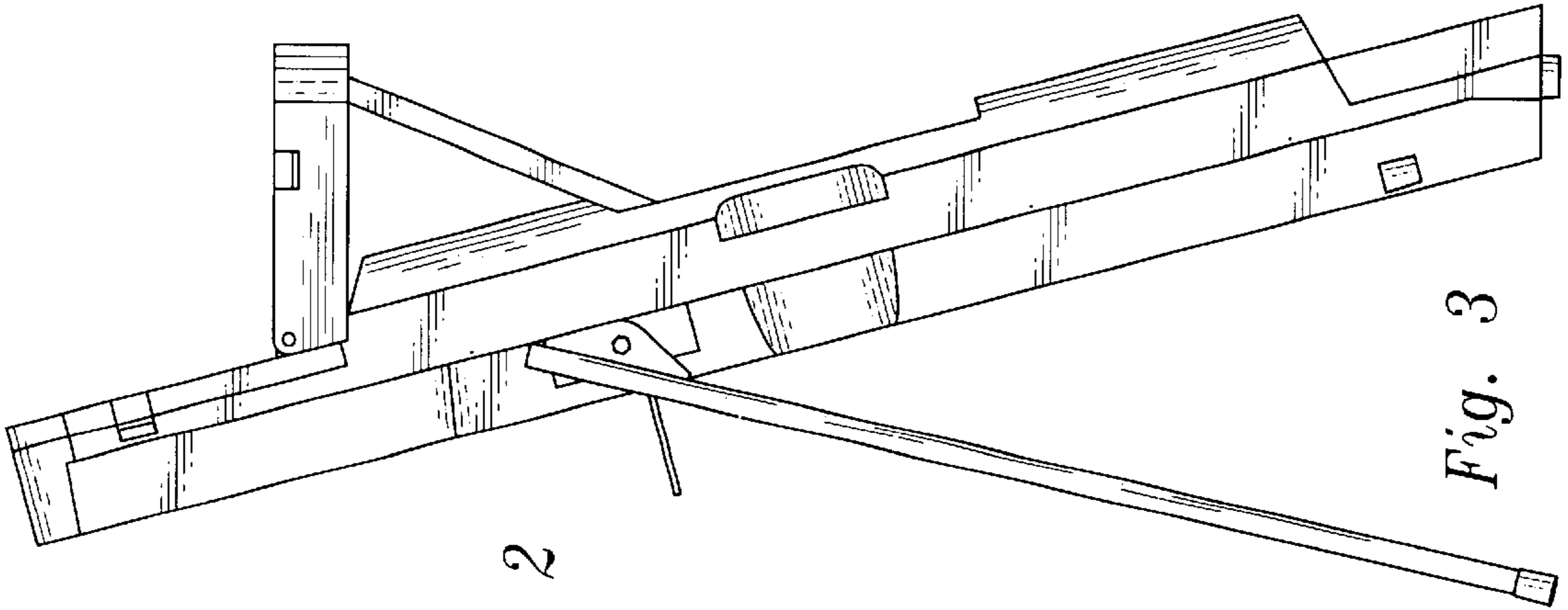


Fig. 3

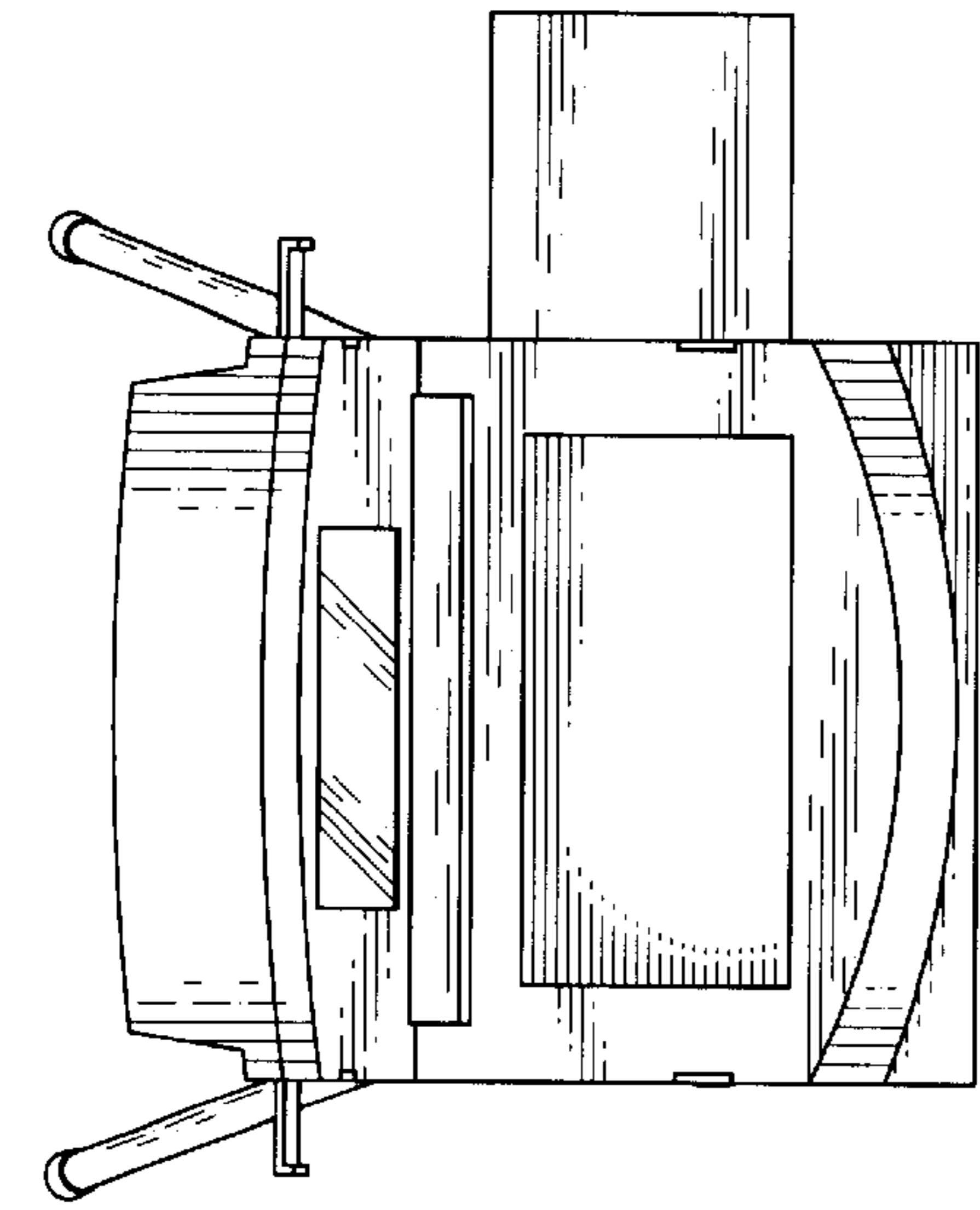


Fig. 6

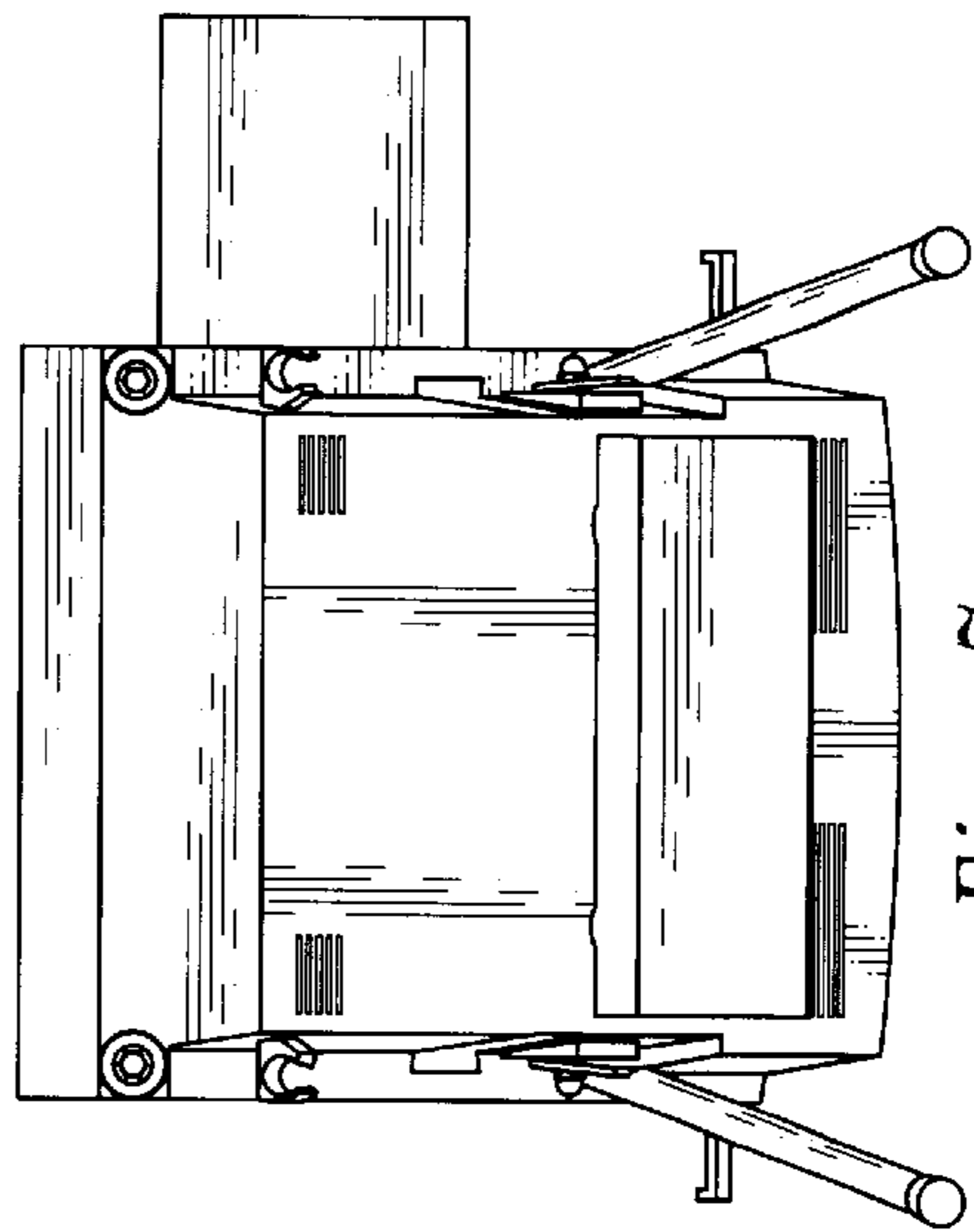


Fig. 7

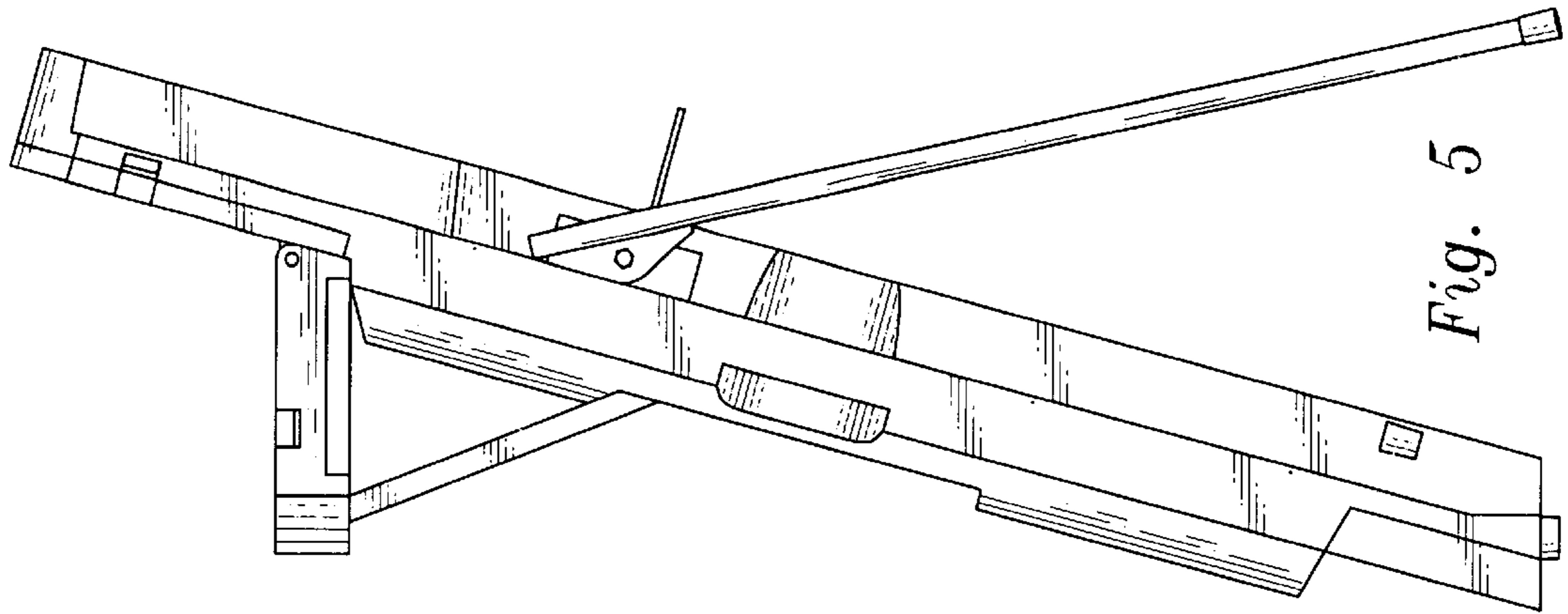


Fig. 5

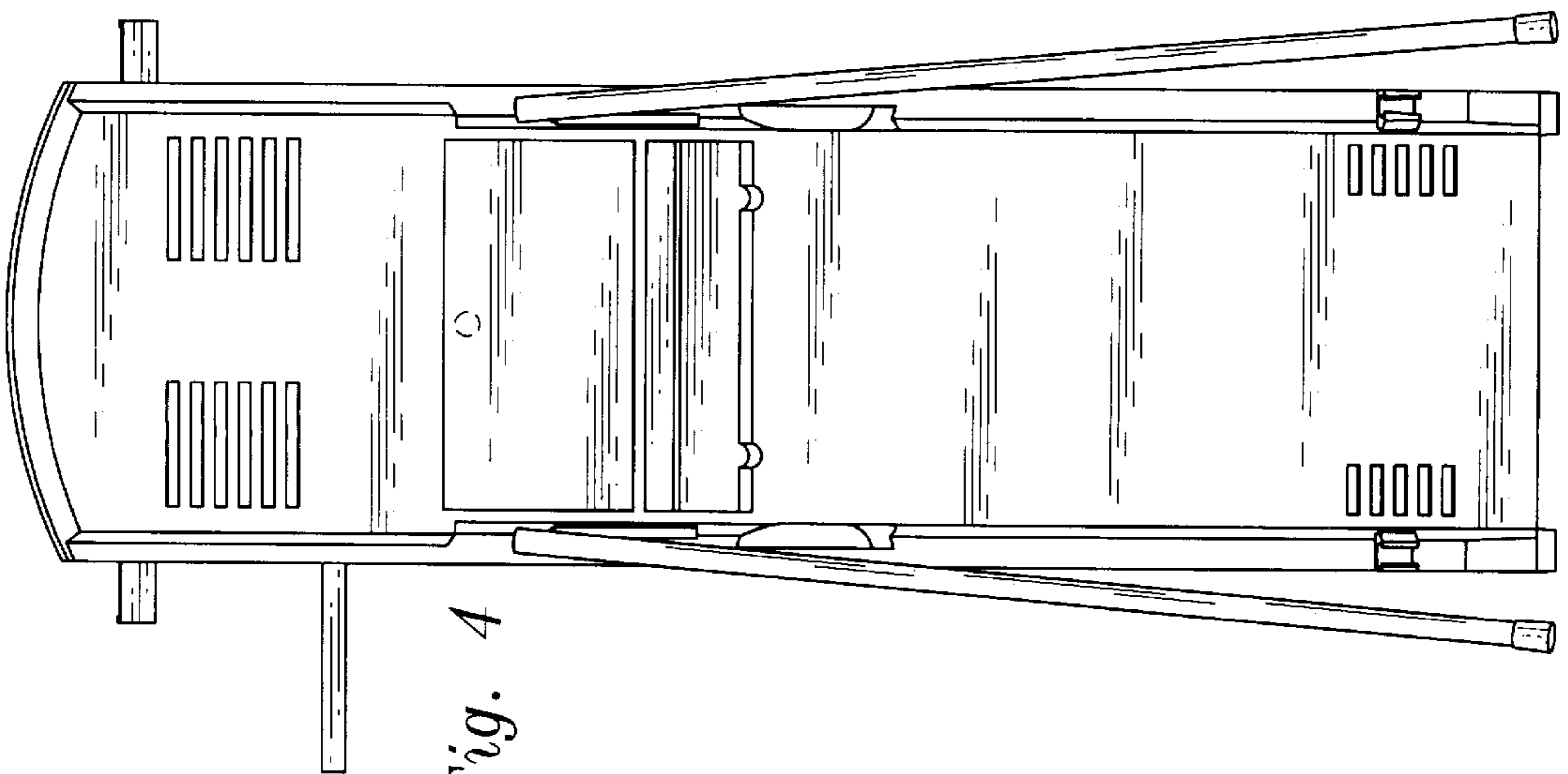
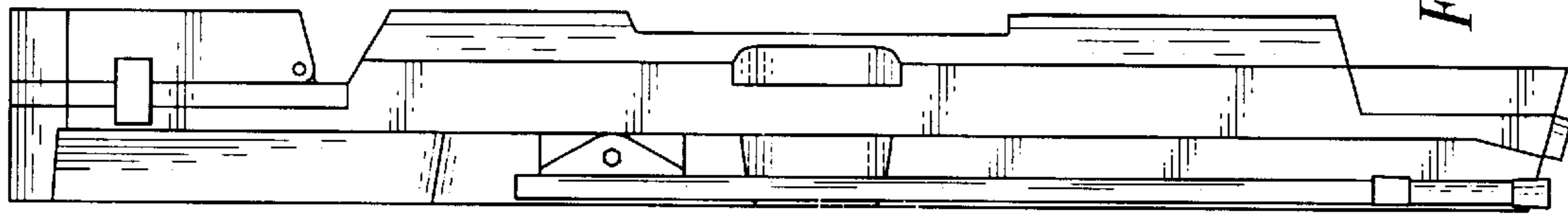
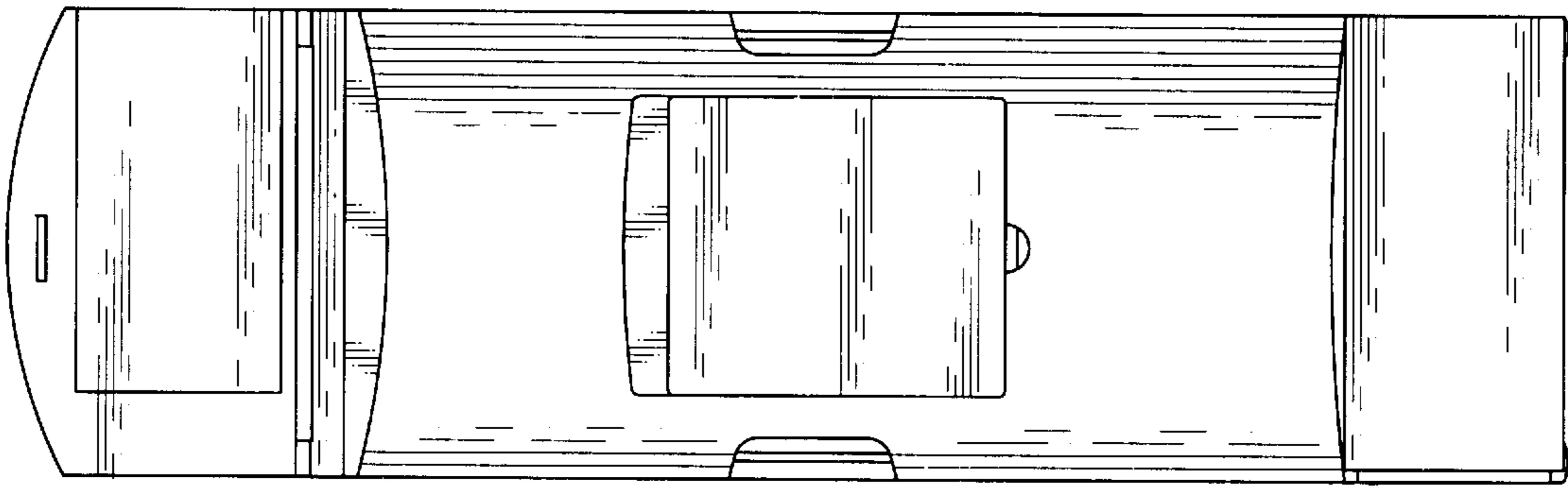


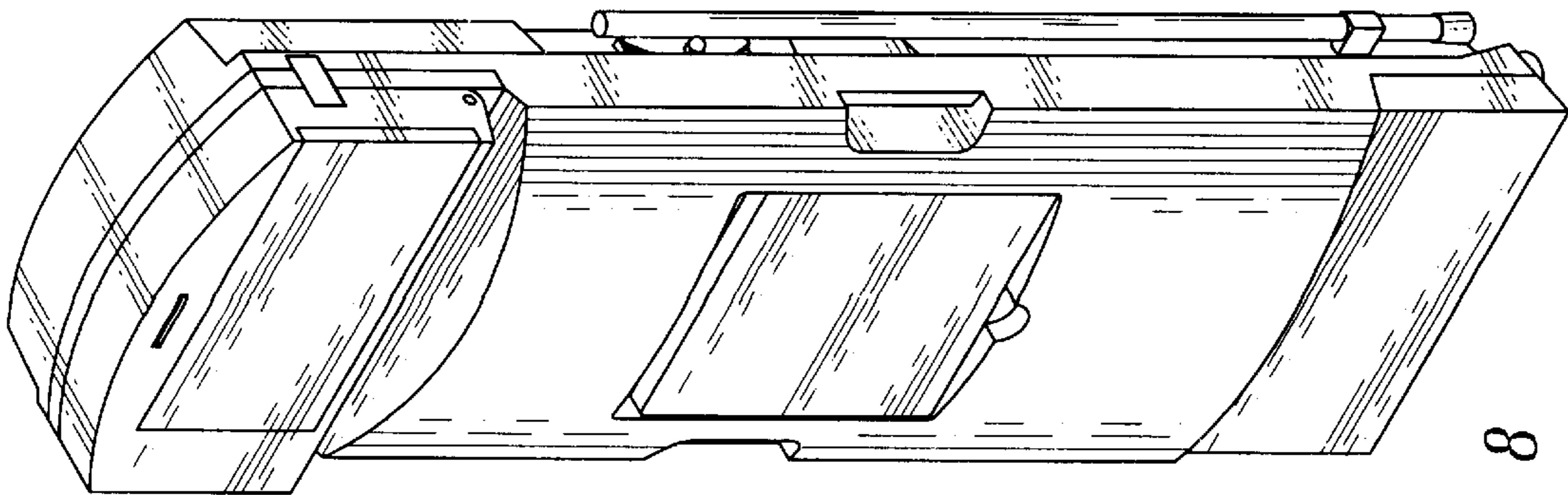
Fig. 4



*Fig. 10*

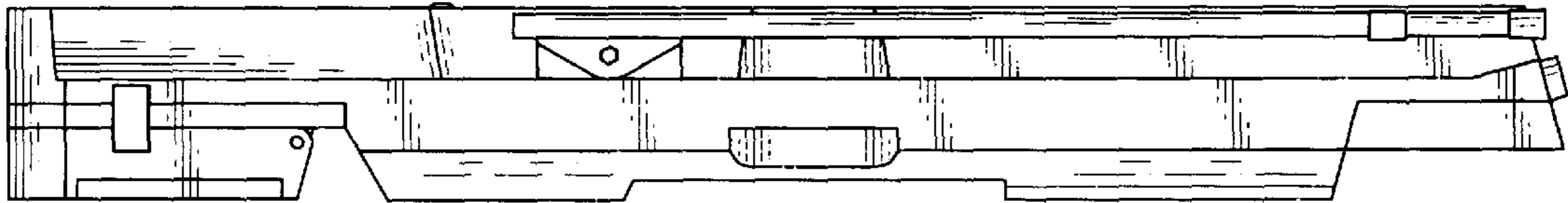


*Fig. 9*

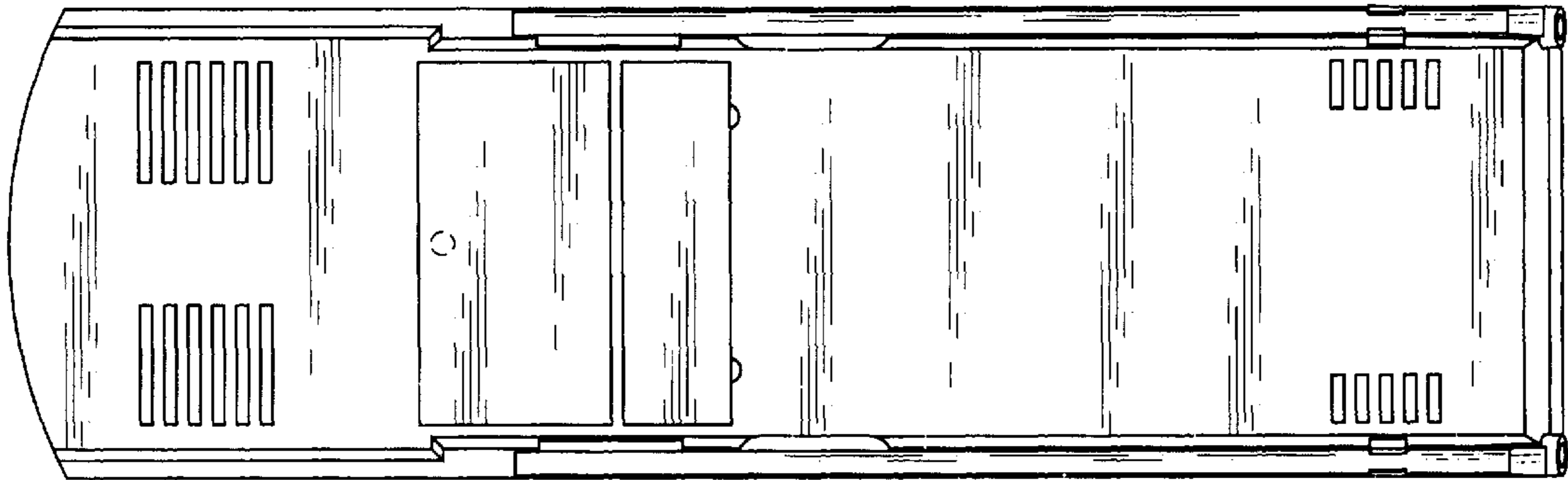


*Fig. 8*

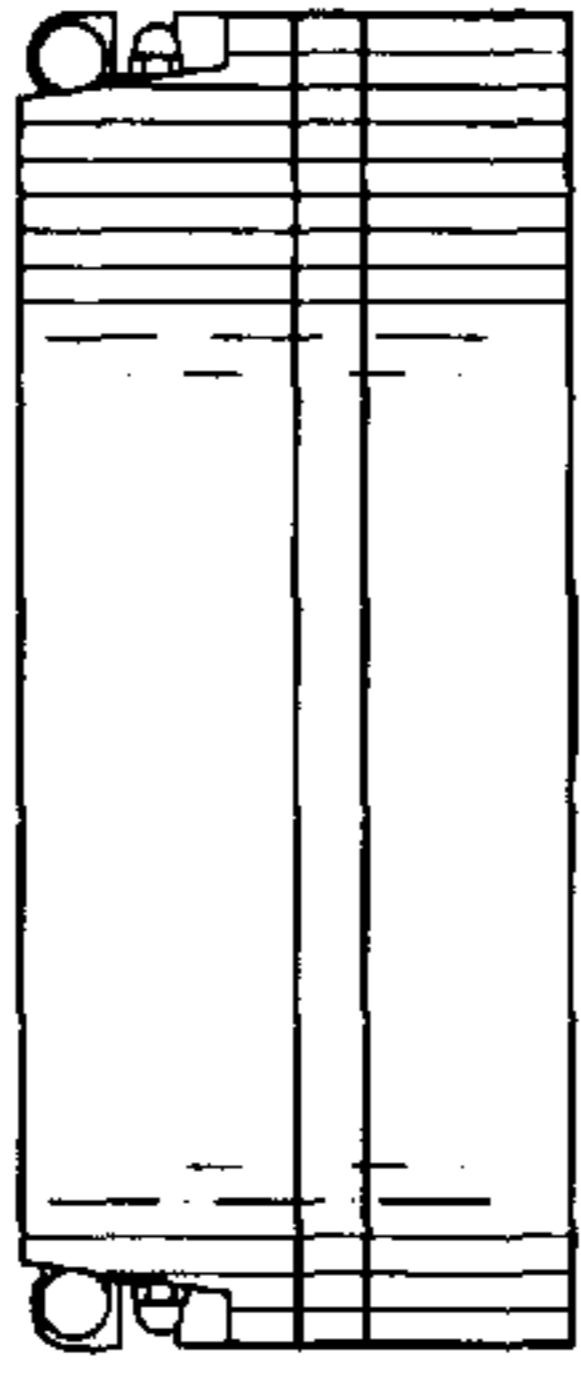




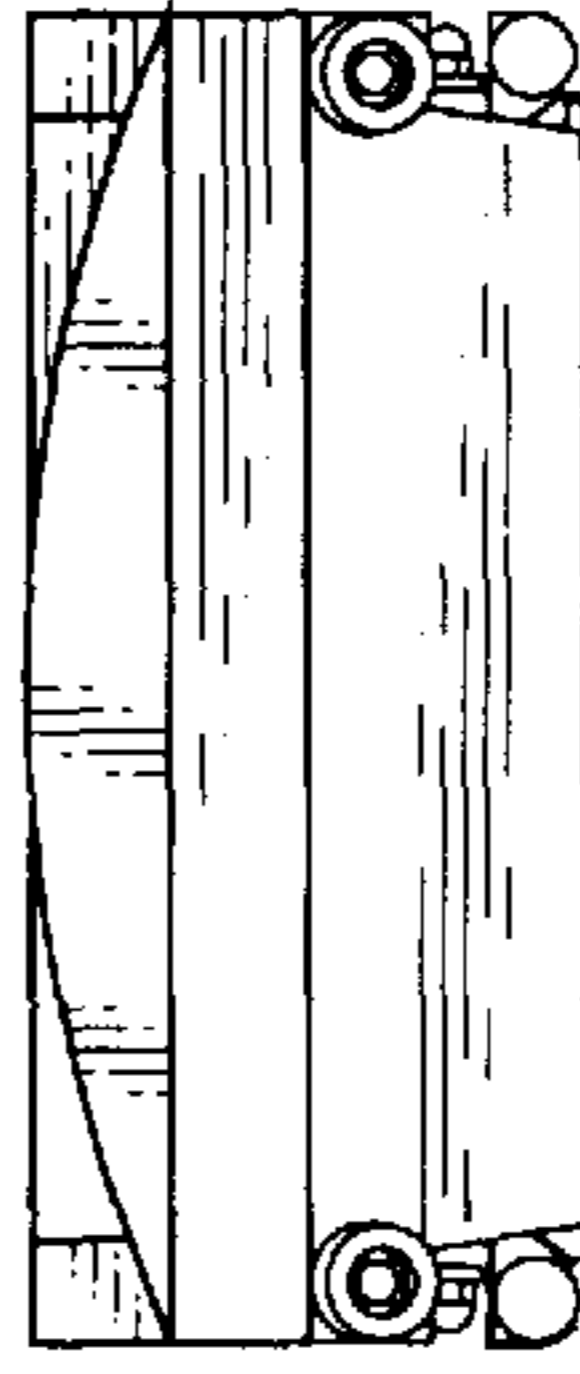
*Fig. 11*



*Fig. 12*



*Fig. 13*



*Fig. 14*