



US00D437908S

(12) **United States Design Patent**
Hsiung et al.

(10) **Patent No.:** **US D437,908 S**

(45) **Date of Patent:** **** Feb. 20, 2001**

(54) **BOXING EXERCISE APPARATUS**

4,749,184	*	6/1988	Tobin	482/83
5,613,925	*	3/1997	Miasserian	482/83
5,722,920	*	3/1998	Bauer	482/83
5,735,775	*	4/1998	Miasserian	482/83

(76) Inventors: **Bob Hsiung**, 1939 N. Redrock Dr.,
Walnut, CA (US) 91789; **Yong S. Chu**,
1225 Raymond Ave., Glendale, CA
(US) 91201; **Ray Smith**, 1927 N.
Normandie Ave., Los Angeles, CA (US)
90027

* cited by examiner

Primary Examiner—Philip S. Hyder
(74) *Attorney, Agent, or Firm*—Gene Scott-Patent Law &
Venture Group'

(**) Term: **14 Years**

(21) Appl. No.: **29/122,980**

(22) Filed: **May 5, 2000**

(51) **LOC (7) Cl.** **21-02**

(52) **U.S. Cl.** **D21/787; D21/798**

(58) **Field of Search** D21/662, 787,
D21/798; 482/83, 84, 85, 86, 87, 88, 89,
90

(57) **CLAIM**

The ornamental design for a boxing exercise apparatus, as shown and described.

DESCRIPTION

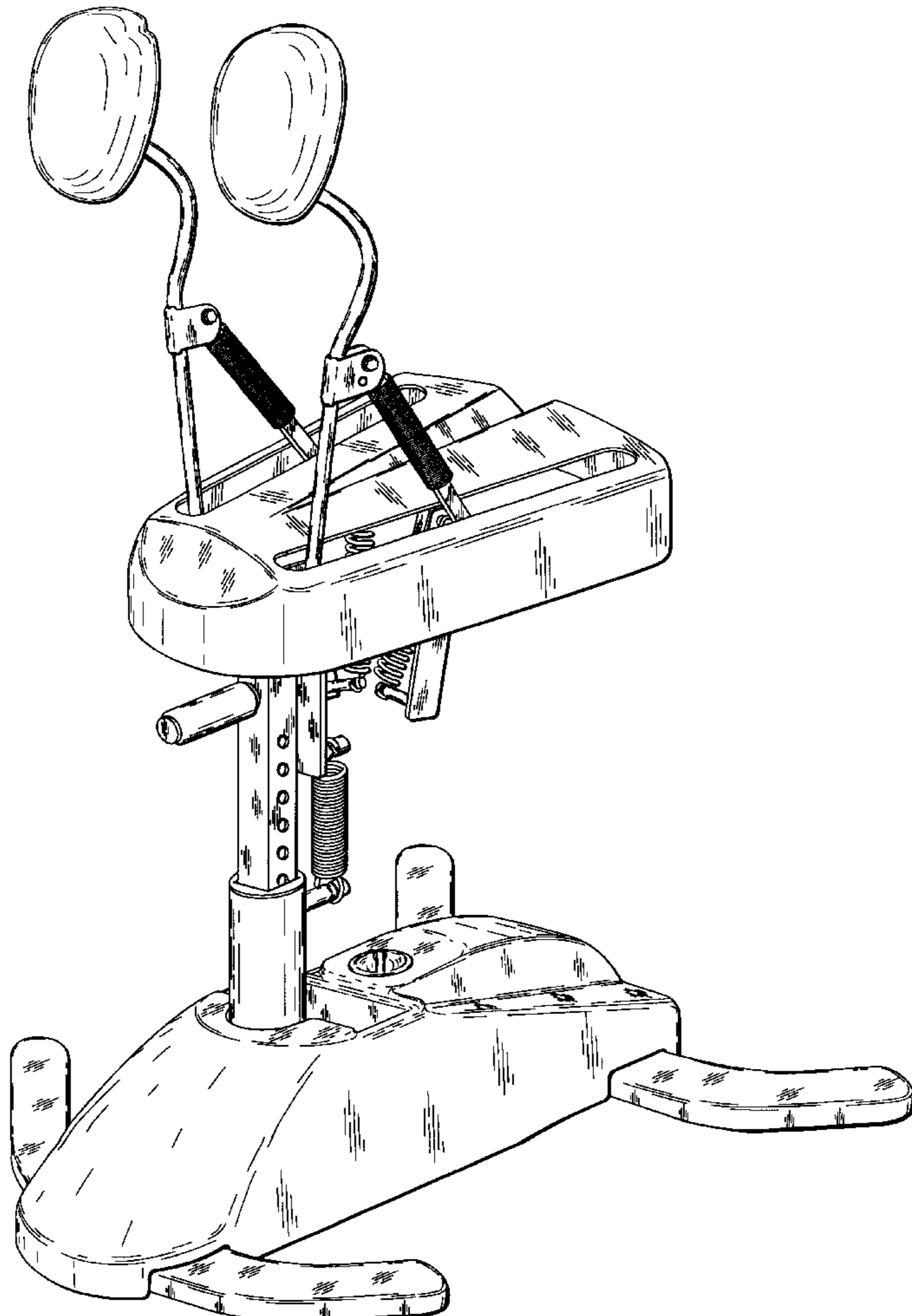
FIG. 1 is a perspective view of a boxing exercise apparatus, showing my new design;
FIG. 2 is a right side elevation view thereof;
FIG. 3 is a front elevation view thereof;
FIG. 4 is a rear elevation view thereof;
FIG. 5 is a top plan view thereof; and,
FIG. 6 is a bottom plan view thereof.

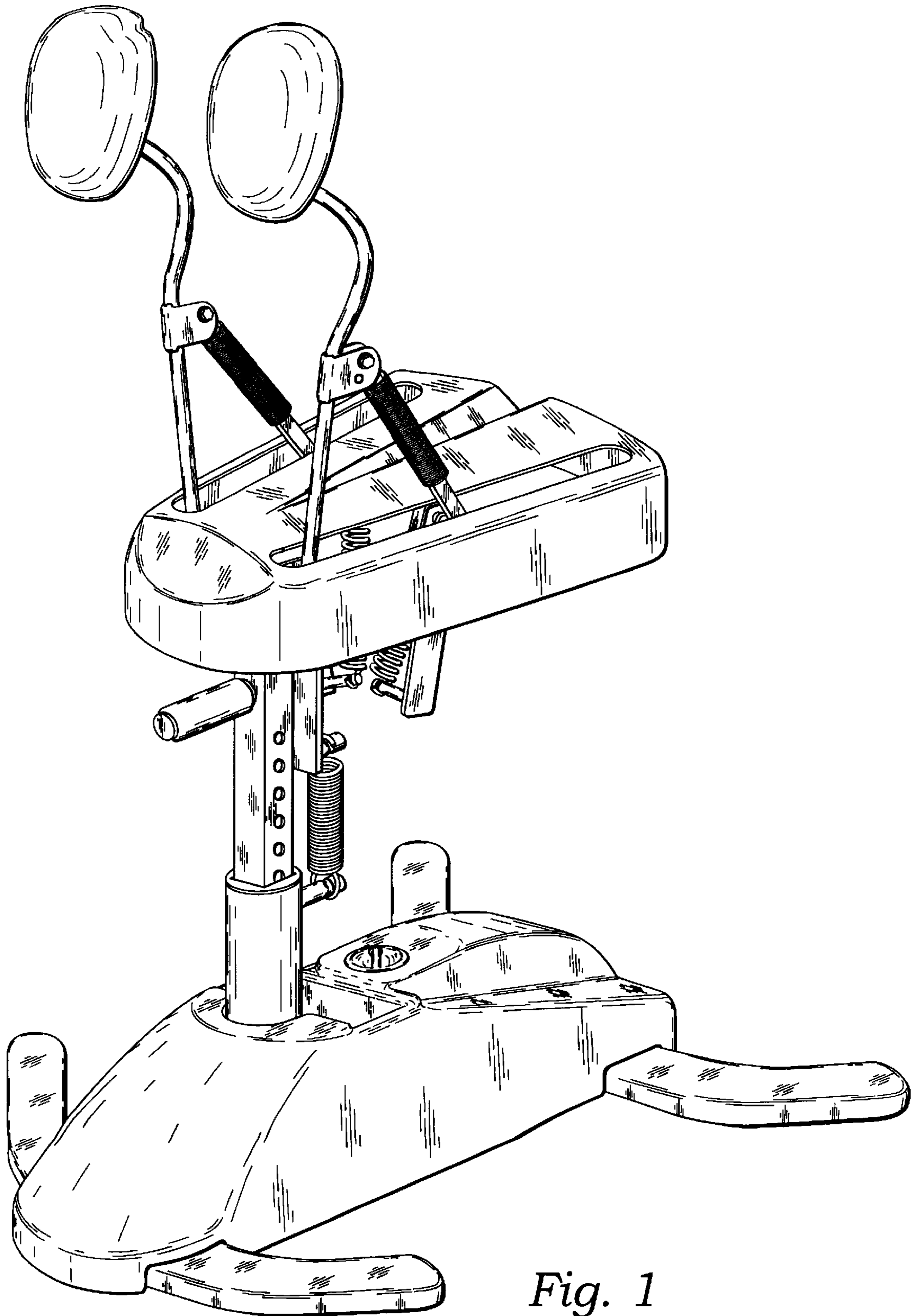
(56) **References Cited**

U.S. PATENT DOCUMENTS

D. 265,333 * 7/1982 Lee D21/798

1 Claim, 5 Drawing Sheets





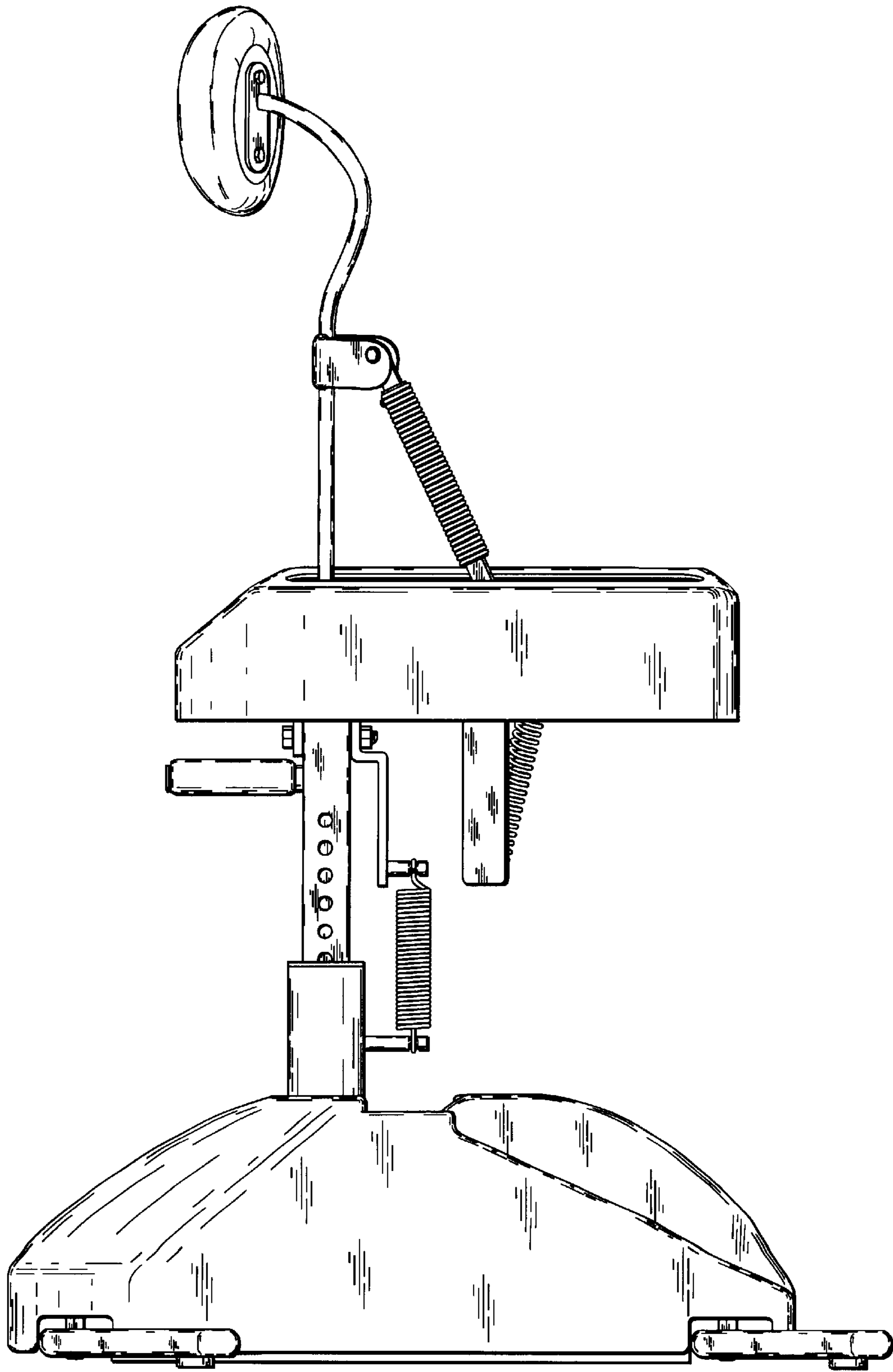


Fig. 2

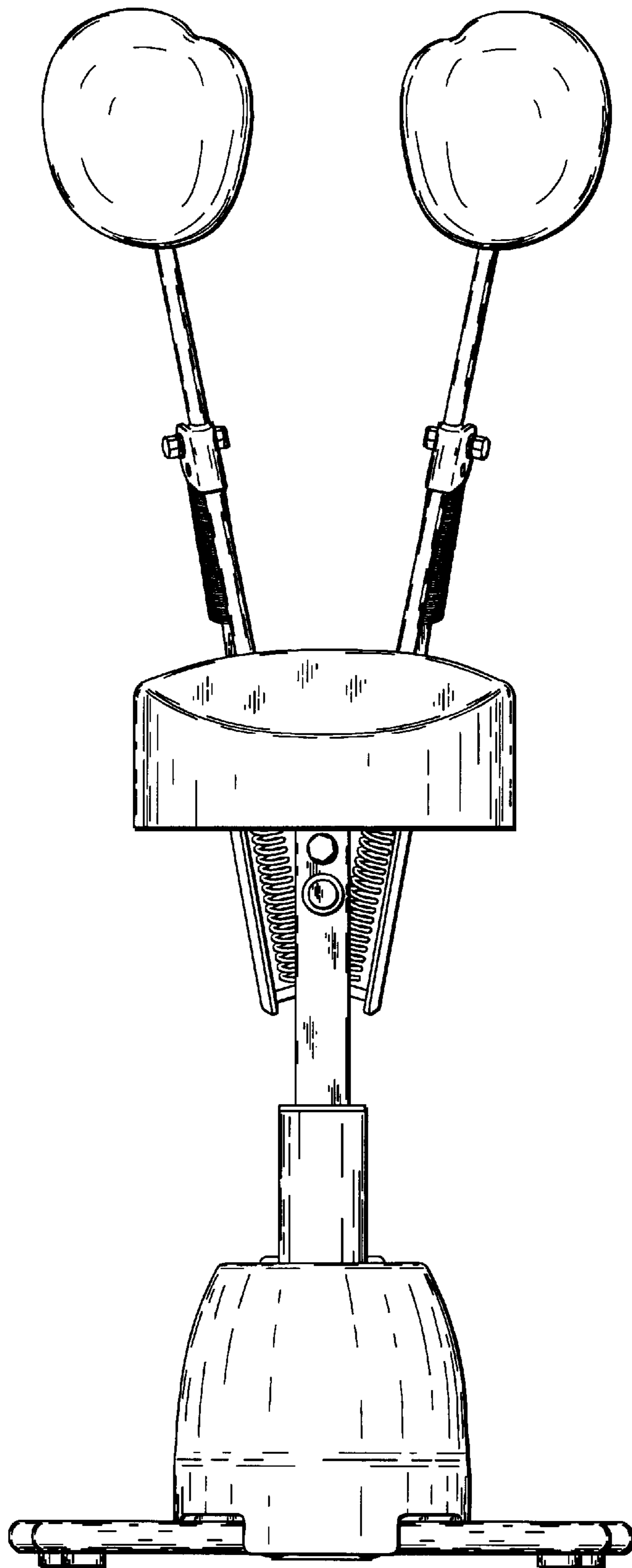


Fig. 3

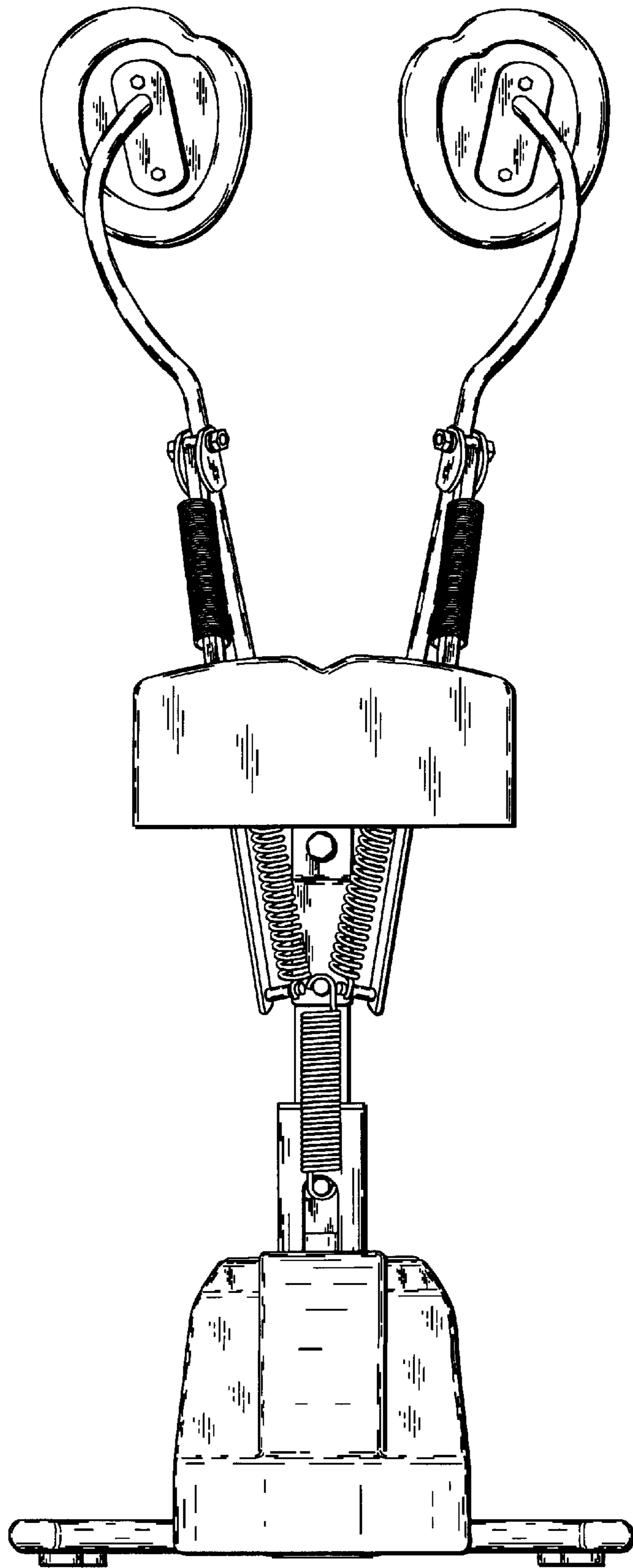


Fig. 4

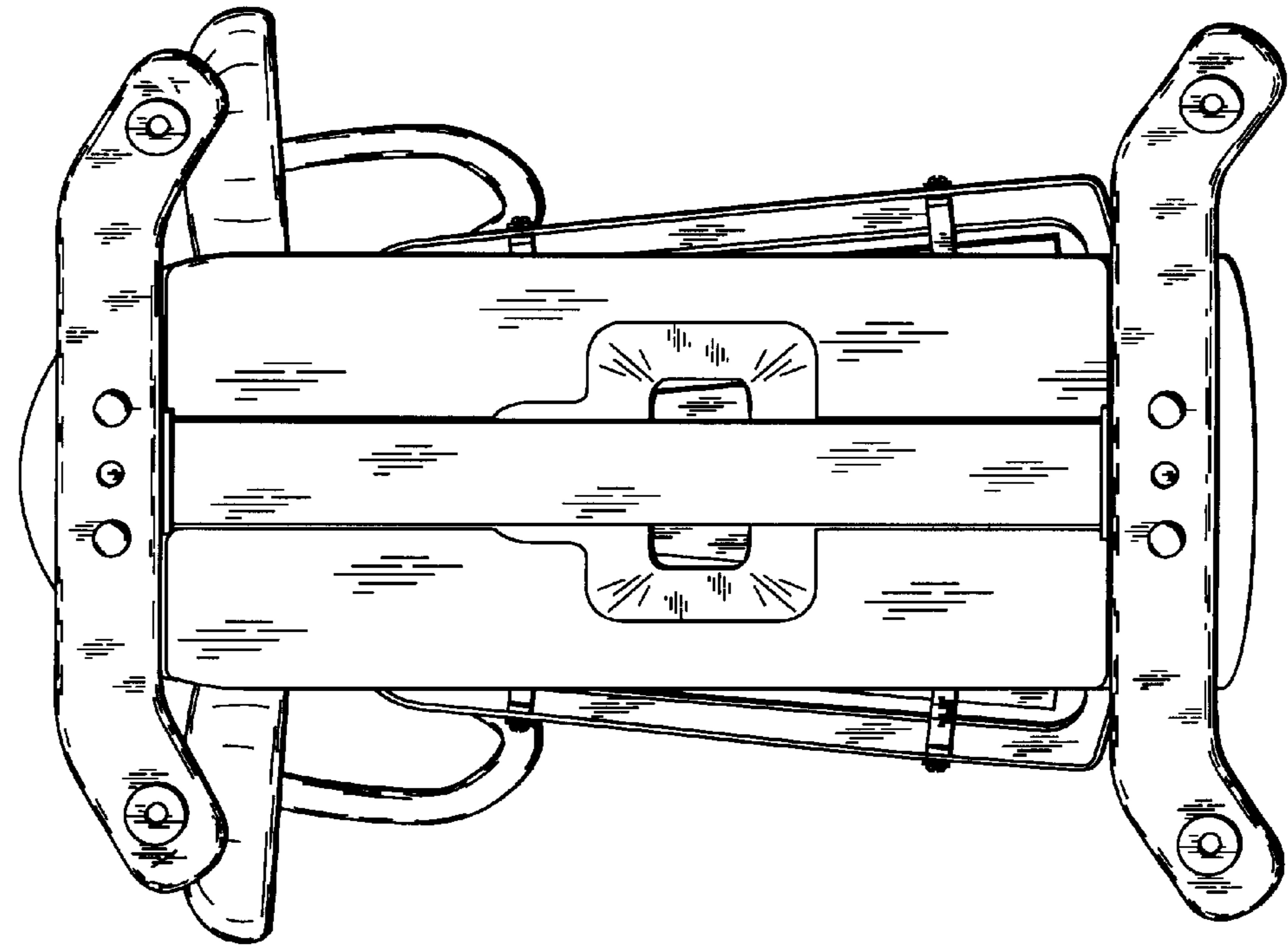


Fig. 6

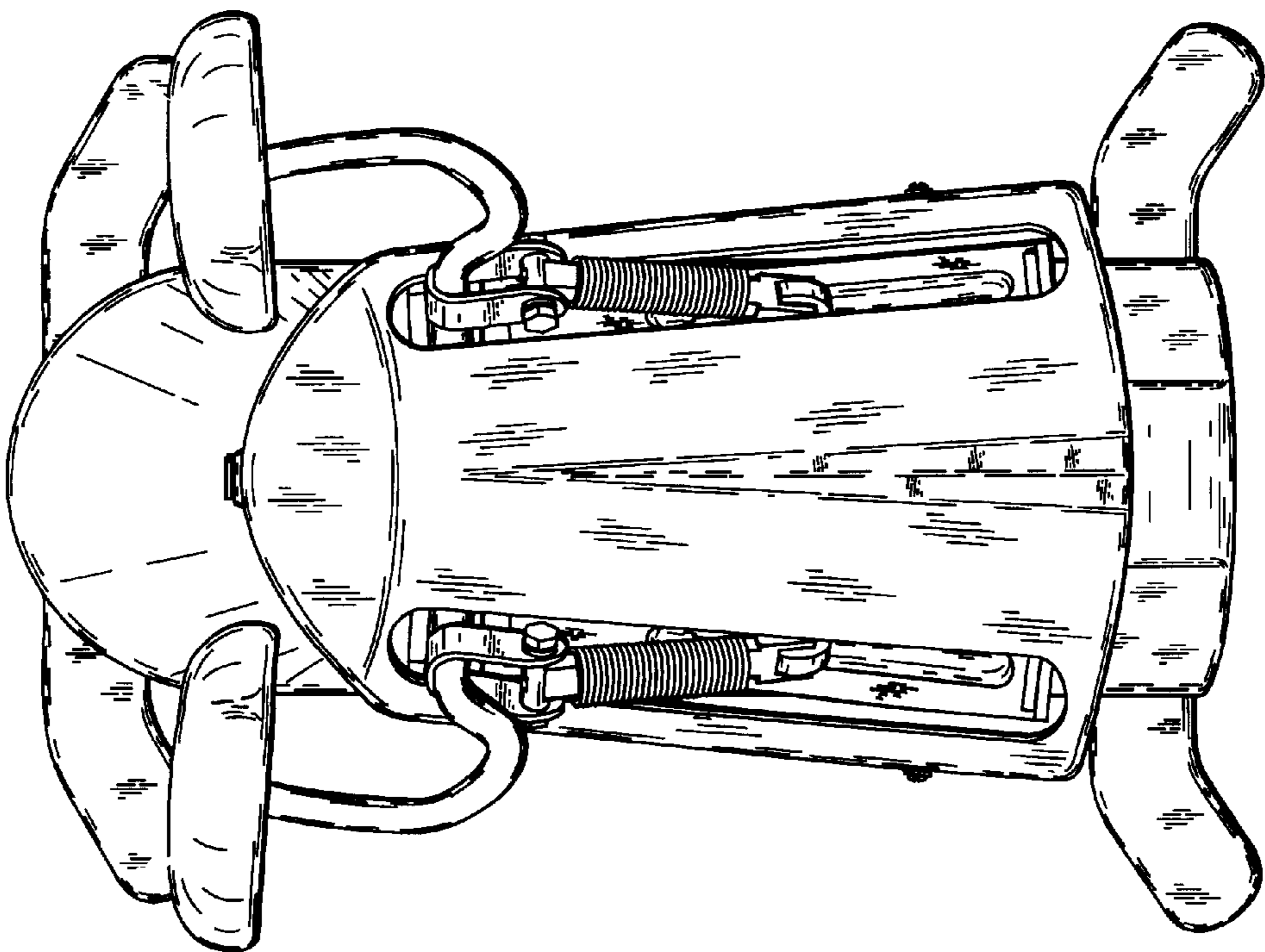


Fig. 5