



US00D437901S

(12) **United States Design Patent**  
**Forman**

(10) **Patent No.:** **US D437,901 S**

(45) **Date of Patent:** **\*\* Feb. 20, 2001**

(54) **CUSHION**

D. 392,493 \* 3/1998 Loud ..... D6/601  
5,980,474 \* 11/1999 Darcey ..... 602/5

(76) Inventor: **Mark Forman**, 10828 N. Biltmore Dr.,  
#102, Phoenix, AZ (US) 85028

\* cited by examiner

(\*\*) Term: **14 Years**

*Primary Examiner*—Philip S. Hyder  
(74) *Attorney, Agent, or Firm*—Charles E. Baxley

(21) Appl. No.: **29/113,413**

(57) **CLAIM**

(22) Filed: **Nov. 4, 1999**

The ornamental design for a cushion, as shown and described.

(51) **LOC (7) Cl.** ..... **21-02**

**DESCRIPTION**

(52) **U.S. Cl.** ..... **D21/694; D21/798; D21/662;**  
D3/299; D6/601

FIG. 1 is a front-left-top perspective view of a cushion,  
showing my new design;  
FIG. 2 is a front elevational view thereof; the rear side being  
a mirror image thereof;  
FIG. 3 is a left side elevational view thereof;  
FIG. 4 is a right side elevational view thereof;  
FIG. 5 is a top plan view thereof;  
FIG. 6 is a bottom plan view thereof; and,  
FIG. 7 is a front perspective view thereof, wherein the  
broken line portion of the disclosure is for illustrative  
purposes only and forms no part of the claimed design.

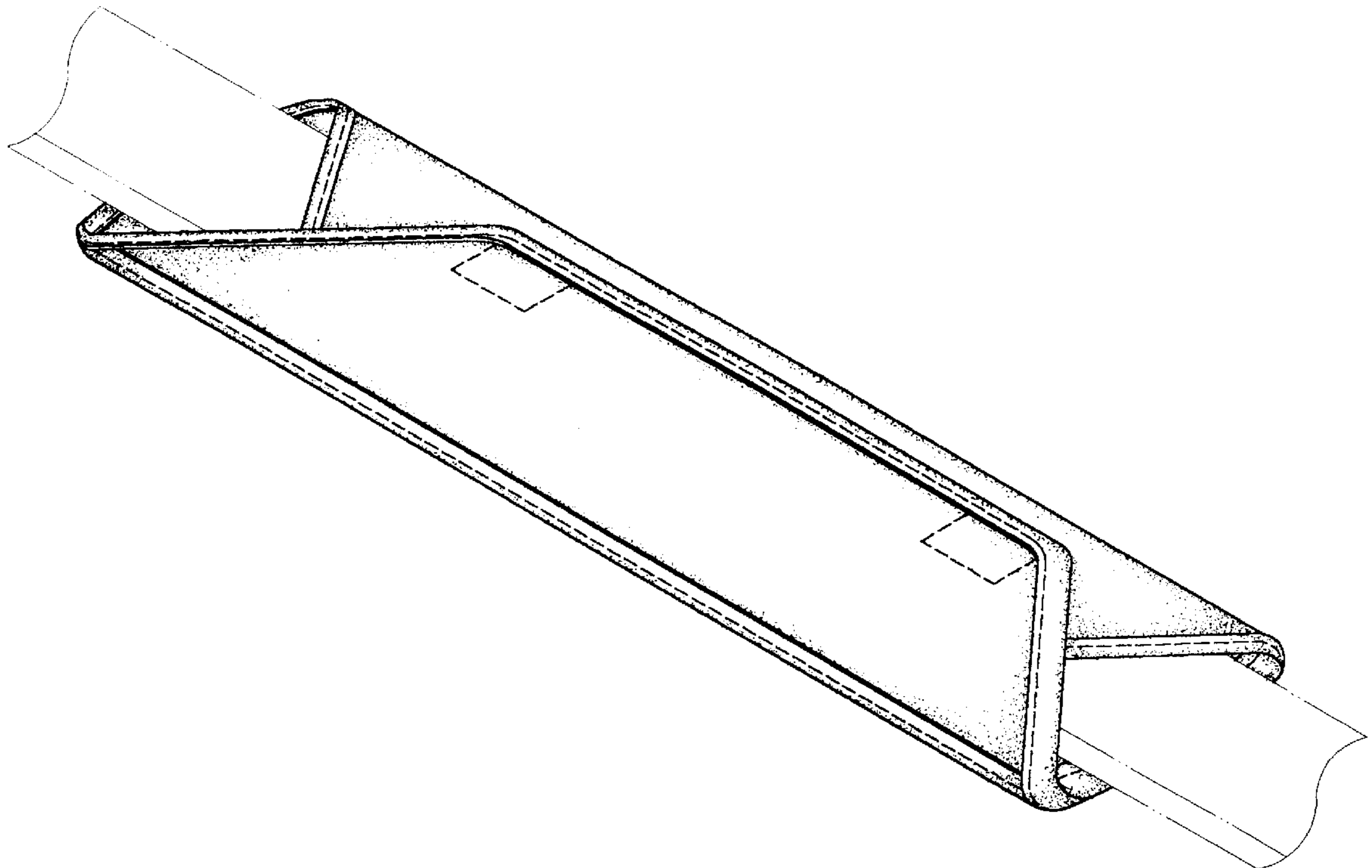
(58) **Field of Search** ..... D21/662, 694,  
D21/798; D29/120.1, 121.1; D24/190; D6/610,  
601, 596; 482/23, 25, 148, 83, 88; D3/299

(56) **References Cited**

**U.S. PATENT DOCUMENTS**

- D. 289,228 \* 4/1987 Chinman ..... D3/299
- D. 298,969 \* 12/1988 Pryor ..... D24/190
- D. 319,729 \* 9/1991 Kogutt ..... D3/299
- D. 336,566 \* 6/1993 Desjardins ..... D24/190
- D. 354,137 \* 1/1995 Neal ..... D24/190

**1 Claim, 3 Drawing Sheets**



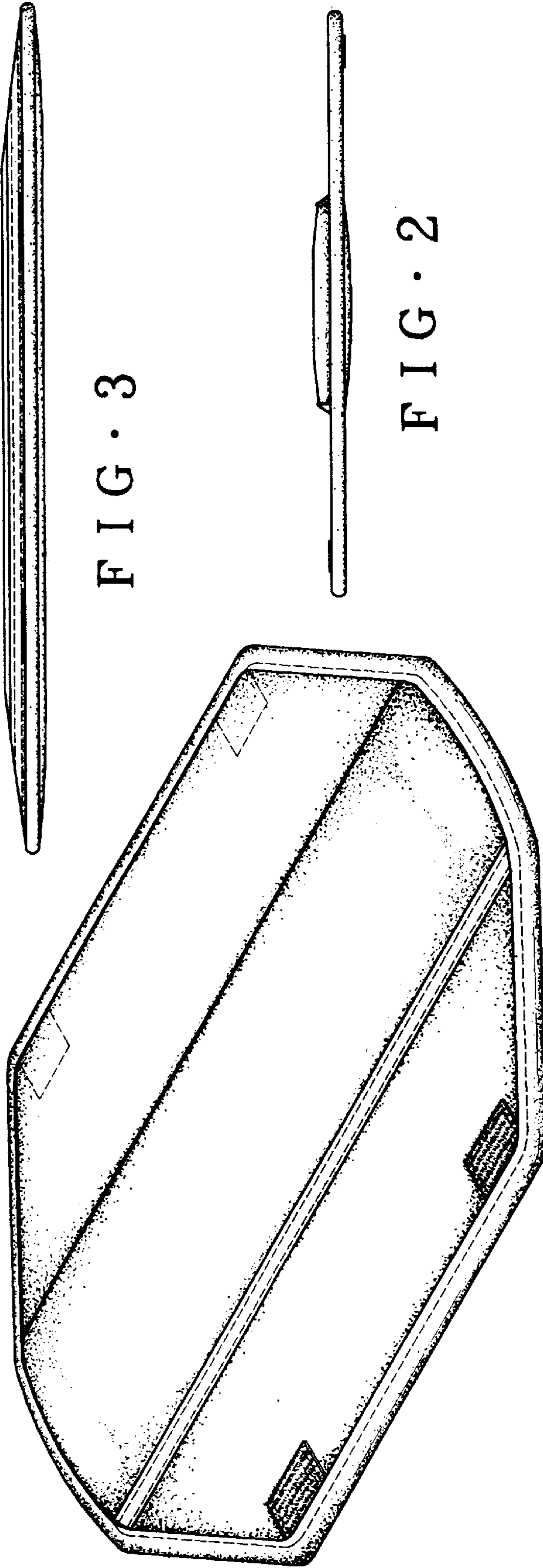


FIG. 1



FIG. 3



FIG. 2



FIG. 4

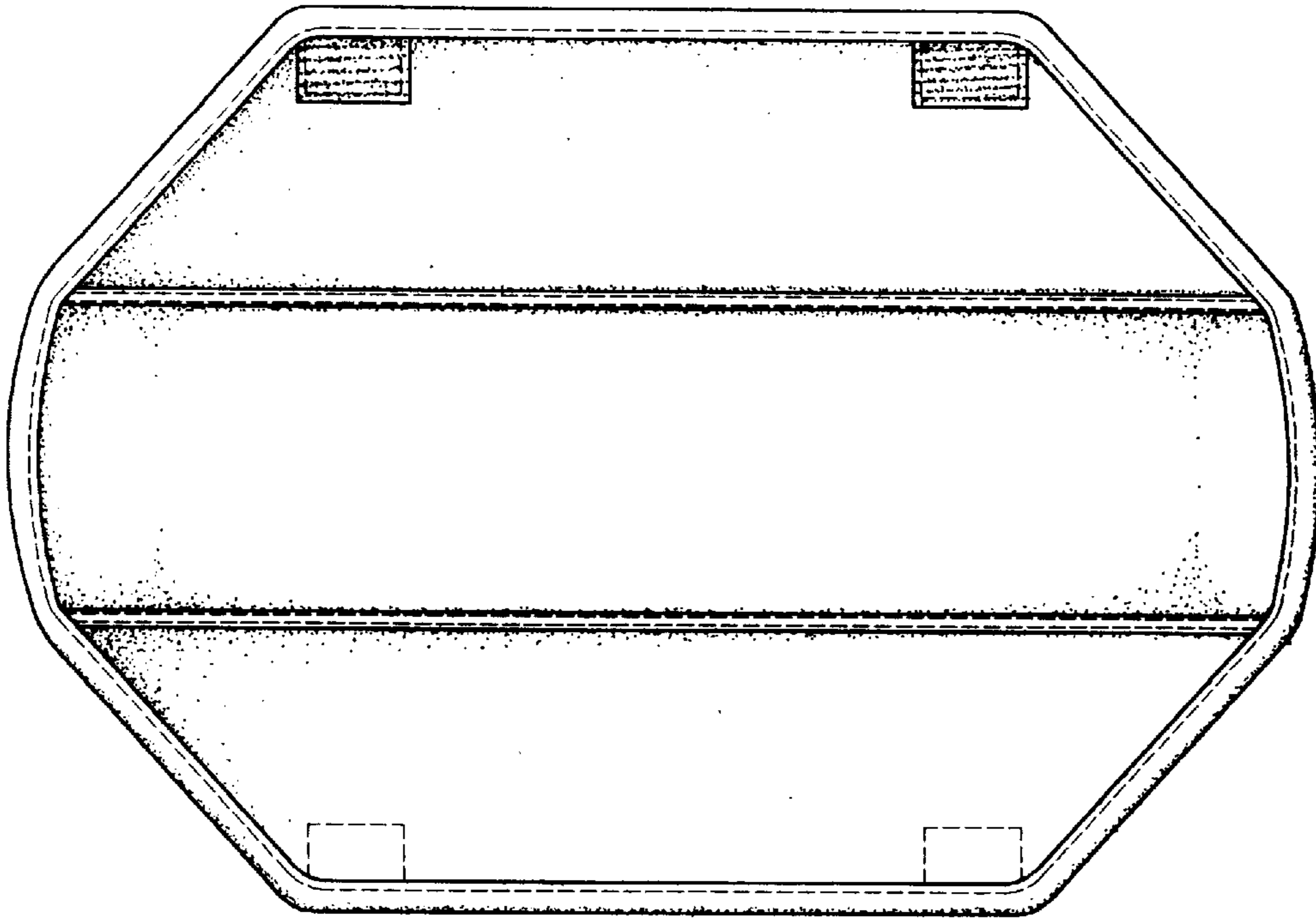


FIG. 5

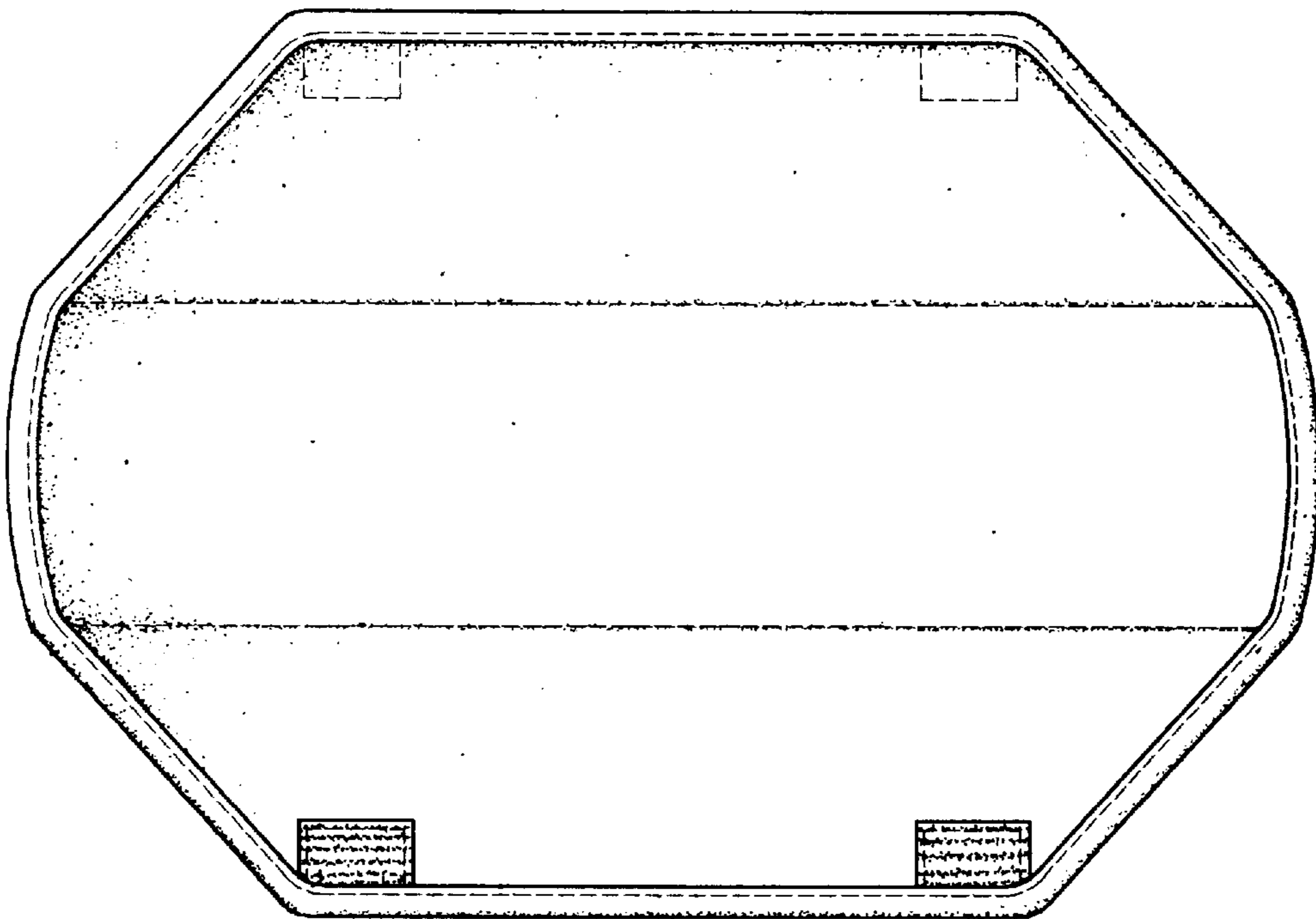


FIG. 6

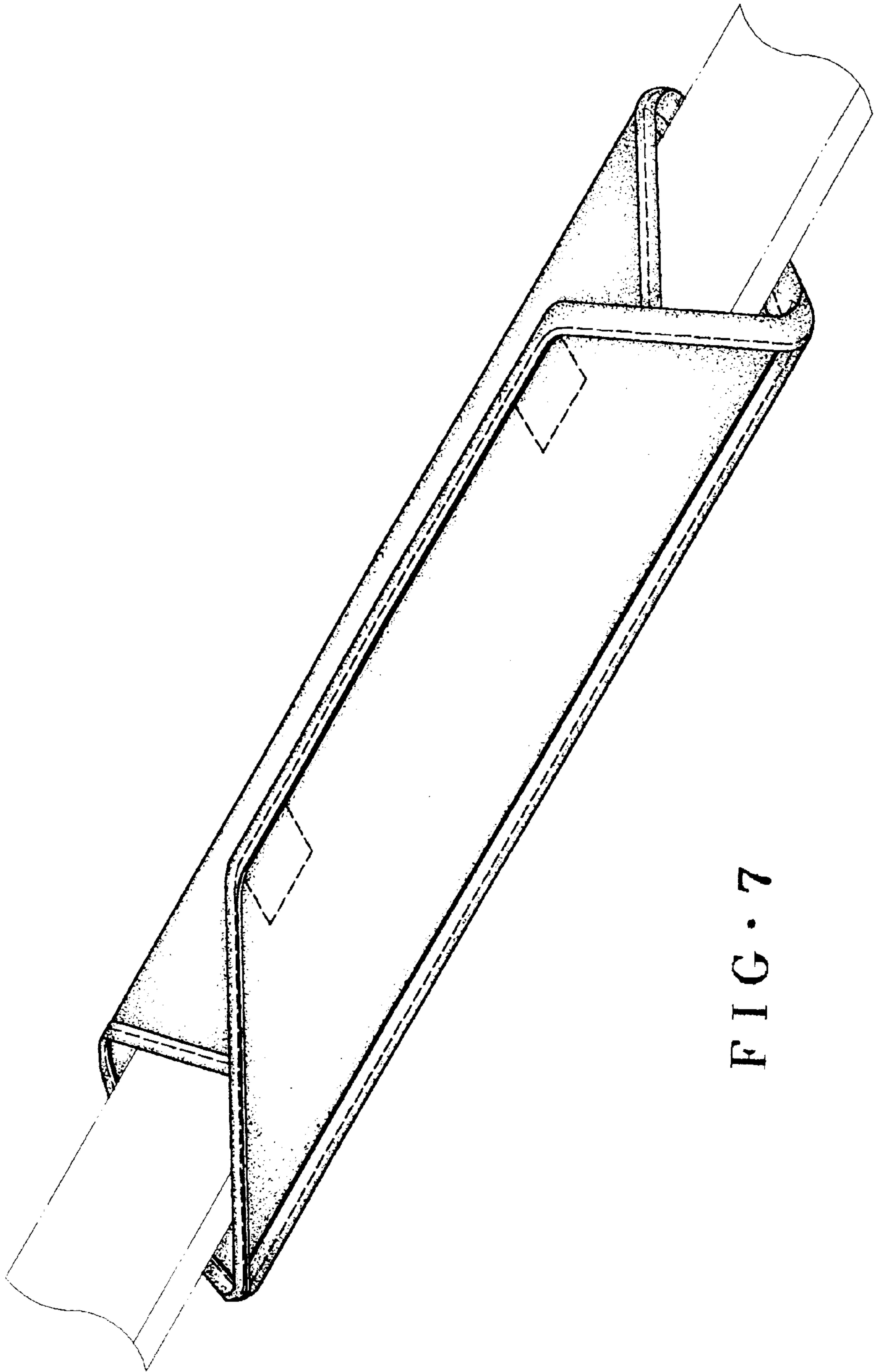


FIG. 7