



US00D437900S

(12) **United States Design Patent**
Dick et al.

(10) **Patent No.:** **US D437,900 S**

(45) **Date of Patent:** **** Feb. 20, 2001**

(54) **EXERCISE TREADMILL**

(76) Inventors: **Eric R. Dick**, 2101 Kings Rd., Carrollton, Denton County, TX (US) 75007; **Chris Goddard**, 1643 Juniper La., Lewisville, Denton County, TX (US) 75077; **Joseph M. Schuster**, 3228 Skylane Dr., Carrollton, Denton County, TX (US) 75006; **James M. Singleton**, 104 Brentwood Ct., Allen, Collin County, TX (US) 75013; **Michael C. Story**, 2808 Wales Ct., Grand Prairie, Tarrant County, TX (US) 75052; **Jeffery J. Zimmerer**, 1448 Sierra Springs Dr. #1014, Bedford, Tarrant County, TX (US) 76021

(**) Term: **14 Years**

(21) Appl. No.: **29/092,865**

(22) Filed: **Aug. 28, 1998**

(51) **LOC (7) Cl.** **21-02**

(52) **U.S. Cl.** **D21/669**

(58) **Field of Search** D21/662, 668, D21/669, 670; 482/51, 54

(56) **References Cited**

U.S. PATENT DOCUMENTS

D. 355,227	*	2/1995	Summers et al.	D21/669
D. 372,508	*	8/1996	Clem	D21/669
D. 374,260	*	10/1996	Snyderman et al.	D21/669
D. 387,402	*	12/1997	Coody et al.	D21/669
D. 393,297	*	4/1998	McBride et al.	D21/669
D. 403,034	*	12/1998	Moon et al.	D21/669
D. 416,298	*	11/1999	Onuma et al.	D21/669
4,635,927		1/1987	Shu	482/54

4,635,928	1/1987	Ogden et al.	482/54
4,643,418	2/1987	Bart	482/54
4,974,831	12/1990	Dunham	482/54
4,984,810	1/1991	Stearns et al.	482/54
5,007,630	4/1991	Real et al.	482/54
5,062,632	11/1991	Dalebout et al.	482/54
5,072,928	12/1991	Stearns et al.	482/54
5,088,729	2/1992	Dalebout	482/54
5,102,380	4/1992	Jacobson et al.	482/54
5,110,117	5/1992	Fisher et al.	482/54
5,141,479	8/1992	Vanjani et al.	482/54

OTHER PUBLICATIONS

Star Trac® by Unisen, Inc., Star Trac 3000.

* cited by examiner

Primary Examiner—Philip S. Hyder

(74) *Attorney, Agent, or Firm*—Jackson Walker LLP

(57) **CLAIM**

The ornamental design for an exercise treadmill, as shown and described.

DESCRIPTION

FIG. 1 is a left side elevational view of the exercise treadmill showing our new design, the right side view being a mirror image.

FIG. 2 is a front elevational view thereof.

FIG. 3 is a top plan view thereof.

FIG. 4 is a rear elevational view thereof.

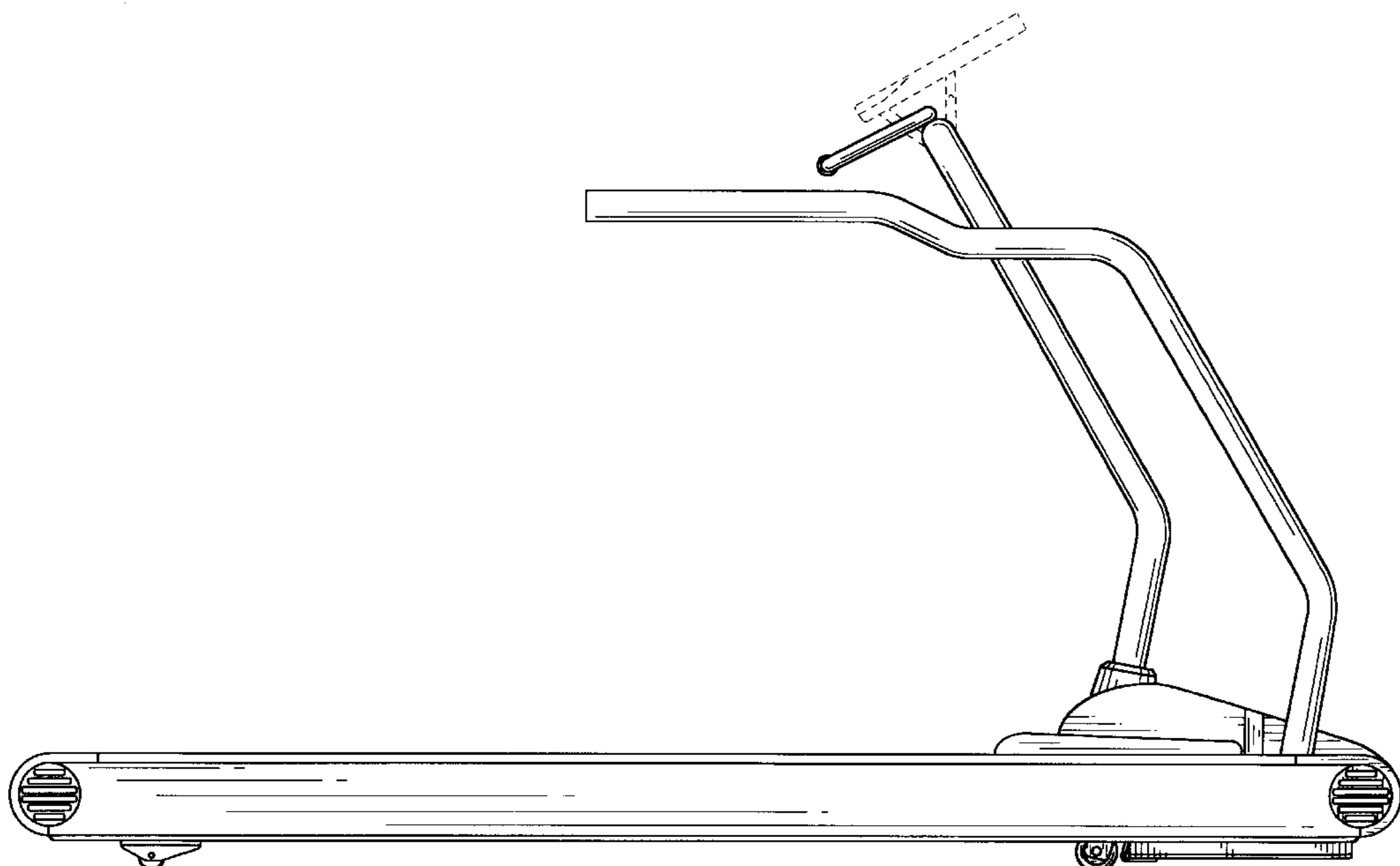
FIG. 5 is a right side elevational view thereof.

FIG. 6 is a bottom plan view thereof; and,

FIG. 7 is a perspective view thereof.

The broken line showing of control panel is for illustrative purposes only and forms no part of the claimed design.

1 Claim, 7 Drawing Sheets



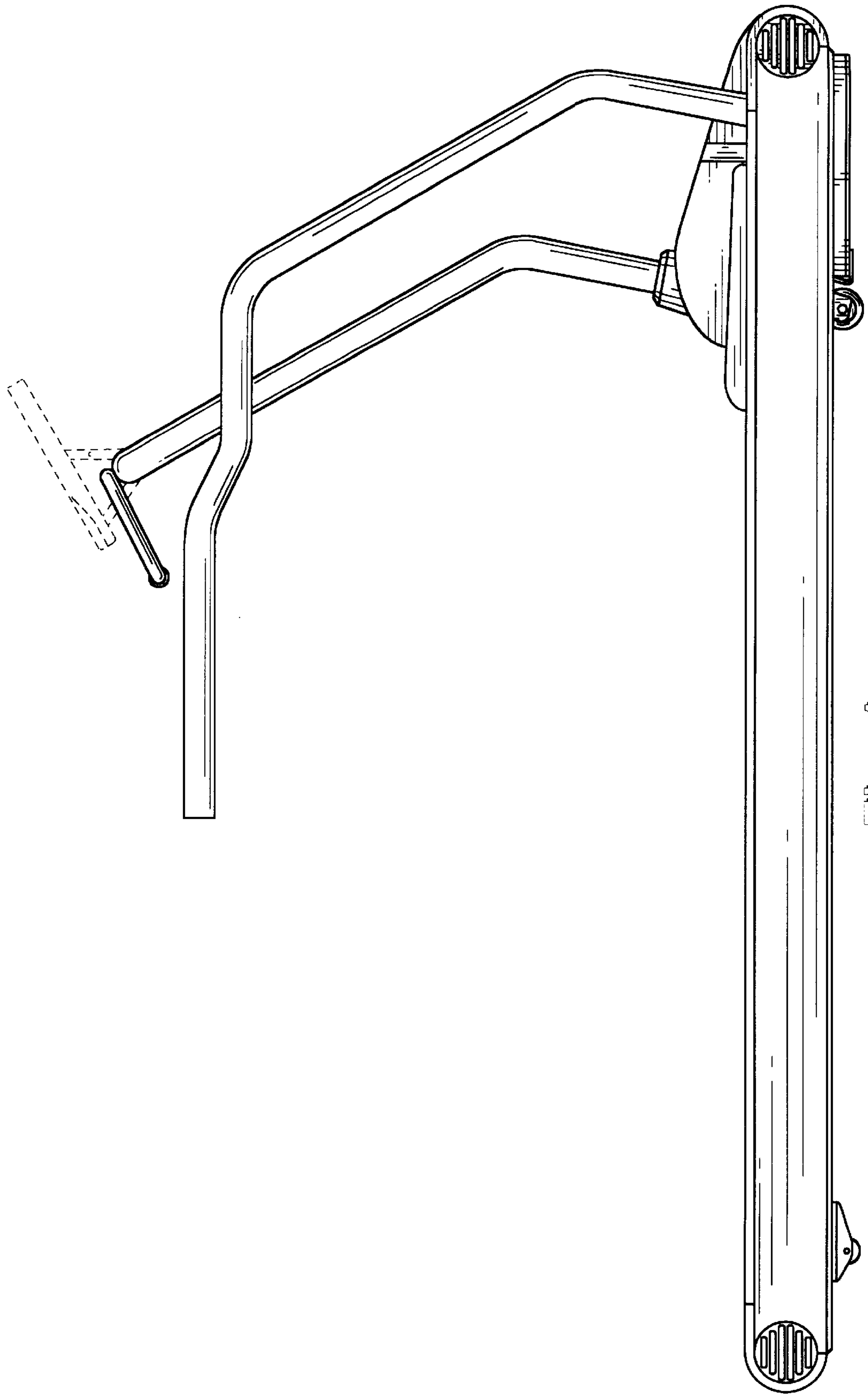


Fig. 1

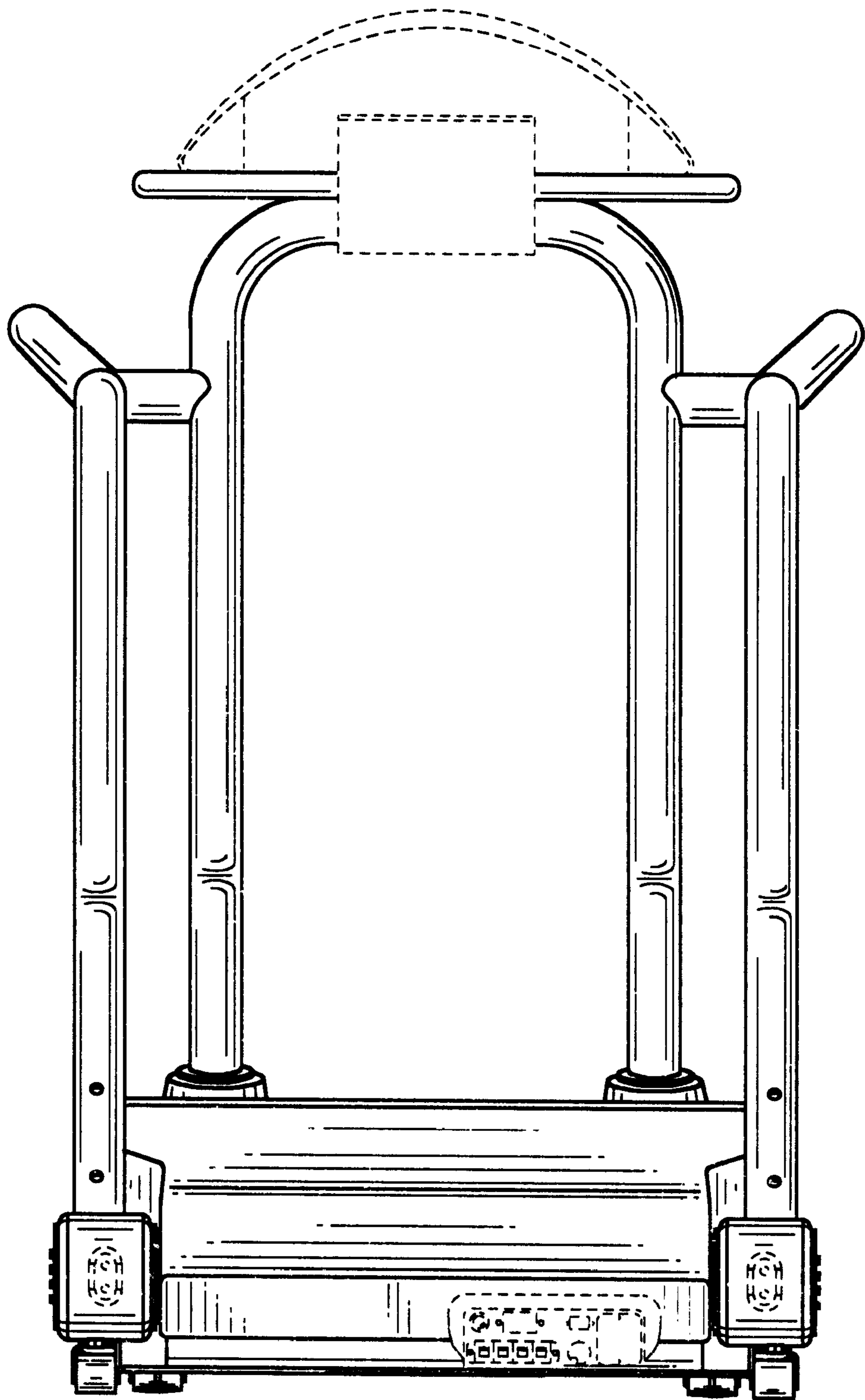


Fig. 2

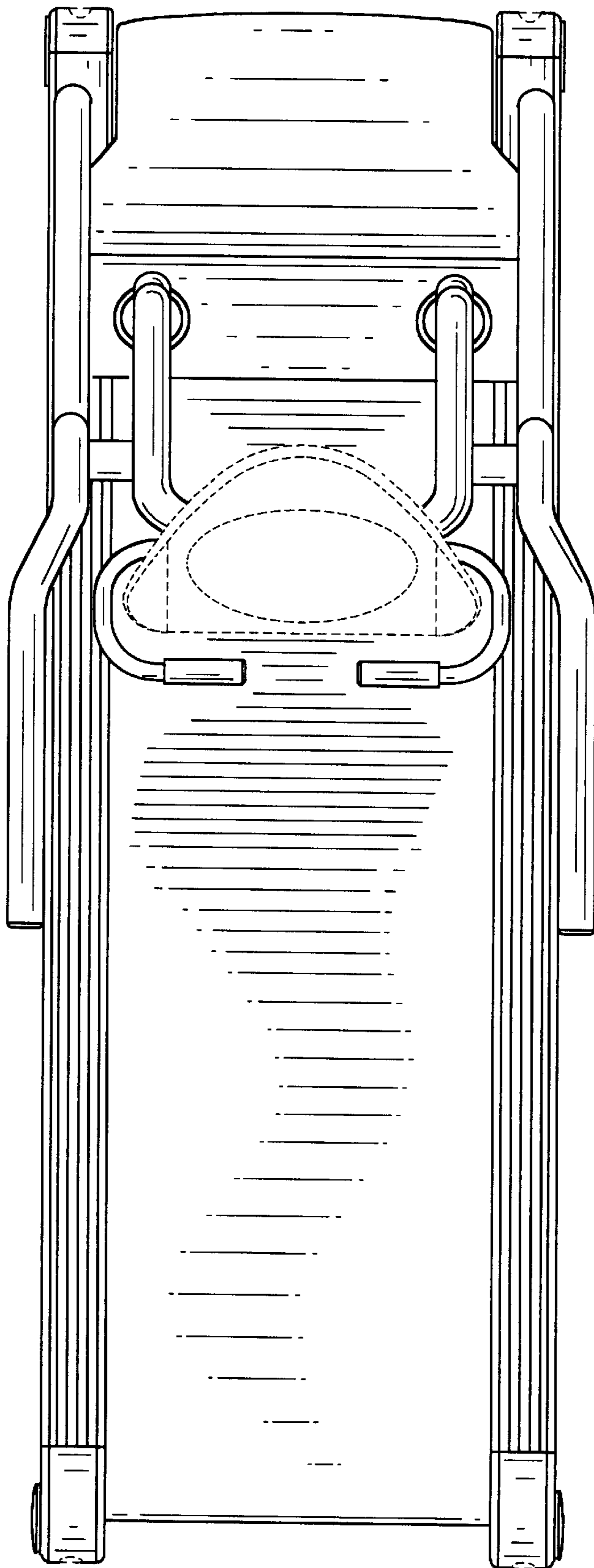


Fig. 3

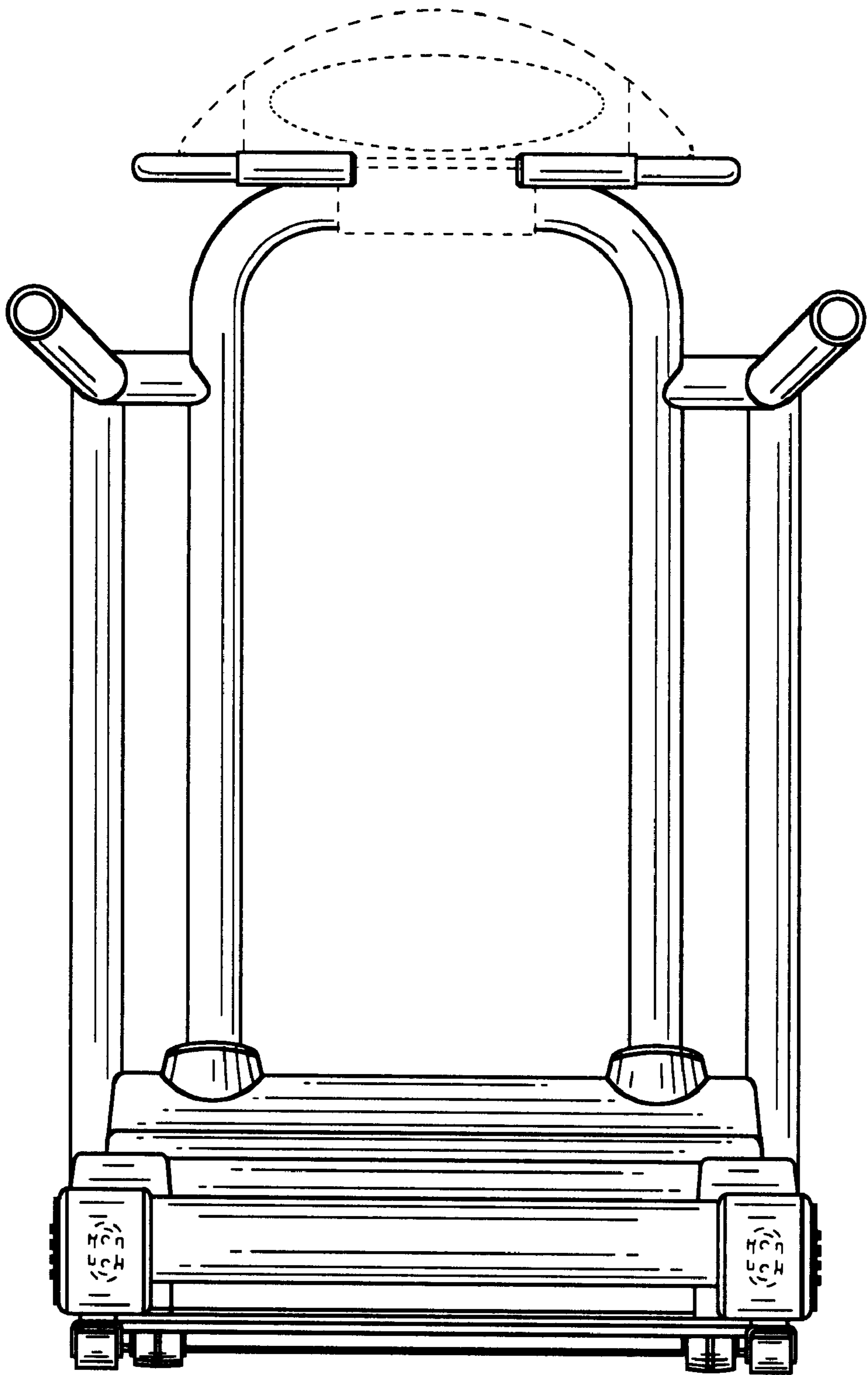


Fig. 4

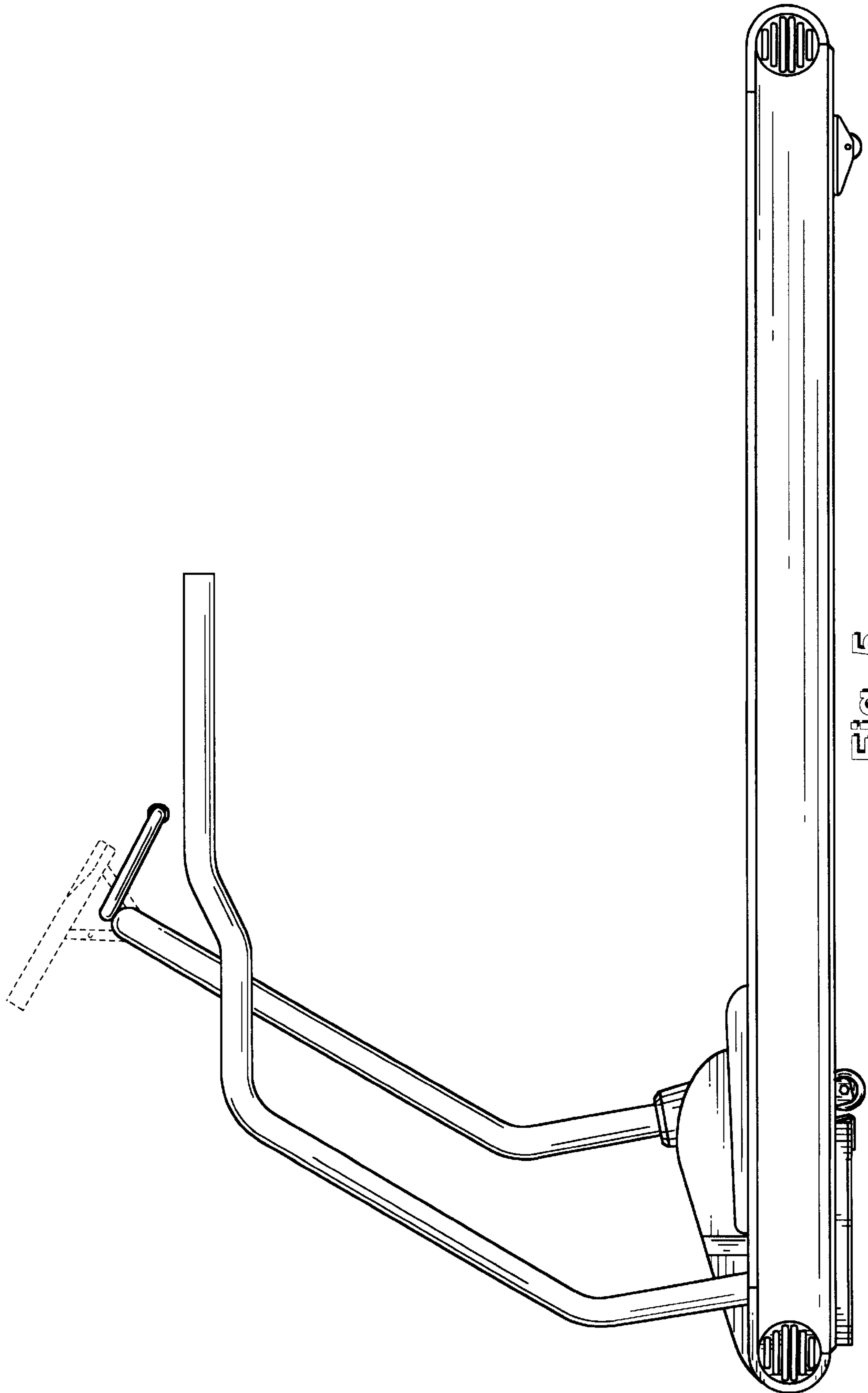


Fig. 5

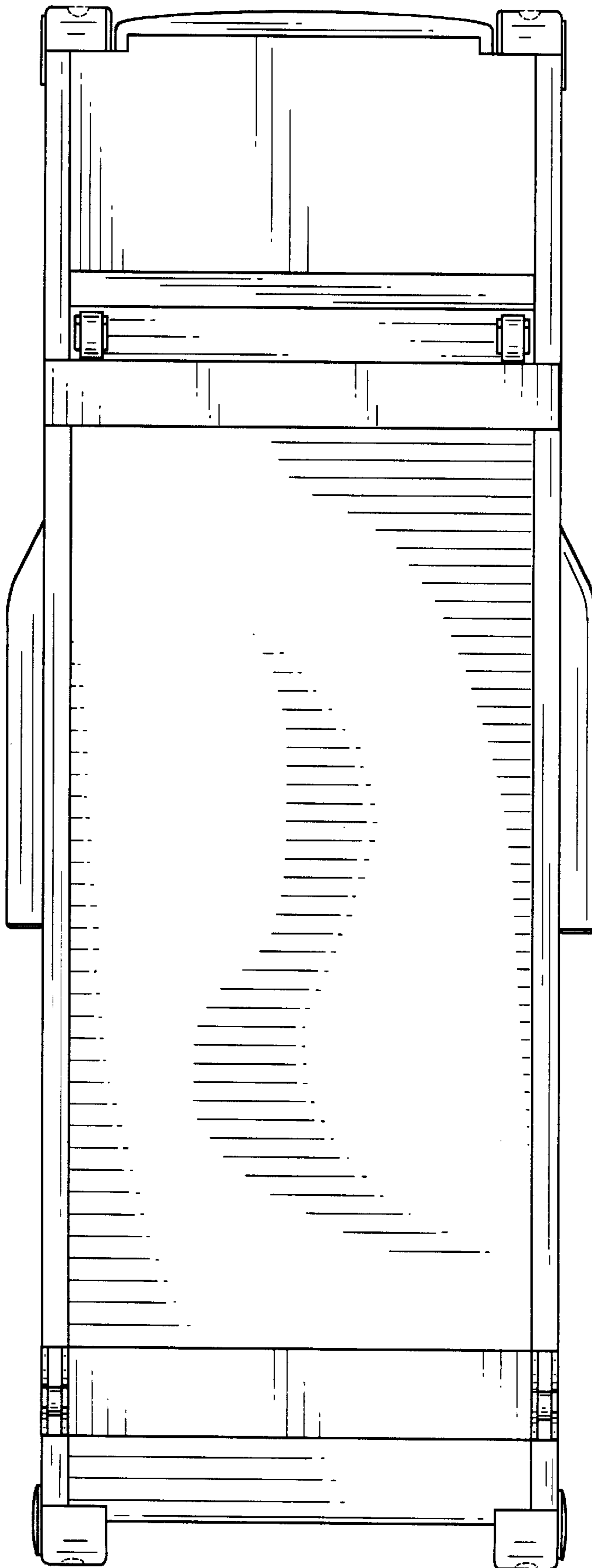


Fig. 6

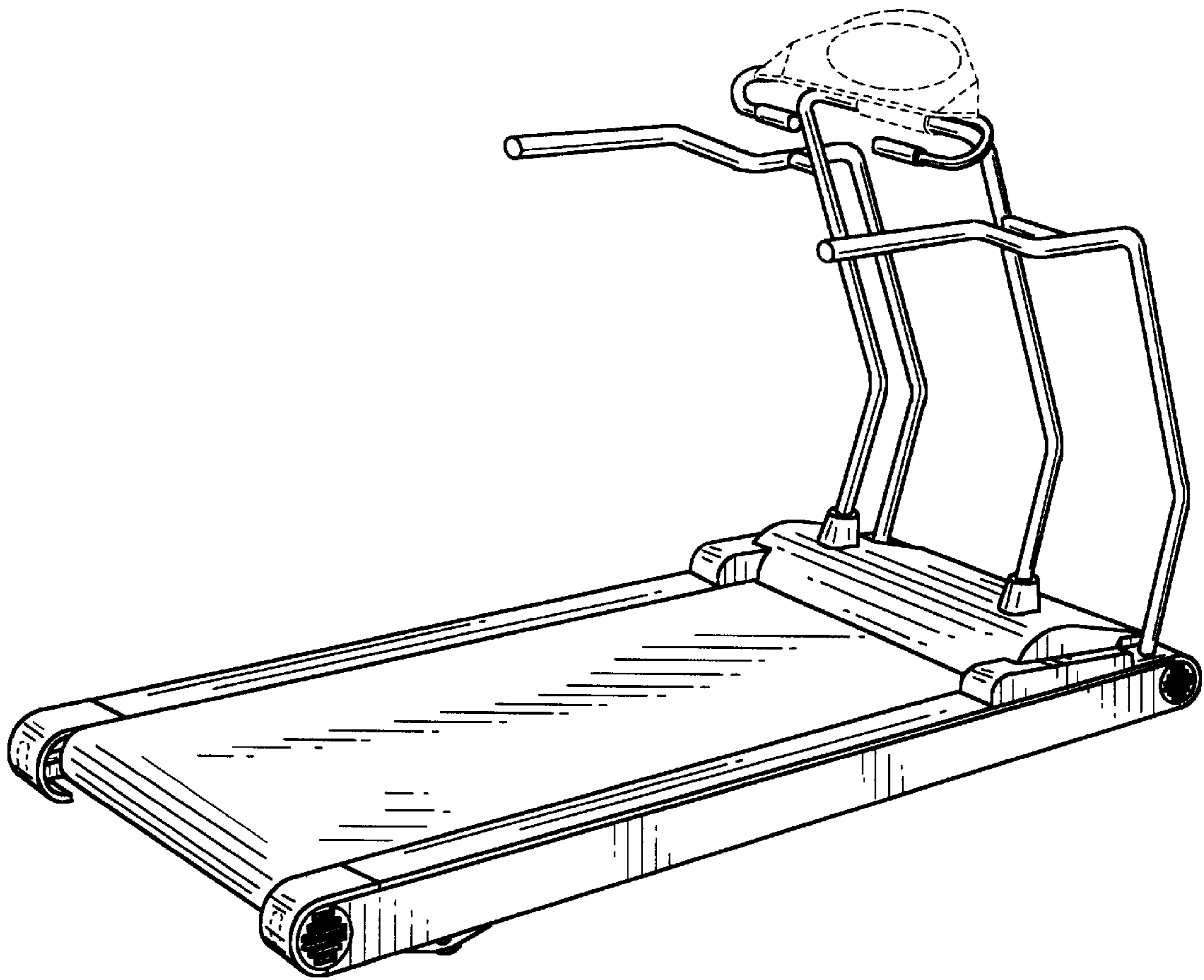


Fig. 7