



US00D437888S

(12) **United States Design Patent** (10) **Patent No.:** **US D437,888 S**
Briggl et al. (45) **Date of Patent:** **** Feb. 20, 2001**

(54) **WRITING INSTRUMENT**

(75) Inventors: **Hariolf Briggl**, Boebingen (DE);
Siegfried Keil, Gross-Bieberau (DE)

(73) Assignee: **Merz & Krell GmbH & Co.**, Bross
Bieberau (DE)

(**) Term: **14 Years**

(21) Appl. No.: **29/082,490**

(22) Filed: **Jan. 23, 1998**

(30) **Foreign Application Priority Data**

Jul. 25, 1997 (DE) M 97 07 041

(51) **LOC (7) Cl.** **19-06**

(52) **U.S. Cl.** **D19/51; D19/43; D19/56;**
D19/57; D19/55

(58) **Field of Search** **D19/35, 36, 41-51,**
D19/53-58, 81-85; 401/196, 202, 221,
209, 243-247, 262

(56) **References Cited**

U.S. PATENT DOCUMENTS

- D. 150,320 * 7/1948 Starr D19/51
- D. 183,696 * 10/1958 Kahn D19/48
- D. 241,434 * 9/1976 Schenk D19/49
- D. 323,673 * 2/1992 Gomez D19/49
- D. 324,236 * 2/1992 Gomez D19/48
- D. 330,217 * 10/1992 Booker D19/43 X
- D. 353,621 * 12/1994 Chen D19/57
- D. 355,440 * 2/1995 Lin D19/51
- 2,147,561 * 2/1939 Sherlock D19/51 X
- 3,292,595 * 12/1966 Young 401/259

OTHER PUBLICATIONS

- Burger, Villingen-Schwenningen, Catalog of non-paginated spiral bound single leaflets Model Unica, Apr. 1993.
- Tombow, Scriptum special 1998 periodical brochure, Model Lucca, 1998, p. 103.
- Tombow, Single leaflet (black/white), Model Lucca. date unknown.
- Tombow, Catalog 97/98, distributed at Frankfurt Fair Jan. 1998, Model Lucca, 1997, 1998 p. 9.

* cited by examiner

Primary Examiner—Martie K. Holtje

(74) *Attorney, Agent, or Firm*—Duane, Morris & Heckscher

(57) **CLAIM**

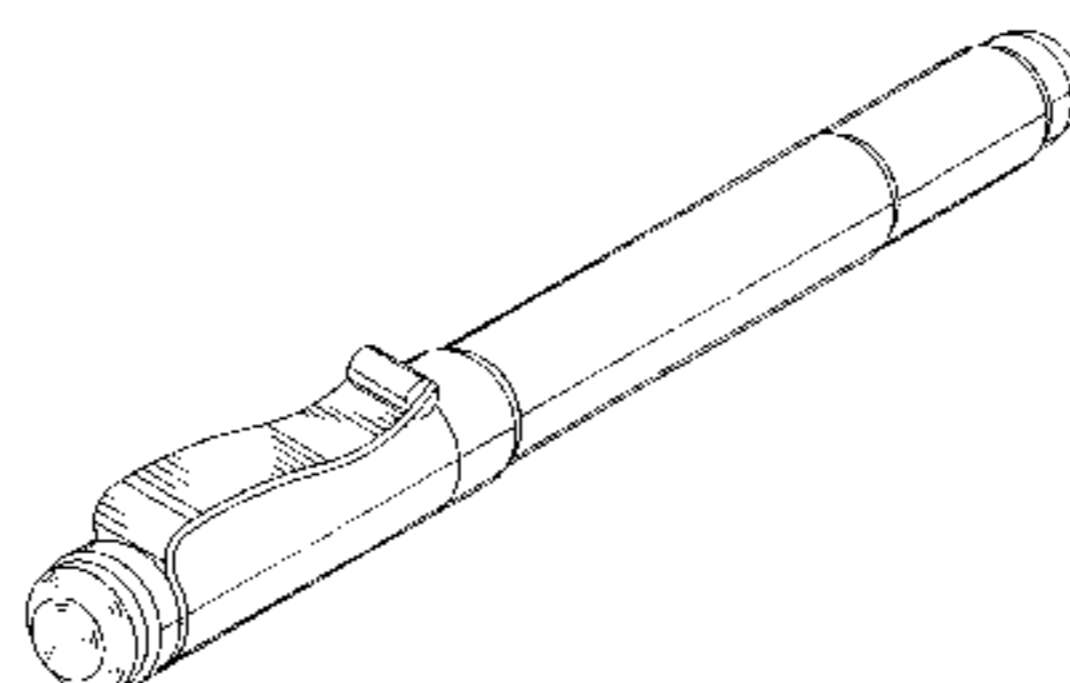
The ornamental design for a writing instrument, as shown and described.

DESCRIPTION

FIG. 1 is a front elevational view of a writing instrument showing my new design;

FIG. 2 is a right side elevational view thereof;
 FIG. 3 is a left side elevational view thereof;
 FIG. 4 is a rear elevational view thereof;
 FIG. 5 is a top plan view thereof;
 FIG. 6 is a bottom plan view thereof;
 FIG. 7 is a perspective view obliquely from the front and below thereof;
 FIG. 8 is a perspective view obliquely from the rear and above thereof;
 FIG. 9 is a front elevational view of a second embodiment of my design of FIG. 1;
 FIG. 10 is a right side elevational view thereof;
 FIG. 11 is a left side elevational view thereof;
 FIG. 12 is a rear elevational view thereof;
 FIG. 13 is a top plan view thereof;
 FIG. 14 is a bottom plan view thereof;
 FIG. 15 is a perspective view obliquely from the front and below thereof;
 FIG. 16 is a perspective view obliquely from the rear and above thereof;
 FIG. 17 is a front elevational view of the body of the writing instrument of FIG. 1 shown with the cap member removed for clarity of illustration;
 FIG. 18 is a right side elevational view thereof;
 FIG. 19 is a left side elevational view thereof;
 FIG. 20 is a rear elevational view thereof;
 FIG. 21 is a top plan view thereof;
 FIG. 22 is a bottom plan view thereof;
 FIG. 23 is a perspective view obliquely from the front and below thereof;
 FIG. 24 is a perspective view obliquely from the rear and above thereof;
 FIG. 25 is a front elevational view of the cap member of the writing instrument of FIG. 1 shown separately for clarity of illustration;
 FIG. 26 is a right side elevational view thereof;
 FIG. 27 is a left side elevational view thereof;
 FIG. 28 is a rear elevational view thereof;
 FIG. 29 is a top plan view thereof;
 FIG. 30 is a bottom plan view thereof;
 FIG. 31 is a perspective view obliquely from the front and above thereof;
 FIG. 32 is a perspective view obliquely from the rear and below thereof;
 FIG. 33 is a front elevational view of the writing instrument of FIG. 1 shown in an exploded condition;
 FIG. 34 is a right side elevational view thereof;
 FIG. 35 is a left side elevational view thereof;
 FIG. 36 is a rear elevational view thereof;
 FIG. 37 is a top plan view thereof;
 FIG. 38 is a bottom plan view thereof;
 FIG. 39 is a perspective view obliquely from the front and below thereof; and,
 FIG. 40 is a perspective view obliquely from the rear and above thereof.

1 Claim, 9 Drawing Sheets



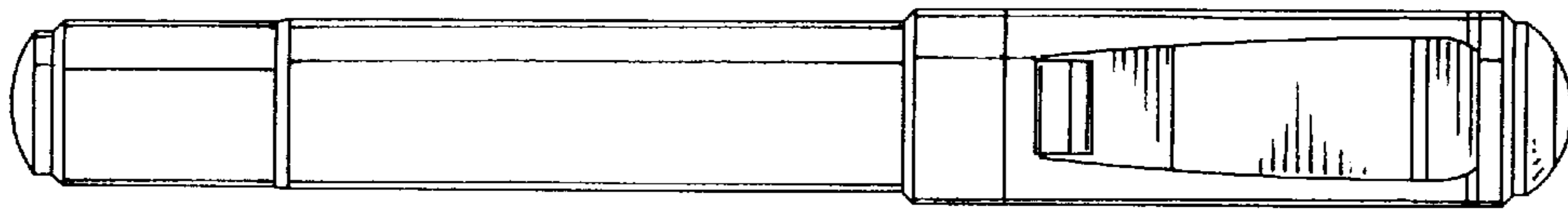


FIG. 1

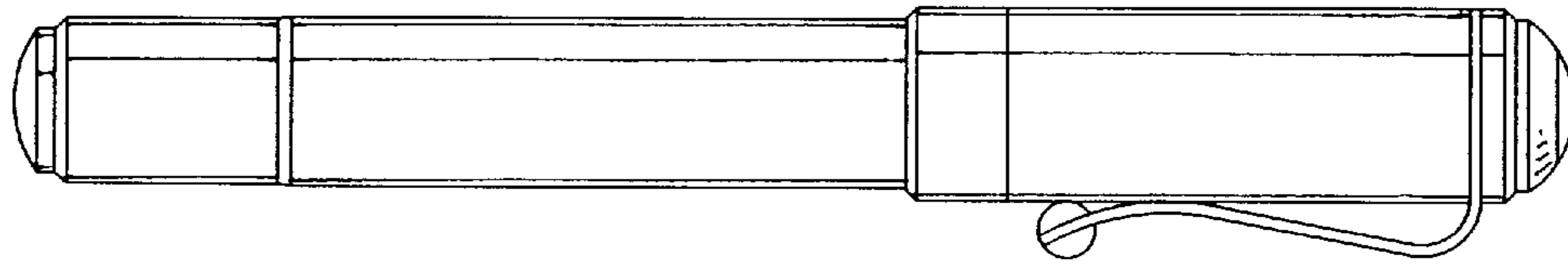


FIG. 2

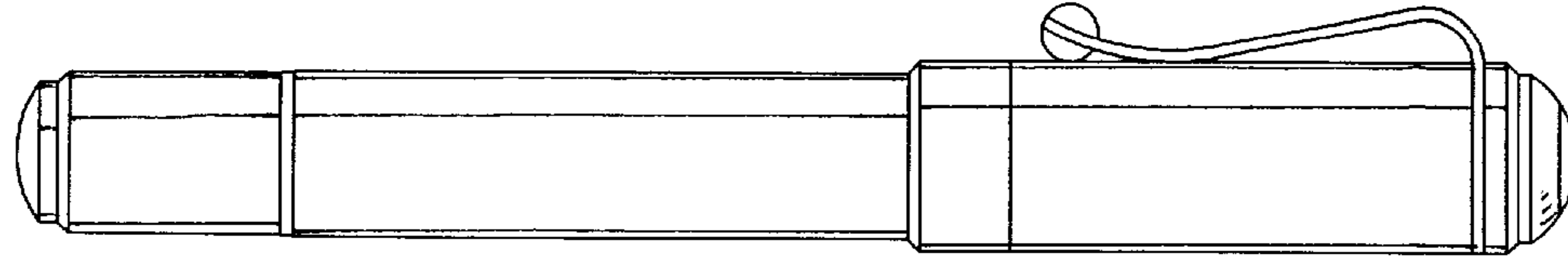


FIG. 3

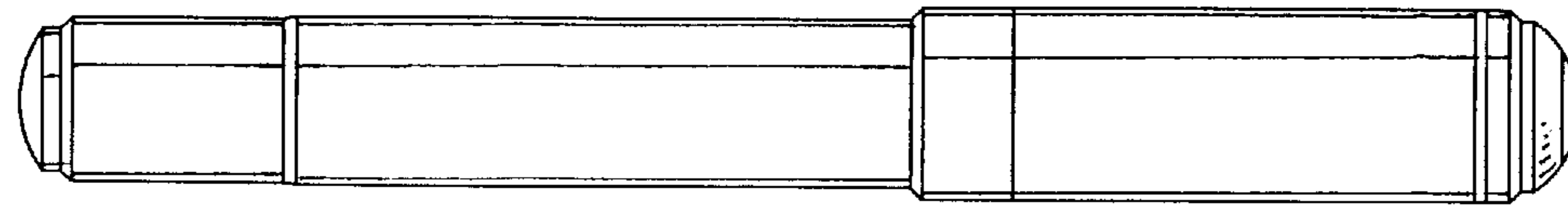


FIG. 4

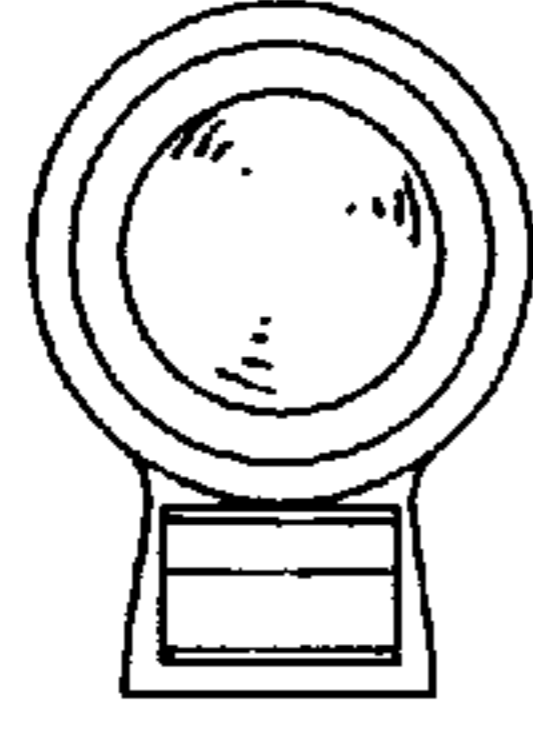


FIG. 5

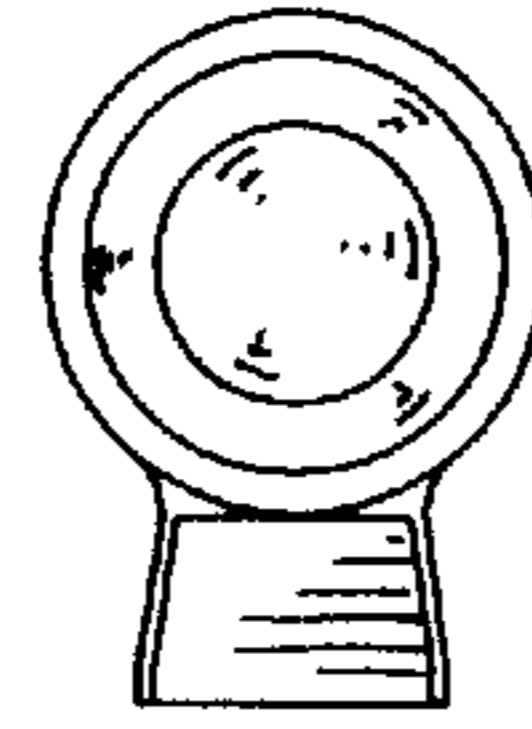


FIG. 6

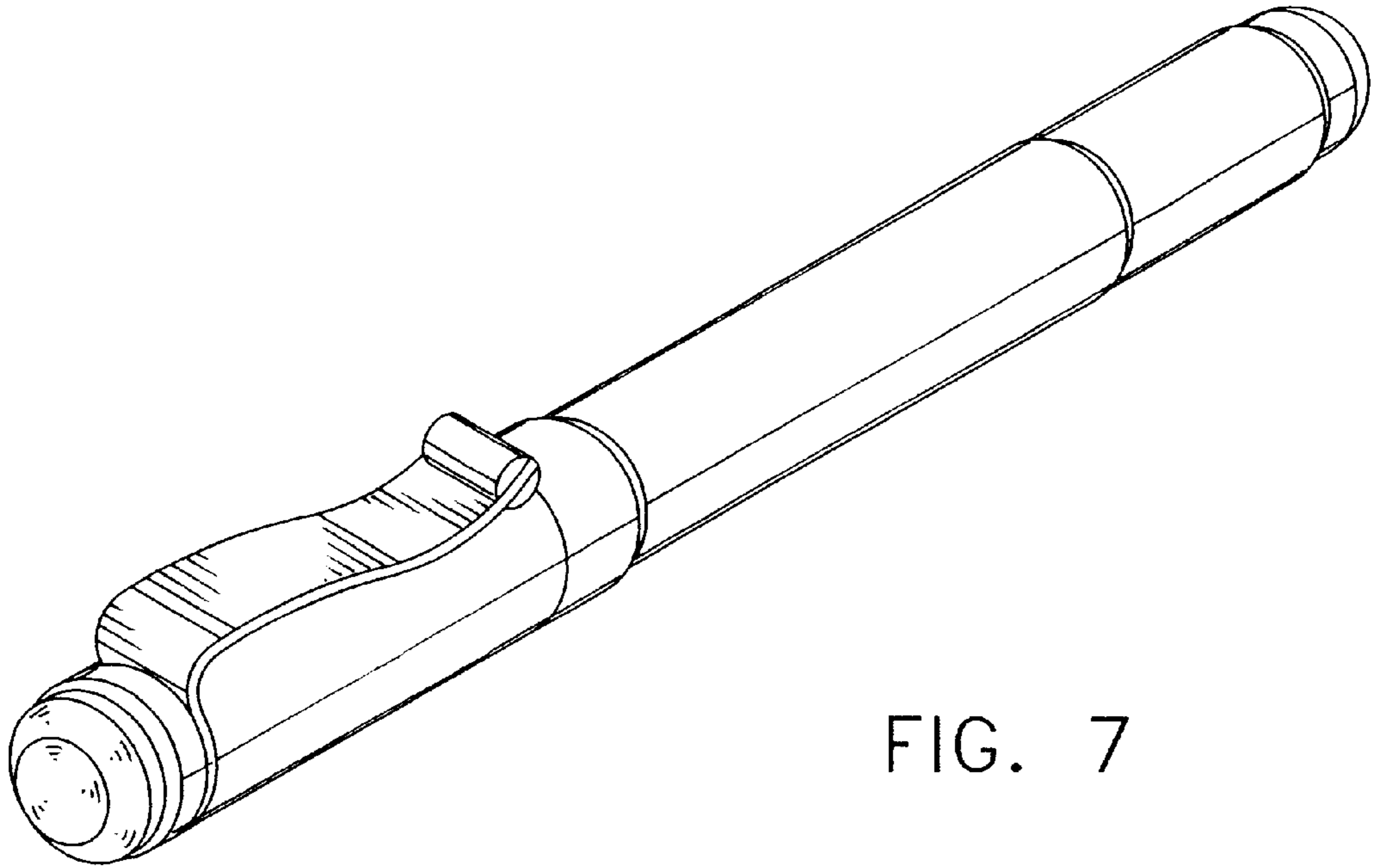


FIG. 7

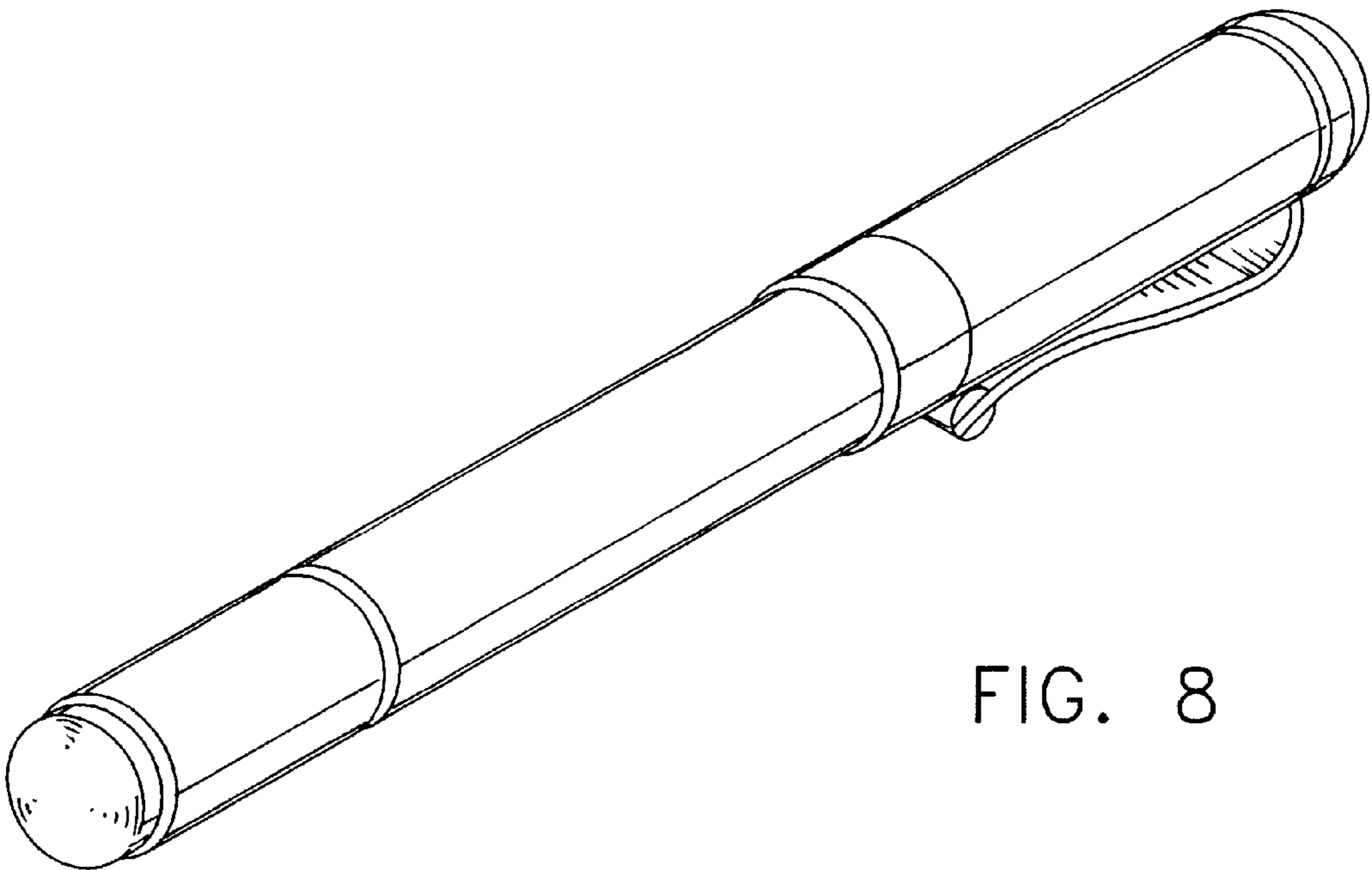


FIG. 8

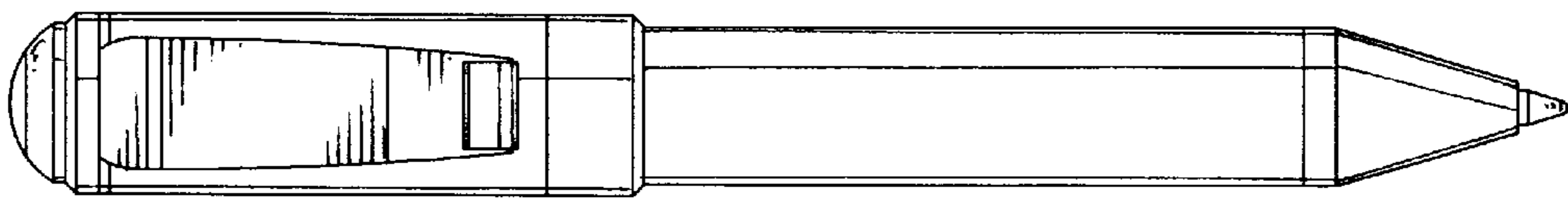


FIG. 9

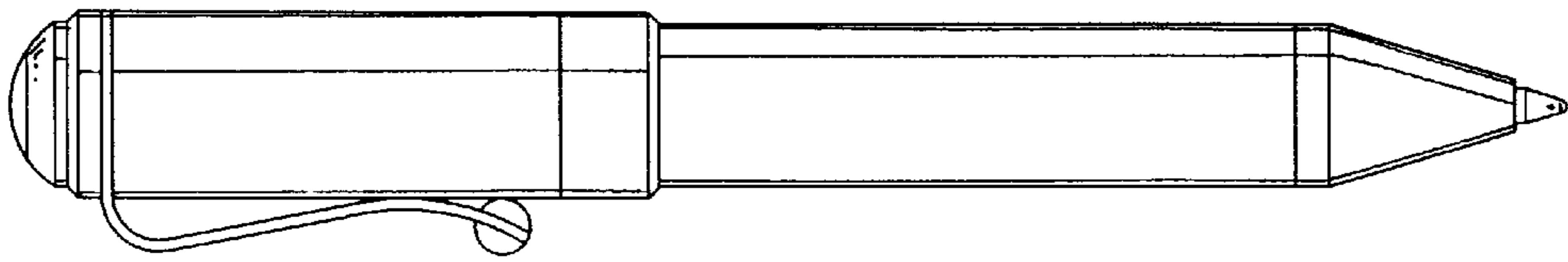


FIG. 10

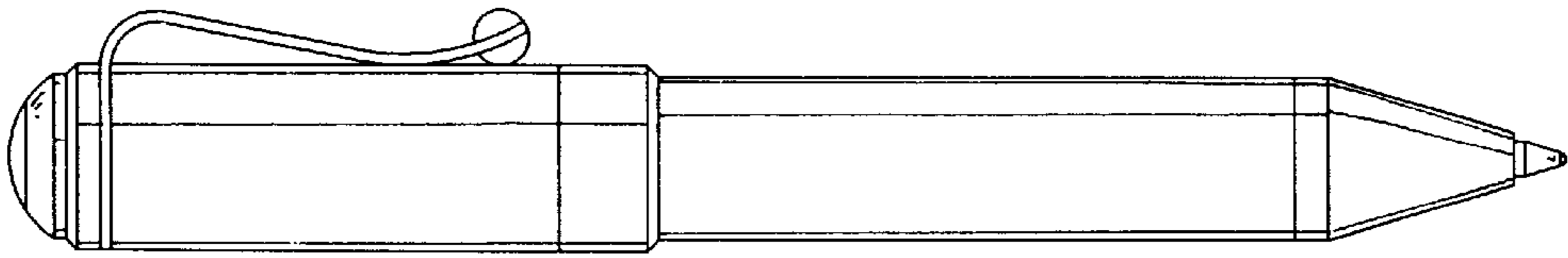


FIG. 11

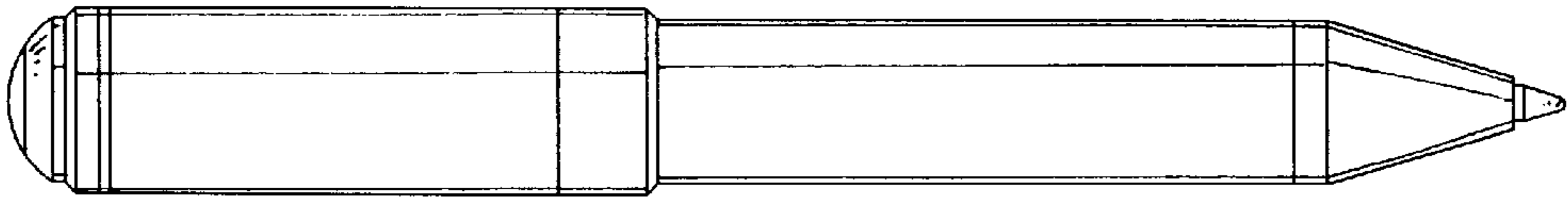


FIG. 12

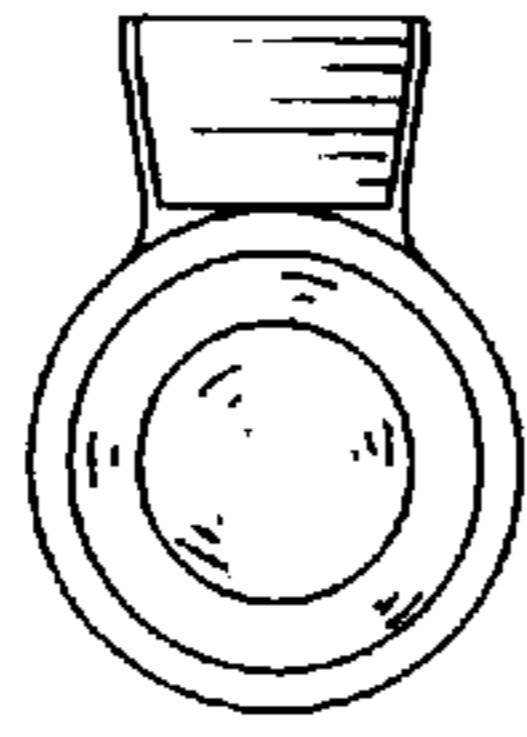


FIG. 13



FIG. 14

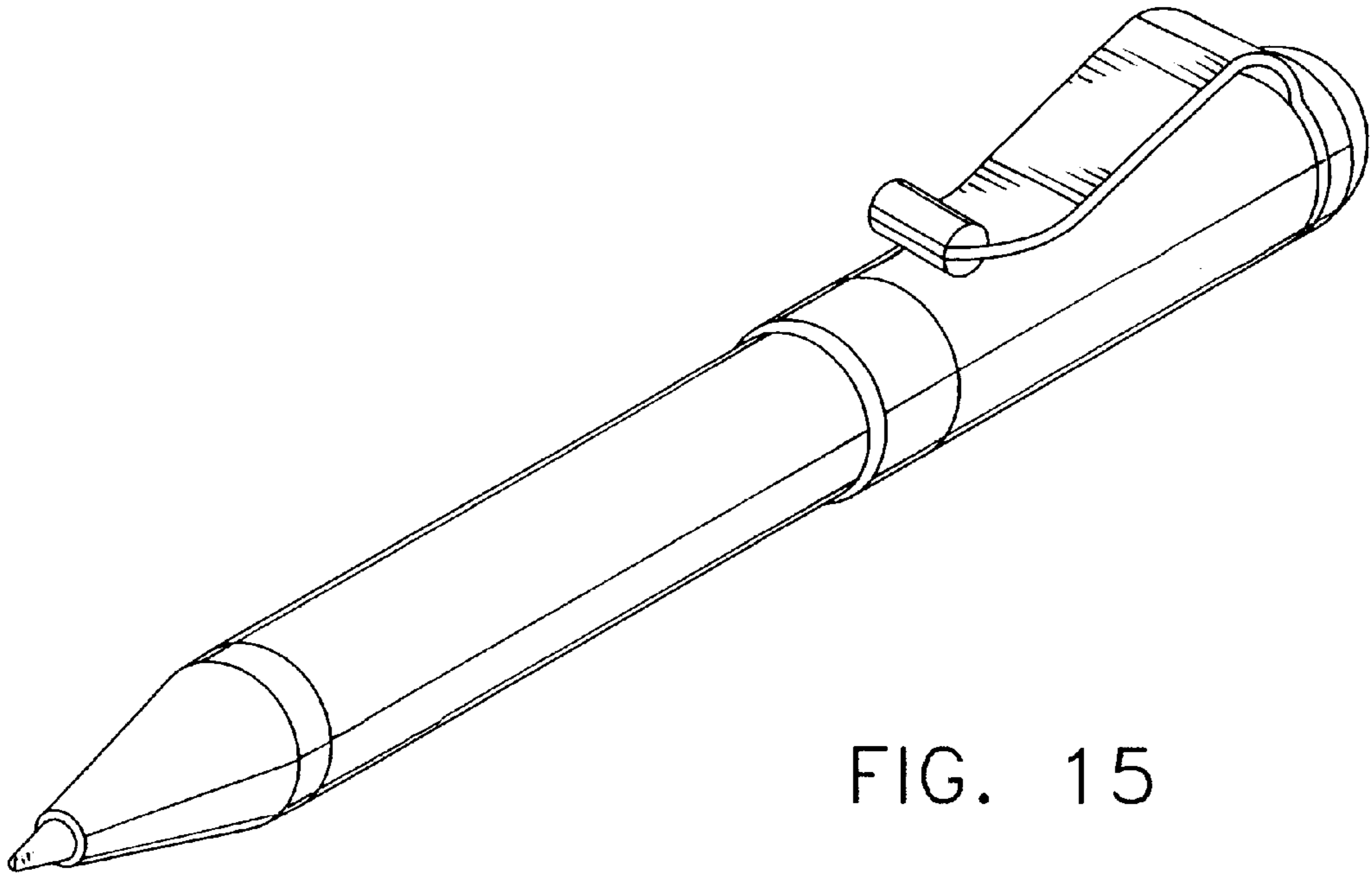


FIG. 15

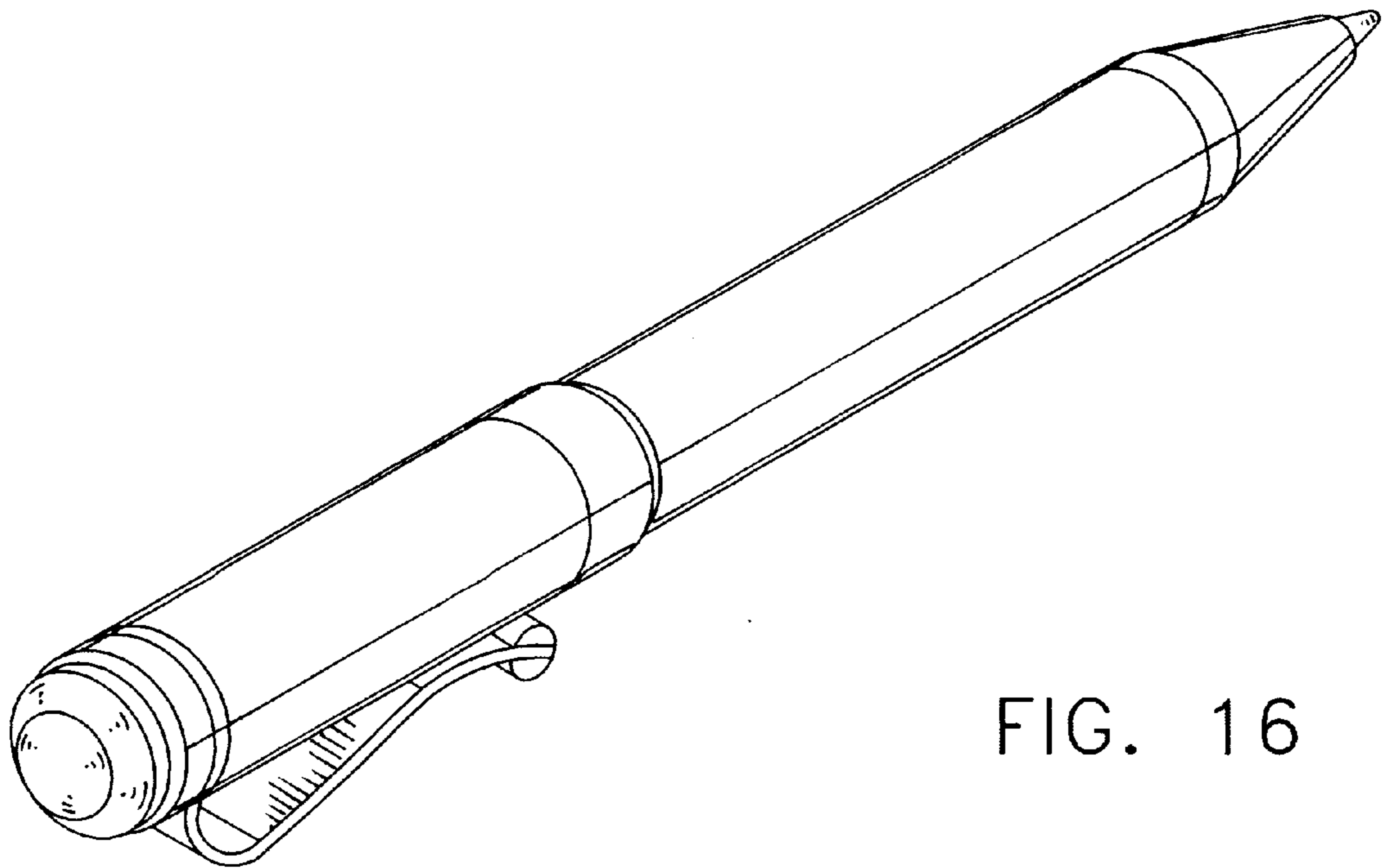


FIG. 16

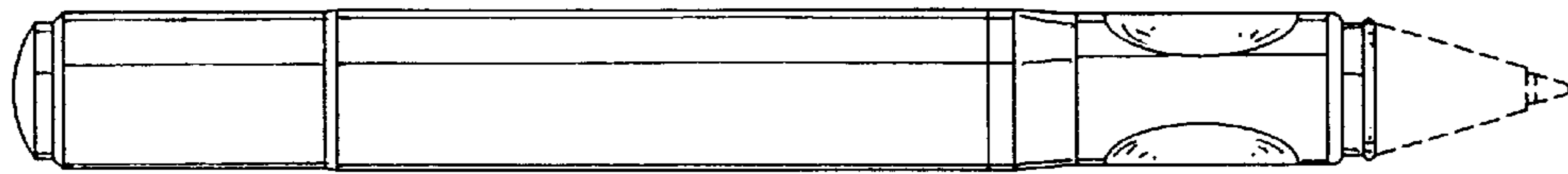


FIG. 17

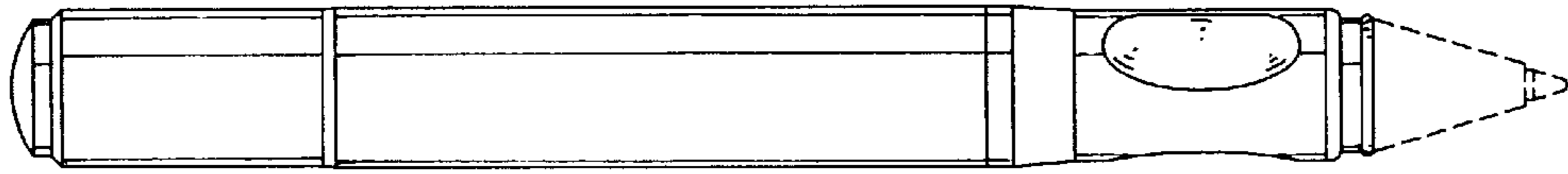


FIG. 18

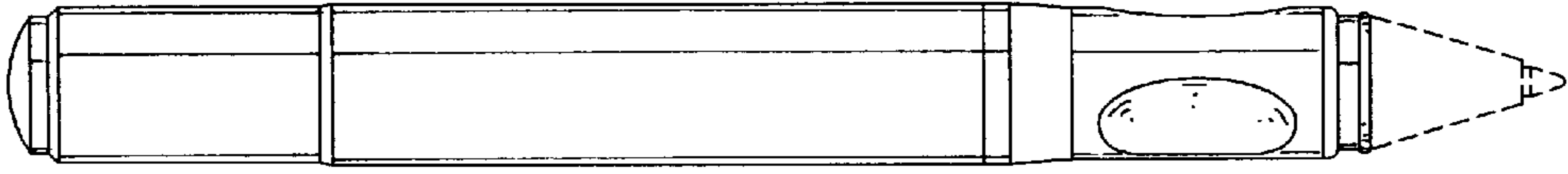


FIG. 19

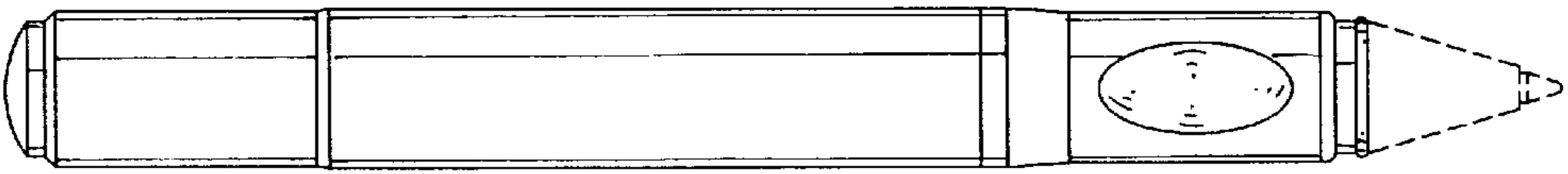


FIG. 20

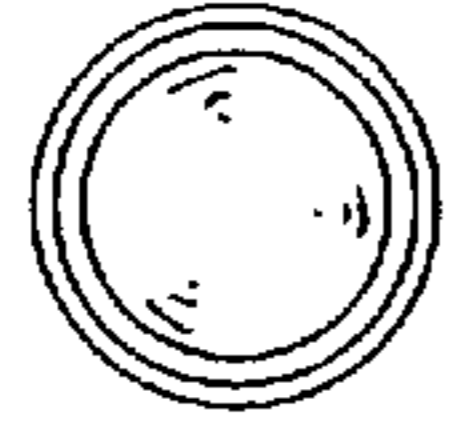


FIG. 21

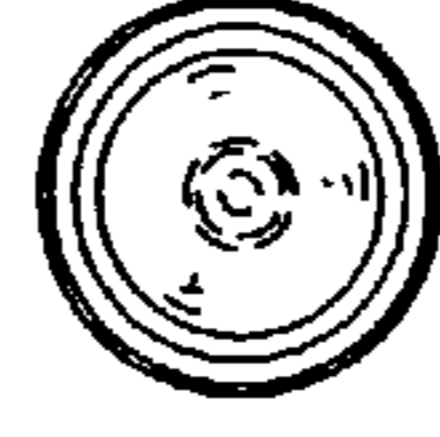


FIG. 22

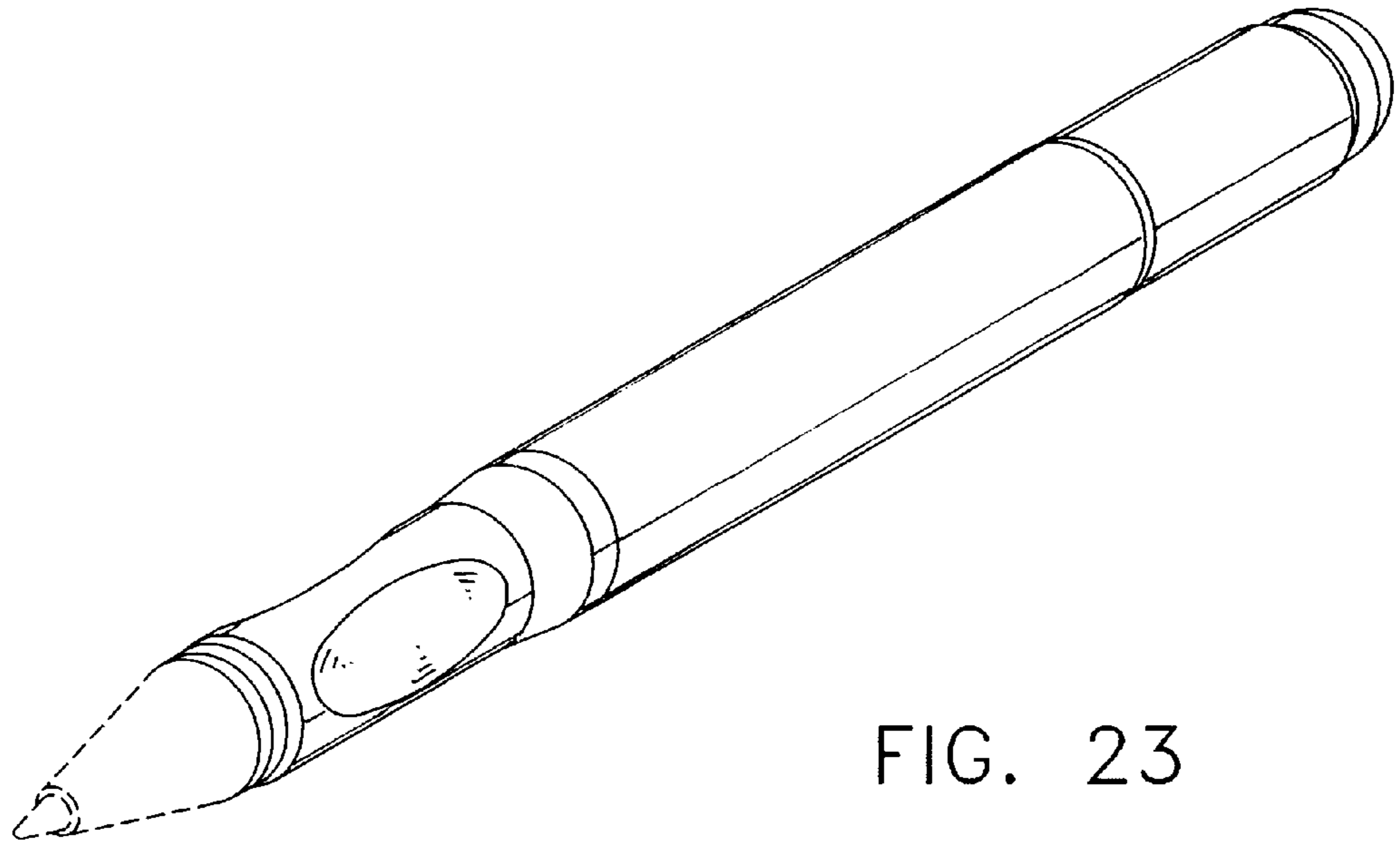


FIG. 23

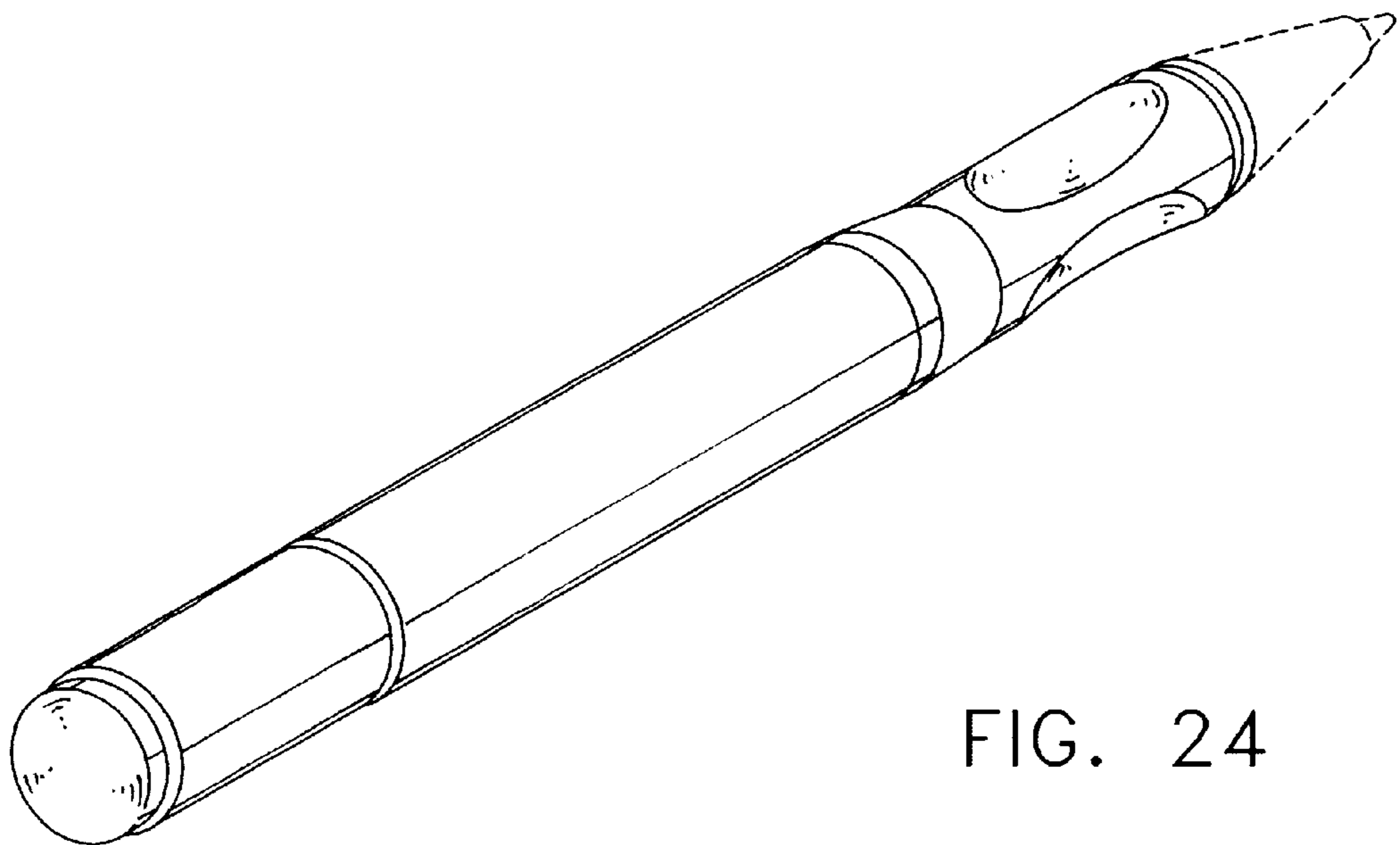


FIG. 24

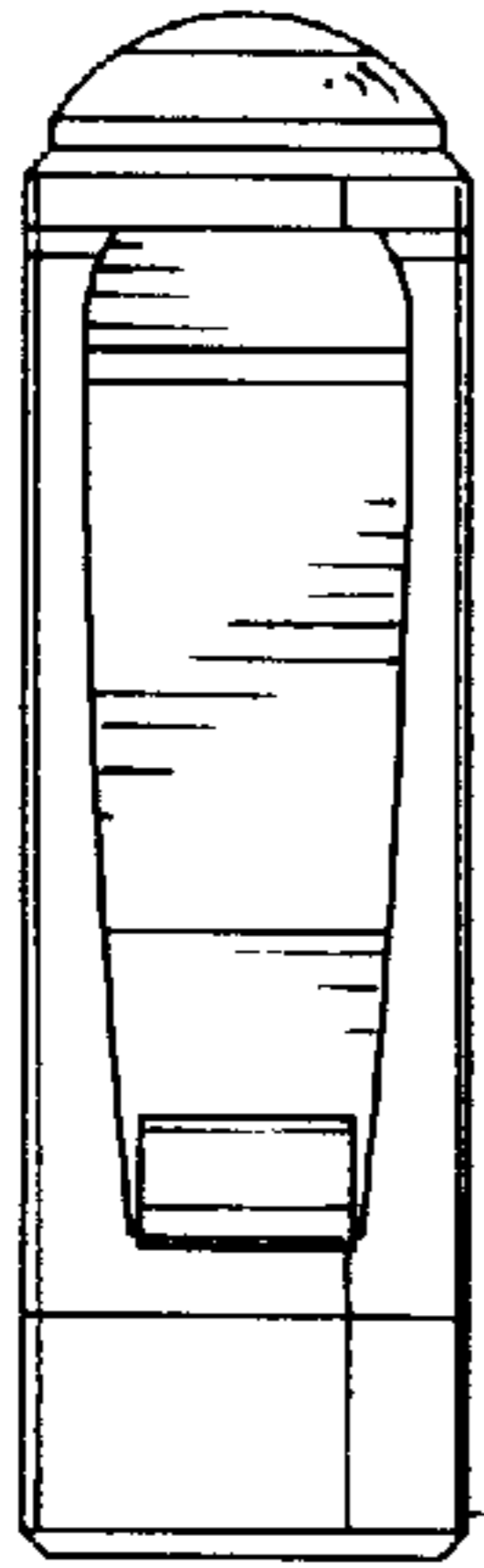


FIG. 25

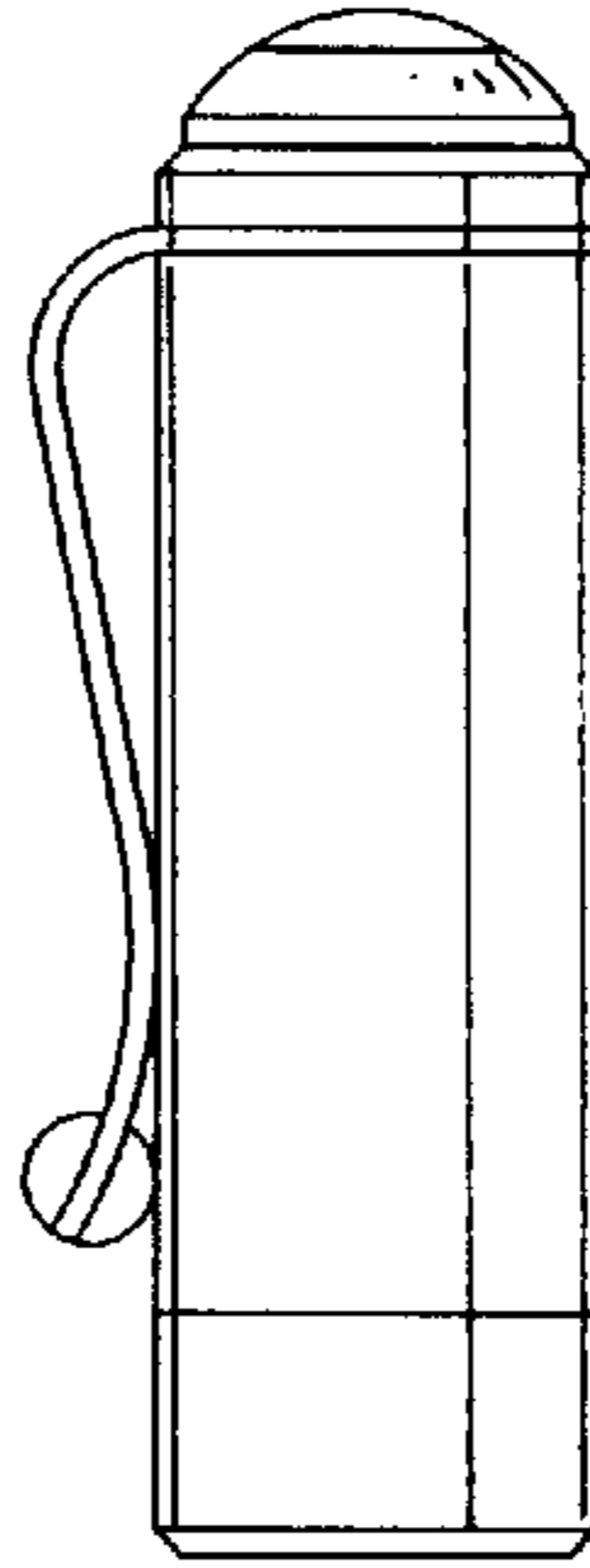


FIG. 26

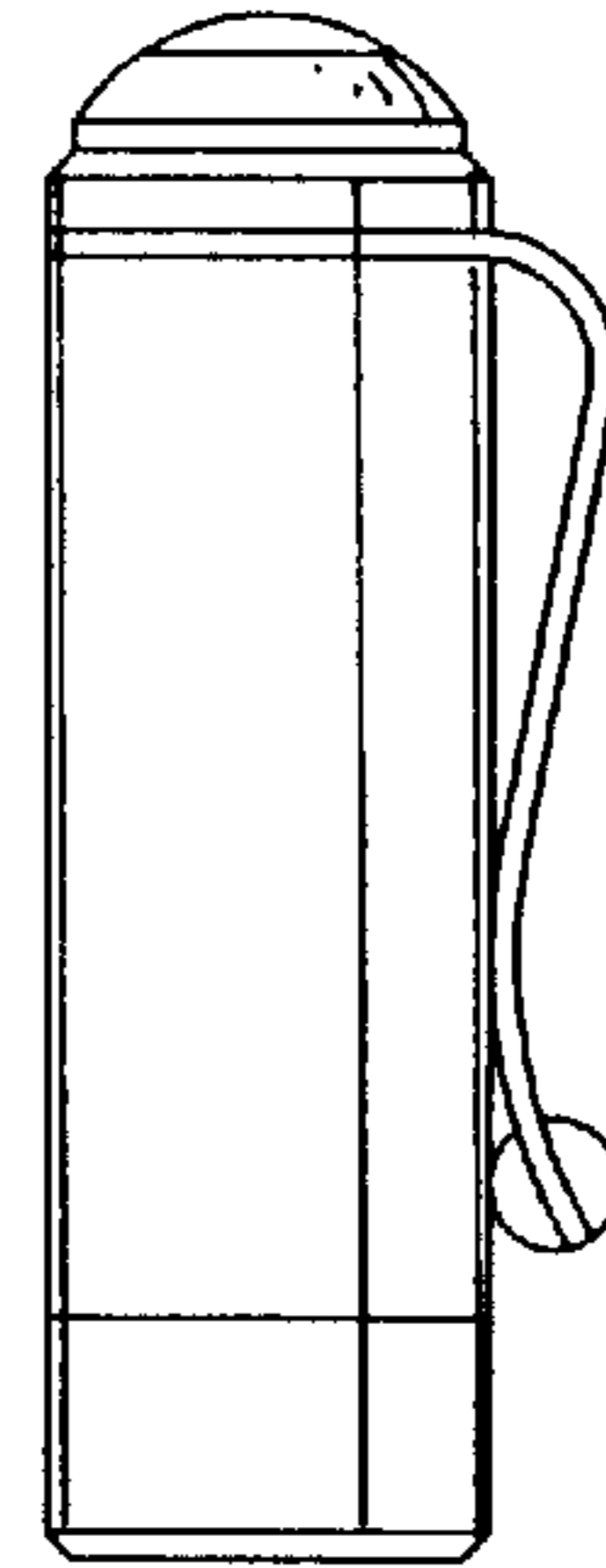


FIG. 27

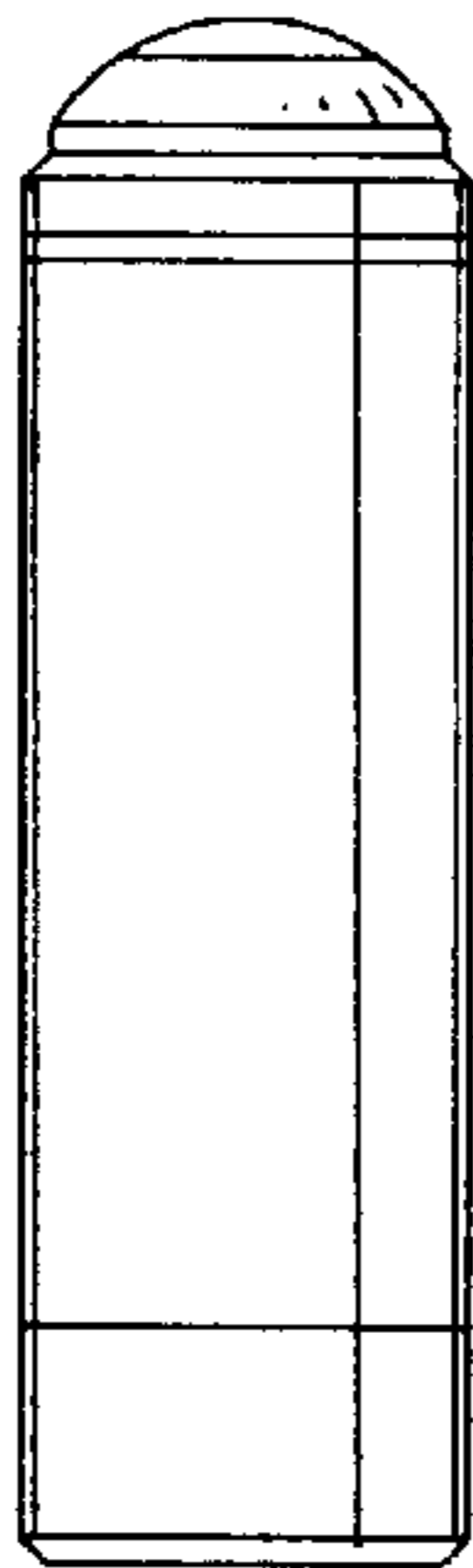


FIG. 28

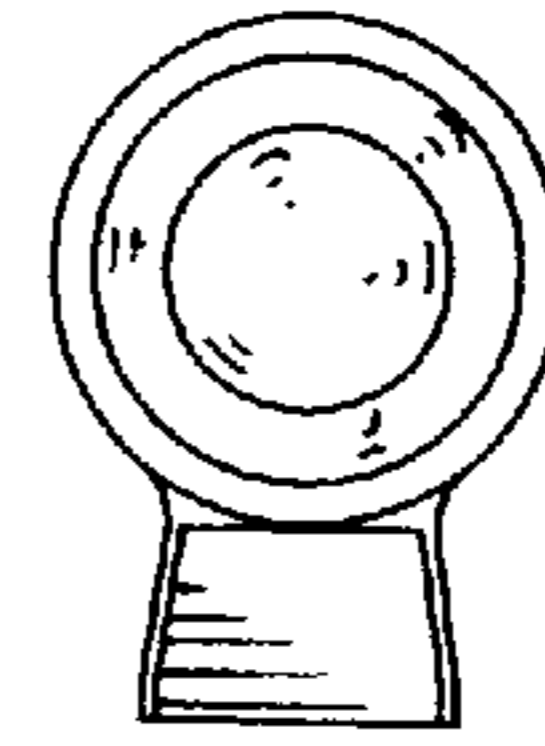


FIG. 29

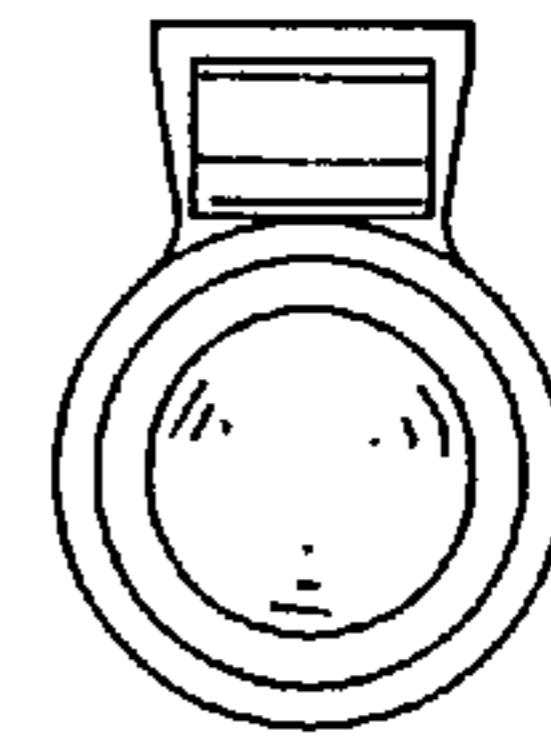


FIG. 30

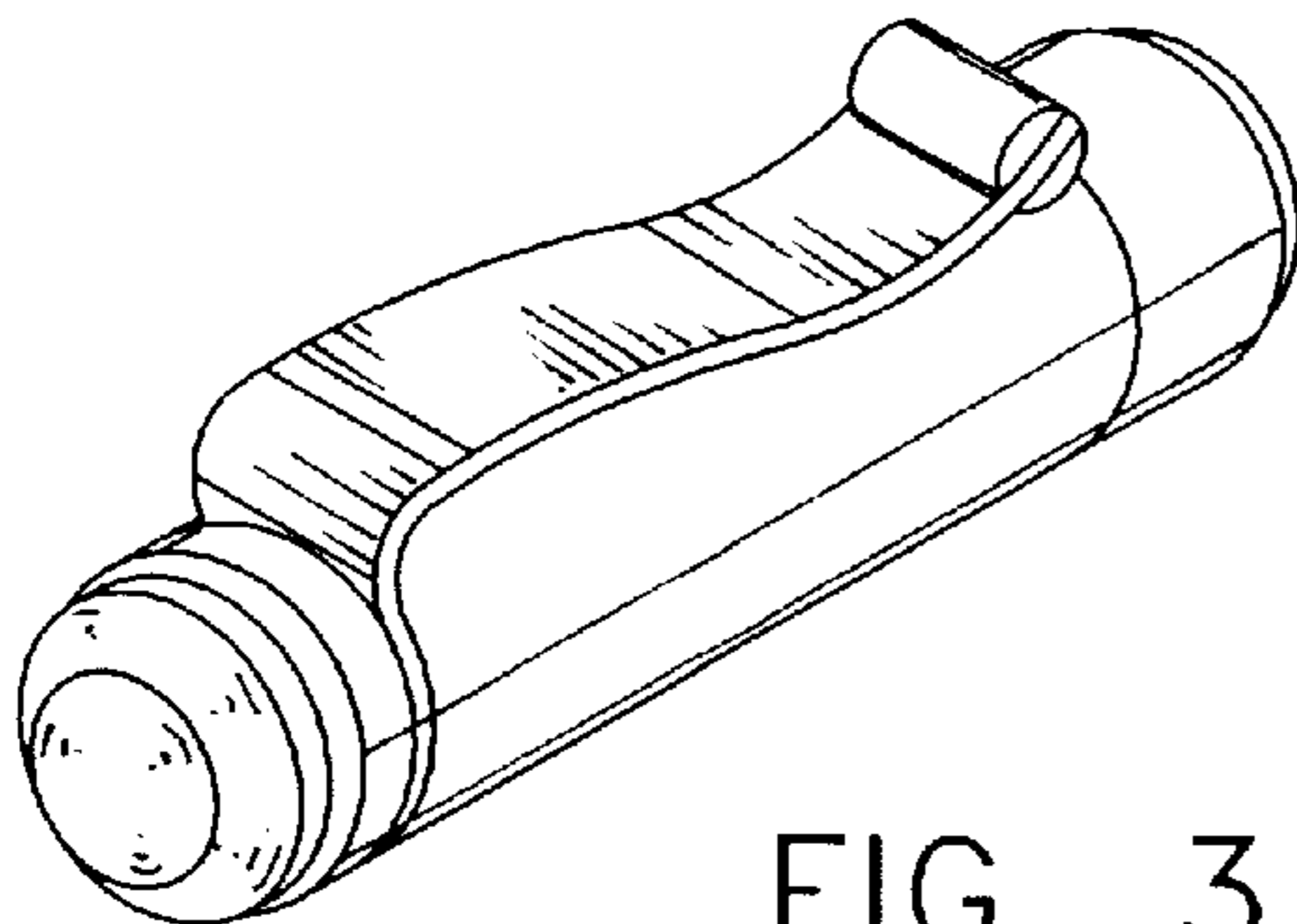


FIG. 31

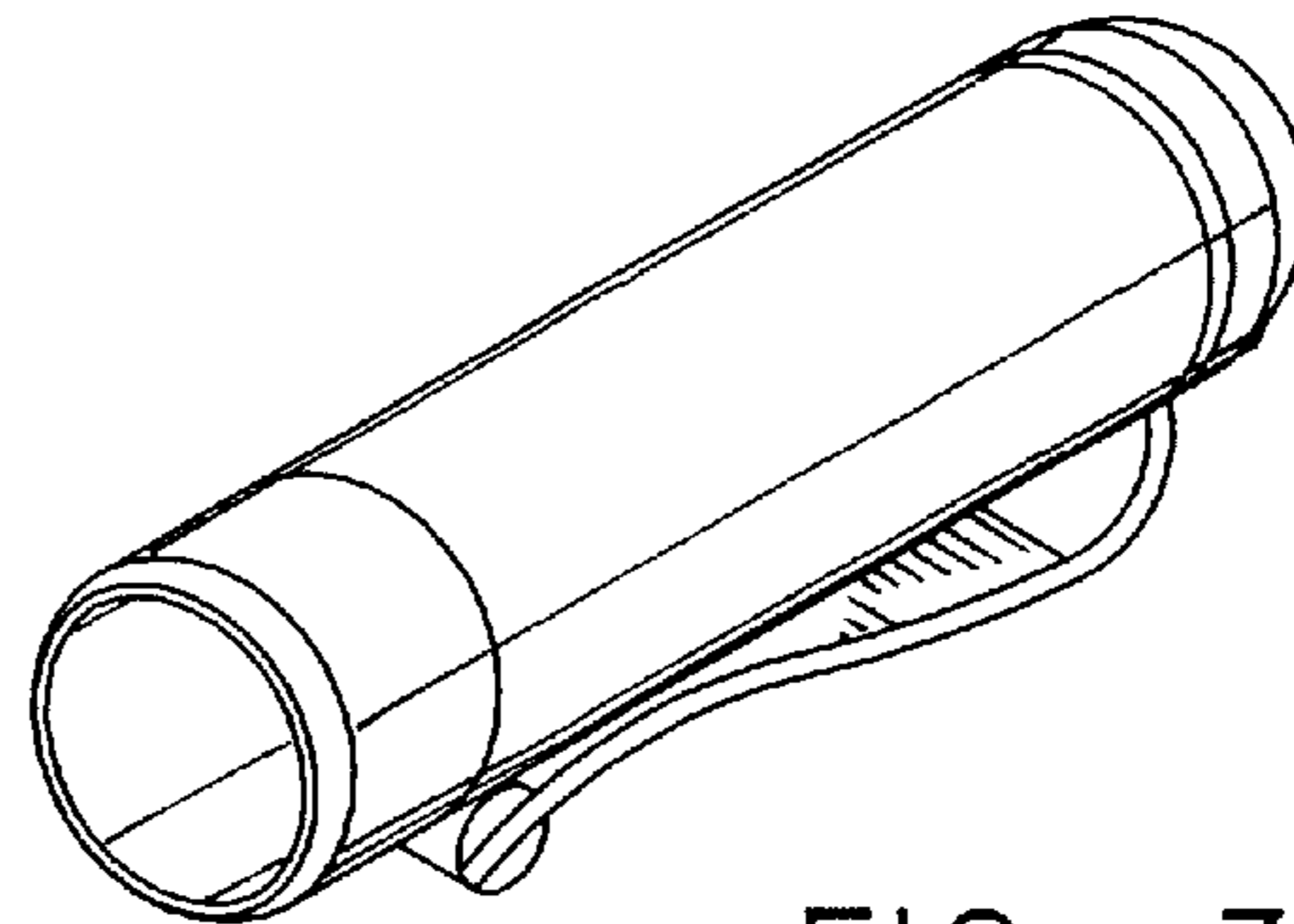


FIG. 32

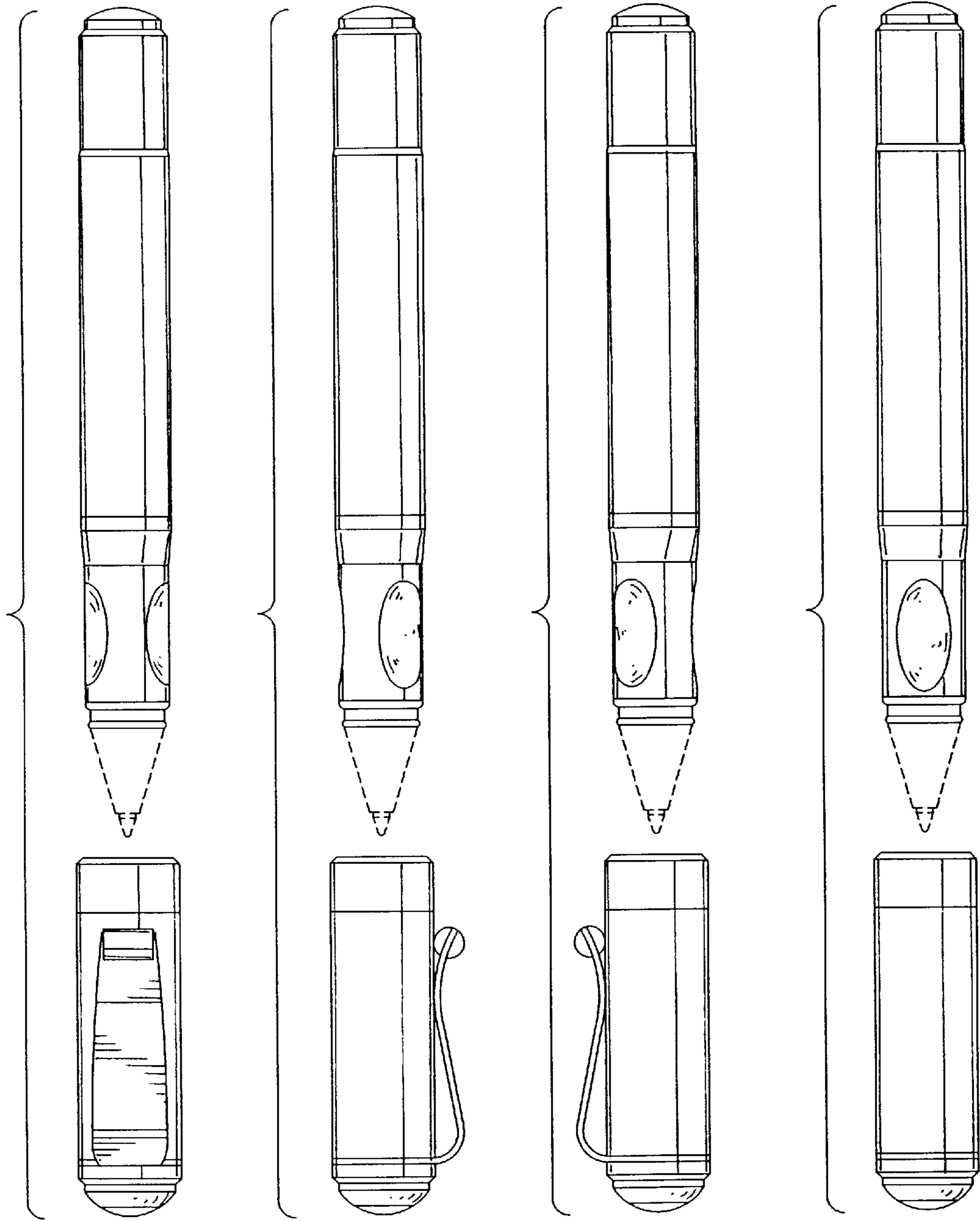


FIG. 33

FIG. 34

FIG. 35

FIG. 36

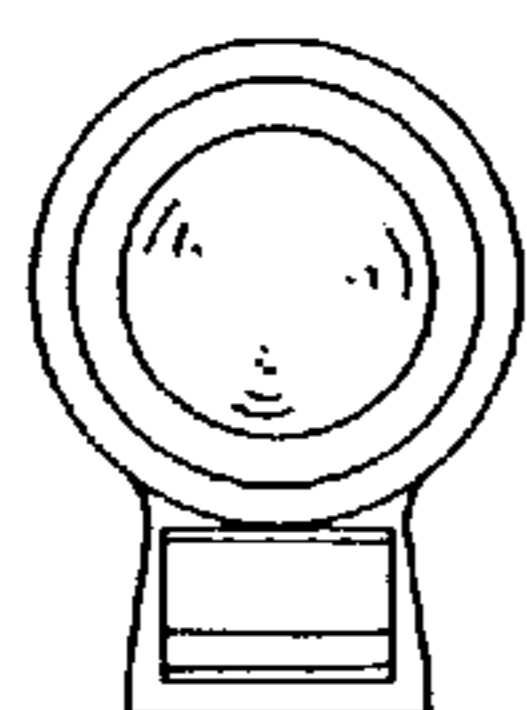


FIG. 37

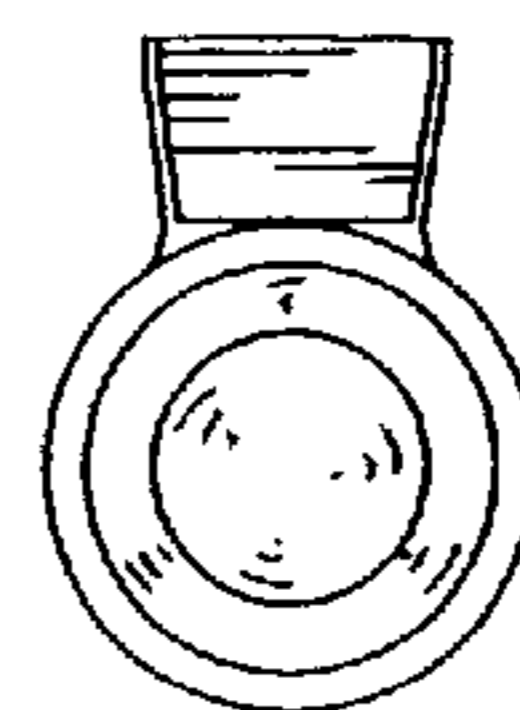
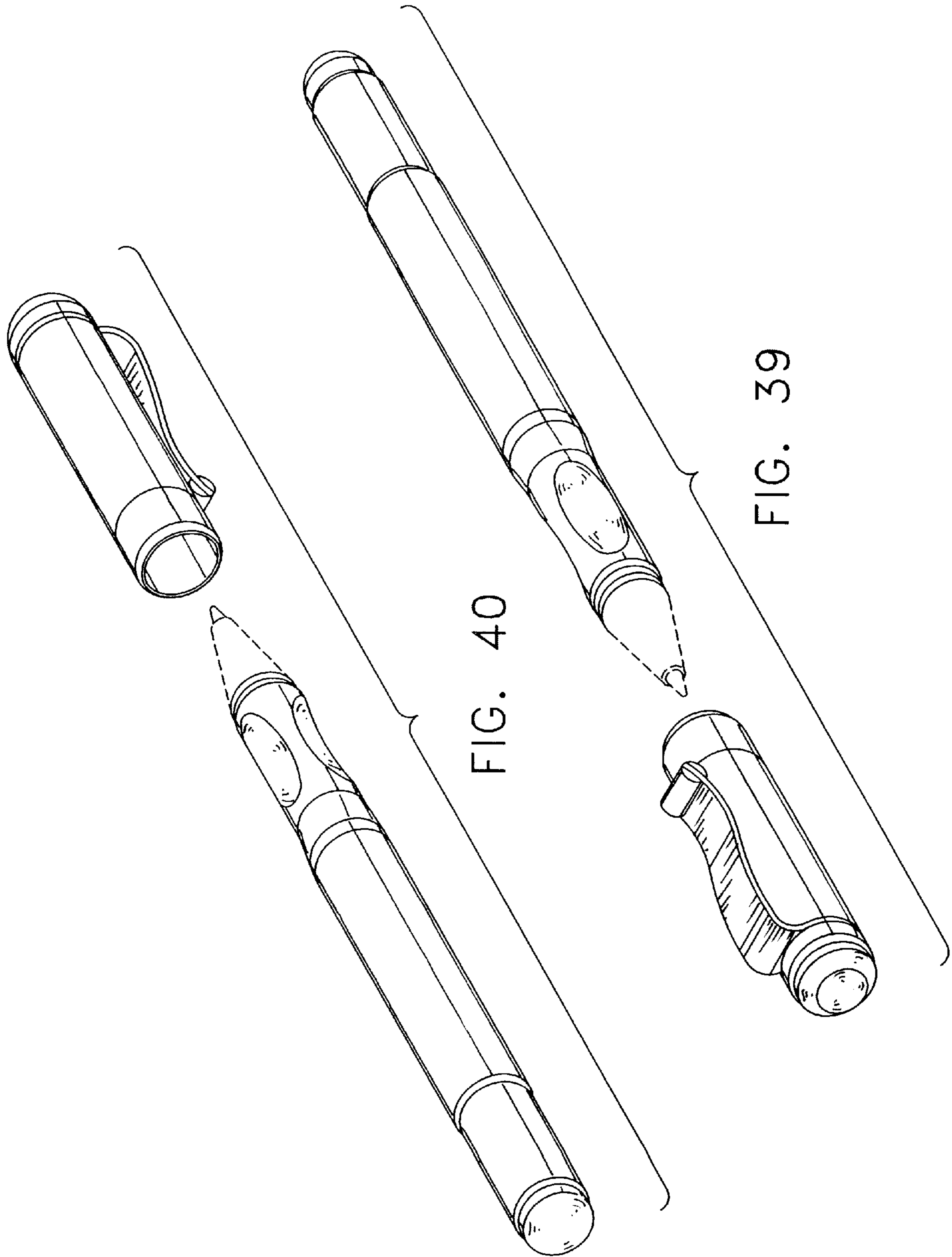


FIG. 38



UNITED STATES PATENT AND TRADEMARK OFFICE
CERTIFICATE OF CORRECTION

PATENT NO. : Des 437,888 S
DATED : February 20, 2001
INVENTOR(S) : Siegfried Keil

Page 1 of 1

It is certified that error appears in the above-identified patent and that said Letters Patent is hereby corrected as shown below:

Title page,

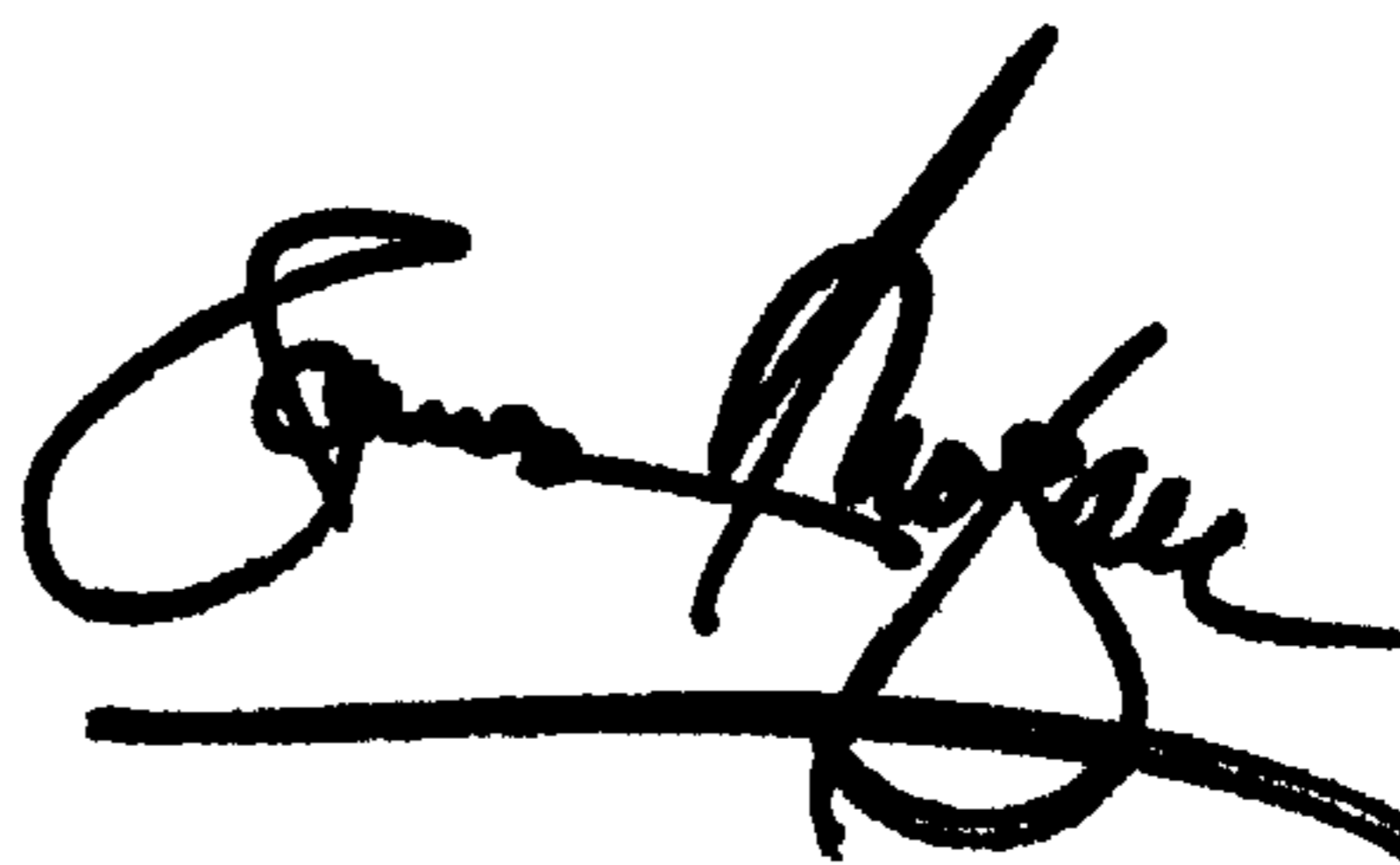
Item [12], delete "**Brigg et al.**" and insert therefor -- **Keil** --.

Item [75], Inventors, delete "**Hariolff Briggl, Boebingen (DE)**".

Signed and Sealed this

Sixteenth Day of July, 2002

Attest:

A handwritten signature in black ink, appearing to read "James E. Rogan", written over a horizontal line.

Attesting Officer

JAMES E. ROGAN
Director of the United States Patent and Trademark Office