



US00D437883S

(12) **United States Design Patent**
Mathieson

(10) **Patent No.:** **US D437,883 S**

(45) **Date of Patent:** **** Feb. 20, 2001**

(54) **BOOK**

(76) **Inventor:** **Roberta Mathieson**, 25 Eccleston Place, London (GB), SW1W 9NF

(**) **Term:** **14 Years**

(21) **Appl. No.:** **29/120,660**

(22) **Filed:** **Mar. 23, 2000**

(51) **LOC (7) Cl.** **19-04**

(52) **U.S. Cl.** **D19/28; D21/531; D19/29; D19/26; D10/31; D10/126**

(58) **Field of Search** 283/63.1; D19/26, D19/27, 28, 29, 32, 33; D21/531; D10/2, 31, 33, 34, 126; 281/15.1, 21.1, 28, 29, 30, 35, 32, 33, 38, 36, 44, 45, 3.1, 51; 224/174, 219, 267; 434/260, 304

(56) **References Cited**

U.S. PATENT DOCUMENTS

- D. 224,661 * 8/1972 Thornell D21/531
- D. 236,200 * 8/1975 Summers D19/28
- D. 303,989 * 10/1989 Korner D19/26

- D. 377,452 * 1/1997 Boone D10/40
- D. 417,236 * 11/1999 Burrus D19/28
- 2,501,902 * 3/1950 Howell 434/260
- 2,996,899 * 8/1961 Donle 224/174 X
- 3,561,153 * 2/1971 Harper D21/531 X
- 4,828,289 * 5/1989 Korner 281/15.1

* cited by examiner

Primary Examiner—Martie K. Holtje

(74) *Attorney, Agent, or Firm*—Pearne & Gordon LLP

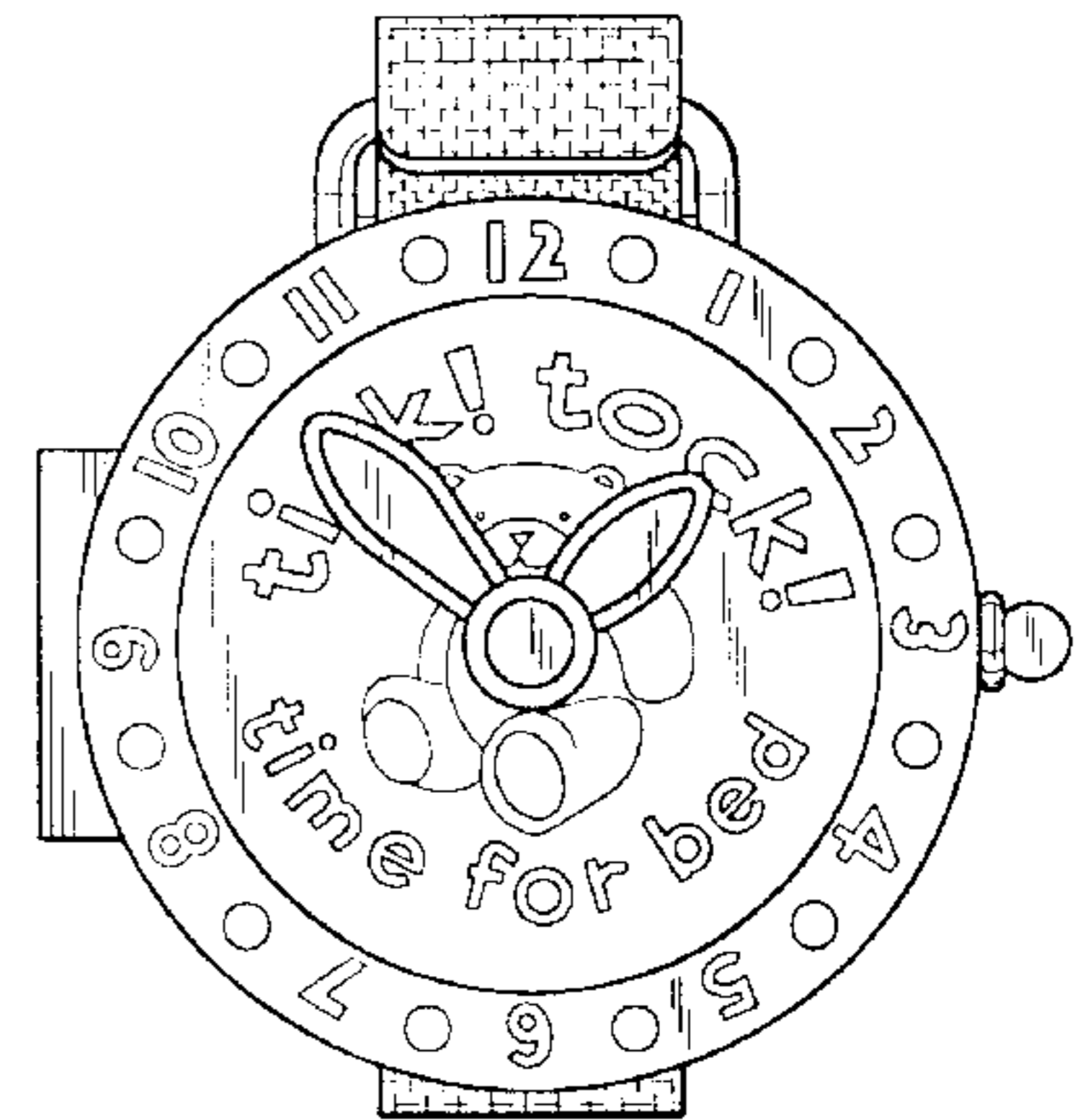
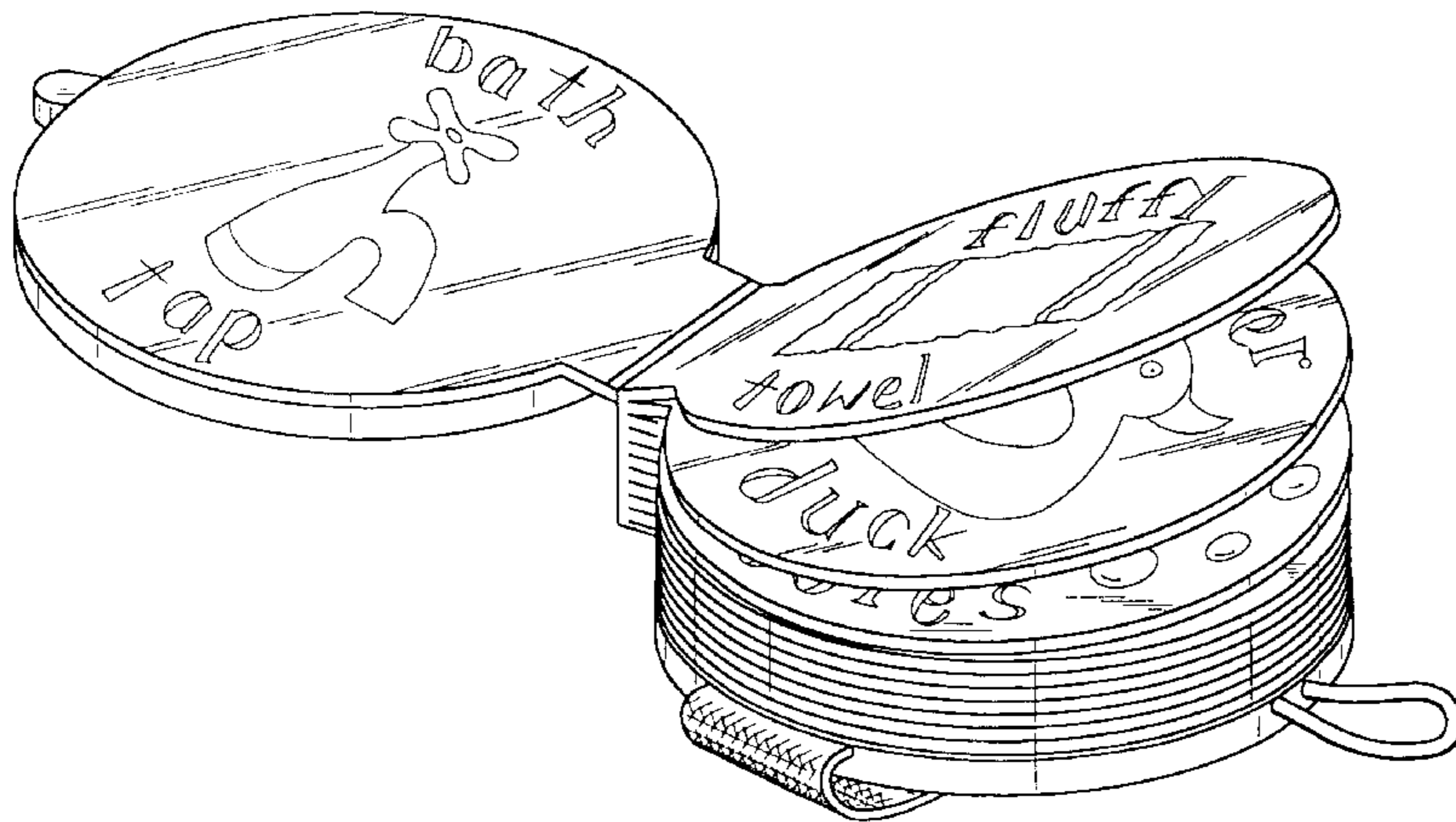
(57) **CLAIM**

The ornamental design for a book, as shown and described.

DESCRIPTION

FIG. 1 is a perspective view of a book showing my new design in an opened condition.
 FIG. 2 is a top plan view in a closed condition;
 FIG. 3 is a bottom view thereof;
 FIG. 4 is a view from one side thereof;
 FIG. 5 is a view from the opposite side thereof;
 FIG. 6 is a view from another side thereof; and
 FIG. 7 is a view from the opposite side thereof.

1 Claim, 2 Drawing Sheets



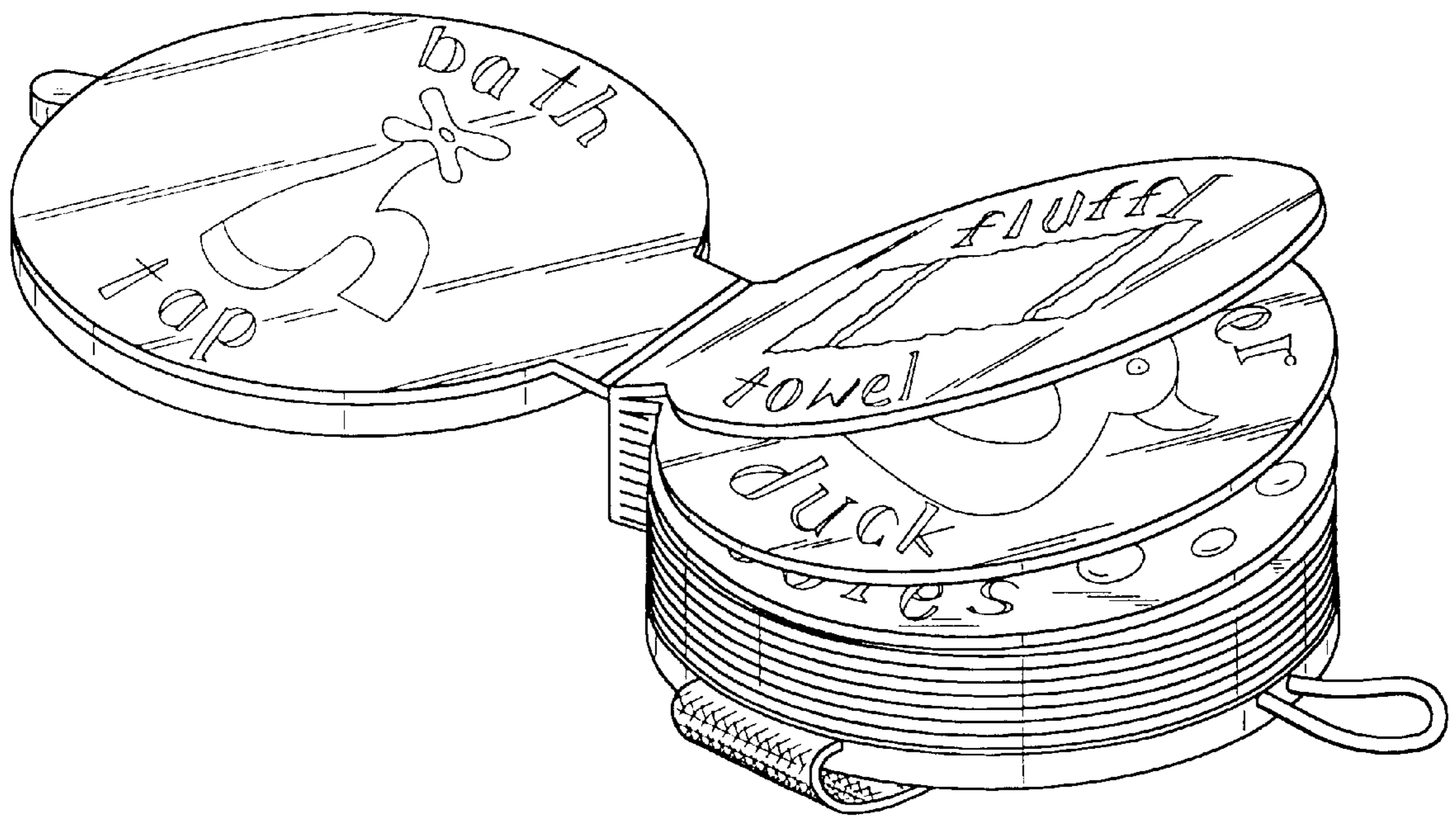


FIG. 1

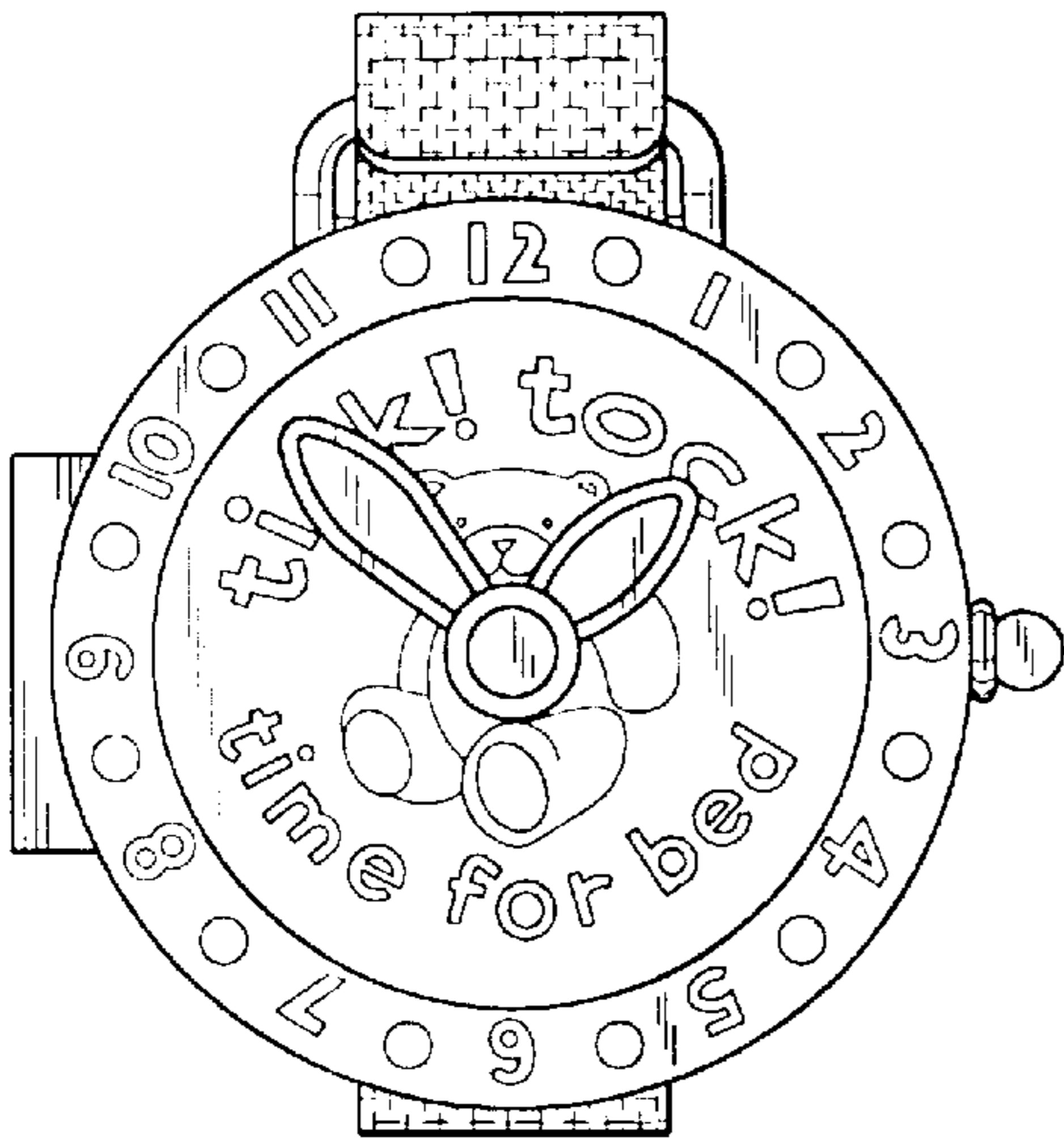


FIG. 2

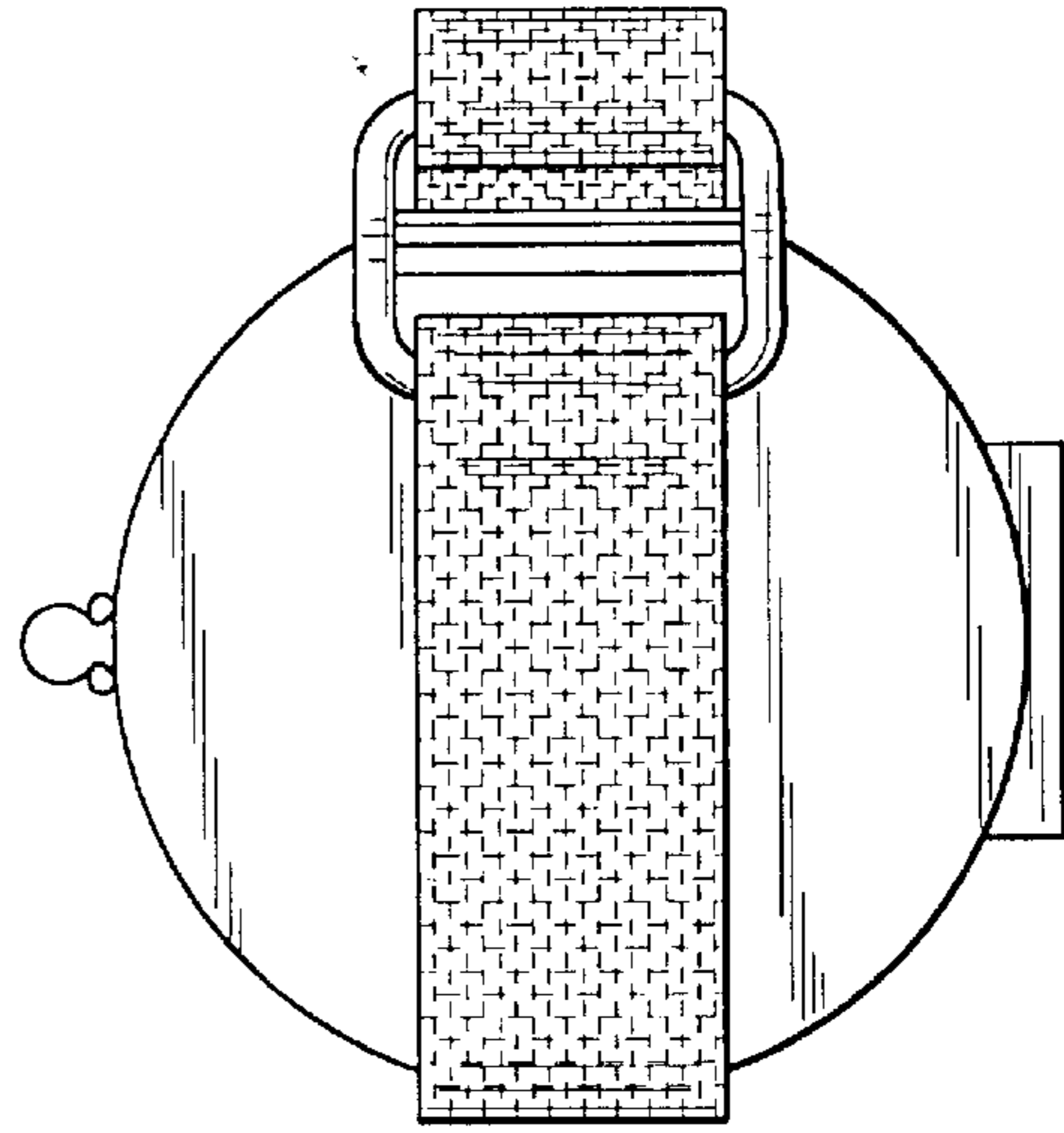


FIG. 3

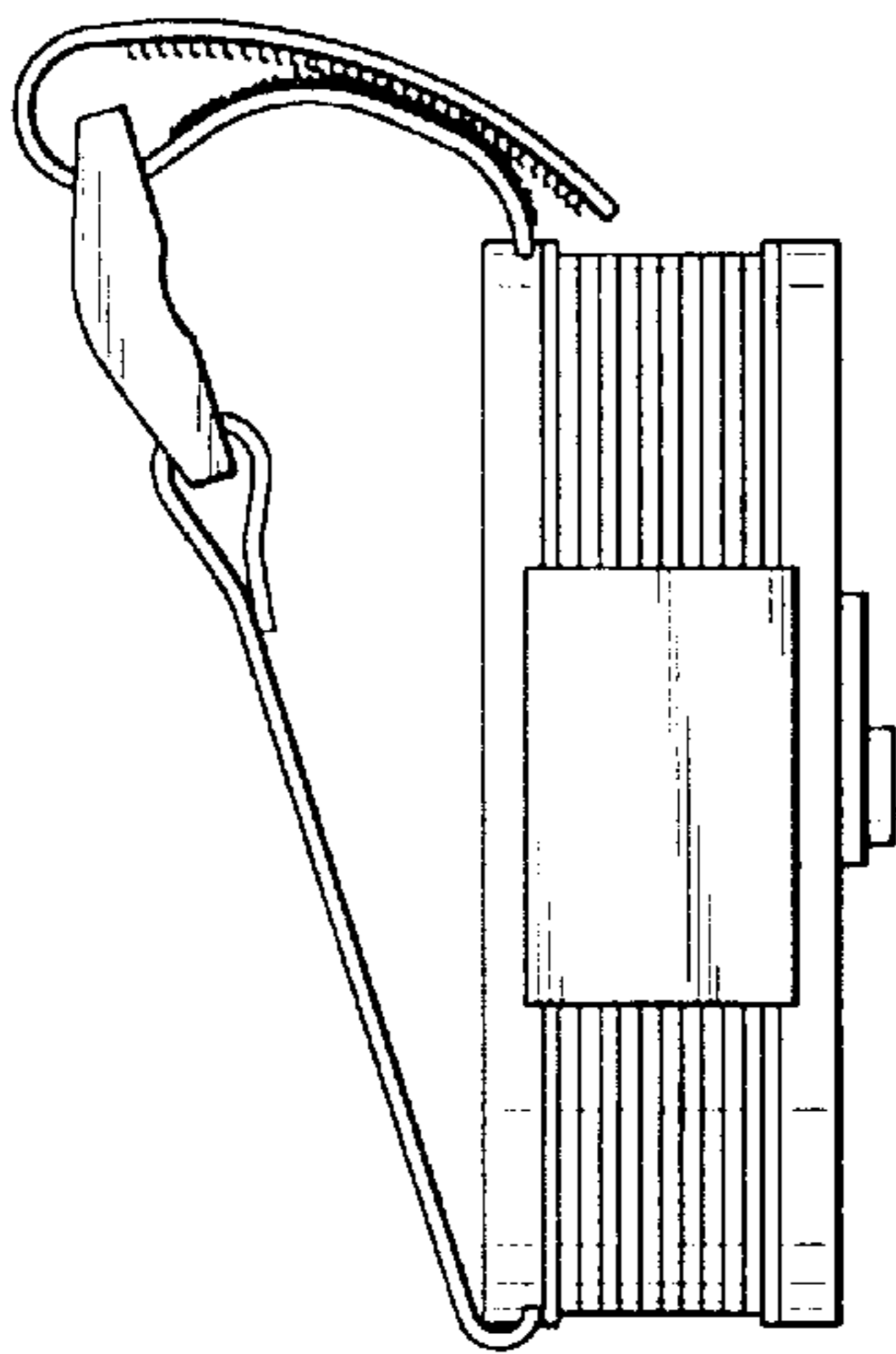


FIG. 4

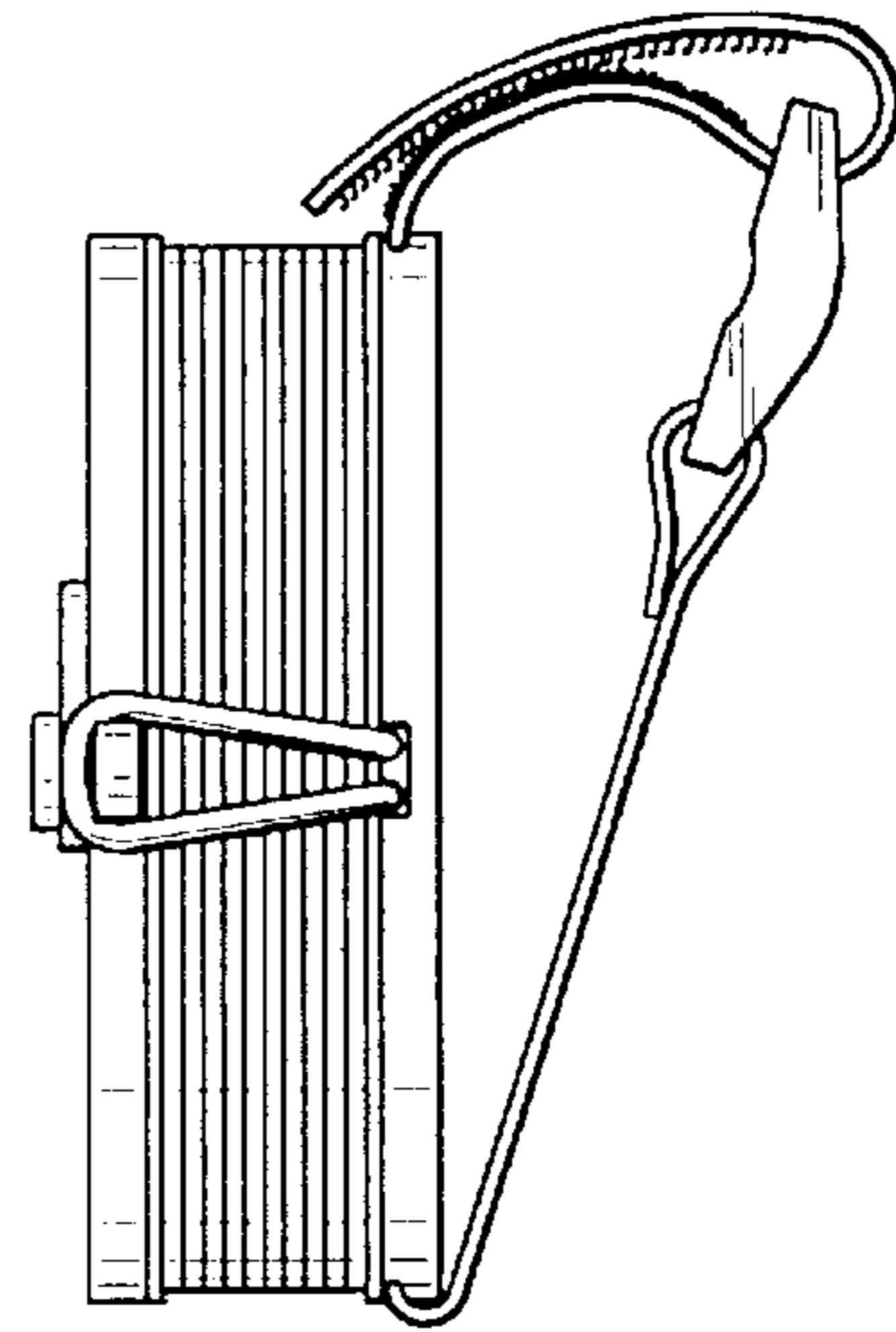


FIG. 5

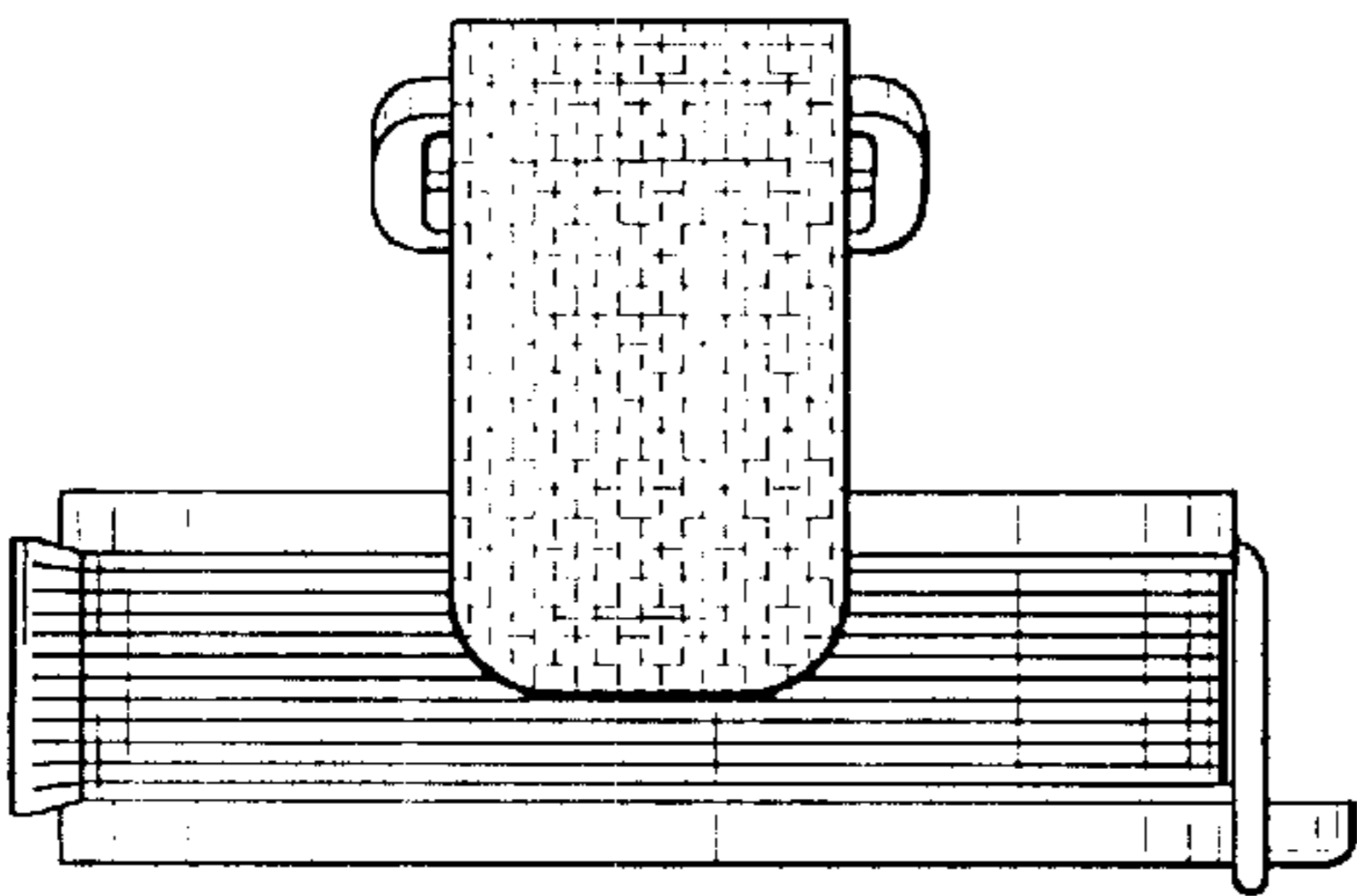


FIG. 6

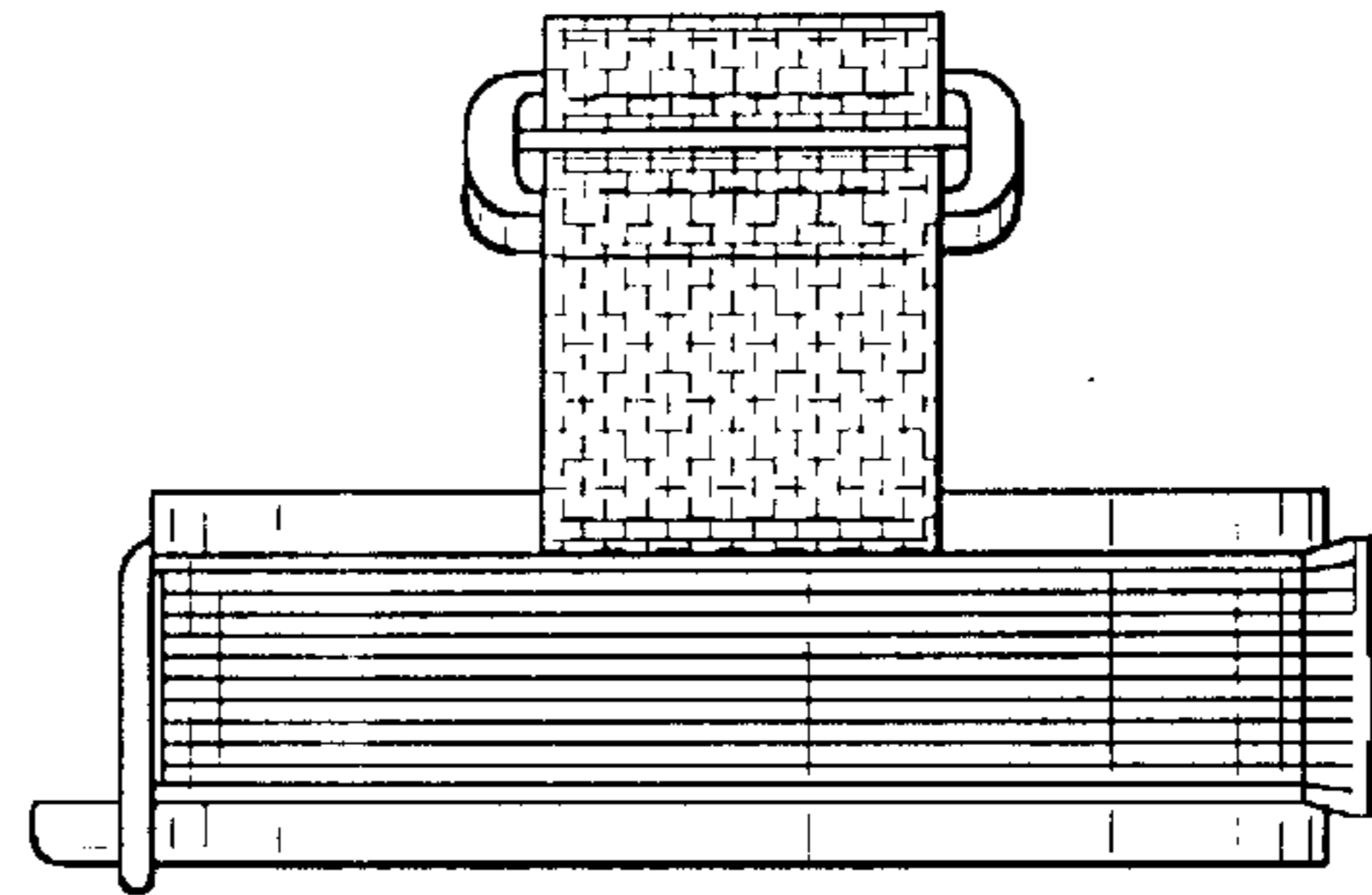


FIG. 7