



US00D437880S

(12) **United States Design Patent**
Chiba et al.

(10) **Patent No.:** **US D437,880 S**

(45) **Date of Patent:** **** Feb. 20, 2001**

(54) **SET OF CONTROL BUTTONS AND INDICATOR LIGHT FOR COMPUTER PRINTER**

(75) Inventors: **Toshimi Chiba**, **Tetsuya Sekine**, both of Yokohama; **Hitomi Ito**, Tokyo; **Manabu Inoue**, Ootsu, all of (JP)

(73) Assignee: **Canon Kabushiki Kaisha**, Tokyo (JP)

(**) Term: **14 Years**

(21) Appl. No.: **29/111,970**

(22) Filed: **Oct. 8, 1999**

(30) **Foreign Application Priority Data**

Apr. 12, 1999 (JP) 11-9489

(51) **LOC (7) Cl.** **18-02**

(52) **U.S. Cl.** **D18/56; D18/50**

(58) **Field of Search** D18/56, 50, 54-55; 400/613, 613.1-613.4, 691-694, 690.1-690.4

(56) **References Cited**

U.S. PATENT DOCUMENTS

- D. 303,979 * 10/1989 Kato et al. D18/55
- D. 307,157 * 4/1990 Sakaguchi et al. D18/54
- D. 332,465 * 1/1993 Johnson et al. D18/56
- D. 333,302 * 2/1993 Ebihara et al. D18/50
- D. 334,208 * 3/1993 Barbookles, Jr. et al. D18/50
- D. 335,302 * 5/1993 Quedenfeld D18/56
- D. 356,818 3/1995 Sekine et al. D18/55

- D. 370,690 * 6/1996 Pangburn et al. D18/56
- D. 373,378 * 9/1996 Brown et al. D18/55
- D. 382,589 * 8/1997 Girard et al. D18/56
- D. 390,595 * 2/1998 Sekine D18/54
- D. 399,250 * 10/1998 Kawai D18/55
- D. 400,571 11/1998 Shimizu D18/54
- D. 400,572 * 11/1998 Sekine et al. D18/54
- D. 404,066 * 1/1999 Sakata D18/54
- D. 409,234 * 5/1999 Inoue et al. D18/54
- D. 411,228 * 6/1999 Kobayashi et al. D18/50
- D. 413,918 * 9/1999 Shimobayashi D18/50
- D. 413,921 * 9/1999 Gassett et al. D18/56
- D. 414,508 * 9/1999 Pangburn D18/55
- D. 418,157 * 12/1999 Han D18/50
- D. 422,631 * 4/2000 Toriyama et al. D18/50
- D. 424,104 * 5/2000 Rorke et al. D18/56

* cited by examiner

Primary Examiner—Cathy Anne MacCormac

(74) *Attorney, Agent, or Firm*—Fitzpatrick, Cella, Harper & Scinto

(57) **CLAIM**

The ornamental design for a set of control buttons and indicator light for computer printer, as shown and described.

DESCRIPTION

FIG. 1 is a front view of a set of control buttons and indicator light for computer printer showing our new design; FIG. 2 is a top plan view thereof; and, FIG. 3 is an enlarged view thereof as seen in FIG. 2.

1 Claim, 3 Drawing Sheets

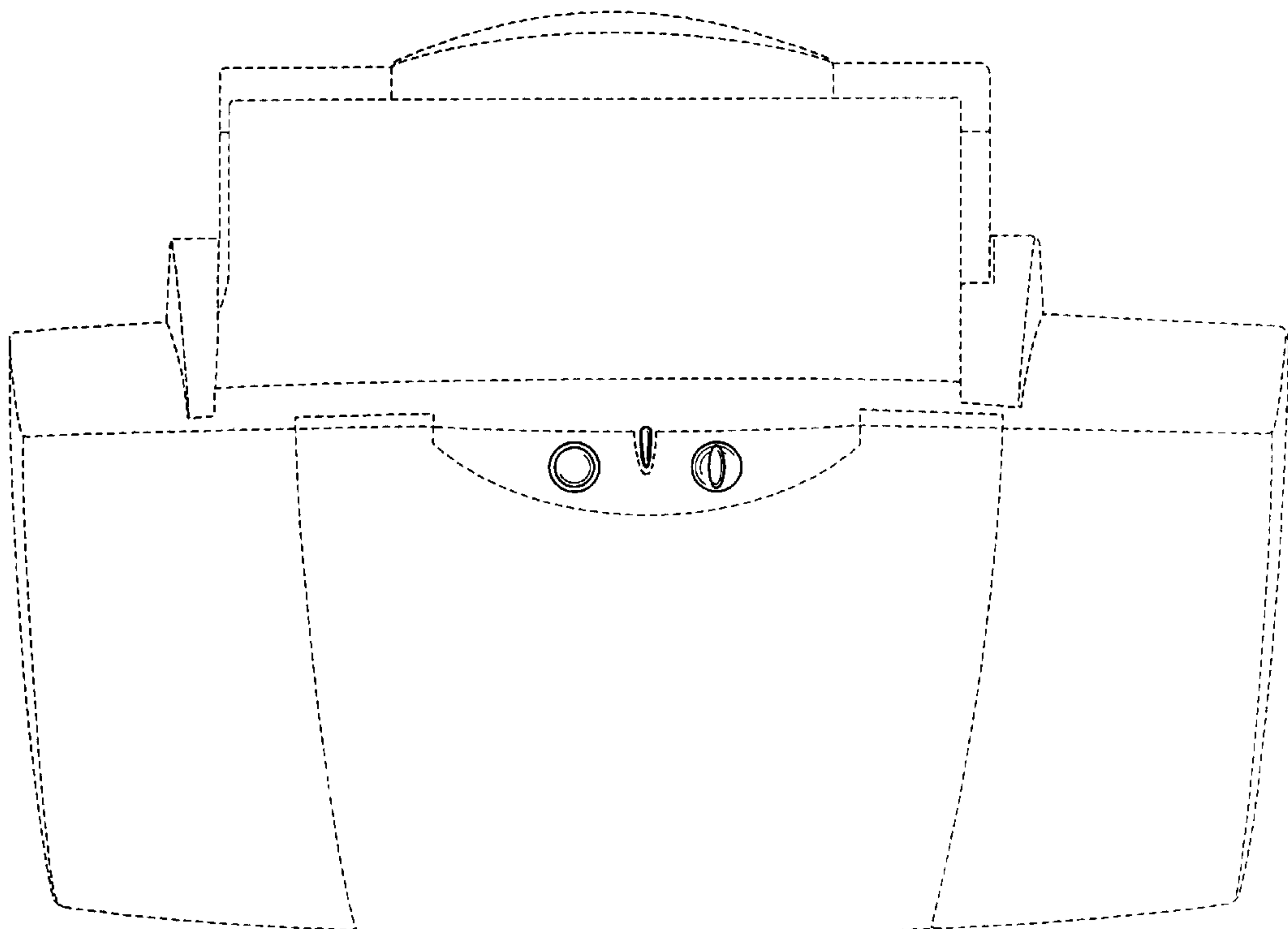


FIG. 1

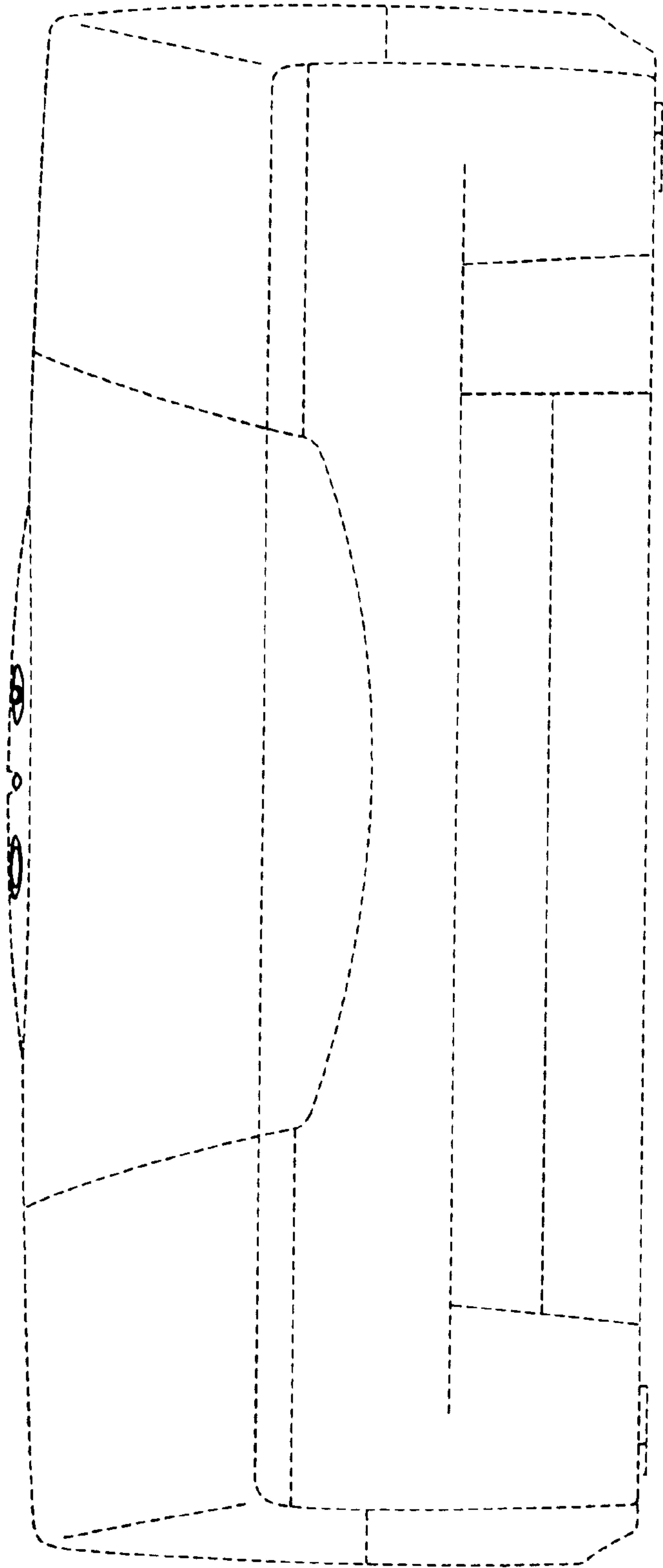


FIG. 2

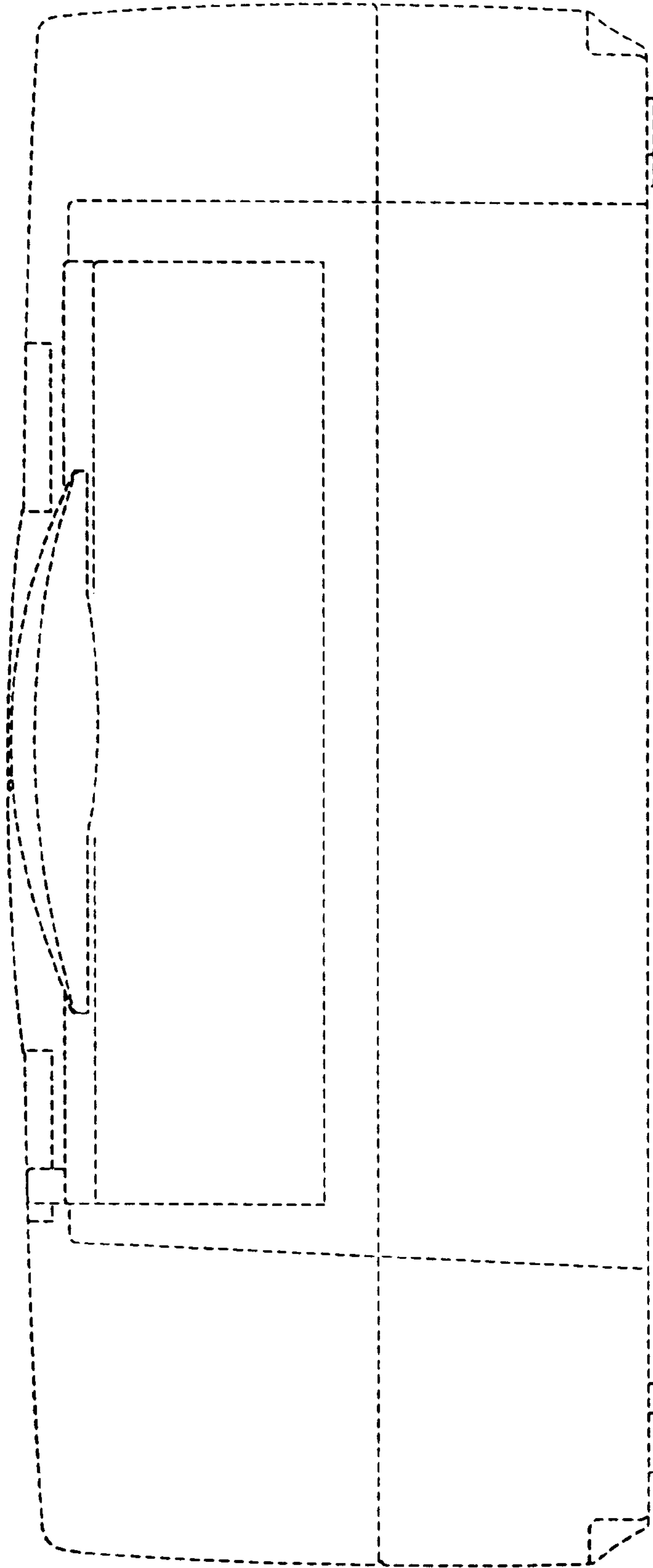
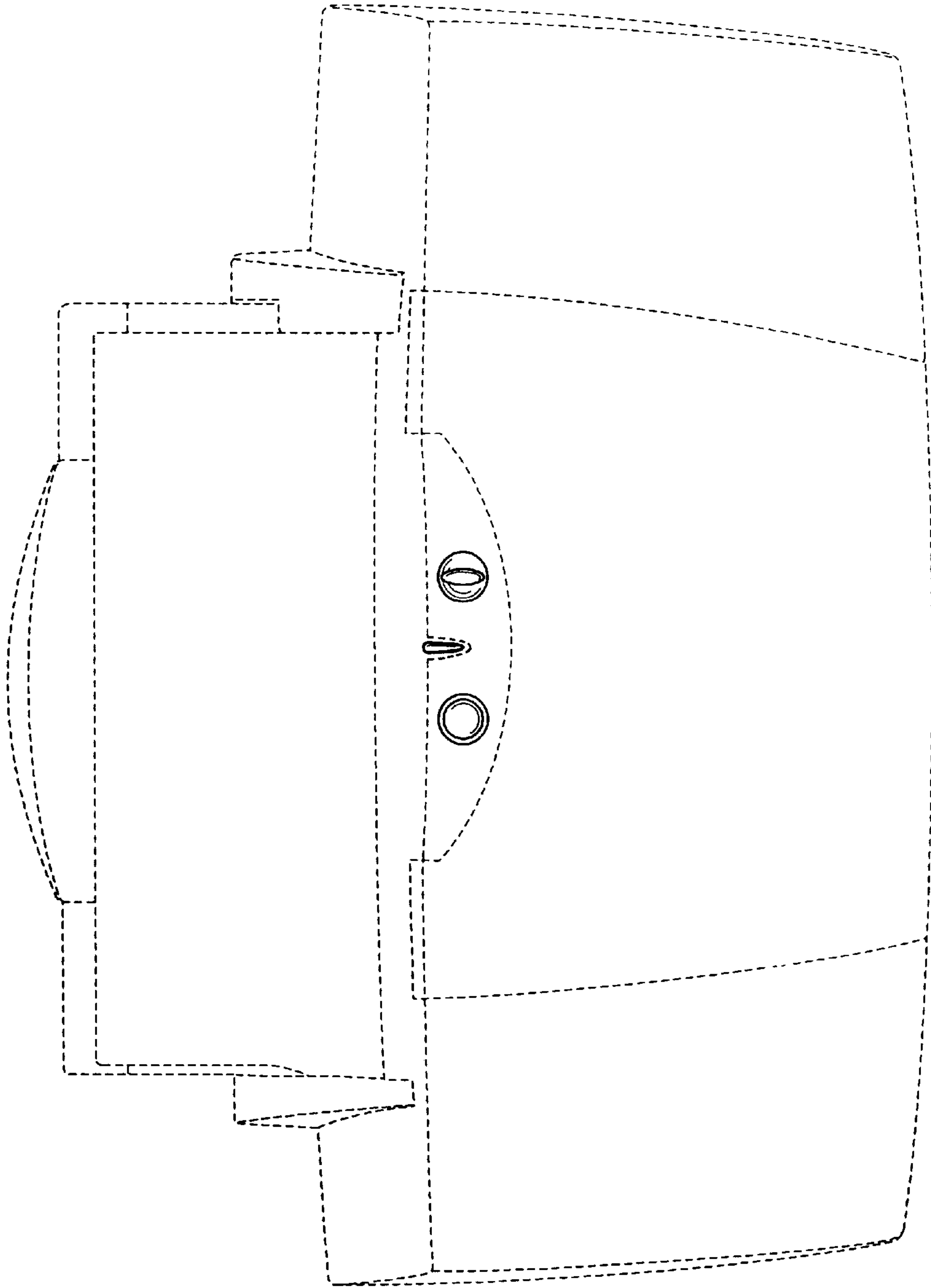


FIG. 3



UNITED STATES PATENT AND TRADEMARK OFFICE
CERTIFICATE OF CORRECTION

PATENT NO. : Des. 437,880 S
DATED : February 20, 2001
INVENTOR(S) : Toshimi Chiba et al.

Page 1 of 4


It is certified that error appears in the above-identified patent and that said Letters Patent is hereby corrected as shown below:

The title page should be deleted to appear as per attached title page.

The sheet of drawing consisting of figures 2 and 3 should be deleted to appear as per attached figures.

Signed and Sealed this

Thirteenth Day of September, 2005

A handwritten signature in black ink on a light gray dotted background. The signature reads "Jon W. Dudas" in a cursive style.

JON W. DUDAS

Director of the United States Patent and Trademark Office

(12) **United States Design Patent**
Chiba et al.

(10) **Patent No.:** **US D437,880 S**
(45) **Date of Patent:** **** Feb. 20, 2001**

(54) **SET OF CONTROL BUTTONS AND INDICATOR LIGHT FOR COMPUTER PRINTER**

(75) **Inventors:** **Toshimi Chiba; Tetsuya Sekine**, both of Yokohama; **Hitomi Ito**, Tokyo; **Manabu Inoue**, Ootsu, all of (JP)

(73) **Assignee:** **Canon Kabushiki Kaisha**, Tokyo (JP)

(**) **Term:** **14 Years**

(21) **Appl. No.:** **29/111,970**

(22) **Filed:** **Oct. 8, 1999**

(30) **Foreign Application Priority Data**

Apr. 12, 1999 (JP) 11-9489

(51) **LOC (7) Cl.** **18-02**

(52) **U.S. Cl.** **D18/56; D18/50**

(58) **Field of Search** **D18/56, 50, 54-55; 400/613, 613.1-613.4, 691-694, 690.1-690.4**

(56) **References Cited**

U.S. PATENT DOCUMENTS

- D. 303,979 * 10/1989 Kato et al. D18/55
- D. 307,157 * 4/1990 Sakaguchi et al. D18/54
- D. 332,465 * 1/1993 Johnson et al. D18/56
- D. 333,302 * 2/1993 Ebihara et al. D18/50
- D. 334,208 * 3/1993 Barbookles, Jr. et al. D18/50
- D. 335,302 * 5/1993 Quedenfeld D18/56
- D. 356,818 3/1995 Sekine et al. D18/55

- D. 370,690 * 6/1996 Pangburn et al. D18/56
- D. 373,378 * 9/1996 Brown et al. D18/55
- D. 382,589 * 8/1997 Girard et al. D18/56
- D. 390,595 * 2/1998 Sekine D18/54
- D. 399,250 * 10/1998 Kawai D18/55
- D. 400,571 11/1998 Shimizu D18/54
- D. 400,572 * 11/1998 Sekine et al. D18/54
- D. 404,066 * 1/1999 Sakata D18/54
- D. 409,234 * 5/1999 Inoue et al. D18/54
- D. 411,228 * 6/1999 Kobayashi et al. D18/50
- D. 413,918 * 9/1999 Shimobayashi D18/50
- D. 413,921 * 9/1999 Gassett et al. D18/56
- D. 414,508 * 9/1999 Pangburn D18/55
- D. 418,157 * 12/1999 Han D18/50
- D. 422,631 * 4/2000 Toriyama et al. D18/50
- D. 424,104 * 5/2000 Rorke et al. D18/56

* cited by examiner

Primary Examiner—Cathy Anne MacCormac

(74) *Attorney, Agent, or Firm*—Fitzpatrick, Cella, Harper & Scinto

(57) **CLAIM**

The ornamental design for a set of control buttons and indicator light for computer printer, as shown and described.

DESCRIPTION

FIG. 1 is a front view of a set of control buttons and indicator light for computer printer showing our new design; FIG. 2 is a top plan view thereof; and, FIG. 3 is an enlarged view thereof as seen in FIG. 2.

1 Claim, 3 Drawing Sheets

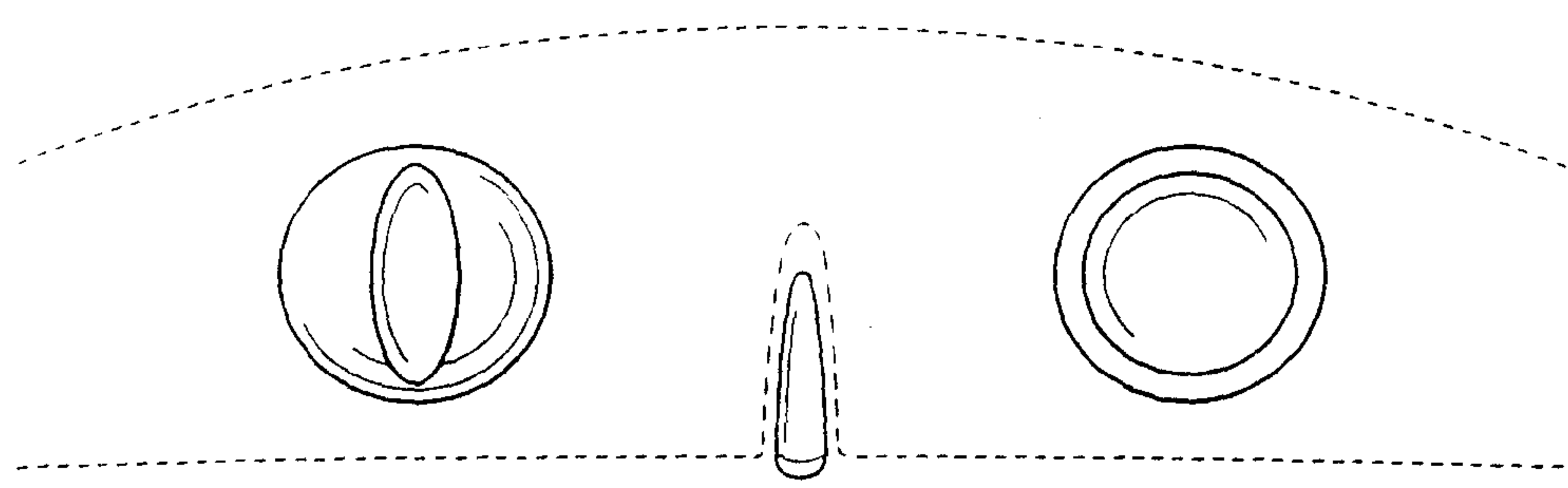


FIG. 2

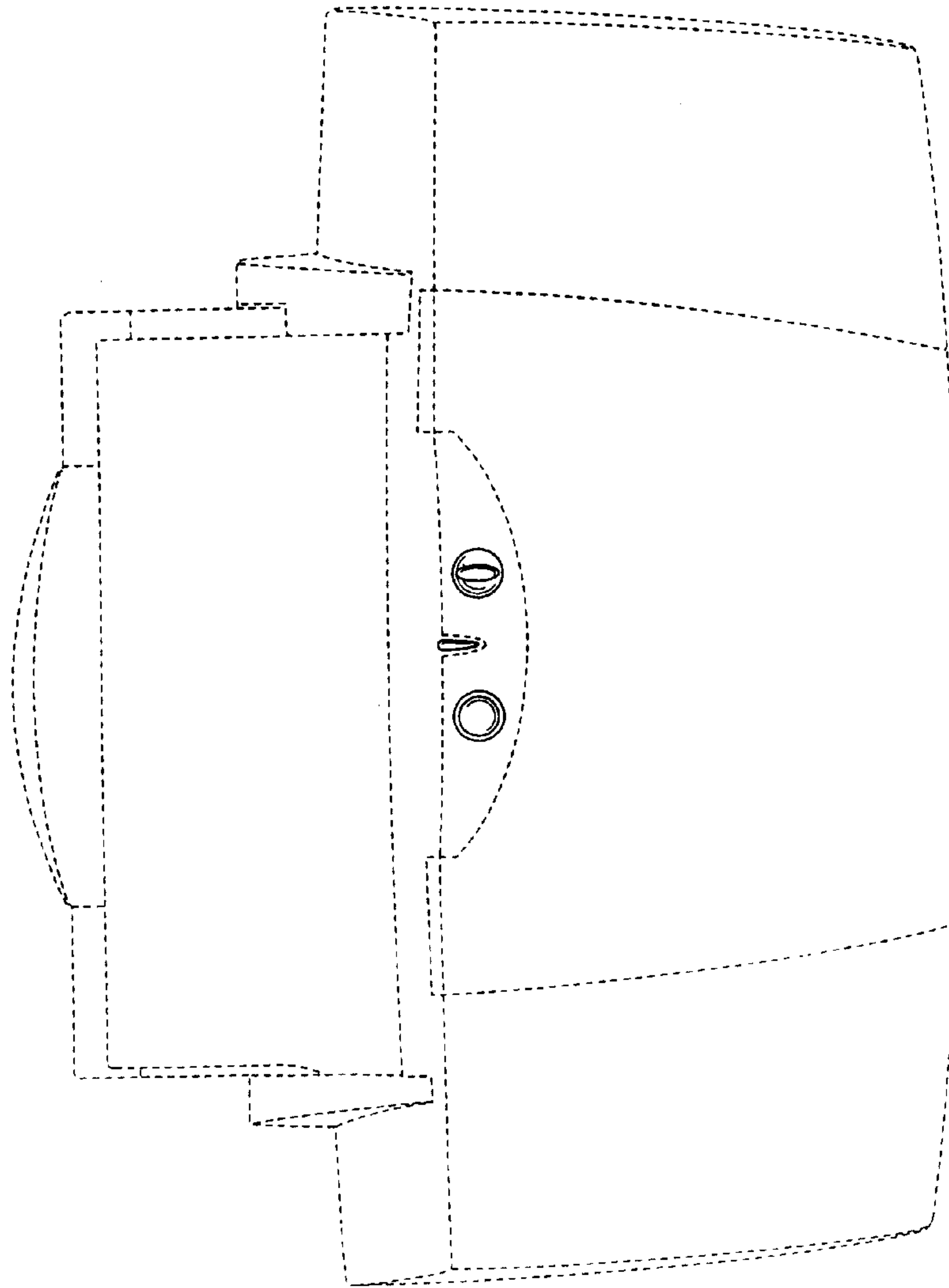


FIG. 3

