



US00D437879S

(12) **United States Design Patent**  
**Weinandt**

(10) **Patent No.:** **US D437,879 S**

(45) **Date of Patent:** **\*\* Feb. 20, 2001**

(54) **CALLER IDENTIFICATION PRINTER**

(76) Inventor: **Monique Weinandt**, 2984 Marschall Rd., Shakopee, MN (US) 55379

(\*\*) Term: **14 Years**

(21) Appl. No.: **29/100,108**

(22) Filed: **Feb. 4, 1999**

(51) **LOC (7) Cl.** ..... **14-02**

(52) **U.S. Cl.** ..... **D18/50; D14/240**

(58) **Field of Search** ..... D18/50, 54-55,  
D18/36-37; 400/613, 613.1-613.4, 690.1-690.4,  
691-694; D14/240

(56) **References Cited**

**U.S. PATENT DOCUMENTS**

D. 187,274	*	2/1960	Friedman	.....	D14/240
D. 192,247	*	2/1962	Michals	.....	D14/240
D. 212,975	*	12/1968	Scott	.....	D18/36
D. 213,295	*	2/1969	Nagrodsky	.....	D14/240
D. 224,664	*	8/1972	Paynet	.....	D18/36
D. 349,502	*	8/1994	Fan	.....	D14/240
D. 398,638	*	9/1998	Deutsch	.....	D18/99
D. 413,351	*	8/1999	Escobedo et al.	.....	D18/50

D. 415,787 \* 10/1999 Clark, III et al. .... D18/36  
4,921,343 \* 5/1990 Ushiro et al. .... 353/66

\* cited by examiner

*Primary Examiner*—Cathy Anne MacCormac

(57) **CLAIM**

The ornamental design for a caller identification printer, as shown.

**DESCRIPTION**

FIG. 1 is a front elevational view of the caller identification printer of the present invention;  
FIG. 2 is a back elevational view of the caller identification printer of FIG. 1;  
FIG. 3 is a left side elevational view of the caller identification printer of FIG. 1;  
FIG. 4 is a right side elevational view of the caller identification printer of FIG. 1;  
FIG. 5 is a top plan view of the caller identification printer of FIG. 1; and,  
FIG. 6 is a bottom plan view of the caller identification printer of FIG. 1.

**1 Claim, 3 Drawing Sheets**

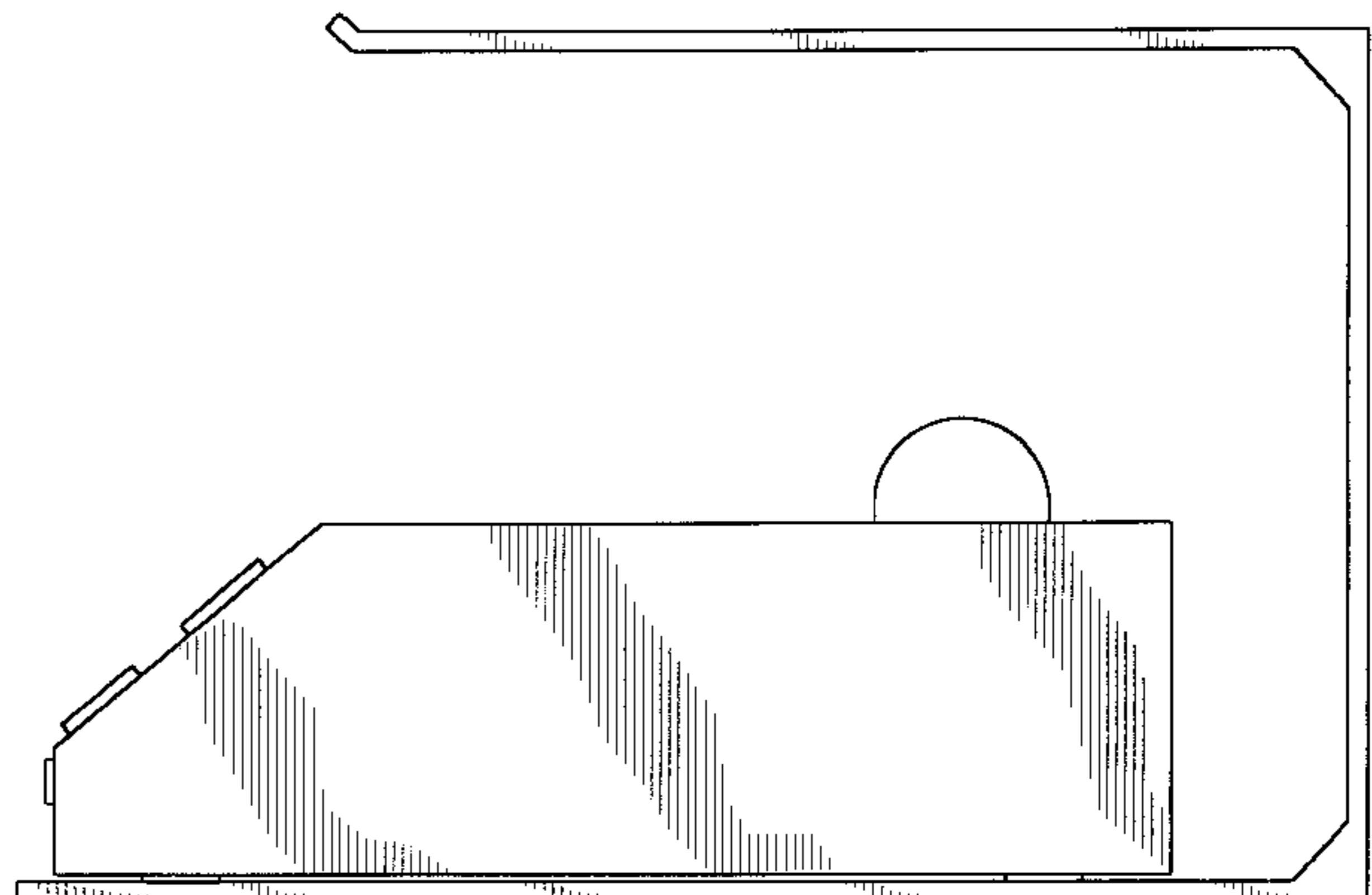
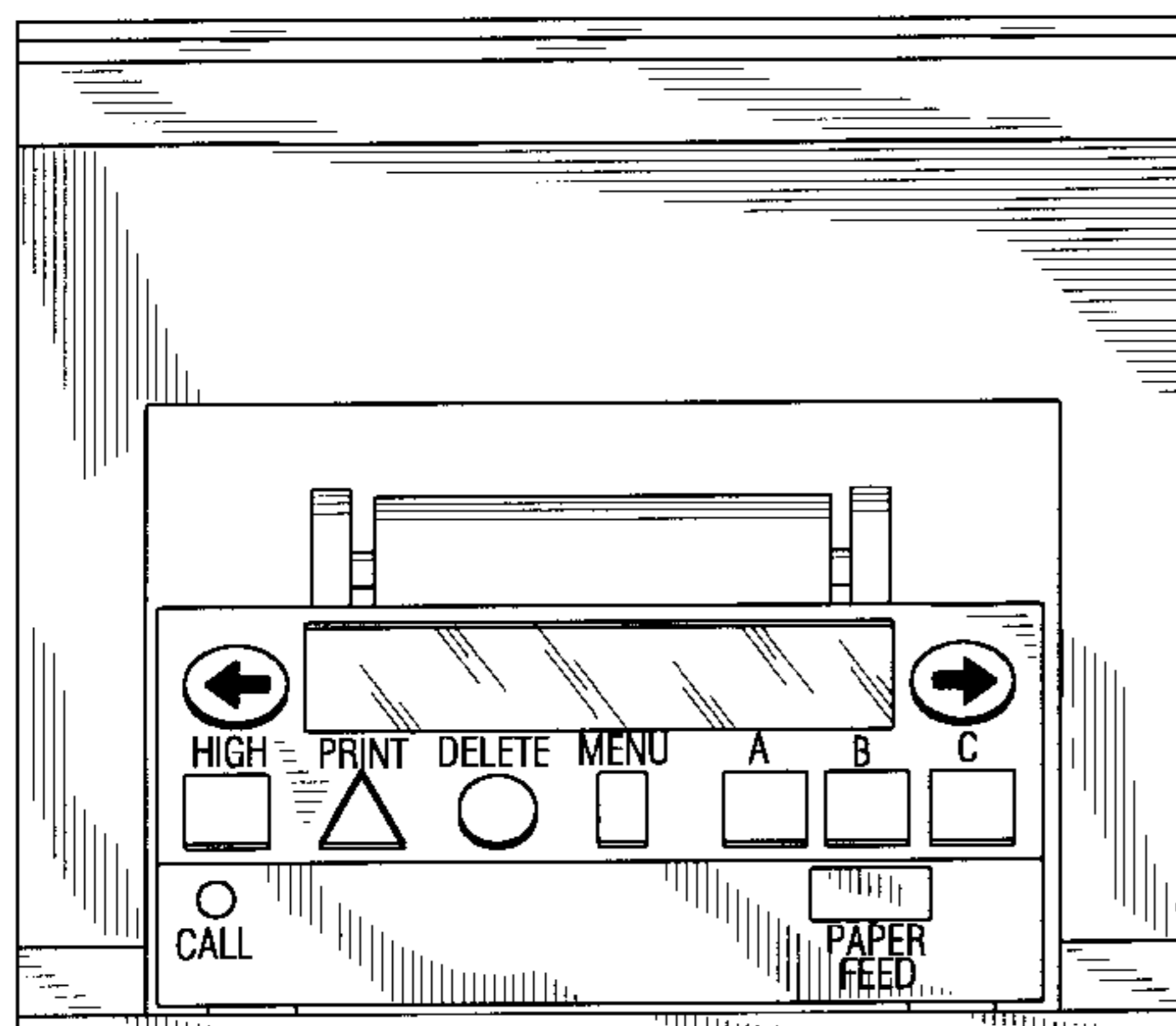


FIG. 1

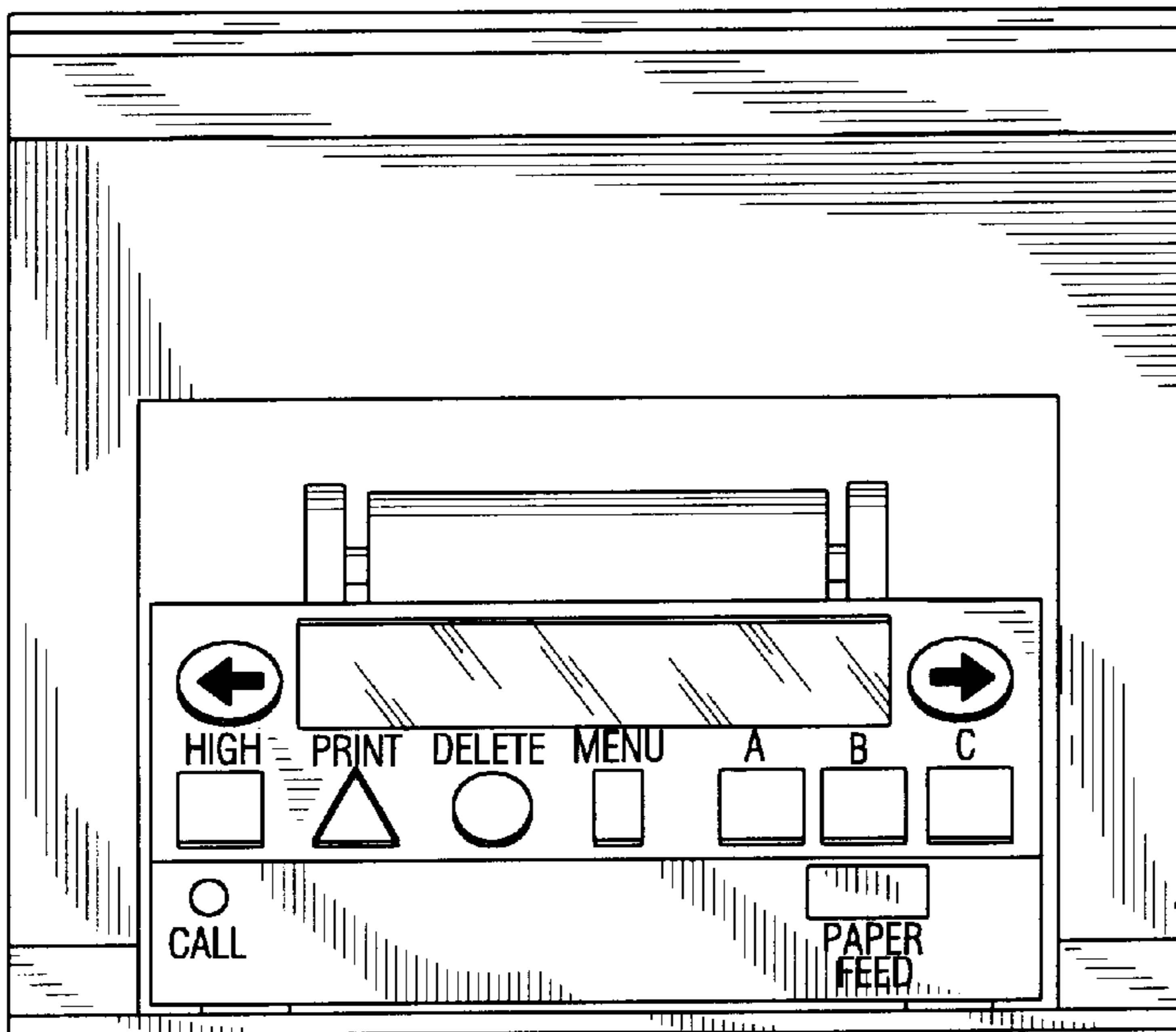
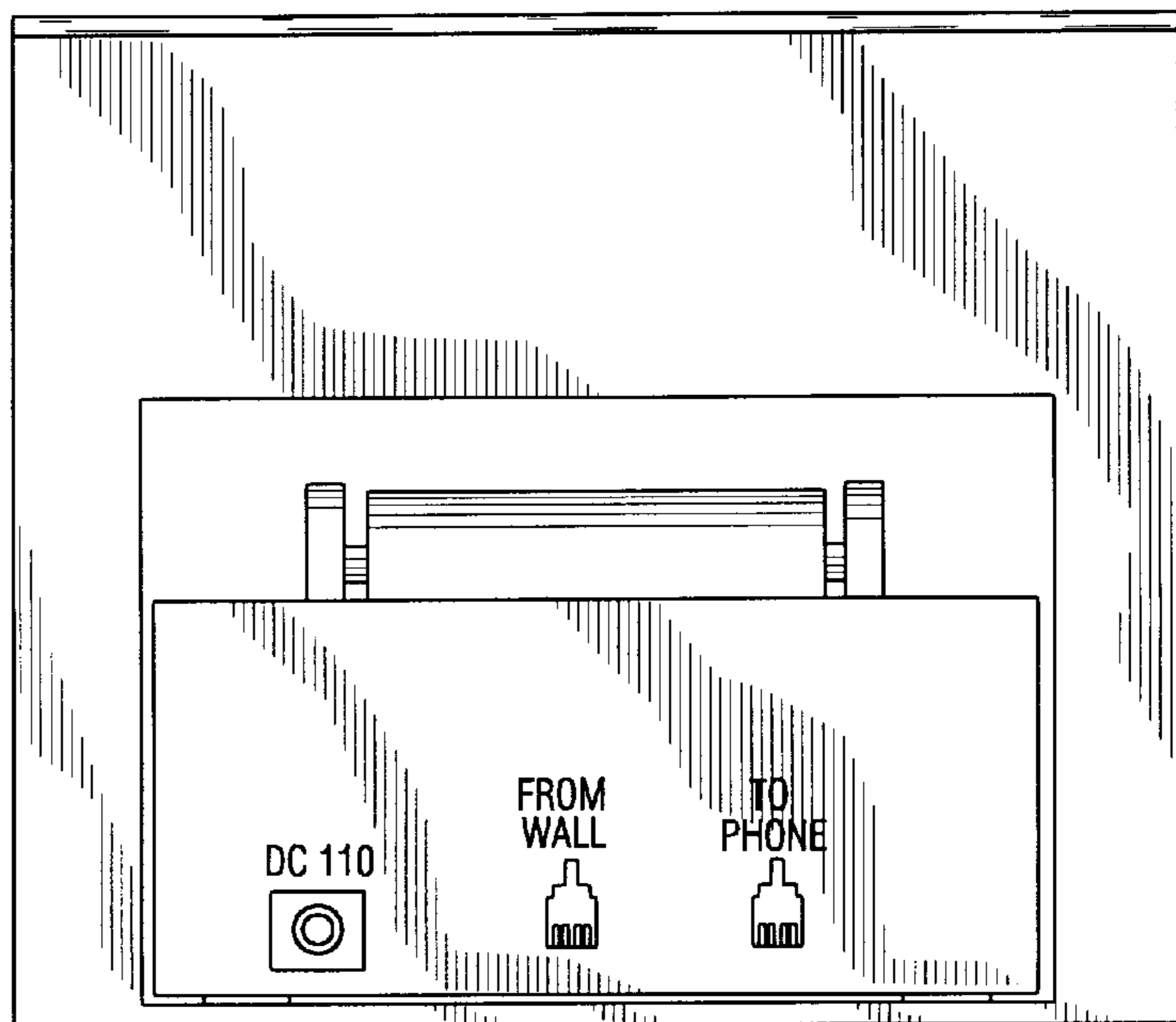


FIG. 2



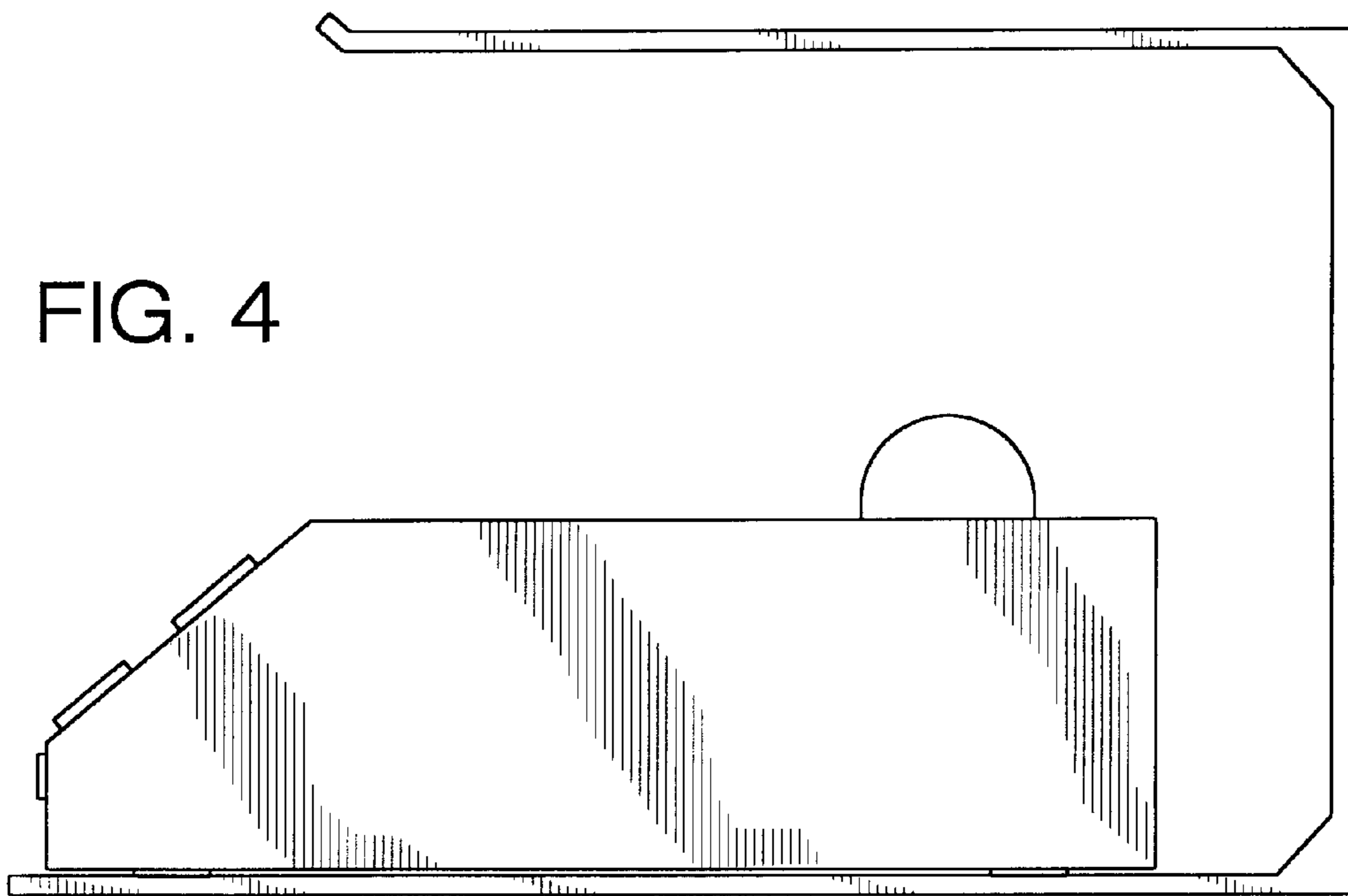
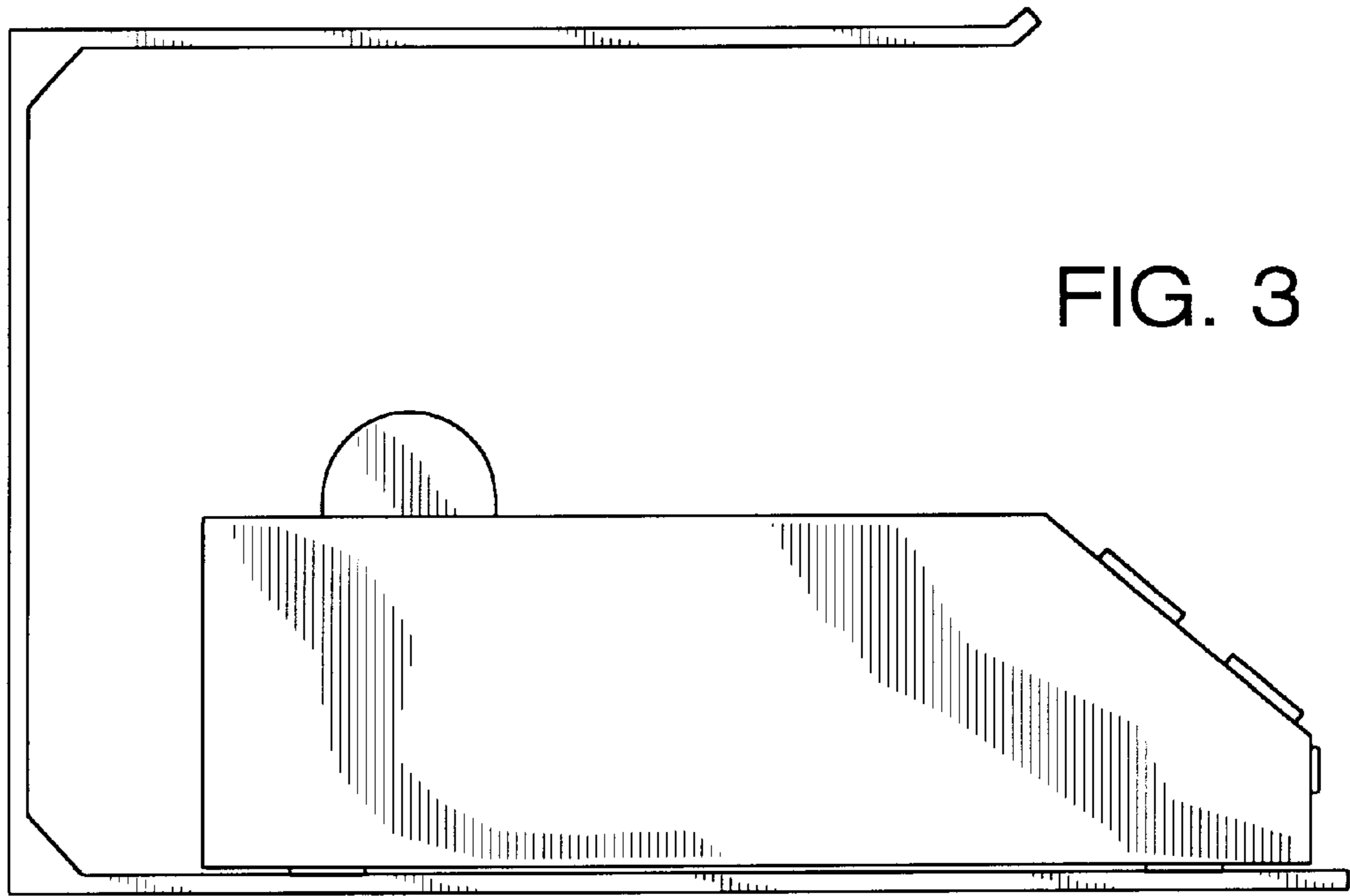


FIG. 5

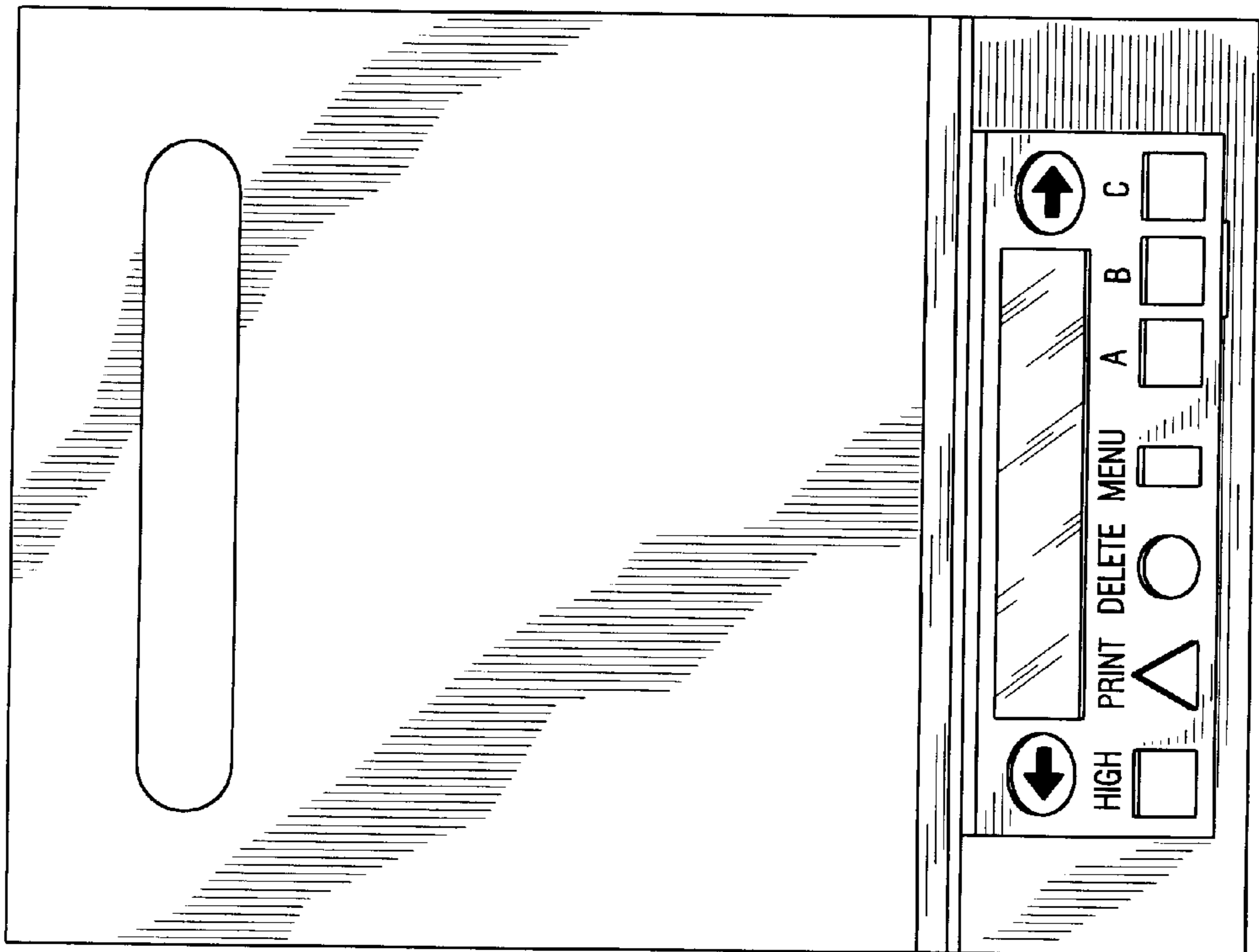


FIG. 6

