



US00D437876S

(12) **United States Design Patent**
Davies

(10) **Patent No.:** **US D437,876 S**

(45) **Date of Patent:** **** Feb. 20, 2001**

(54) **CASH DRAWER**

5,723,850 * 3/1998 Lambert 235/22

(75) Inventor: **Mark Davies**, Newhaven (GB)

* cited by examiner

(73) Assignee: **Cash Bases GB Ltd.**, East Sussex (GB)

Primary Examiner—Caron D. Veynar

(**) Term: **14 Years**

(74) *Attorney, Agent, or Firm*—Alix, Yale & Ristas, LLP

(21) Appl. No.: **29/114,411**

(57) **CLAIM**

(22) Filed: **Nov. 23, 1999**

The ornamental design for a cash drawer, as shown and described.

(30) **Foreign Application Priority Data**

DESCRIPTION

May 24, 1999 (GB) 2083669

FIG. 1 is a top plan view of a cash drawer showing my new design;

(51) **LOC (7) Cl.** **18-01**

FIG. 2 is a front elevational view thereof;

(52) **U.S. Cl.** **D18/4.1**

FIG. 3 is a rear elevational view thereof;

(58) **Field of Search** D18/3.1–3.3, 4.1–4.6,
D18/12, 12.1; 312/211, 291, 333; 235/22,
7 R; 453/37, 60, 62

FIG. 4 is a side elevational view thereof viewed from the left of FIG. 1;

FIG. 5 is a side elevational view thereof viewed from the right of FIG. 1;

(56) **References Cited**

FIG. 6 is a perspective view thereof; and,

U.S. PATENT DOCUMENTS

FIG. 7 is a perspective view thereof wherein the drawer is ejected to an open position and the portions shown in broken lines do not form part of the claimed design.

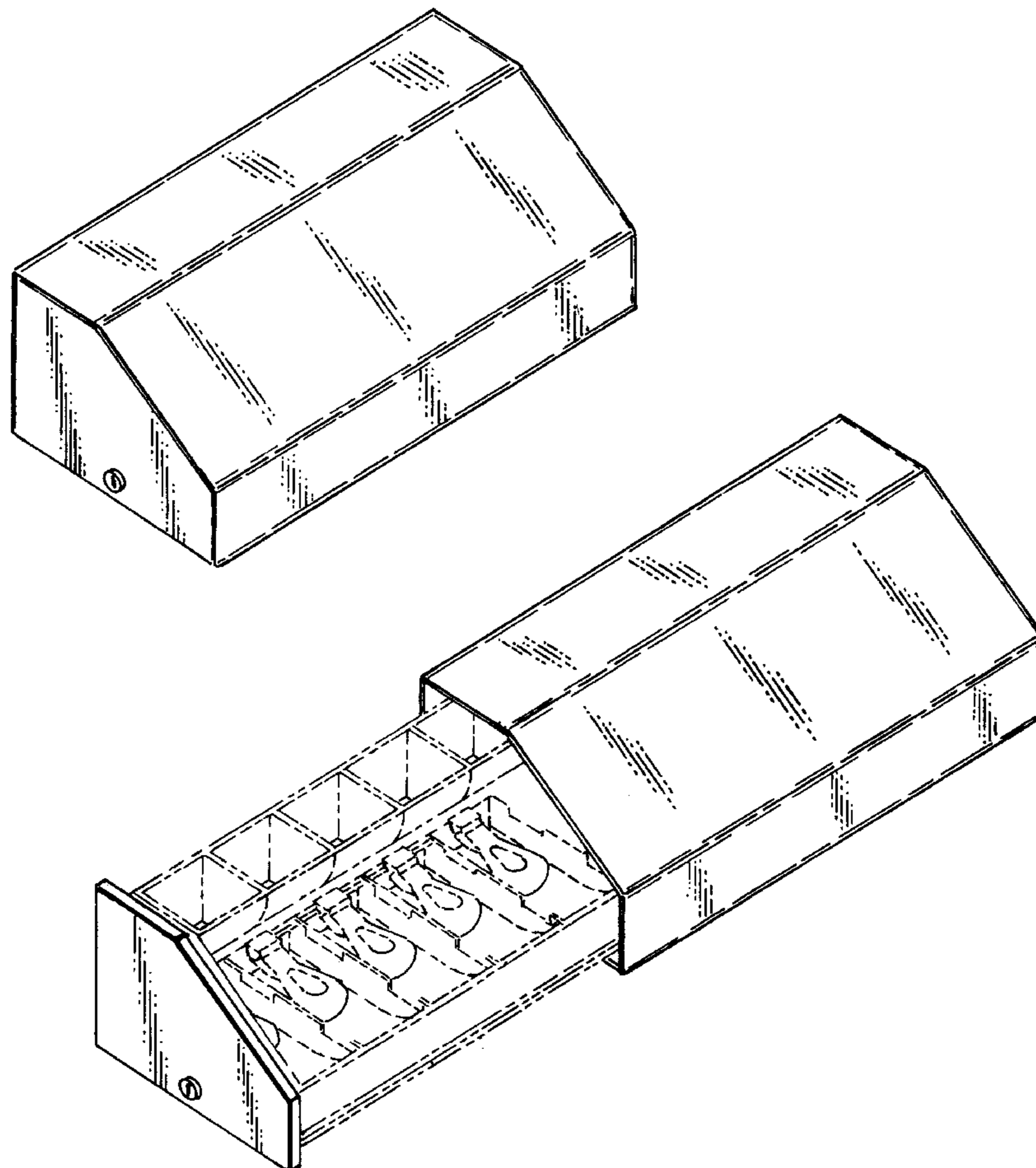
4,412,709 * 11/1983 Ishii 312/291

4,766,292 * 8/1988 Cone 235/22

5,397,264 * 3/1995 Gross 453/37

The bottom plan view forms no part of the claimed design.

1 Claim, 2 Drawing Sheets



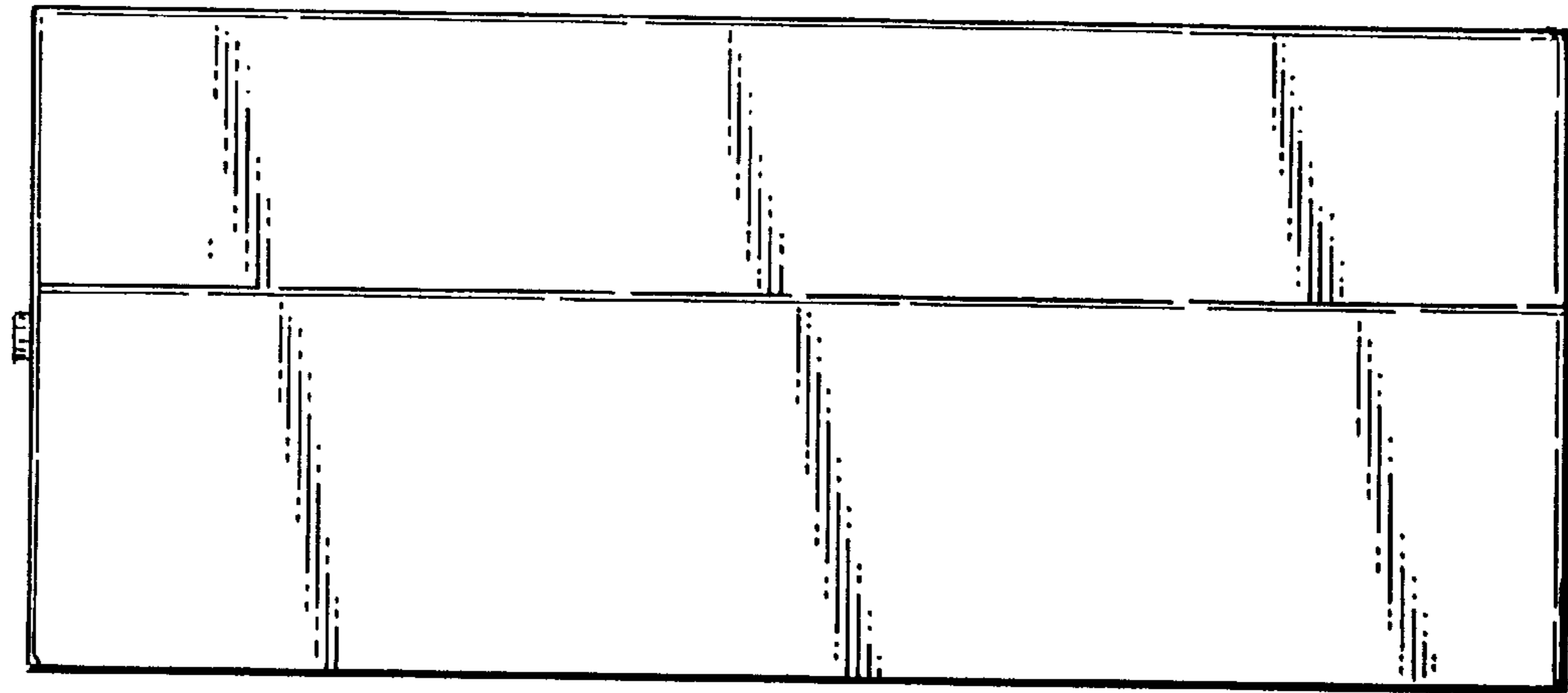


FIG. 1

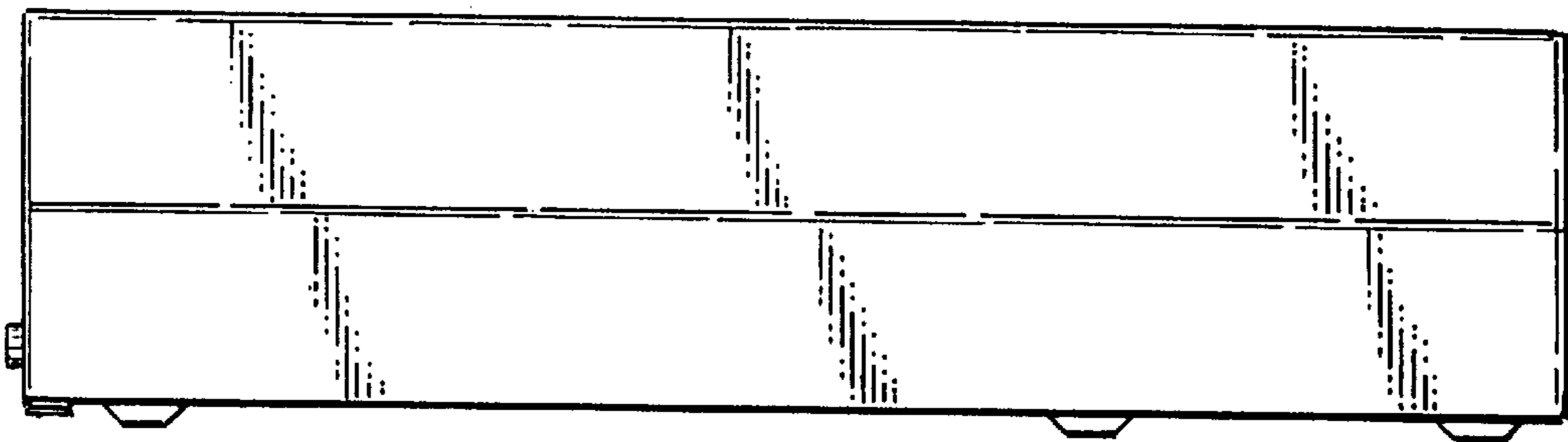


FIG. 2

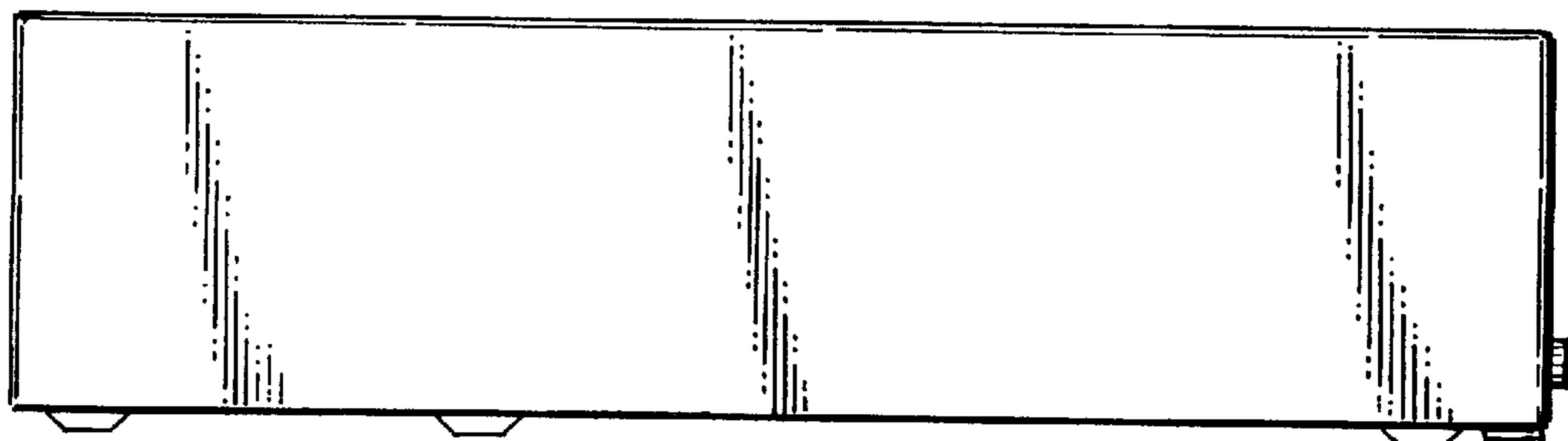


FIG. 3

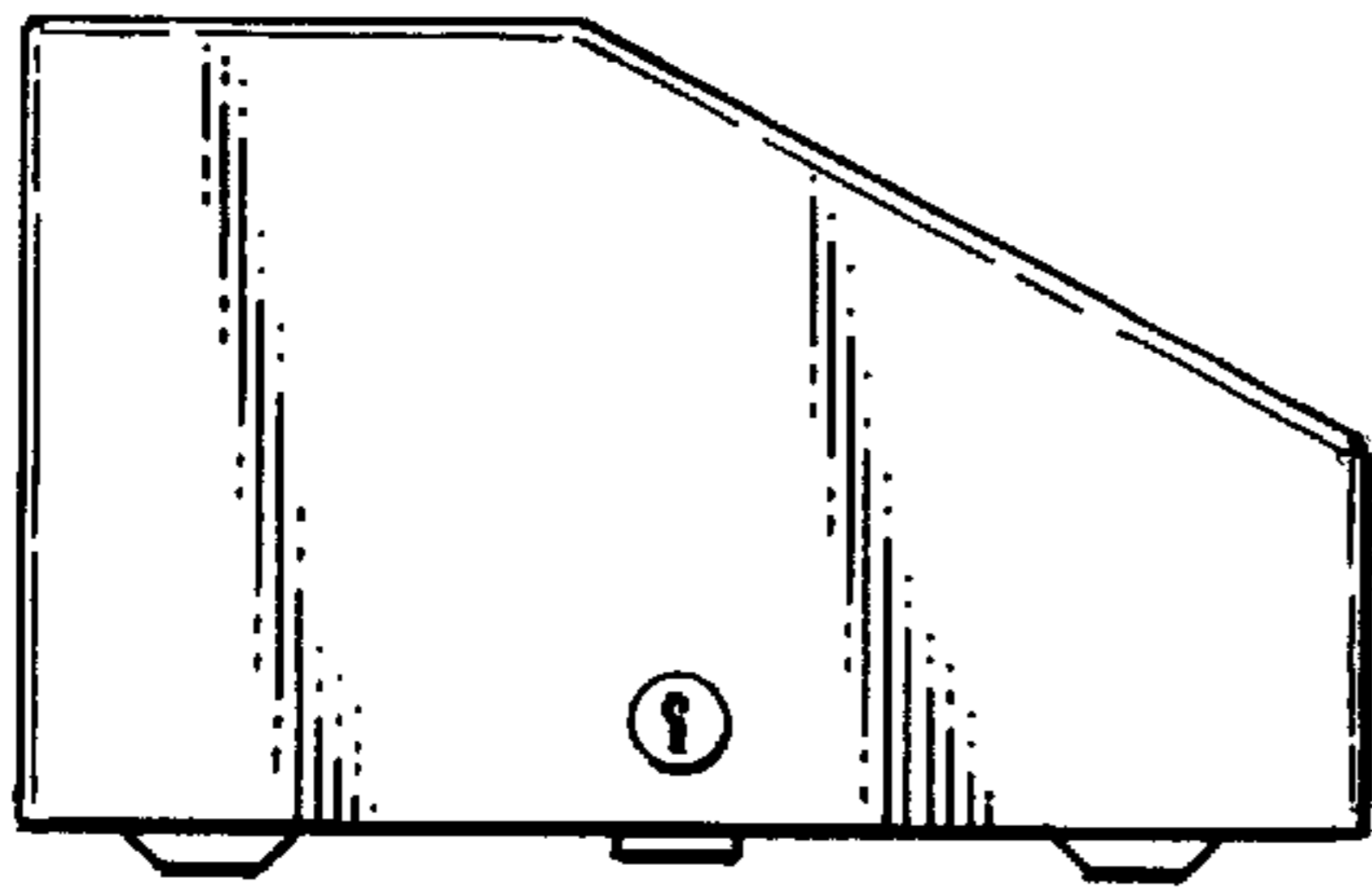


FIG. 4

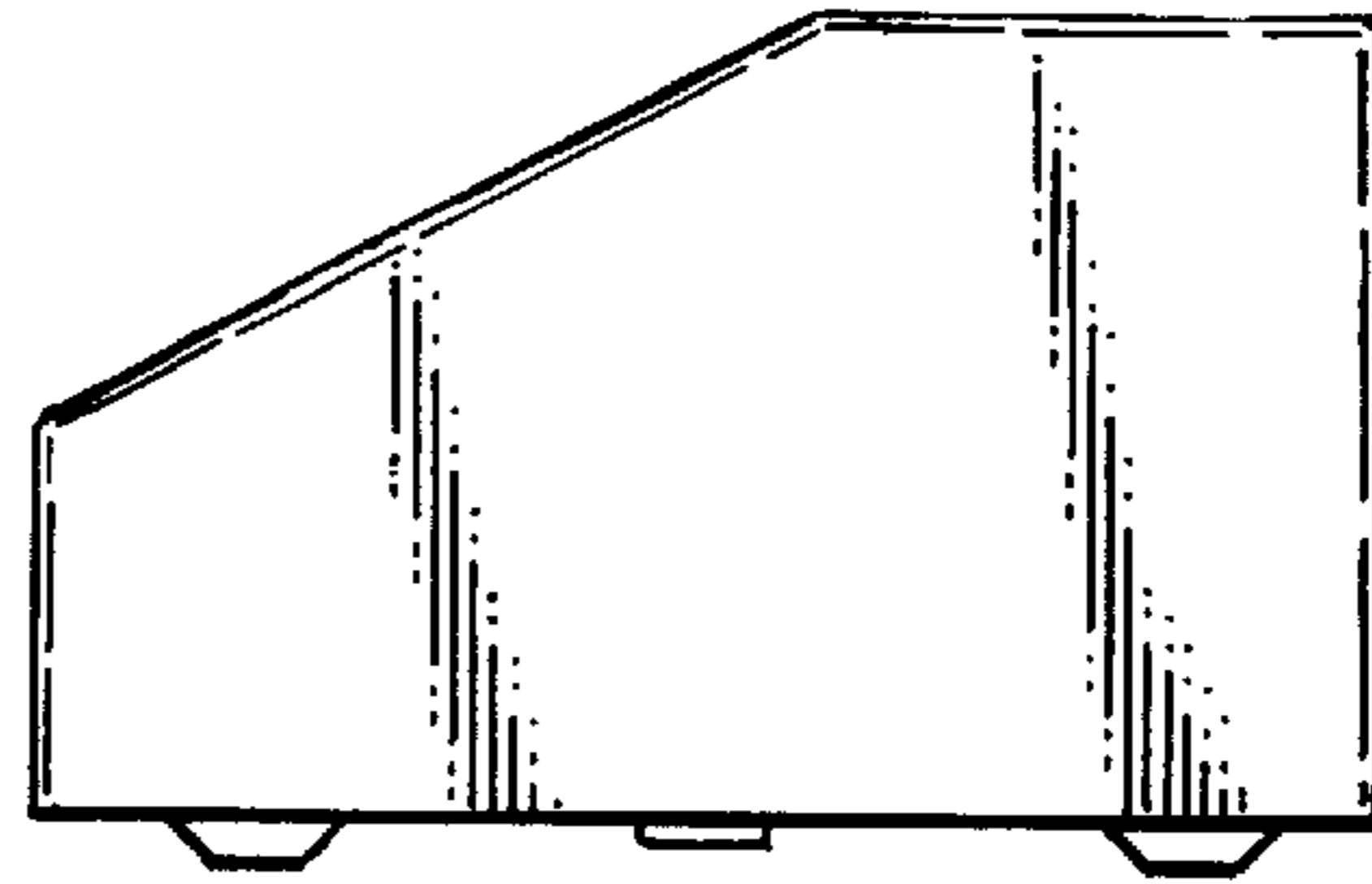


FIG. 5

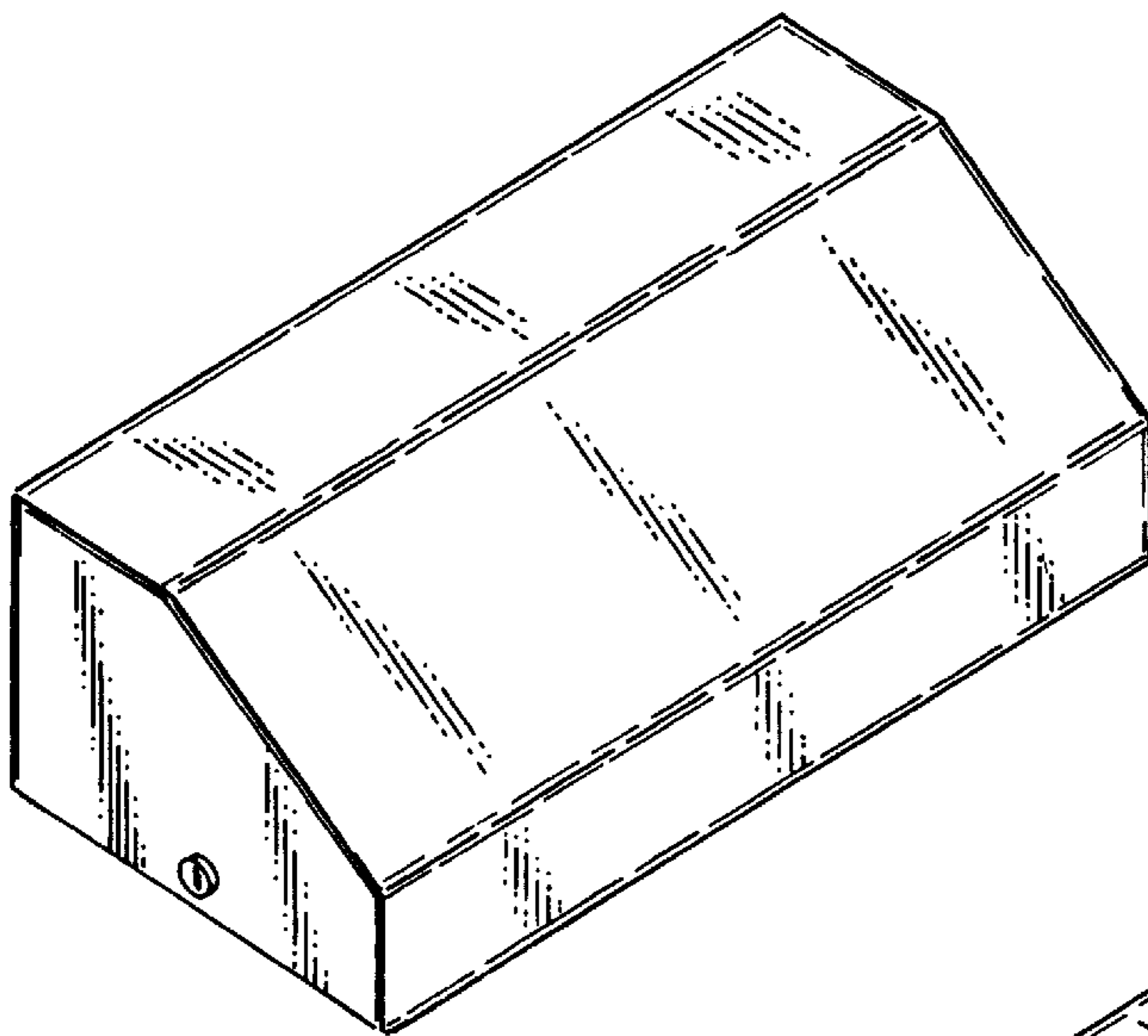


FIG. 6

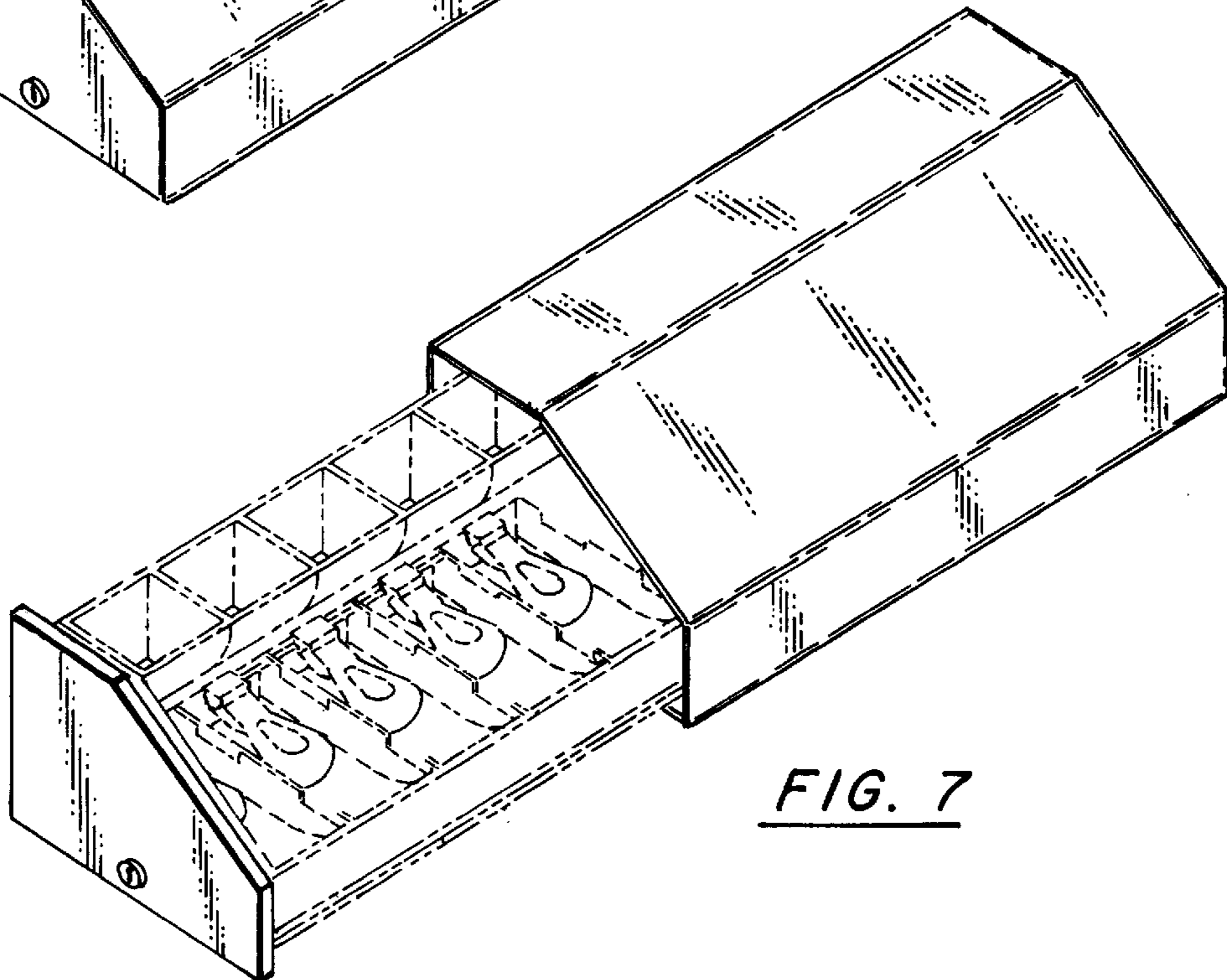


FIG. 7