



US00D437869S

(12) **United States Design Patent**  
Nakanishi et al.

(10) **Patent No.:** **US D437,869 S**

(45) **Date of Patent:** **\*\* Feb. 20, 2001**

(54) **FRONT PORTION OF CAMERA**

(75) Inventors: **Masakazu Nakanishi**, Hashimoto;  
**Shinji Matsumoto**, Toyokawa, both of  
(JP)

(73) Assignee: **Minolta Co., Ltd.**, Osaka (JP)

(\*\*) Term: **14 Years**

(21) Appl. No.: **29/122,445**

(22) Filed: **Apr. 28, 2000**

(30) **Foreign Application Priority Data**

Dec. 29, 1999 (JP) ..... 11-36818

(51) **LOC (7) Cl.** ..... **16-05**

(52) **U.S. Cl.** ..... **D16/219; D16/218**

(58) **Field of Search** ..... D16/200-205,  
D16/208, 209, 217-219; 396/6, 7, 25-29,  
535-539, 439

(56) **References Cited**

**U.S. PATENT DOCUMENTS**

D. 394,074	5/1998	Yamanouchi	.....	D16/202
D. 394,076	5/1998	Matsumura et al.	.....	D16/209
D. 396,242	7/1998	Ito	.....	D16/209
D. 397,128	8/1998	Sugioka	.....	D16/202
D. 411,851 *	7/1999	Song	.....	D16/209
D. 418,851 *	1/2000	Goto et al.	.....	D16/202
D. 422,611 *	4/2000	Katayama et al.	.....	D16/202

D. 428,035 *	7/2000	Hou et al.	.....	D16/209
5,708,898 *	1/1998	Manabe et al.	.....	396/535
6,035,128 *	3/2000	DeCecca et al.	.....	396/6

**OTHER PUBLICATIONS**

Extract of Catalogue of 1998 Japan Camera Show.

\* cited by examiner

*Primary Examiner*—Adir Aronovich

(74) *Attorney, Agent, or Firm*—Burns, Doane, Swecker & Mathis, LLP

(57) **CLAIM**

The ornamental design for a front portion of camera, as shown and described.

**DESCRIPTION**

FIG. 1 is a front perspective view of front portion of camera; FIG. 2 is another front perspective view thereof; FIG. 3 is a front view thereof; FIG. 4 is a rear view thereof; FIG. 5 is a left side view thereof; FIG. 6 is a right side view thereof; FIG. 7 is a top view thereof; and, FIG. 8 is a bottom view thereof.

Portions of the camera illustrated in broken lines are shown for environmental purposes only and form no part of the claimed design.

**1 Claim, 3 Drawing Sheets**

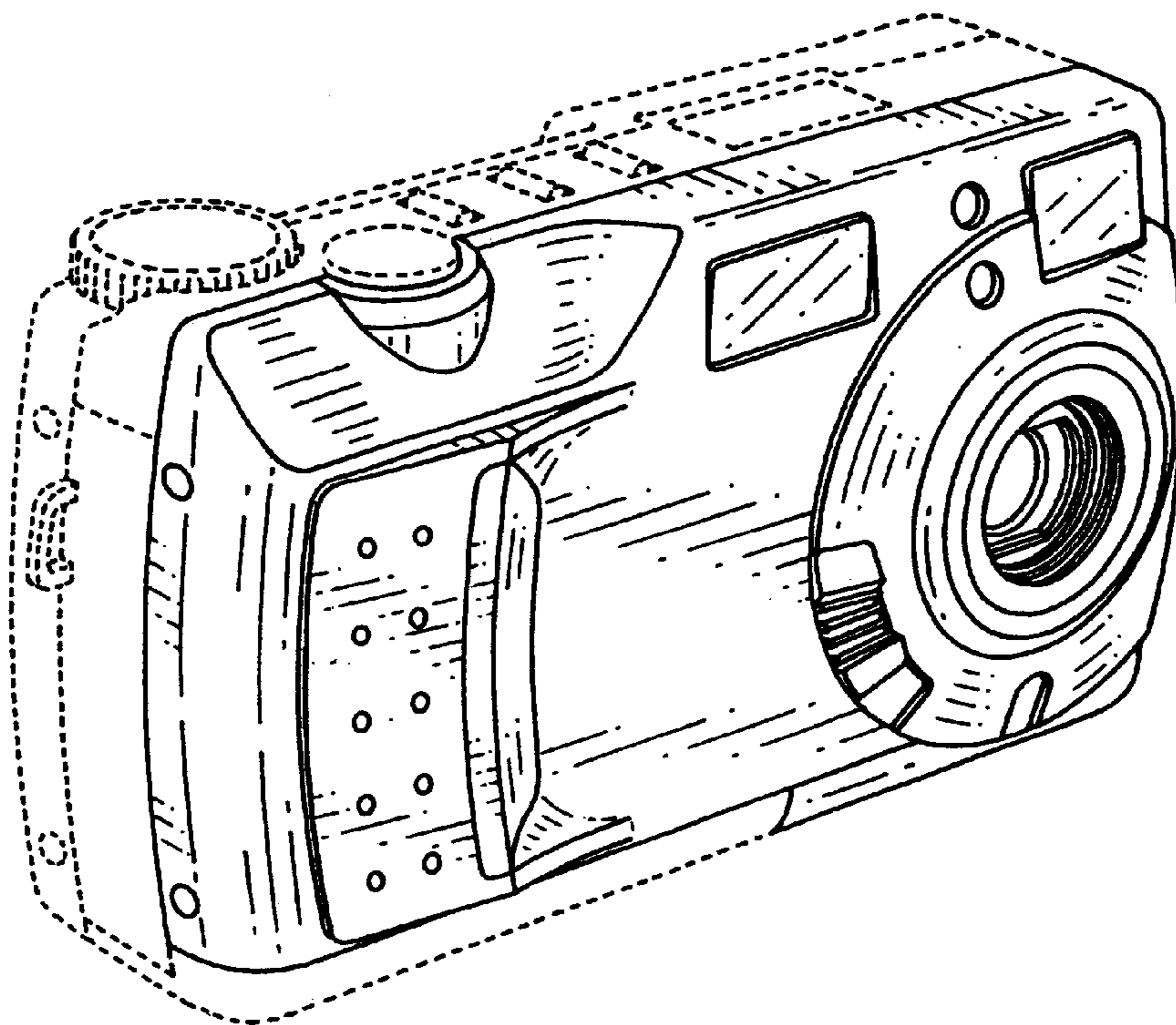


FIG. 1

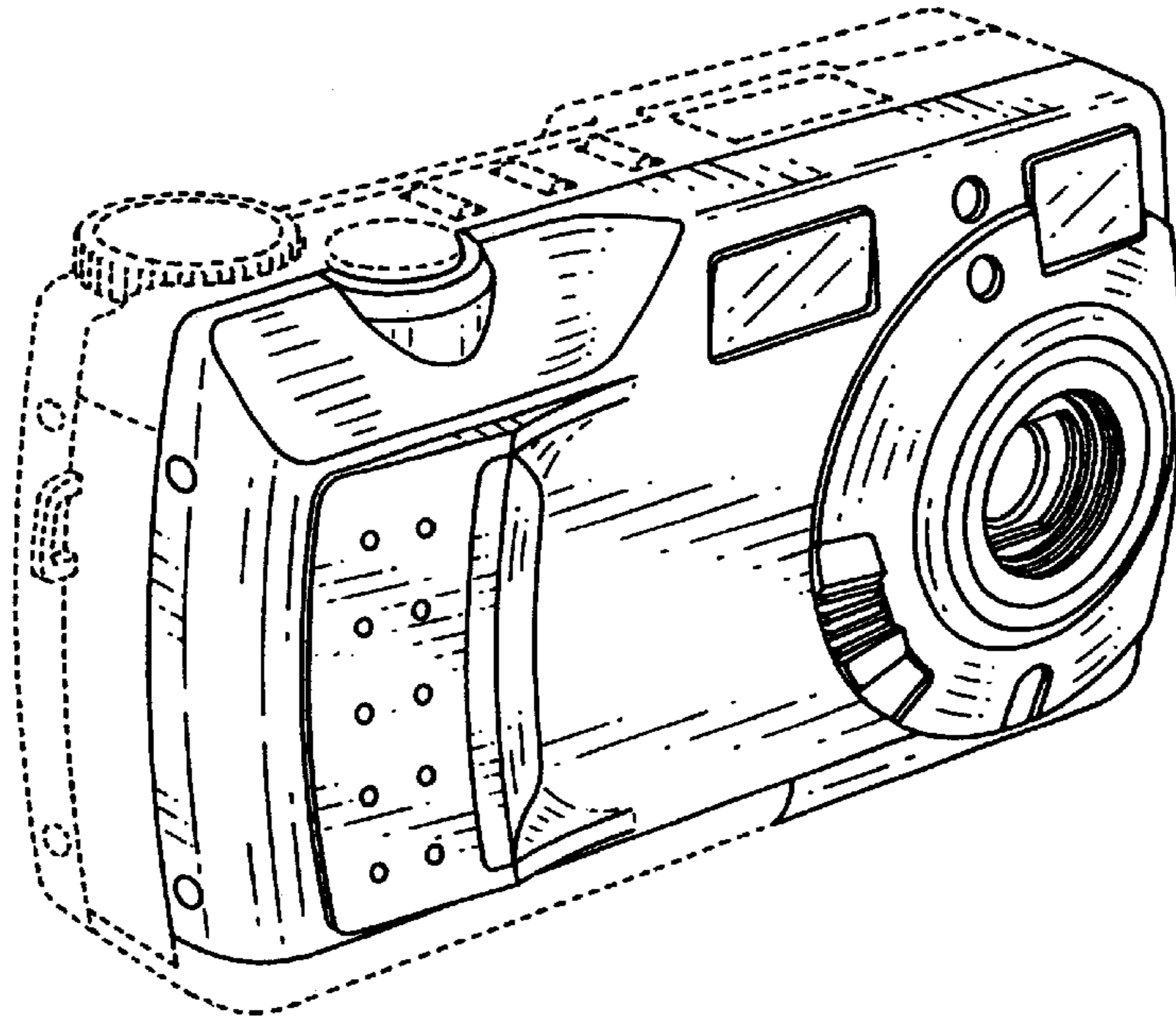


FIG. 2

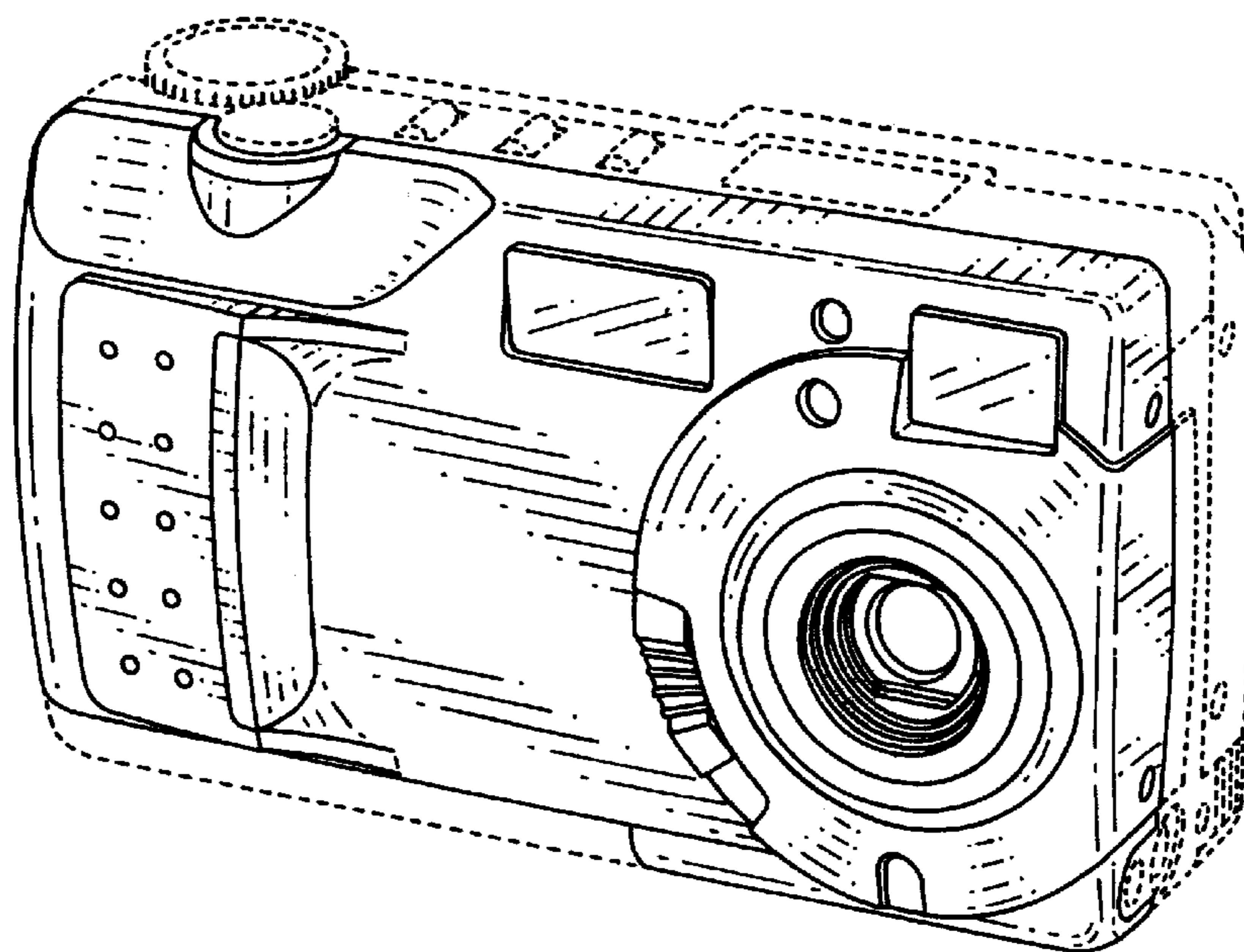


FIG. 3

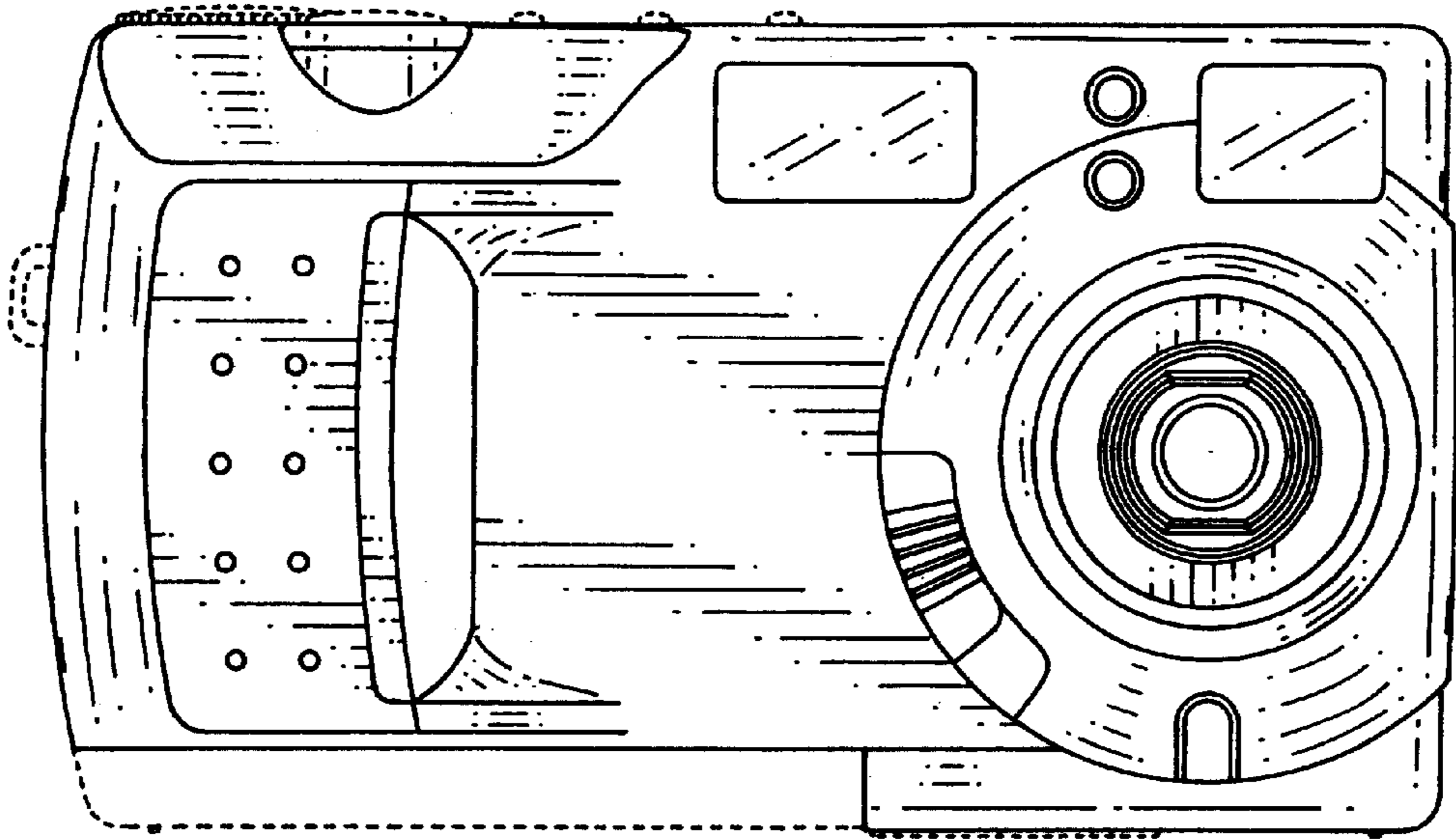


FIG. 4

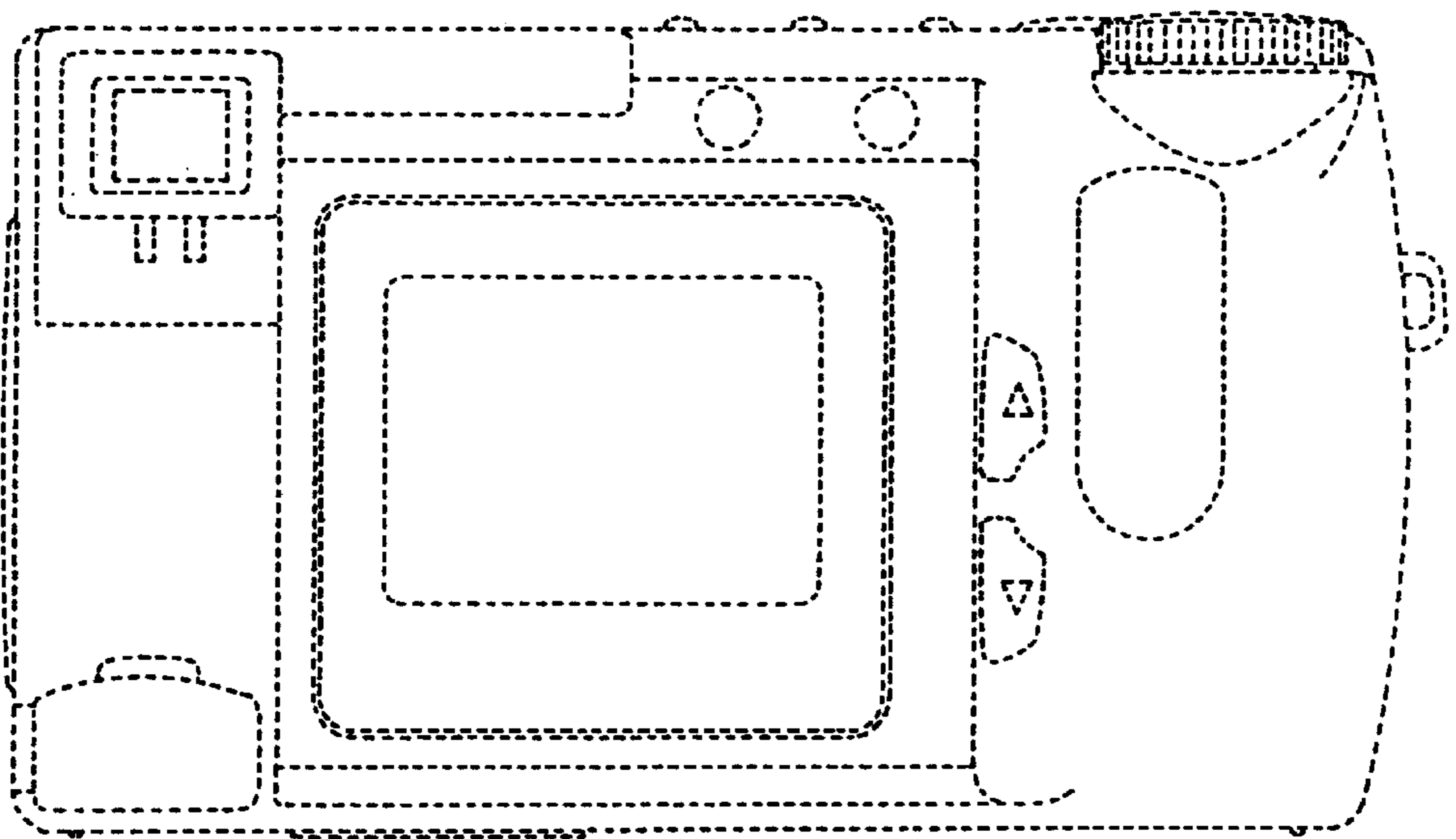




FIG. 5

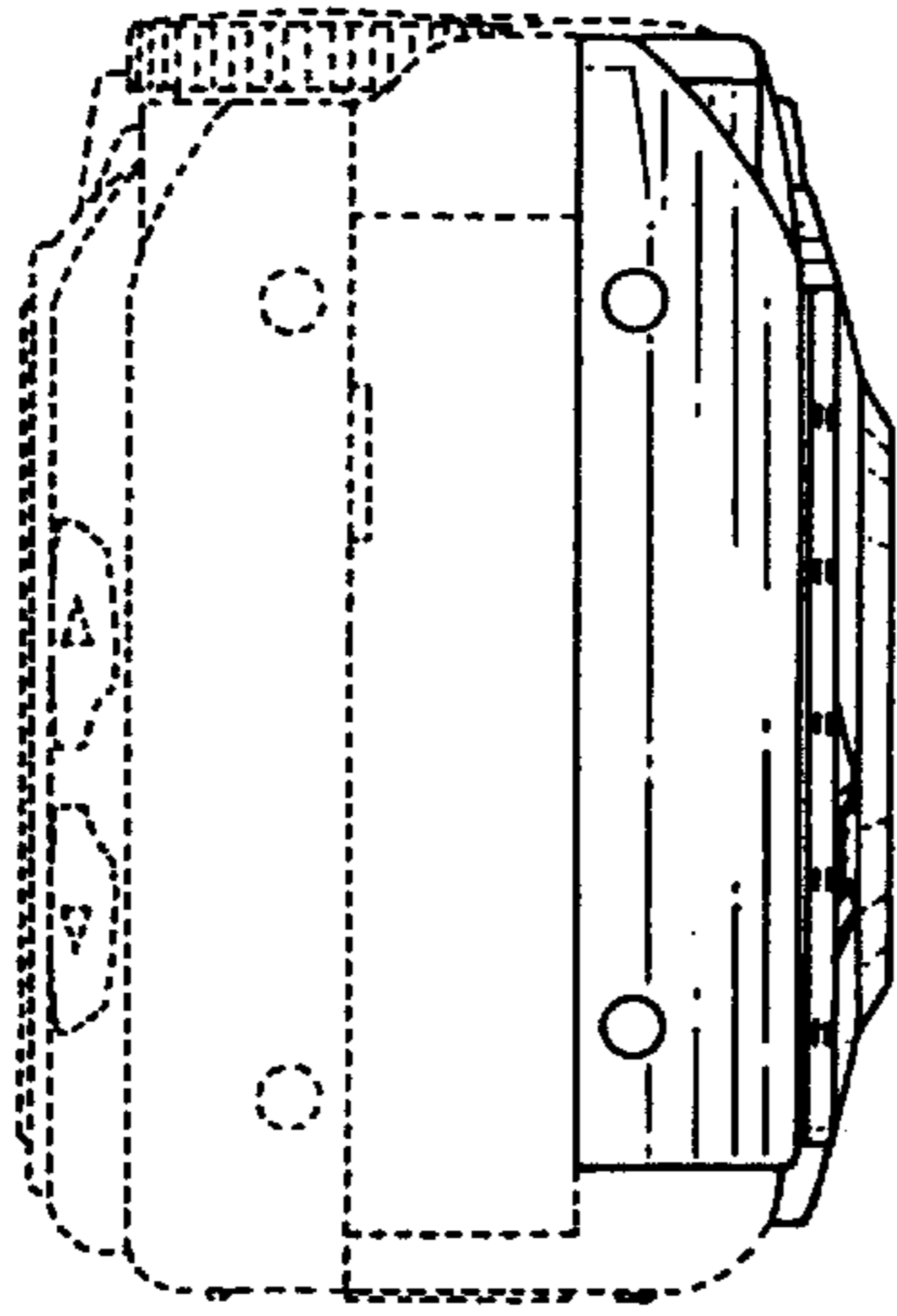


FIG. 6

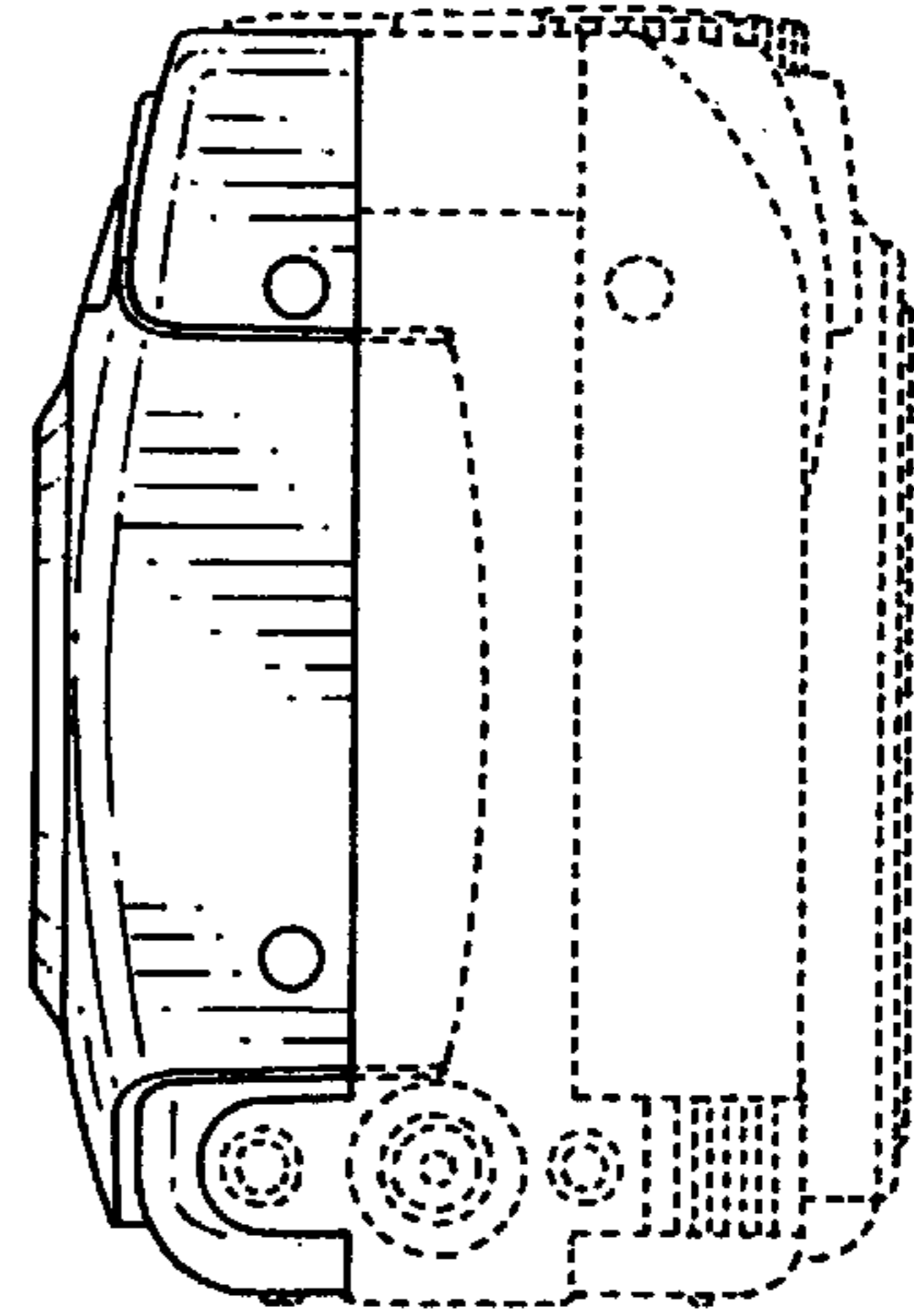


FIG. 7

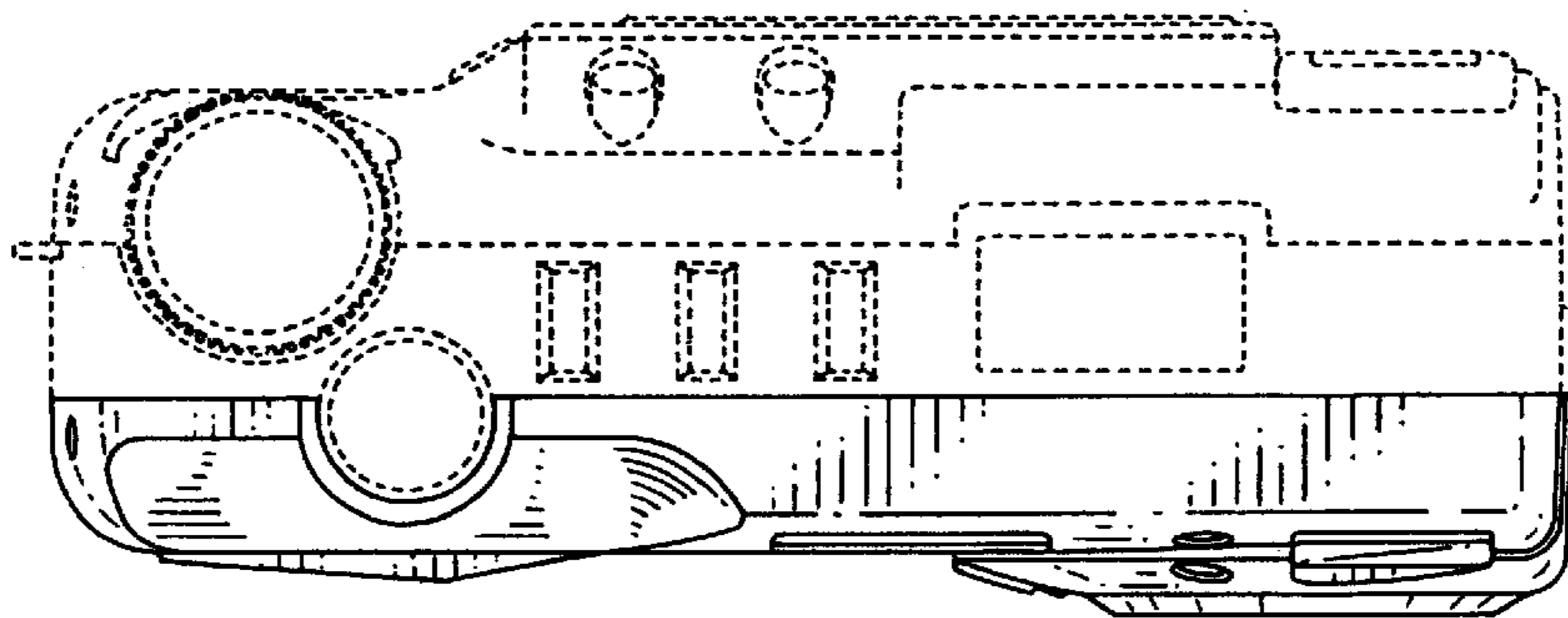


FIG. 8

