



US00D437868S

(12) **United States Design Patent**
Naito

(10) **Patent No.:** **US D437,868 S**

(45) **Date of Patent:** **** Feb. 20, 2001**

(54) **DIGITAL CAMERA**

4,557,574 * 12/1985 Kohno et al. 396/448

(75) Inventor: **Yoshitaka Naito, Ome (JP)**

OTHER PUBLICATIONS

(73) Assignee: **Olympus Optical Co., Ltd., Tokyo (JP)**

Olympus catalog of a digital camera Camedia C-900 Zoom published on Nov. 1, 1998.

(**) Term: **14 Years**

* cited by examiner

(21) Appl. No.: **29/120,184**

Primary Examiner—Adir Aronovich

(22) Filed: **Mar. 14, 2000**

(74) *Attorney, Agent, or Firm*—Hogan & Hartson LLP

(30) **Foreign Application Priority Data**

(57) **CLAIM**

Jan. 27, 2000 (JP) 12-001071

The ornamental design for a digital camera, as shown and described.

(51) **LOC (7) Cl.** **16-01**

DESCRIPTION

(52) **U.S. Cl.** **D16/212; D16/209; D16/202**

(58) **Field of Search** **D16/200-205, D16/208, 209, 211-213, 216-218; 396/448, 535-541**

FIG. 1 is a front elevational view of a digital camera, showing my new design;

FIG. 2 is a top plan view thereof;

FIG. 3 is a bottom plan view thereof;

FIG. 4 is a rear elevational view thereof;

FIG. 5 is a right side elevational view thereof;

FIG. 6 is a left side elevational view thereof;

FIG. 7 is a front elevational view thereof with a barrier in an open position and an electronic flashing unit set in a raised position; and,

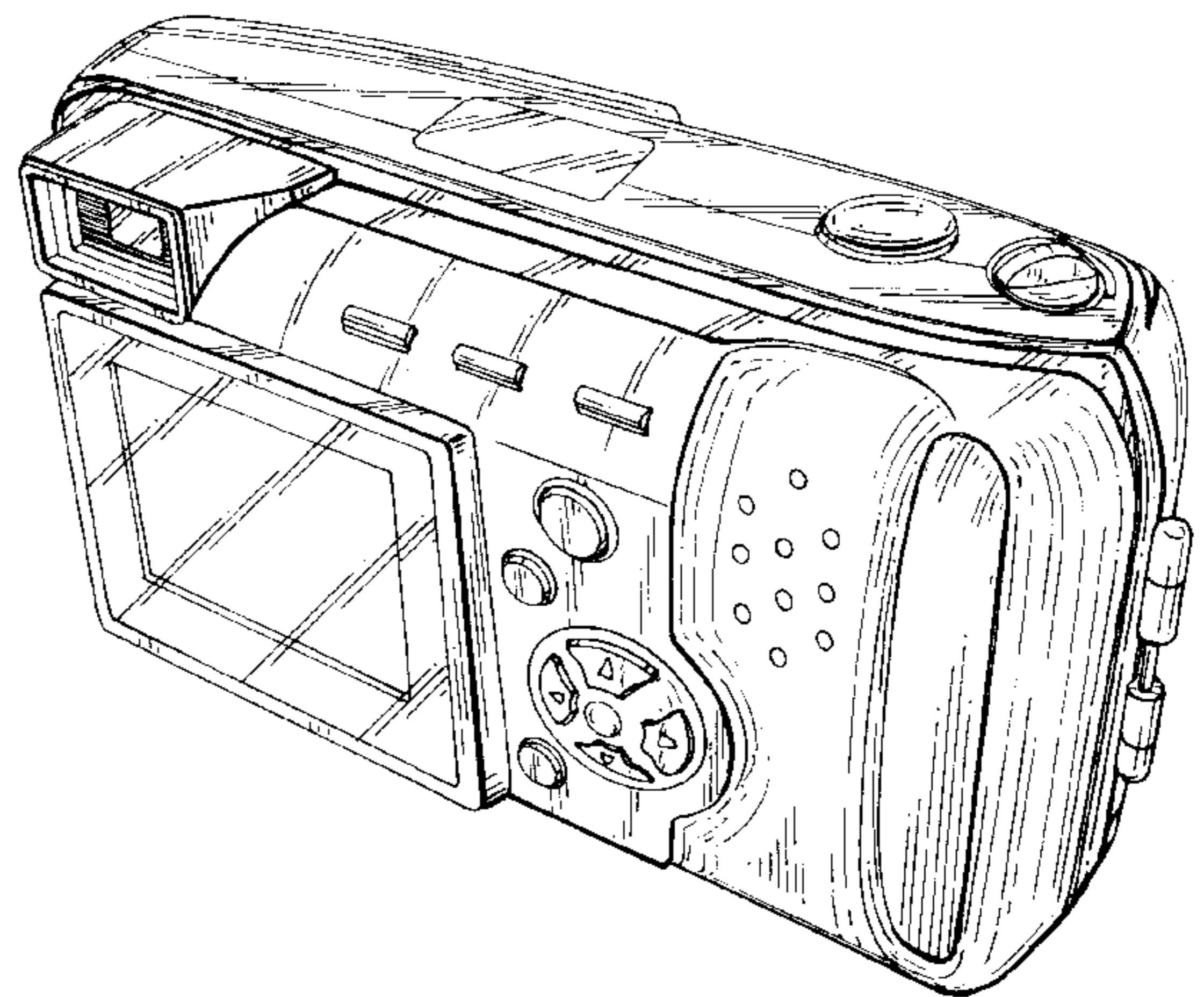
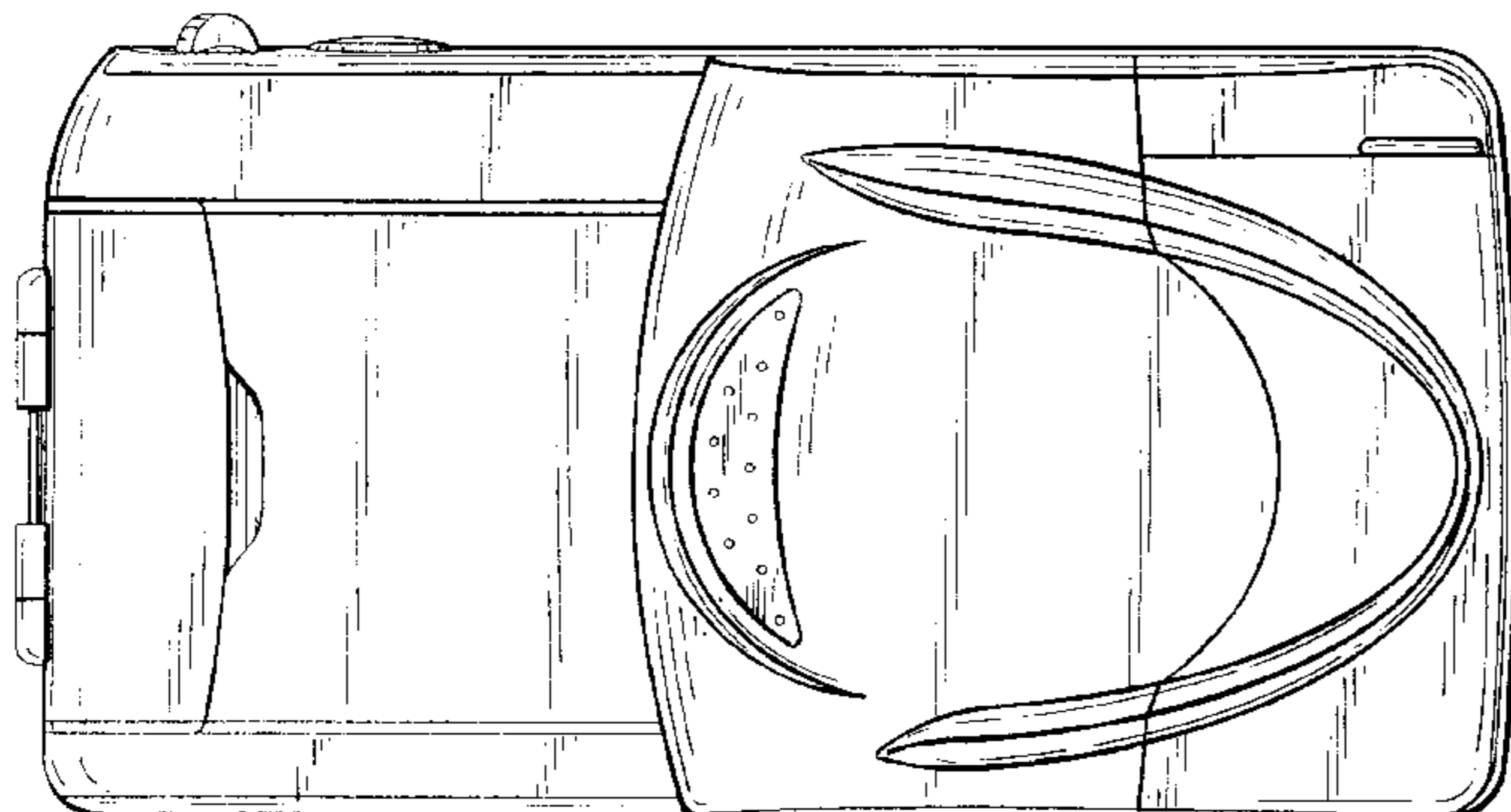
FIG. 8 is a rear, top and left side perspective view thereof.

(56) **References Cited**

U.S. PATENT DOCUMENTS

- D. 384,684 * 10/1997 Hamamura D16/209
- D. 397,129 * 8/1998 Eto et al. D16/209
- D. 410,019 * 5/1999 Shimobayashi et al. D16/209
- D. 412,516 * 8/1999 Yoshida D16/209
- D. 412,518 * 8/1999 Naito D16/212
- D. 415,511 * 10/1999 Funakoshi et al. D16/209
- D. 422,611 * 4/2000 Katayama et al. D16/202

1 Claim, 4 Drawing Sheets



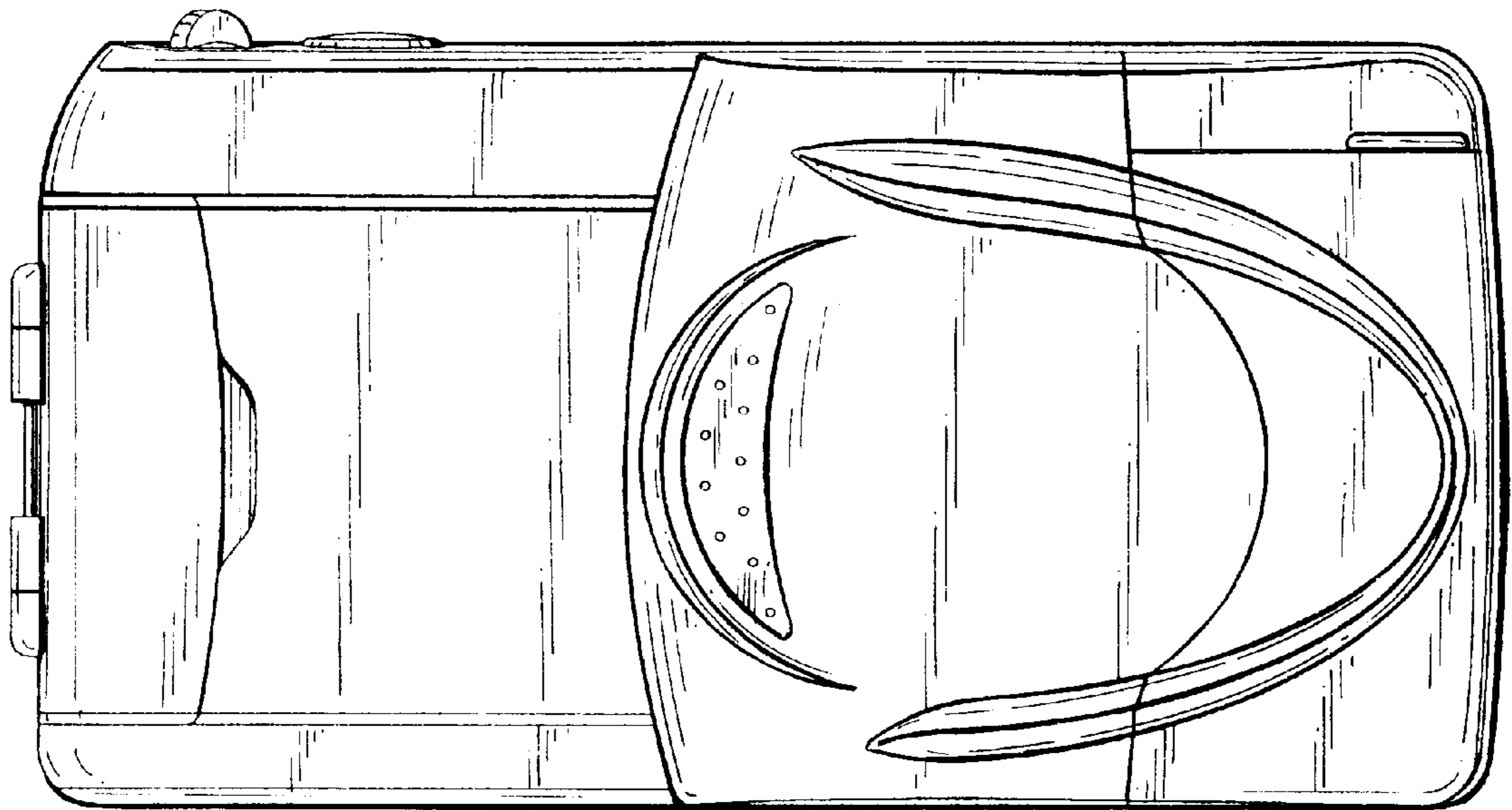


FIG. 1

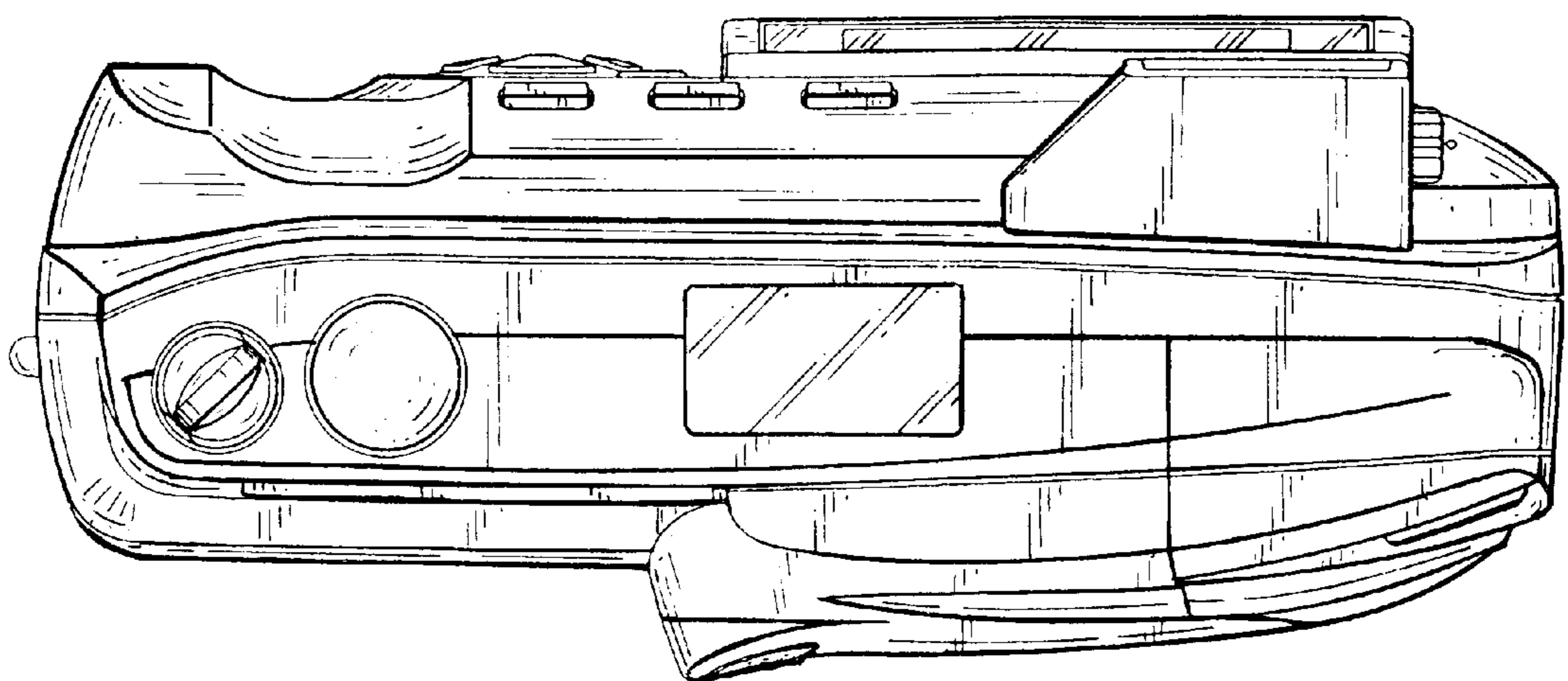


FIG. 2

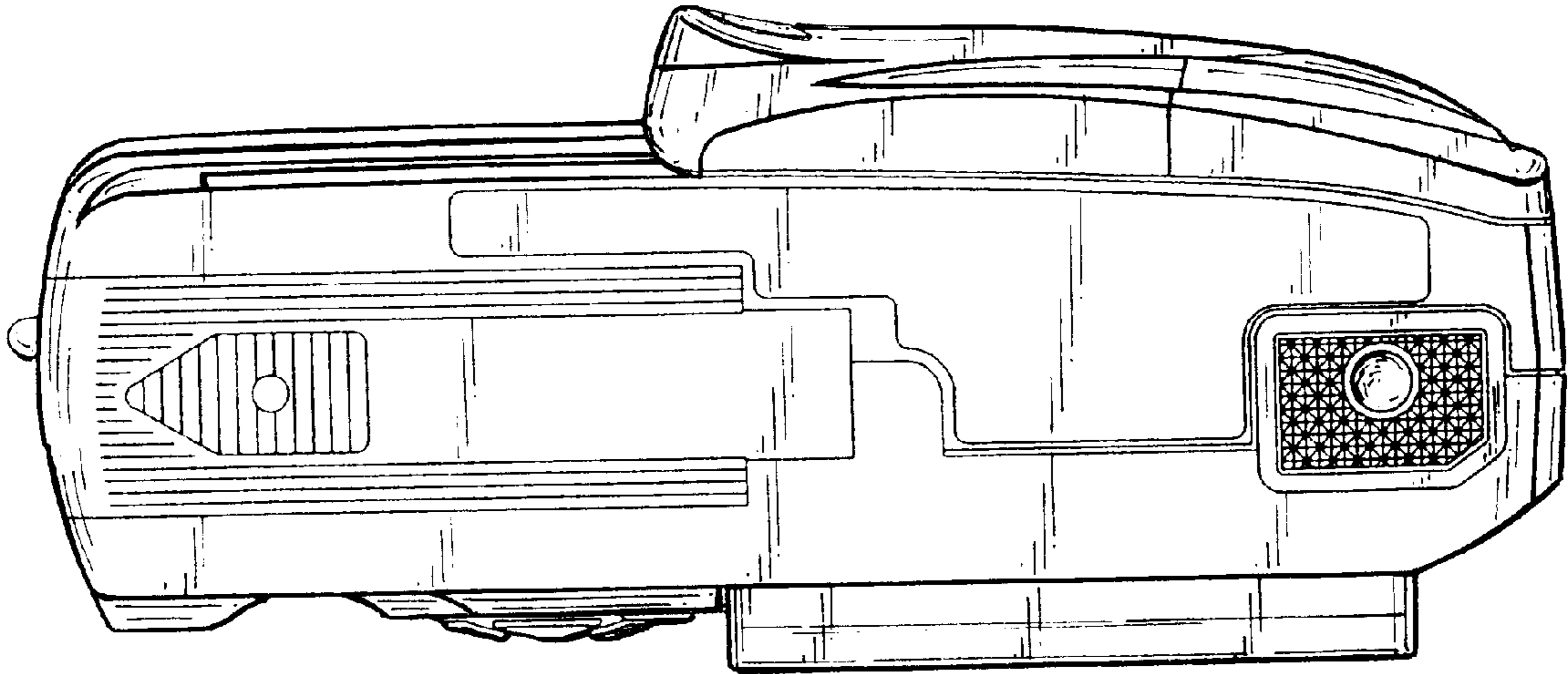


FIG. 3

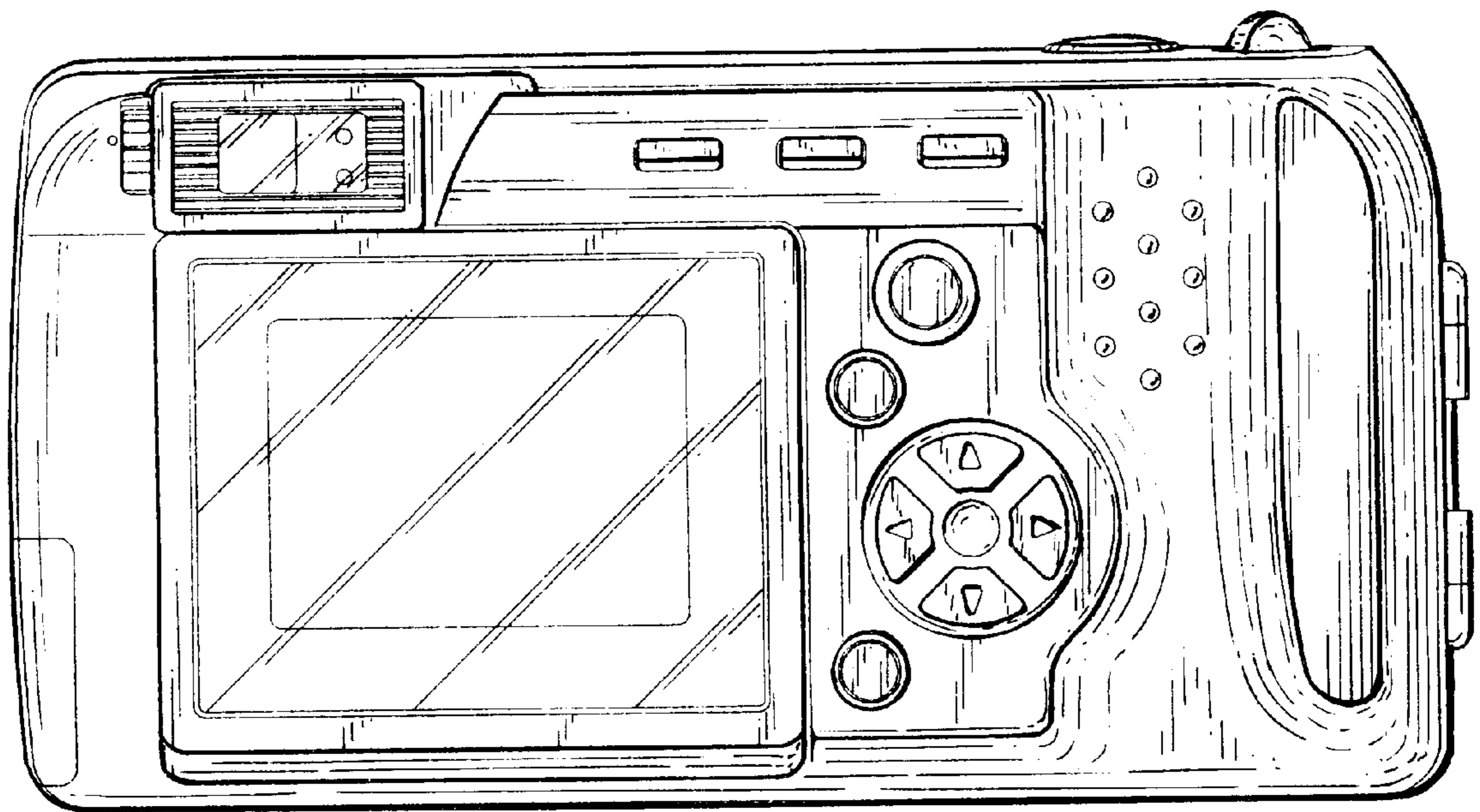


FIG. 4

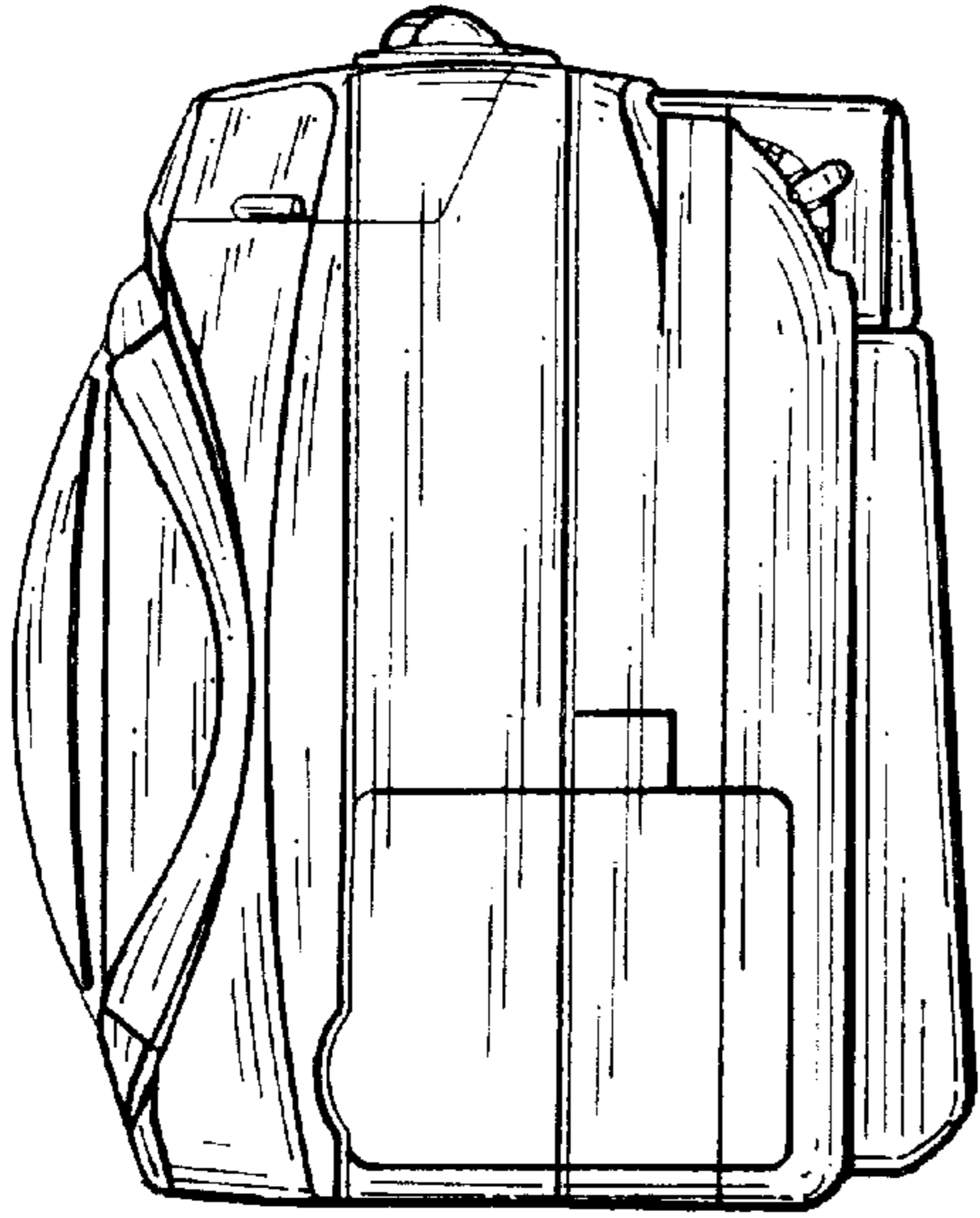


FIG. 5

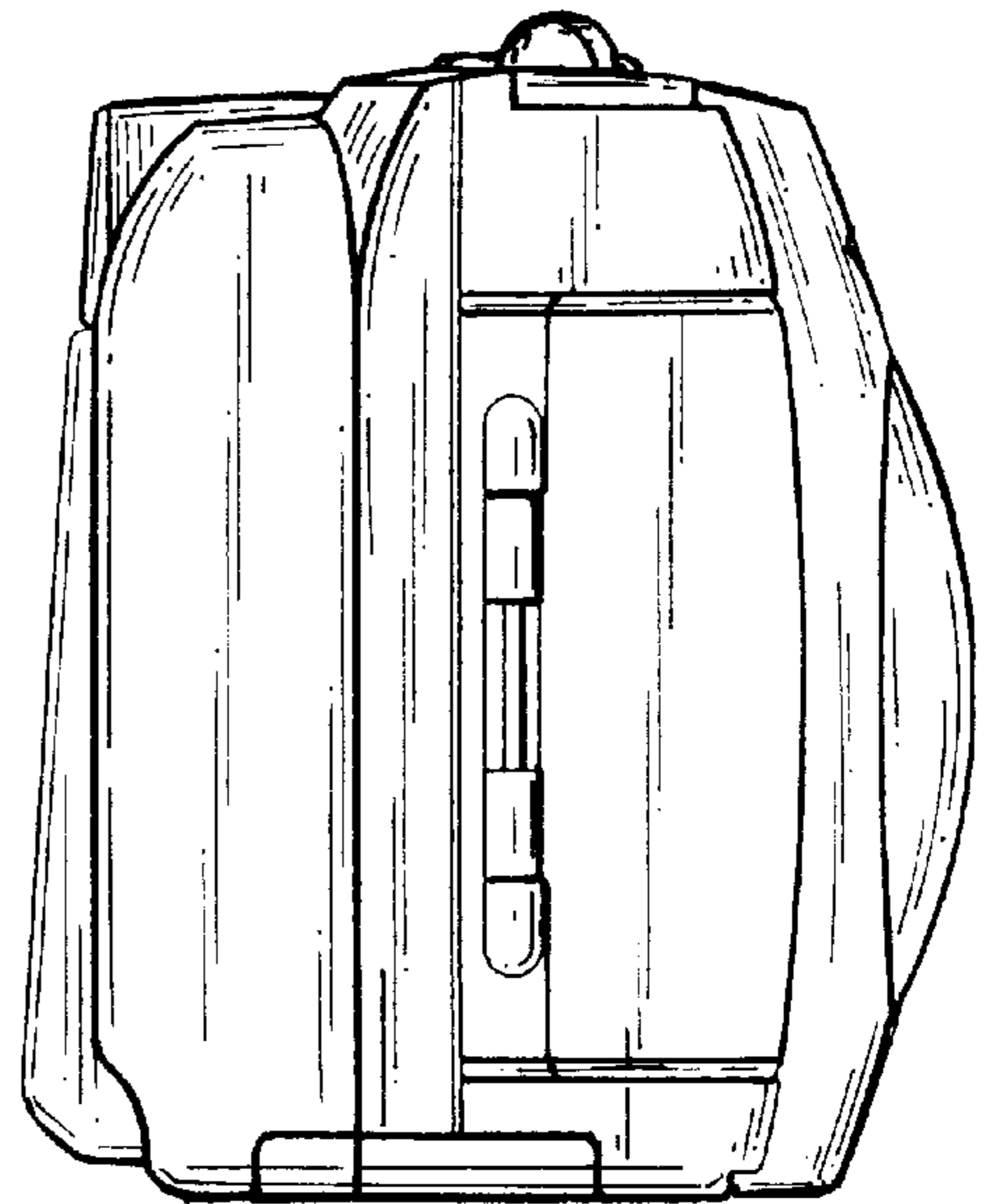


FIG. 6

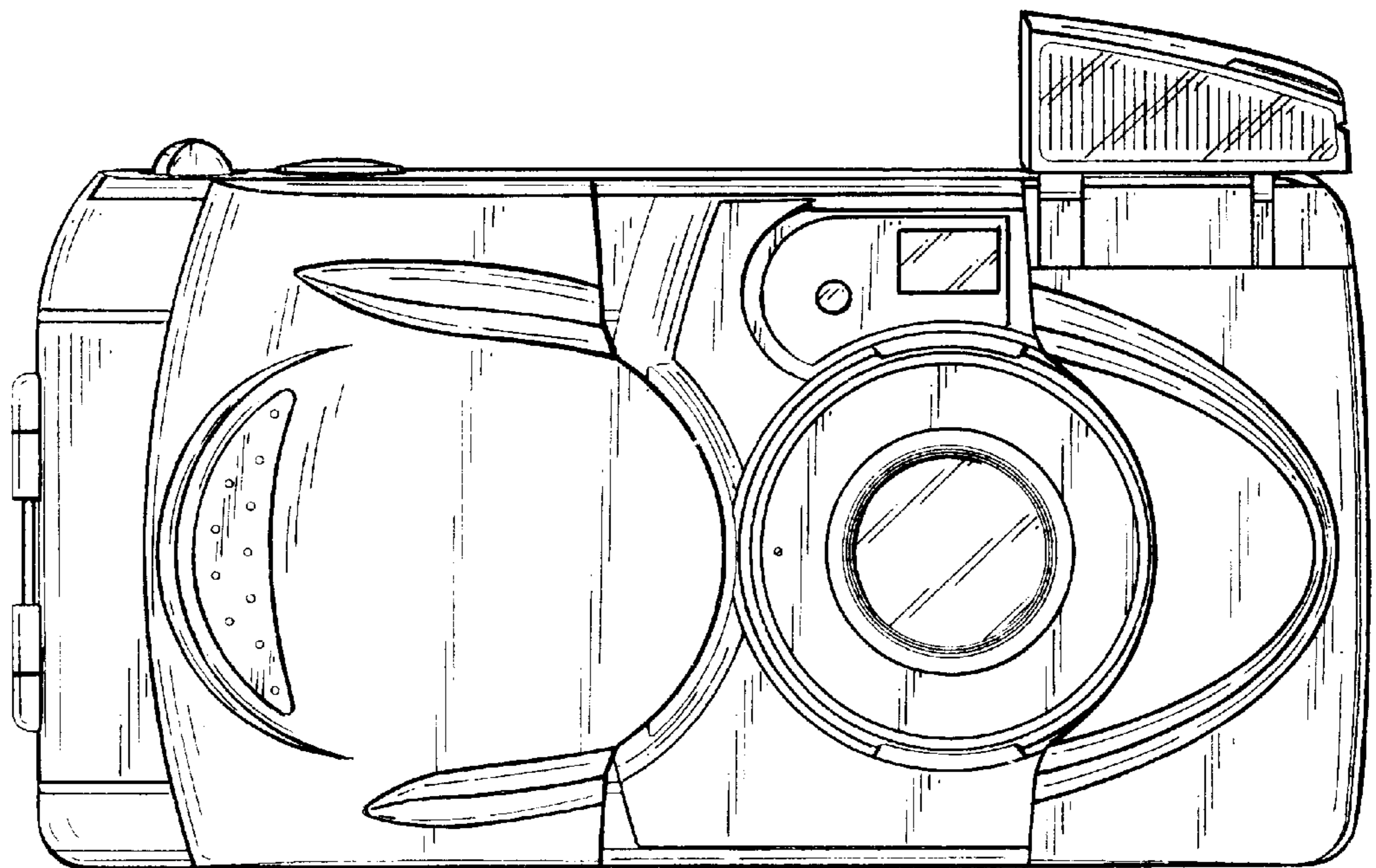


FIG. 7

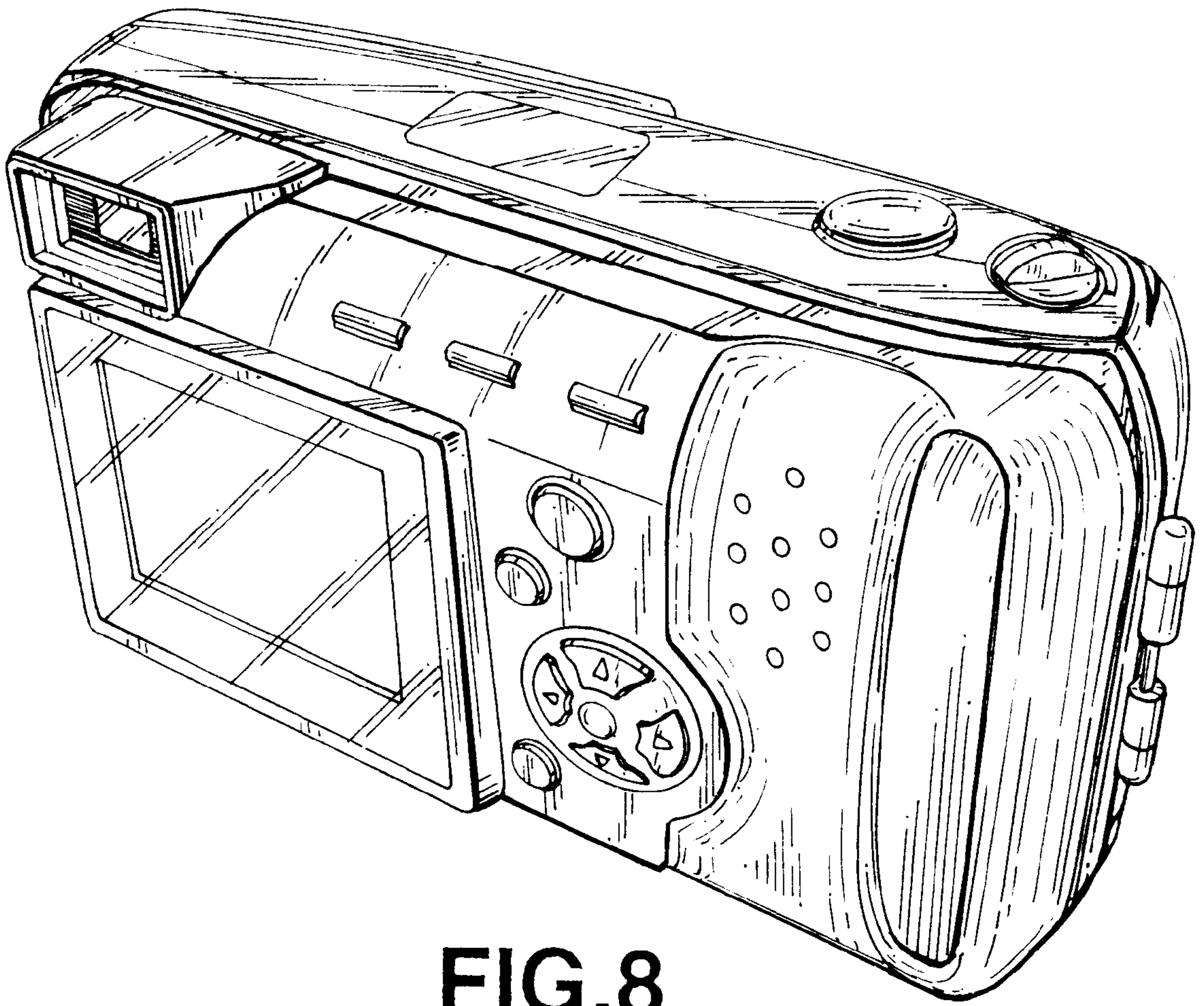


FIG.8